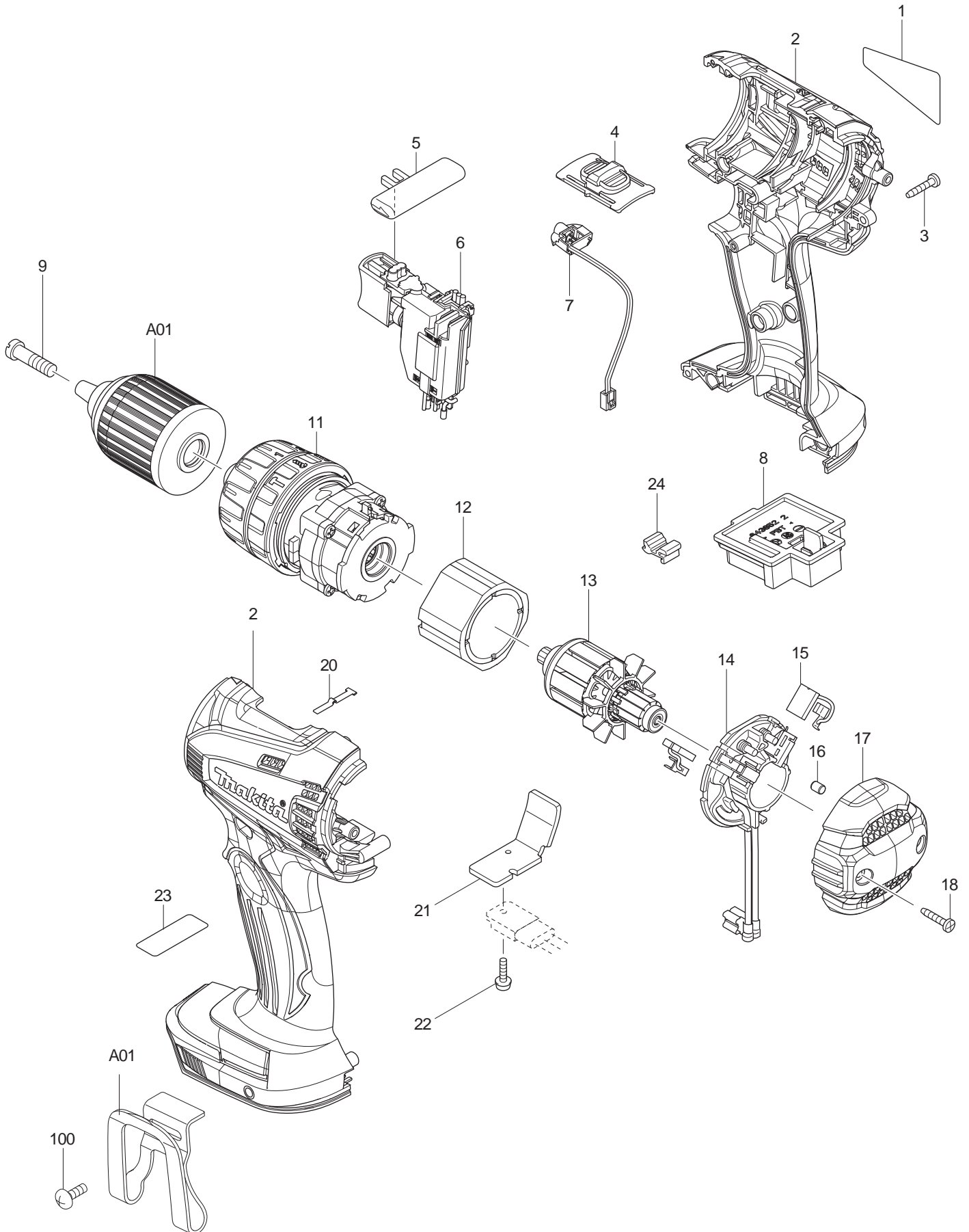




08 - 2010  
LXPH01 / LXPH01C1  
18V HAMMER DRIVER DRILL



Item No	Type	Ref	Part No	Description	Qty	Unit
1			868980-4	LXPH01 NAME PLATE	1	PC.
2			188971-2	HOUSING SET (BLUE)	1	PC.
		INC.	263005-3	RUBBER PIN 6	2	PC.
2A			188970-4	HOUSING SET (WHITE)	1	PC.
		INC.	263005-3	RUBBER PIN 6	2	PC.
3			266429-2	TAPPING SCREW 3X16	9	PC.
4	2		126289-3	SPEED CHANGE LEVER ASSY (OLD# 125832-5)	1	PC.
		INC.	233438-6	COMPRESSION SPRING 4	2	PC.
5			419250-0	F/R CHANGE LEVER	1	PC.
6	1		650637-9	SWITCH	1	PC.
	2		650731-7	SWITCH	1	PC.
7			620012-3	LED CIRCUIT	1	PC.
8			643852-2	TERMINAL	1	PC.
9			251468-5	- FLAT HEAD SCREW M6X22	1	PC.
11	1		125848-0	GEAR ASSEMBLY	1	PC.
	2		126460-9	GEAR ASSEMBLY	1	PC.
12	1		638611-7	YORK UNIT	1	PC.
	2		638425-4	YORK UNIT	1	PC.
13			619263-3	ARMATURE	1	PC.
14			638494-5	BRUSH HOLDER COMPLETE	1	PC.
15			195021-6	CARBON BRUSH CB-440 2PC/SET, W/ ORIGIN	1	SET
16			263032-0	RUBBER PIN 4	2	PC.
17			452205-2	REAR COVER (BLUE)	1	PC.
17A			452202-8	REAR COVER (WHITE)	1	PC.
18			266429-2	TAPPING SCREW 3X16	2	PC.
20			232182-2	LEAF SPRING	1	PC.
21			689170-4	HEAT SINK	1	PC.
22			911013-5	PAN HEAD SCREW M3X10	1	PC.
23			891618-6	CAUTION LABEL	1	PC.
24	1		424026-2	CUSHION	1	PC.
	2		424476-1	CUSHION	1	PC.
100			251314-2	+ SCREW M4X12(FOR HOOK & BIT HOLDER)	1	PC.
C01			871777-2	CARTON (FOR LXPH01)	1	PC.
C01B			871778-0	CARTON (FOR LXPH01C1)	1	PC.
C01C			871683-1	CARTON (FOR LXPH01Z)	1	PC.

### **ACCESSORIES**

- See Catalogue or visit [www.makita.ca](http://www.makita.ca) for more accessories information -

A01			766008-1	1/2" KEYLESS DRILL CHUCK HOOK, COMPACT BELT CLIP, BL1830/BL1430 (F/LXPH01, LXPH01Z)	1	PC.
A02	1		346317-0	HOOK, COMPACT BELT CLIP, 18V, 14.4V LI-ION BATTERY	1	PC.
	2		346449-3	HOOK, COMPACT BELT CLIP, 18V, 14.4V LI-ION BATTERY	1	PC.
	Opt. 1		324705-1	HOOK F/ BL1430, BL1830 (F/LXPH01, LXPH01Z)	1	PC.
	Opt. 2		346449-3	HOOK F/ BL1430, BL1830 (F/LXPH01, LXPH01Z)	1	PC.
A02B	1		346034-2	HOOK F/BL1415, BL1815 (F/LXPH01C1, LXPH01CX1)	1	PC.
	2		346449-3	HOOK, COMPACT BELT CLIP, 18V, 14.4V LI-ION BATTERY	1	PC.
A03			784637-8	+ - BIT 2-45	1	PC.
A04	1		140756-4	PLASTIC CARRYING CASE COM. (BL1830)	1	PC.
		INC.	162302-3	LATCH	2	PC.
		INC.	324207-7	SHAFT	1	PC.
		INC.	451749-9	HANDLE	1	PC.
	2		824812-5	PLASTIC CARRYING CASE (BLOW MOLD)	1	PC.
A04	Opt.1		824953-7	PLASTIC CARRYING CASE	1	PC.
		INC.	162302-3	LATCH	2	PC.
		INC.	324207-7	SHAFT	1	PC.
		INC.	451749-9	HANDLE	1	PC.
	Opt.2		821521-7	PLASTIC CARRYING CASE	1	PC.
		INC.	162302-3	LATCH	2	PC.
		INC.	324207-7	SHAFT	1	PC.
		INC.	451749-9	HANDLE	1	PC.
	Opt.3		141856-3	PLASTIC CARRYING CASE	1	PC.
		INC.	162302-3	LATCH	2	PC.
		INC.	324207-7	SHAFT	1	PC.
		INC.	451749-9	HANDLE	1	PC.
A05			450128-8	BATTERY COVER	1	PC.
A06	1		DC18RA	CHARGER DC18RA (LXPH01)	1	PC.
	2		DC18RC	CHARGER DC18RC (LXPH01)	1	PC.
			DC18RAKIT	BATTERY BL1830+CHARGER DC18RA KIT	1	PC.
			DC18SD	CHARGER DC18SD (LXPH01C1)	1	PC.
			DC18SE	AUTOMOTIVE CHARGER DC18SE	1	PC.

Item No	Type	Ref	Part No	Description	Qty	Unit
A07			194205-3	18V LI-ION BATTERY BL1830 (LXPH01)	1	PC.
			194230-4	18V LI-ION BATTERY BL1830 2/PK	2	PK
			194309-1	18V LI-ION BATTERY BL1815 (LXPH01C1)	1	PC.
			194428-3	18V LI-ION BATTERY BL1815 2/PK	2	PK
A09	1		419276-2	BIT HOLDER	1	PC.
	2		452947-8	BIT HOLDER	1	PC.