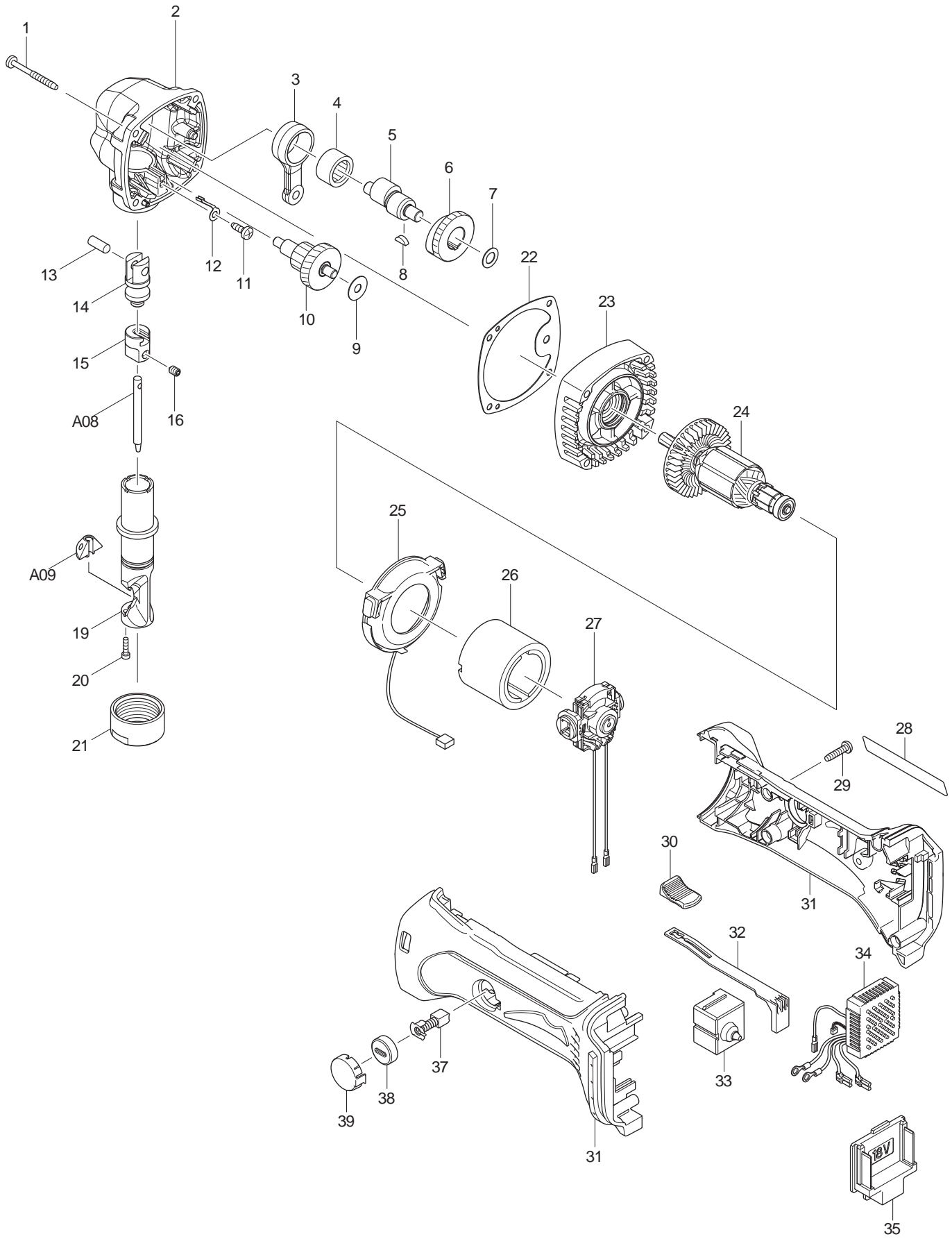




09 - 2012  
LXNJ01 / LXNJ01Z  
18V 16 GAUGE NIBBLER



Item No.	Type	Sub	Part No.	Description	Qty	Unit
1			266048-4	TAPPING SCREW 4X40	4	PC.
2			141878-3	GEAR HOUSING COMPLETE	1	PC.
		INC.	800P78-7	INDICATION LABEL, PICTURE	1	PC.
3			331438-1	ROD	1	PC.
4			212222-2	NEEDLE BEARING 1612	1	PC.
5			326249-7	CRANK SHAFT	1	PC.
6			227314-4	SPUR GEAR 31	1	PC.
7			253215-0	FLAT WASHER 8	1	PC.
8			254002-0	WOODRUFF KEY 3	1	PC.
9			267133-6	FLAT WASHER 6	1	PC.
10			226158-9	GEAR COMPLETE 16-36	1	PC.
11			266026-4	TAPPING SCREW BIND CT 4X12	1	PC.
12			344116-4	STOPPER	1	PC.
13			256111-1	PIN 6	1	PC.
14			322703-9	RAM	1	PC.
15			322702-1	PUNCH HOLDER	1	PC.
16			265880-3	H.S.SET SCREW(CONE POINT)M5X8	1	PC.
19			322701-3	DIE HOLDER	1	PC.
20			266080-8	HEX. SOCKET HEAD BOLT M3X12	2	PC.
21			322748-7	LOCK NUT	1	PC.
22			442191-5	GASKET	1	PC.
23			141877-5	GEAR HOUSING COVER COMPLETE	1	PC.
		INC.	213961-7	O RING 22	1	PC.
24			619312-6	ARMATURE	1	PC.
25			631714-6	LED CIRCUIT	1	PC.
26		1	638376-1	YOKE UNIT	1	PC.
		2	638627-2	YOKE UNIT	1	PC.
27			638448-2	ENDBELL COMPLETE	1	PC.
28			814B75-3	NAME PLATE F/LXNJ01	1	PC.
29			265995-6	TAPPING SCREW 4X18	5	PC.
30			419566-3	SWITCH KNOB	1	PC.
31			188736-2	HOUSING SET	1	SET
		INC.	263005-3	RUBBER PIN 6	2	PC.
32			419519-2	SWITCH LEVER	1	PC.
33			650579-7	SWITCH 1246.3223, SINGLE	1	PC.
34			620072-5	CONTROLLER	1	PC.
35			643812-4	TERMINAL	1	PC.
37			195018-5	CARBON BRUSH CB-430 2PC/SET W/ORIGIN	1	SET
38			643929-3	BRUSH HOLDER CAP	2	PC.
39			419518-4	HOLDER CAP COVER	2	PC.
E01			810531-9	CAUTION LABEL EN/FR/SP	1	PC.
C01			874422-8	CARTON for LXNJ01Z	1	PC.
D01			652045-0	+PAN HEAD SCREW M3.5X5	2	PC.

#### **ACCESSORIES**

- See Catalogue or visit [www.makita.ca](http://www.makita.ca) for more accessories information -

A01			781028-4	WRENCH 32	1	PC.
A02			783208-8	HEX. WRENCH 2.5	1	PC.
A03		1	DC18RA	CHARGER DC18RA	1	PC.
		2	DC18RC	CHARGER DC18RC	1	PC.
			DC18SD	CHARGER DC18SD	1	PC.
			DC24SC	CHARGER DC24SC	1	PC.
			DC18SE	AUTOMOTIVE CHARGER CHARGER DC18SE	1	PC.
			DC18RAKIT	CHARGER DC18RA + BATTERY BL1830 KIT	1	SET
A04			194205-3	18V LI-ION BATTERY BL1830	1	PC.
			194230-4	18V LI-ION BATTERY BL1830 2PC/PK	1	PK.
			194205-3	18V LI-ION BATTERY BL1830 10PC/PK	1	PK.
A05			450128-8	BATTERY COVER	1	PC.

<b>Item No.</b>	<b>Type</b>	<b>Sub</b>	<b>Part No.</b>	<b>Description</b>	<b>Qty</b>	<b>Unit</b>
A06		1	821567-3	PLASTIC CARRYING CASE	1	PC.
		INC.	162315-4	LATCH	2	PC.
		2	142004-7	PLASTIC CARRYING CASE	1	PC.
		INC.	162315-4	LATCH	2	PC.
A08			A-83951	PUNCH, TITAN	1	PC.
A09			A-15051	DIE	1	PC.