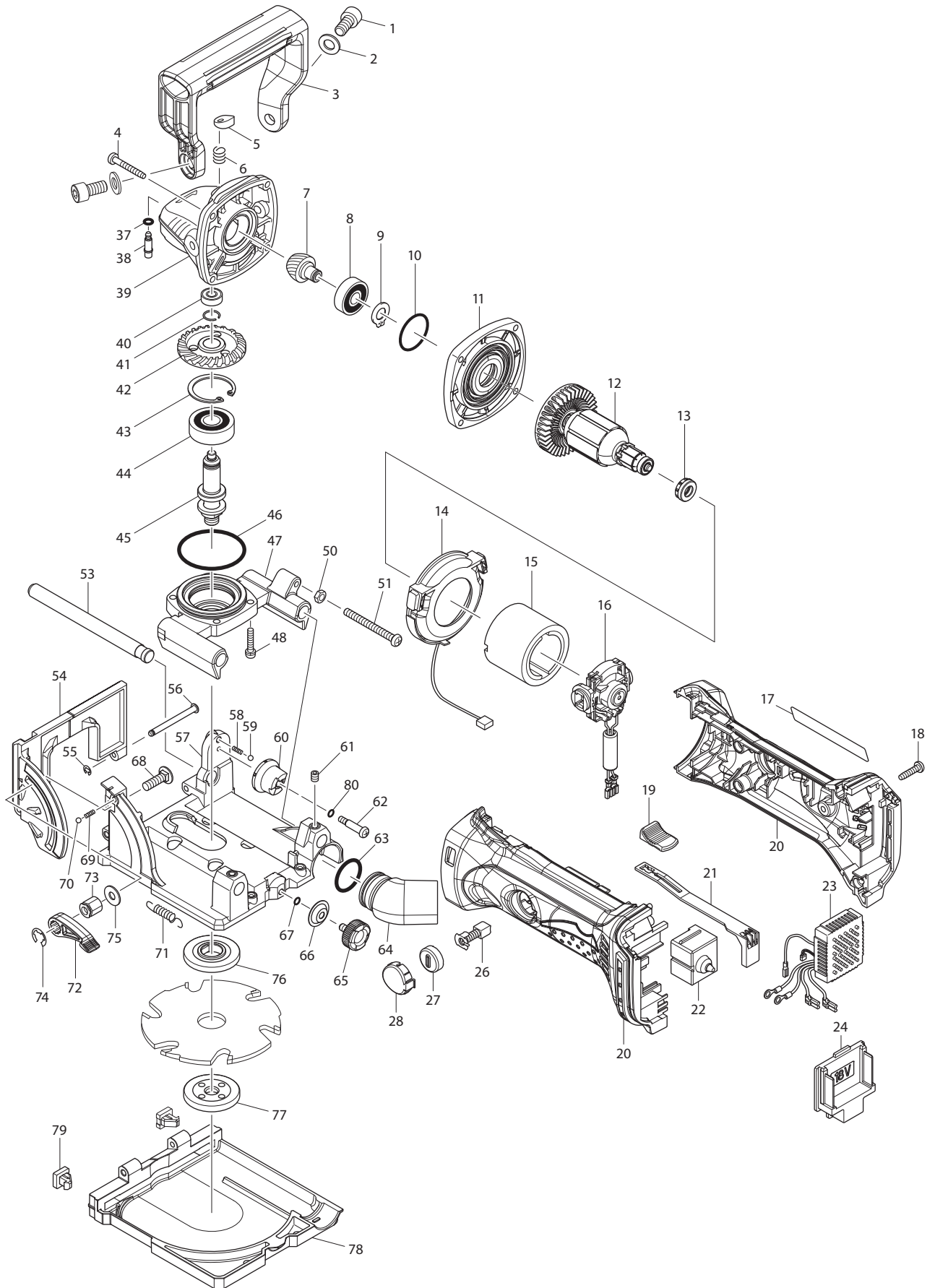




03 - 2012
LXJP02 / LXJP02Z
18V PLATE JOINER



Item No.	Type	Sub	Part No.	Description	Qty	Unit
1			922422-3	HEX. SOCKET HEAD BOLT M8X16	2	PC.
2			941202-8	FLAT WASHER 8	2	PC.
3			453219-4	GRIP	1	PC.
4			266361-0	TAPPING SCREW 4X30	4	PC.
5			417771-6	PIN CAP	1	PC.
6			233072-2	COMPRESSION SPRING 8	1	PC.
7			227597-6	SPIRAL BEVEL GEAR 11	1	PC.
8			210042-8	BALL BEARING 629LLB	1	PC.
9			961005-4	RETAINING RING S-9	1	PC.
10			213445-5	O-RING 26	1	PC.
11			317821-6	GEAR HOUSING COVER	1	PC.
12			619295-0	ARMATURE	1	PC.
		INC.		Item No. 7-11		
13			421977-0	RUBBER RING 13	1	PC.
14			631714-6	LED CIRCUIT	1	PC.
15		1	638376-1	YOKE UNIT	1	PC.
		2	638627-2	YOKE UNIT	1	PC.
16			638448-2	ENDBELL COMPLETE	1	PC.
17			896983-8	NAME PLATE FOR LXJP02	1	PC.
18			266326-2	TAPPING SCREW 4X18	5	PC.
19			419566-3	SWITCH KNOB	1	PC.
20			188704-5	HOUSING SET	1	SET
21			419519-2	SWITCH LEVER	1	PC.
22			650579-7	SWITCH 1246.3223, SINGLE	1	PC.
23			620072-5	CONTROLLER	1	PC.
24			643812-4	TERMINAL	1	PC.
26			195018-5	CARBON BRUSH CB-430 2PC/SET (W/ORIGIN)	1	SET
27			643954-4	BRUSH HOLDER CAP	2	PC.
28			419518-4	HOLDER CAP COVER	2	PC.
37			213960-9	O RING 5	1	PC.
38			256496-5	SHOULDER PIN 4	1	PC.
39			141400-6	GEAR HOUSING COMPLETE	1	PC.
		INC.	263002-9	RUBBER PIN 4	1	PC.
40			210033-9	BALL BEARING 696ZZ	1	PC.
41			233950-6	RING SPRING 11	1	PC.
42			227598-4	SPIRAL BEVEL GEAR 36	1	PC.
43			962151-6	RETAINING RING R-32	1	PC.
44			211129-9	BALL BEARING 6201DDW	1	PC.
45			326120-5	SPINDLE	1	PC.
46			213622-9	O RING 45	1	PC.
47			318812-0	BEARING BOX	1	PC.
48			911136-9	PAN HEAD SCREW M4X20	4	PC.
50			931203-4	HEX. NUT M5	1	PC.
51			266741-0	PAN HEAD SCREW M5X50	1	PC.
53			326145-9	ROD 10	2	PC.
54			141247-8	FENCE COMPLETE	1	PC.
55			961017-7	STOP RING E-3	2	PC.
56			256689-4	PIN 4	2	PC.
57			318813-8	BASE	1	PC.
58			231282-5	COMPRESSION SPRING 2.4	1	PC.
59			216001-0	STEEL BALL 3.5	1	PC.
60			318814-6	STOPPER	1	PC.
61			266264-8	H.S.SET SCREW(FLAT POINT)M5X6	2	PC.
62			266738-9	+PAN HEAD SCREW M4	1	PC.
63			213008-7	O RING 22.4	1	PC.
64			415252-4	DUST NOZZLE	1	PC.
65			265785-7	THUMB SCREW M5X10	1	PC.

Item No.	Type	Sub	Part No.	Description	Qty	Unit
66			232131-9	LEAF SPRING	1	PC.
67			213023-1	O RING 4	1	PC.
68			266737-1	FLAT HEAD SQ. NECK BOLT M6X20	1	PC.
69			231282-5	COMPRESSION SPRING 2.4	1	PC.
70			216001-0	STEEL BALL 3.5	1	PC.
71			231795-6	TENSION SPRING 8	2	PC.
72			272263-0	LEVER 40	1	PC.
73			252159-1	HEX. NUT M6	1	PC.
74			961014-3	STOP RING E-8	1	PC.
75			253804-1	FLAT WASHER 6	1	PC.
76			224280-6	INNER FLANGE 40	1	PC.
77			224505-8	LOCK NUT 10-40	1	PC.
78			318845-5	BLADE COVER	1	PC.
79			424479-5	RUBBER SPIKE	2	PC.
80			213023-1	O RING 4	1	PC.
C01			873069-5	CARTON FOR LXJP02Z	1	PC.
C01A			873650-2	CARTON FOR LXJP02	1	PC.
D01			652045-0	+PAN HEAD SCREW M3.5X5	2	PC.
E01			898285-8	CAUTION LABEL EN/FR/SP	1	PC.

ACCESSORIES

- See catalogue or visit www.makita.ca for more optional accessories -

A01			123148-2	ANGLE GUIDE ASSY (See Parts Breakdown 123148-2)	1	PC.
		INC.	266736-3	HEX BOLT M6X20	1	PC.
		INC.	317049-6	CLAMP	1	PC.
		INC.	141245-2	ANGLE GUIDE COMPLETE (N/A as individually)	1	PC.
		INC.	253804-1	FLAT WASHER 6	1	PC.
		INC.	272263-0	LEVER 40	1	PC.
		INC.	252159-1	HEX. NUT M6	1	PC.
		INC.	961014-3	STOP RING E-8	1	PC.
		INC.	271616-0	THUMB 20	1	PC.
	1	INC.	232130-1	LEAF SPRING TYPE 1	1	PC.
	2	INC.	232278-9	LEAF SPRING TYPE 2 (TYPE 1# 232130-1)	1	PC.
		INC.	253186-1	FLAT WASHER 7	1	PC.
		INC.	226217-9	SPUR GEAR 16	1	PC.
		INC.	961017-7	STOP RING E-3	2	PC.
A02			123150-5	DUST BAG ASSEMBLY	1	PC.
		INC.	410602-8	FASTENER	1	PC.
A03			415579-2	SET PLATE 4	1	PC.
A04			A-95118	4" C.T. CUTTER BLADE 6T, 22M	1	PC.
A05			782401-1	LOCK NUT WRENCH 20	1	PC.
A06	1		DC18RA	CHARGER DC18RA	1	PC.
	2		DC18RC	CHARGER DC18RC	1	PC.
A07			194205-3	18V LI-ION BATTERY BL1830	1	PC.
A08			450128-8	BATTERY COVER	1	PC.
A09	1		821522-5	PLASTIC CARRYING CASE	1	PC.
		INC.	162315-4	LATCH	2	PC.
		INC.	452137-3	HANDLE	1	PC.
		INC.	452143-8	SHAFT	2	PC.
		INC.	453489-5	INSIDE LID	1	PC.
	2		141533-7	PLASTIC CARRYING CASE COMPLETE	1	PC.
		INC.	162315-4	LATCH	2	PC.
		INC.	452137-3	HANDLE	1	PC.
		INC.	452143-8	SHAFT	2	PC.
		INC.	453489-5	INSIDE LID	1	PC.