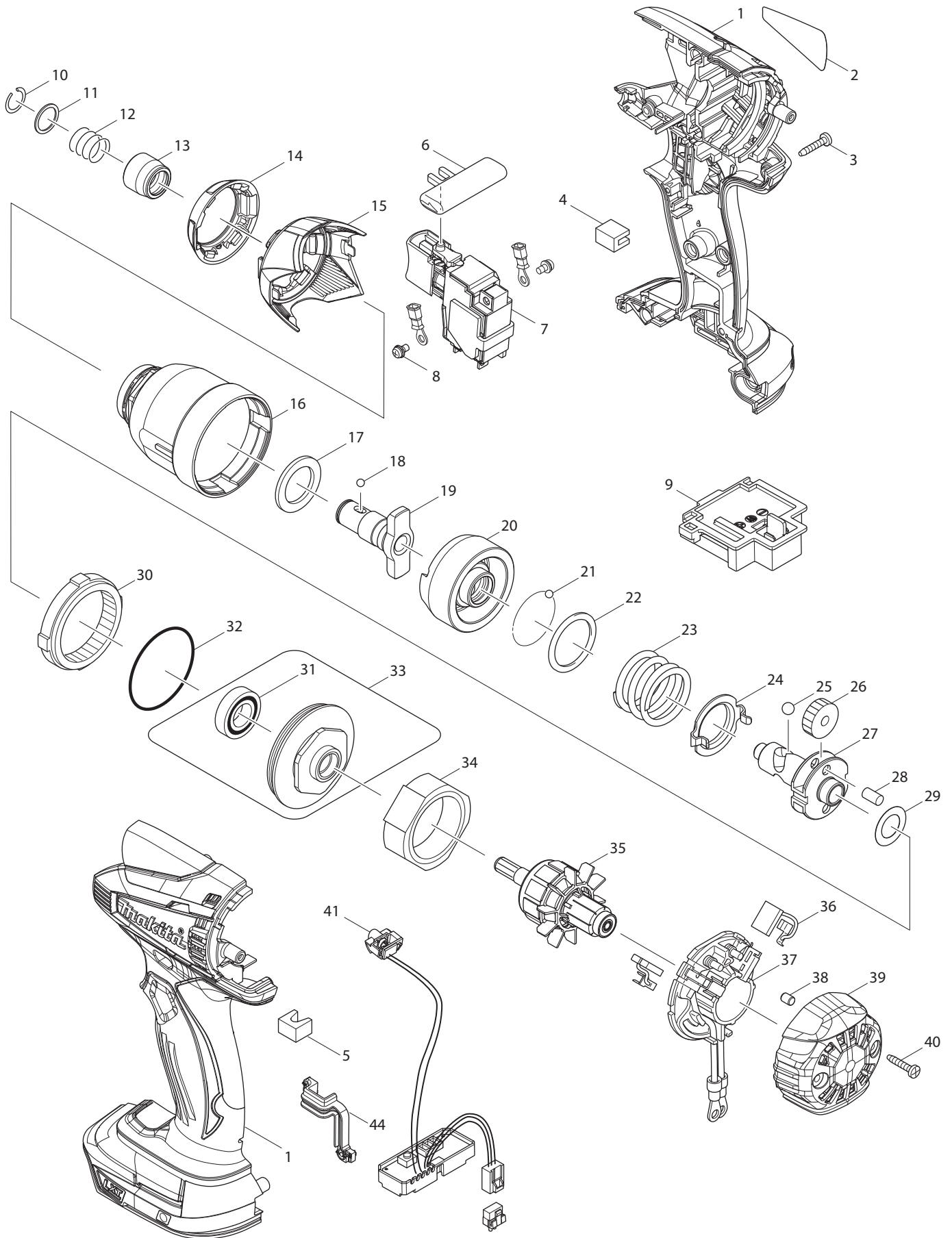




04 - 2010
LXDT03 / LXDT03Z
14.4V IMPACT DRIVER



| Item No | Type | Ref | Part No | Description | Qty | Unit |
|---------|------|------|----------|--|-----|------|
| 1 | | | 187115-1 | HOUSING SET | 1 | PC. |
| | | INC. | 263005-3 | RUBBER PIN 6 | 2 | PC. |
| 2 | | | 896208-0 | NAME PLATE LXDT03 | 1 | PC. |
| 3 | | | 266429-2 | TAPPING SCREW 3X16 | 8 | PC. |
| 4 | | | 423423-9 | SPONGE B | 1 | PC. |
| 5 | | | 423422-1 | SPONGE A | 1 | PC. |
| 6 | | | 419041-9 | F/R CHANGE LEVER | 1 | PC. |
| 7 | 1 | | 650660-4 | SWITCH TG573FSB-2 | 1 | PC. |
| | 2 | | 650723-6 | SWITCH TG573FSB-2 | 1 | PC. |
| 8 | | | 652045-0 | (+) PAN HEAD SCREW M3.5X5 | 2 | PC. |
| 9 | | | 643854-8 | TERMINAL | 1 | PC. |
| 10 | | | 231951-8 | RING SPRING 11 | 1 | PC. |
| 11 | | | 267085-1 | FLAT WASHER 12 | 1 | PC. |
| 12 | | | 233005-7 | COMPRESSION SPRING 13 | 1 | PC. |
| 13 | | | 326068-1 | BIT SLEEVE | 1 | PC. |
| 14 | | | 424429-0 | BUMPER | 1 | PC. |
| 15 | | | 452837-5 | HAMMER CASE COVER | 1 | PC. |
| 16 | | | 140946-9 | HAMMER CASE COMPLETE | 1 | PC. |
| 17 | | | 261151-6 | NYLON WASHER 19 | 1 | PC. |
| 18 | 1 | | 216001-0 | STEEL BALL 3.5 | 2 | PC. |
| | 2 | | 216040-0 | STEEL BALL 3.5 | 2 | PC. |
| 19 | | | 326069-9 | ANVIL M | 1 | PC. |
| 20 | | | 326054-2 | HAMMER | 1 | PC. |
| 21 | 1 | | 216001-0 | STEEL BALL 3.5 | 24 | PC. |
| | 2 | | 216040-0 | STEEL BALL 3.5 | 24 | PC. |
| 22 | | | 267175-0 | FLAT WASHER 24 | 1 | PC. |
| 23 | | | 233430-2 | COMPRESSION SPRING 24 | 1 | PC. |
| 24 | | | 346466-3 | PLATE | 1 | PC. |
| 25 | 1 | | 216011-7 | STEEL BALL 5.6 | 2 | PC. |
| | 2 | | 216041-8 | STEEL BALL 5.6 | 2 | PC. |
| 26 | | | 227233-4 | SPUR GEAR 22 | 2 | PC. |
| 27 | | | 326066-5 | SPINDLE | 1 | PC. |
| 28 | | | 256253-1 | PIN 5 | 2 | PC. |
| 29 | | | 253362-7 | THIN WASHER 12 | 1 | PC. |
| 30 | | | 227150-8 | INTERNAL GEAR 51 | 1 | PC. |
| 31 | | | 211140-1 | BALL BEARING 6901LLB | 1 | PC. |
| 32 | | | 213507-9 | O RING 40 | 1 | PC. |
| 33 | | | 158145-9 | BEARING BOX COMPLETE | 1 | PC. |
| | | INC. | | Item No. 31 | | |
| 34 | | | 638396-5 | YOKE UNIT | 1 | PC. |
| 35 | 1 | | 619244-7 | ARMATURE | 1 | PC. |
| | 2 | | 619370-2 | ARMATURE | 1 | PC. |
| 36 | | | 195021-6 | CARBON BRUSH CB-440 2PC/SET, W/ ORIGIN | 1 | SET |
| 37 | | | 638387-6 | BRUSH HOLDER COMPLETE | 1 | PC. |
| 38 | | | 263032-0 | RUBBER PIN 4 | 2 | PC. |
| 39 | | | 452832-5 | REAR COVER, BLUE | 1 | PC. |
| 40 | | | 266429-2 | TAPPING SCREW 3X16 | 2 | PC. |
| 41 | | | 620053-9 | LED CIRCUIT | 1 | PC. |
| 44 | | | 424430-5 | SEAL | 1 | PC. |
| 100 | | | 266622-8 | (+) TRUSS HEAD SCREW M4X12 (F/ Item No. A02) | 1 | PC. |
| 101 | | | 251314-2 | (+) SCREW M4X12 (F/Item No.A10) | 1 | PC. |
| C01 | | | 872474-3 | CARTON FOR LXDT03 | 1 | PC. |
| C01A | | | 872463-8 | CARTON FOR LXDT03Z | 1 | PC. |
| E01 | | | 893888-3 | CAUTION LABEL (F/ Item No.1) | 1 | PC. |

| Item No | Type | Ref | Part No | Description | Qty | Unit |
|--------------------|------|------|---|--|-----|------|
| ACCESSORIES | | | - See Catalogue or visit www.makita.ca for more accessories - | | | |
| A02 | 1 | | 346317-0 | HOOK, COMPACT BELT CLIP, BL1830/BL1430 | 1 | PC. |
| | 2 | | 346449-3 | HOOK, COMPACT BELT CLIP, 18V, 14.4V LI-ION BATTERY | 1 | PC. |
| A03 | | | 450128-8 | BATTERY COVER | 1 | PC. |
| A04 | 1 | | DC18RA | CHARGER DC18RA | 1 | PC. |
| | 2 | | DC18RC | CHARGER DC18RC | 1 | PC. |
| | | | DC18SD | CHARGER DC18SD | 1 | PC. |
| | | | DC24SC | CHARGER DC24SC | 1 | PC. |
| | | | DC18SE | AUTOMOTIVE CHARGER DC18SE | 1 | PC. |
| A05 | | | 194066-1 | 14.4V LI-ION BATTERY BL1430 | 1 | PC. |
| | | | 194559-8 | 14.4V LI-ION BATTERY BL1415 | 1 | PC. |
| | | | 194397-8 | 14.4V LI-ION BATTERY BL1430, 2/PK | 2 | PK |
| A06 | 1 | | 824953-7 | PLASTIC CARRYING CASE FOR LXDT03 | 1 | PC. |
| | | INC. | 162302-3 | LATCH | 2 | PC. |
| | | INC. | 324207-7 | SHAFT | 1 | PC. |
| | | INC. | 451749-9 | HANDLE | 1 | PC. |
| | 2 | | 821521-7 | PLASTIC CARRYING CASE | 1 | PC. |
| | | INC. | 162302-3 | LATCH | 2 | PC. |
| | | INC. | 324207-7 | SHAFT | 1 | PC. |
| | | INC. | 451749-9 | HANDLE | 1 | PC. |
| | 3 | | 141856-3 | PLASTIC CARRYING CASE COMPLETE | 1 | PC. |
| | | INC. | 162302-3 | LATCH | 2 | PC. |
| | | INC. | 324207-7 | SHAFT | 1 | PC. |
| | | INC. | 451749-9 | HANDLE | 1 | PC. |
| A07 | | | 763067-6 | 3/8" DRILL CHUCK | 1 | PC. |
| A08 | | | 194633-2 | ADJUSTABLE DEPTH GAGUE | 1 | PC. |
| A09 | | | 194649-7 | BATTERY PROTECTOR(F/BL1430) | 1 | PC. |
| | | INC. | 251314-2 | (+) SCREW M4X12 | 2 | PC. |
| A10 | | | 324705-1 | HOOK F/ BL1430, BL1830 | 1 | PC. |
| | | | 346034-2 | HOOK F/BL1415, BL1815 | 1 | PC. |
| A11 | | | 763415-9 | CHUCK KEY (F/DRILL CHUCK #763067-6) | 1 | PC. |
| A12 | | | 784643-3 | CONNECT BIT 6.35-44 (F/DRILL CHUCK) | 1 | PC. |
| A13 | | | 195927-8 | TOOL CATCHER SET | 1 | PC. |

SERVICE CHANGES

1. Changes on Armature

| (TI#A6593) | | | |
|------------|-------------|----------|----------|
| Item No. | Description | Type 1 | Type 2 |
| 035 | Armature | 619244-7 | 619370-2 |

