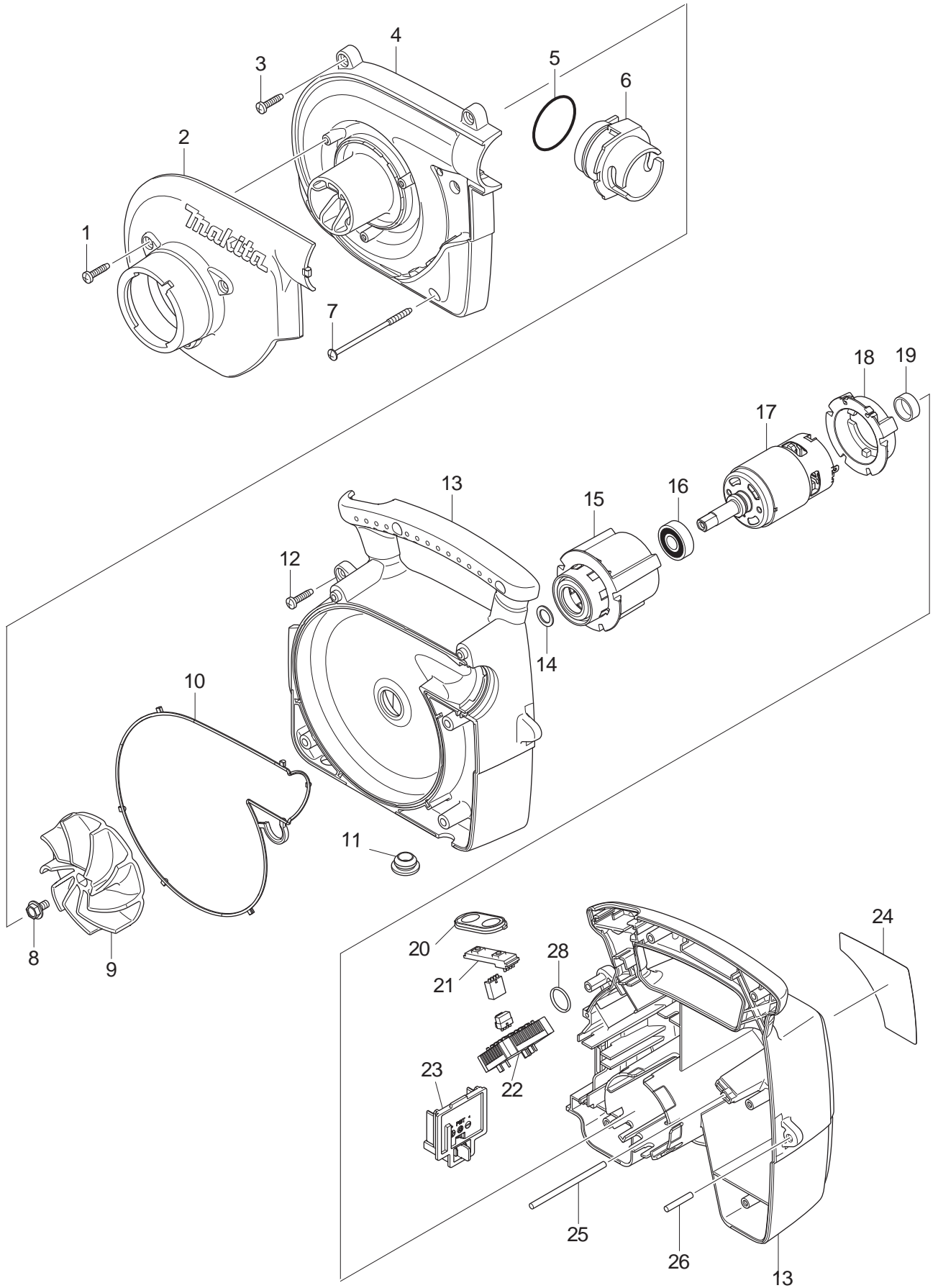




09 - 2011
LXCV02Z / LXCV02Z1
18V CLEANER



| Item No | Type | Ref | Part No | Description | Qty | Unit |
|---------------------------|------|------|--|-----------------------------------|-----|------|
| 1 | | | 265995-6 | TAPPING SCREW 4X18 | 3 | PC. |
| 2 | 1 | | 140455-8 | FRONT COVER COMPLETE | 1 | PC. |
| | 2 | | 140642-9 | FRONT COVER COMPLETE | 1 | PC. |
| 3 | | | 265995-6 | TAPPING SCREW 4X18 | 2 | PC. |
| 4 | | | 451989-9 | FAN COVER | 1 | PC. |
| 5 | | | 213508-7 | O RING 38 | 1 | PC. |
| 6 | | | 452067-8 | JOINT | 1 | PC. |
| 7 | | | 266049-2 | TAPPING SCREW 4X75 | 3 | PC. |
| 8 | | | 266614-7 | HEX. FLANGE HEAD BOLT M5X10 | 1 | PC. |
| 9 | | | 240122-6 | FAN 86 | 1 | PC. |
| 10 | | | 424332-5 | SEAL RING | 1 | PC. |
| 11 | | | 286238-3 | CAP 19 | 4 | PC. |
| 12 | | | 265995-6 | TAPPING SCREW 4X18 | 3 | PC. |
| 13 | | | 187008-2 | MOTOR HOUSING SET | 1 | PC. |
| | | INC. | | Item No. 10 | | |
| 14 | | | 267047-9 | FLAT WASHER 10 | 1 | PC. |
| 15 | | | 424330-9 | MOTOR RUBBER RING A | 1 | PC. |
| 16 | | | 210059-1 | BALL BEARING 6000DDW | 1 | PC. |
| 17 | | | 629888-5 | DC MOTOR | 1 | PC. |
| 18 | | | 424331-7 | MOTOR RUBBER RING B | 1 | PC. |
| 19 | | | 421940-3 | CAP | 1 | PC. |
| 20 | | | 140463-9 | SWITCH PLATE COMPLETE | 1 | PC. |
| 21 | | | 631973-2 | SWITCH UNIT | 1 | PC. |
| 22 | | | 620036-9 | CONTROLLER | 1 | PC. |
| 23 | | | 643852-2 | TERMINAL | 1 | PC. |
| 24 | | | 868984-6 | LXCV02 NAME PLATE | 1 | PC. |
| 25 | | | 268092-7 | PIN 4 | 1 | PC. |
| 26 | | | 256206-0 | PIN 4 | 1 | PC. |
| 28 | | | 259048-1 | RING | 1 | PC. |
| C01 | | | 871114-0 | CARTON | 1 | PC. |
| D01 | | | 654051-1 | EARTH TERMINAL | 1 | PC. |
| D02 | | | 654069-2 | RECEPTACLE | 2 | PC. |
| <u>ACCESSORIES</u> | | | - See catalogue or visit www.makita.ca for more optional accessories - | | | |
| A01 | | | 122918-6 | DUSTBAG ASSEMBLY | 1 | PC. |
| A02 | | | 140456-6 | HOSE COMPLETE 28-2.5 | 1 | PC. |
| A03 | | | 166094-6 | SHOULDER BELT | 1 | PC. |
| A04 | | | 132025-7 | NOZZLE ASS'Y | 1 | PC. |
| | | INC. | 414145-2 | JOINT | 1 | PC. |
| A05 | | | 417766-9 | FRONT CUFF 38 | 1 | PC. |
| A06 | | | 194205-3 | 18V LI-ION BATTERY BL1830 | 1 | PC. |
| | | | 194230-4 | 18V LI-ION BATTERY BL1830, 2/PK | 2 | PK |
| | | | 194309-1 | 18V LI-ION BATTERY BL1815 | 1 | PC. |
| | | | 194428-3 | 18V LI-ION BATTERY BL1815, 2/PK | 2 | PK |
| A07 | 1 | | DC18RA | CHARGER DC18RA | 1 | PC. |
| | 2 | | DC18RC | CHARGER DC18RC | 1 | PC. |
| | | | DC18SD | CHARGER DC18SD | 1 | PC. |
| | | | DC18SE | AUTOMOTIVE CHARGER DC18SE | 1 | PC. |
| | | | DC18RAKIT | CHARGER+BATTERY(DC18RA+BL1830)KIT | 1 | KIT |
| A08 | | | 194649-7 | BATTERY PROTECTOR(BL1830) | 1 | PC. |
| A09 | | | 450128-8 | BATTERY COVER F/LI-ION BATTERY | 1 | PC. |