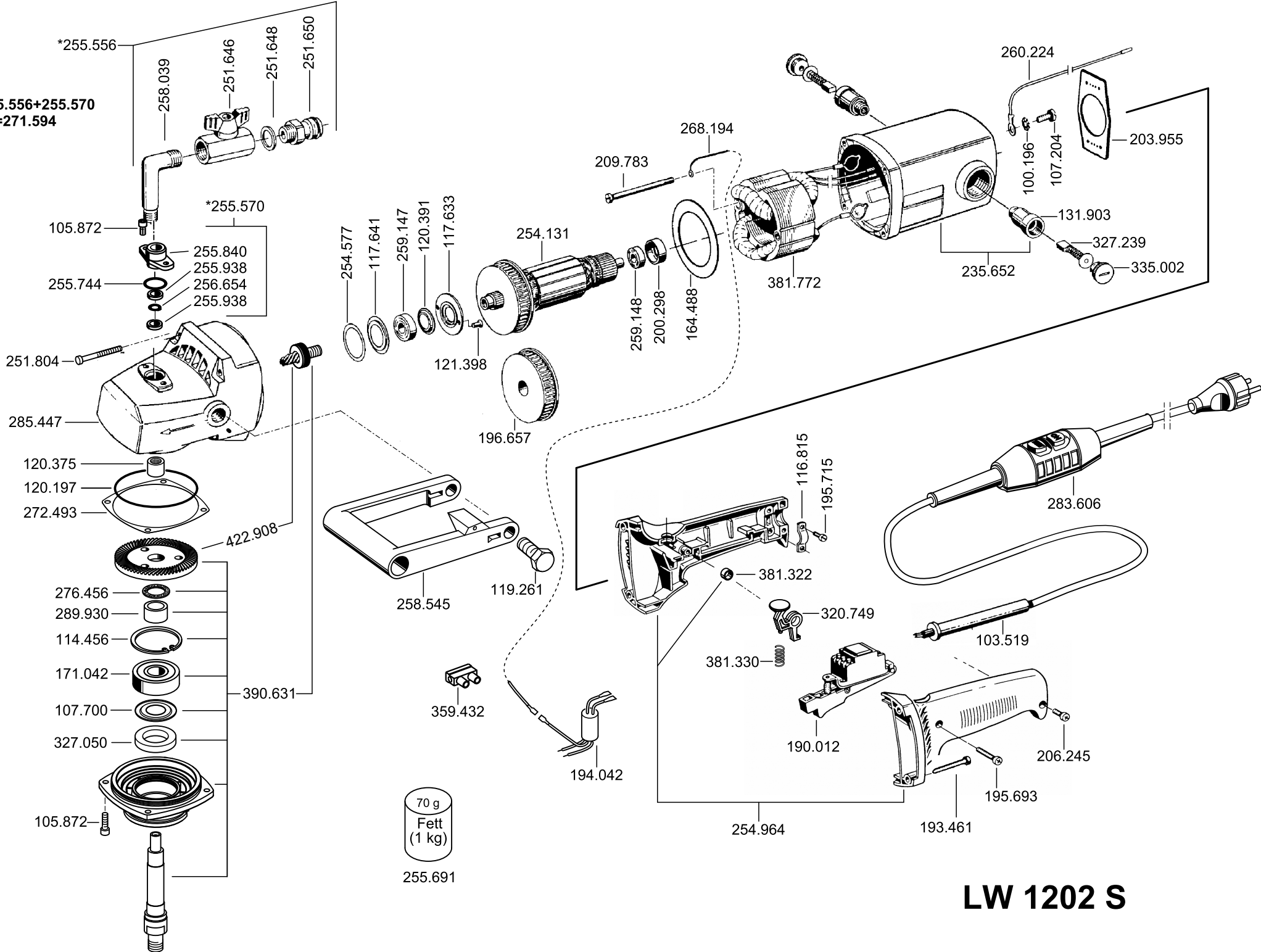


*255.556+255.570
=271.594



LW 1202 S