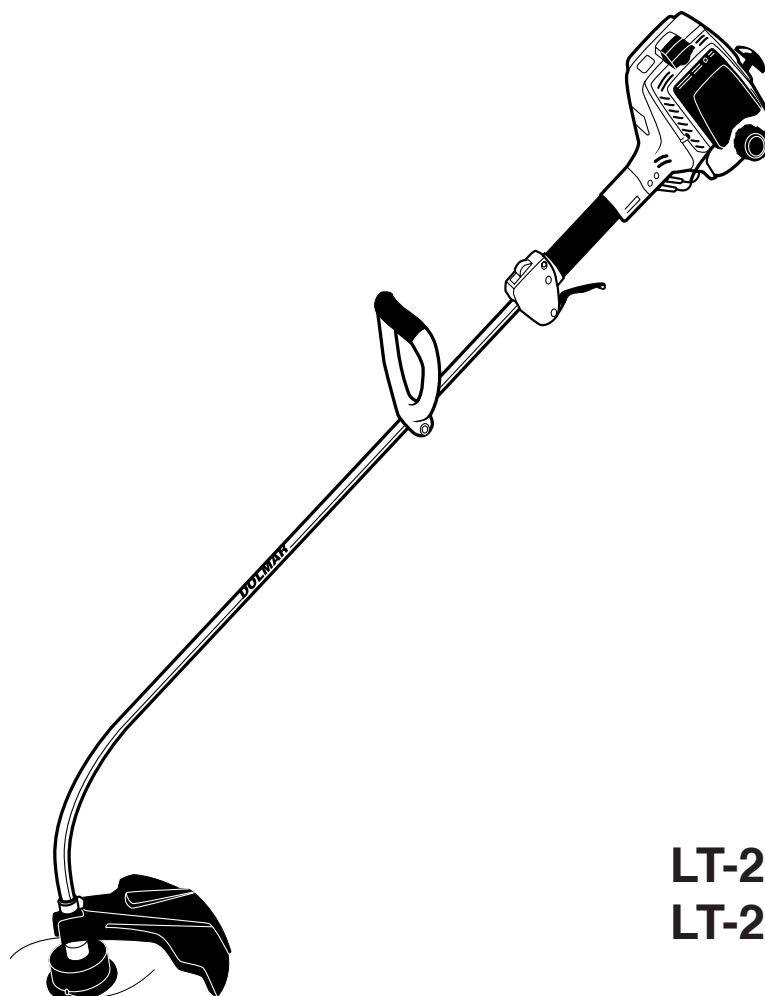


# Spare Parts List

2006-03



**LT-210**  
**LT-250**

IMPORTANT! - To assure product SAFETY and RELIABILITY, repairs, maintenance or adjustments should be performed by DOLMAR Service Centers, or other qualified service organisations. Always use DOLMAR replacement parts.

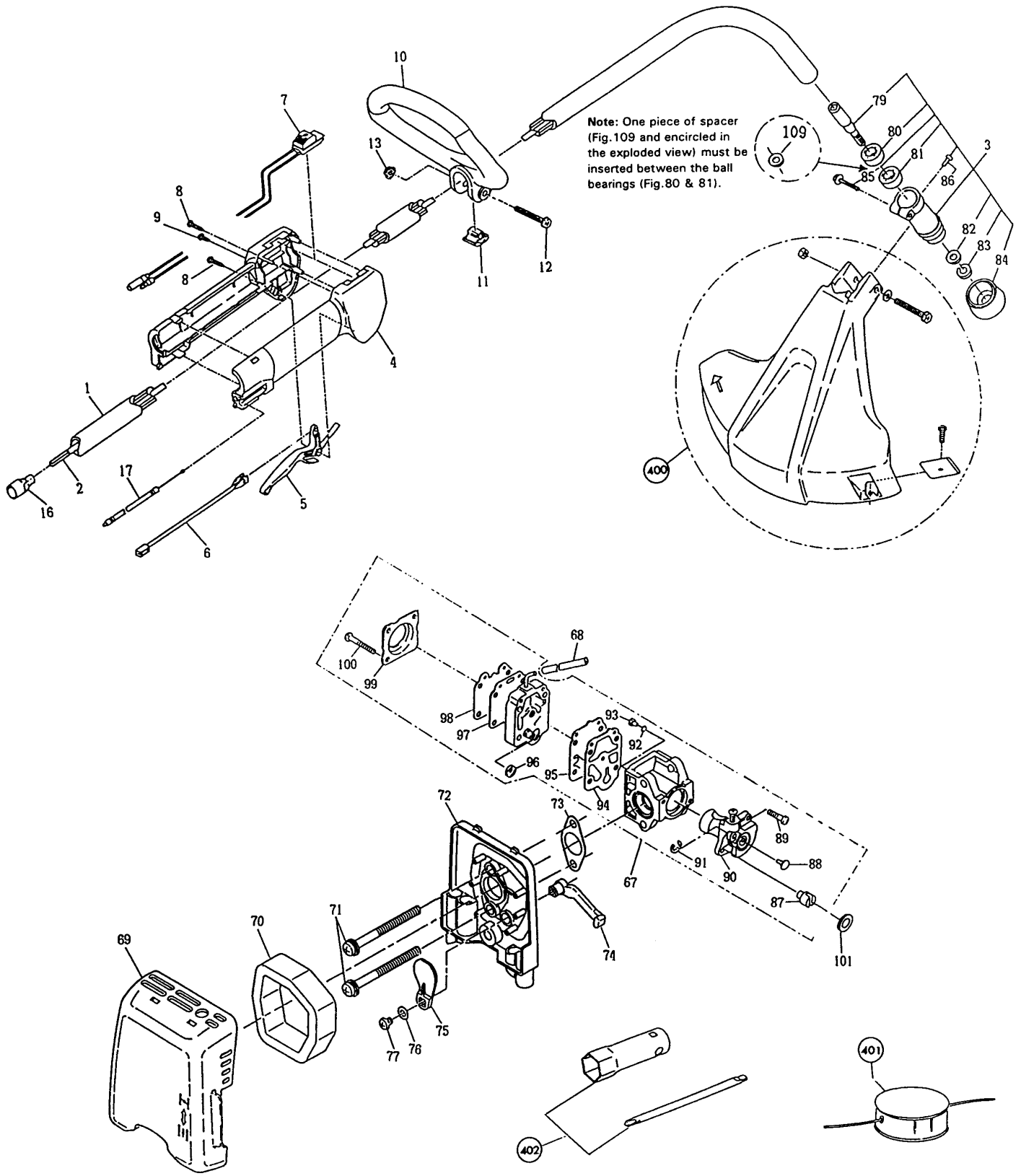
---

**DOLMAR**



A member of the *Makita* Group

995 700 253 (GB)

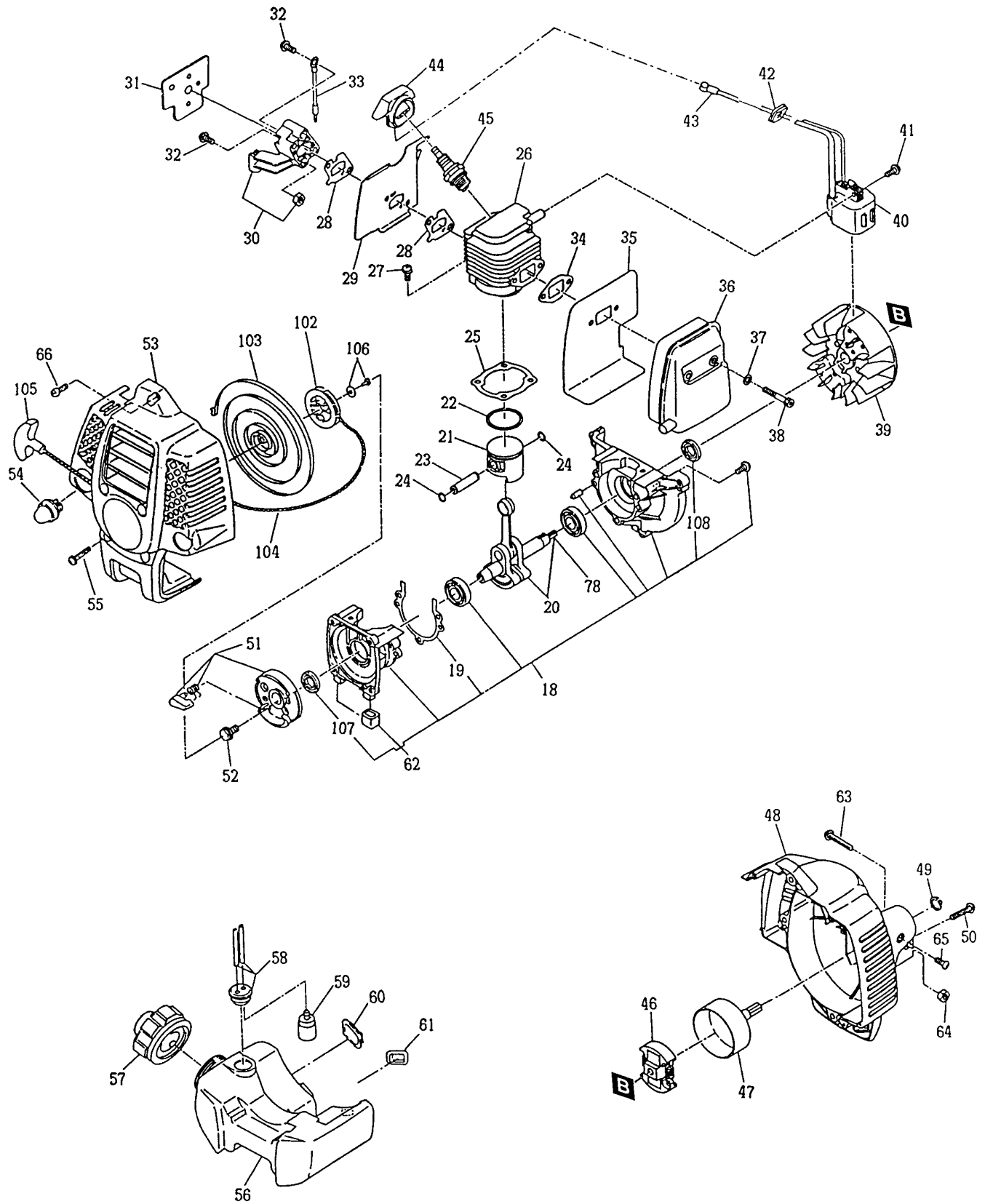


# LT-250

**DOLMAR**



Page	Pos.	LT-210	LT-250	Part No.	Notes	Description	Specifications
4	1		1	381 100 600		FLEXIBLE PIPE UNIT	INCL. FIG. 16
4	2		1	388 100 503		FLEXIBLE SHAFT	
4	3		1	388 300 200		GEAR CASE CPL.	INCL. FIG. 79 - 86 & 109
4	4		1	388 501 200		CONTROL LEVER ASS'Y	INCL. FIG. 5 - 9
4	5		1	388 550 060		LEVER	
4	6		1	388 550 070		CONNECTOR	
4	7		1	388 500 900		SWITCH CPL.	
4	8		2	388 004 992		TAPPING SCREW	
4	9		1	388 004 991		TAPPING SCREW	
4	10		1	388 400 300		HANDLE CPL.	
4	11		1	388 950 020		SPACER	
4	12		1	374 006 982		BOLT	
4	13		1	388 370 600		FLANGE NUT	
4	16		1	388 100 504		SPACER	
4	17		1	388 003 990		CONTROL CABLE	
4	67		1	388 604 700		CARBURETOR	INCL. FIG 87-100
4	68		1	367 114 996		TUBE	2.5X5X140
4	69		1	388 350 460		AIR CLEANER CASE	
4	70		1	388 350 470		AIR CLEANER ELEMENT	
4	71		2	388 360 565		SCREW	M5X62
4	72		1	388 350 450		CLEANER PLATE	
4	73		1	388 350 420		GASKET	
4	74		1	388 350 480		CHOKE LEVER	
4	75		1	388 350 500		CHOKE PLATE	
4	76		1	388 110 400		WASHER	
4	77		1	388 004 998		TAPPING SCREW	M4X8
4	79		1	388 300 302		CUTTER SHAFT	
4	80		1	388 300 203		BALL BEARING	608LLU
4	81		1	388 300 203		BALL BEARING	608LLU
4	82		1	388 300 205		WASHER	
4	83		1	388 300 206		SPRING WASHER	
4	84		1	388 850 080		RECEIVE WASHER	
4	85		1	388 300 212		BOLT ASS'Y	
4	86		1	388 700 510		C. R. HEAD BOLT	
4	87		1	381 601 804		SWIVEL	
4	88		1	381 600 811		PLUG	
4	89		2	388 600 803		PAN HEAD SCREW	
4	90		1	388 604 702		THROTTLE VALVE	
4	91		1	381 600 512		RING	
4	92		1	381 600 101		O-RING	
4	93		1	381 600 201		JET	
4	94		1	381 600 103		PUMP GASKET	
4	95		1	381 600 104		PUMP DIAPHRAGM	
4	96		1	381 600 401		INLET SCREEN	
4	97		1	388 600 413		GASKET	
4	98		1	381 600 525		METERING DIAPHRAGM ASS'Y	
4	99		1	388 600 503		PRIMPER PUMP COVER	
4	100		1	388 600 202		PAN HEAD SCREW	
4	101		1	388 950 000		HOLDER	
4	109		1	388 300 304		SPACER	
4	400		1	388 800 600		PROTECTOR ASS'Y	
4	401		1	381 224 262		TRIMMER HEAD	
4	402		1	388 901 900		TOOL KIT	



# LT-250



Page	Pos.	LT-210	LT-250	Part No.	Notes	Description	Specifications
5	18		1	388 101 100		CRANKCASE CPL.	INCL. FIG. 19, 107 & 108
5	19		1	388 150 220		CRANKCASE GASKET	
5	20		1	367 201 100		CRANKSHAFT CPL.	INCL. FIG. 78
5	21		1	388 250 190		PISTON	
5	22		1	382 250 070		PISTON RING	
5	23		1	388 250 260		PISTON PIN	
5	24		2	388 508 997		CLIP	
5	25		1	388 150 230		CYLINDER GASKET	
5	26		1	388 150 180		CYLINDER	
5	27		2	374 005 970		SCREW ASS'Y	M5X20
5	28		2	388 350 390		INSULATOR GASKET	
5	29		1	388 350 400		CARBURETOR INSULATOR	
5	30		1	388 303 800		INSULATOR CPL.	
5	31		1	388 350 410		INSULATOR GASKET	
5	32		2	388 005 950		SCREW	M5X25
5	33		1	388 550 120		WIRE	
5	34		1	388 350 430		MUFFLER GASKET	
5	35		1	388 350 440		MUFFLER INSULATOR	
5	36		1	388 303 700		EXHAUST MUFFLER	
5	37		2	381 100 500		WASHER	M5
5	38		2	388 905 960		S. H. BOLT	M5X45
5	39		1	388 703 101		FLYWHEEL	
5	40		1	388 703 102		COIL	
5	41		2	367 004 992		SCREW ASS'Y	M4X20
5	42		1	388 750 320		GROMMET	
5	43		1	377 400 993		PLUG CAP SPRING	
5	44		1	388 750 330		PLUG CAP	
5	45		1	381 014 981		SPARK PLUG	
5	46		1	388 200 500		CLUTCH ASS'Y	
5	47		1	388 200 400		CLUTCH DRUM CPL.	
5	48		1	381 503 500		ENGINE COVER CPL.	
5	49		1	374 151 000		OUTER SNAP RING	10
5	50		3	374 005 970		SCREW ASS'Y	M5X20
5	51		1	388 500 300		PULLEY	
5	52		1	388 550 470		BOLT ASS'Y	
5	53		1	388 503 300		STARTER COVER CPL.	INCL. FIG. 51, 102-106
5	54		1	388 650 430		PUMP	
5	55		4	374 005 945		SCREW	M5X18
5	56		1	388 650 410		FUEL TANK	
5	57		1	388 600 200		FUEL TANK CAP ASS'Y	
5	58		1	388 604 800		TUBE	
5	59		1	382 650 390		FILTER	
5	60		1	381 650 030		PLATE	
5	61		1	381 650 020		PLATE	
5	62		2	381 650 025		DAMPER	
5	63		2	388 360 530		SCREW ASS'Y	
5	64		2	381 270 500		NUT	M5
5	65		1	388 005 995		TAPPING SCREW	M5X8
5	66		1	388 550 460		TAPPING SCREW	
5	78		1	388 250 240		STUD	
5	102		1	381 500 202		REEL	
5	103		1	381 500 203		SPIRAL SPRING	
5	104		1	381 500 206		STARTER ROPE	
5	105		1	388 500 402		HANDLE CPL.	
5	106		1	388 500 301		SET SCREW	
5	107		1	388 012 997		OIL SEAL	
5	108		1	388 012 997		OIL SEAL	

<b>LT-210</b>	<b>1</b>	Pipe, handle, protector, gear case
	<b>2</b>	Engine, starter, clutch, fuel tank, exhaust muffler
	<b>3</b>	Carburetor, air cleaner, accessories
<b>LT-250</b>	<b>4</b>	Pipe, handle, protector, gear case, carburetor, air cleaner, accessories
	<b>5</b>	Engine, starter, clutch, fuel tank, exhaust muffler

	Key to symbols
<b>⇒ 1999999</b> <b>2000000 ⇒</b> <b>2003.04 ⇒</b> <b>TI 2003/07</b> <b>Acc.</b> <b>=</b> <b>{</b> <b>m</b> <b>Corr.</b>	Production to serial number New part from serial number New part from Year / Month See Technical Information Year / No. Accessories (not included in the delivery inventory) No standard execution, may be used Contains item number Sold by the meter Error correction
	Specifications subject to change without notice