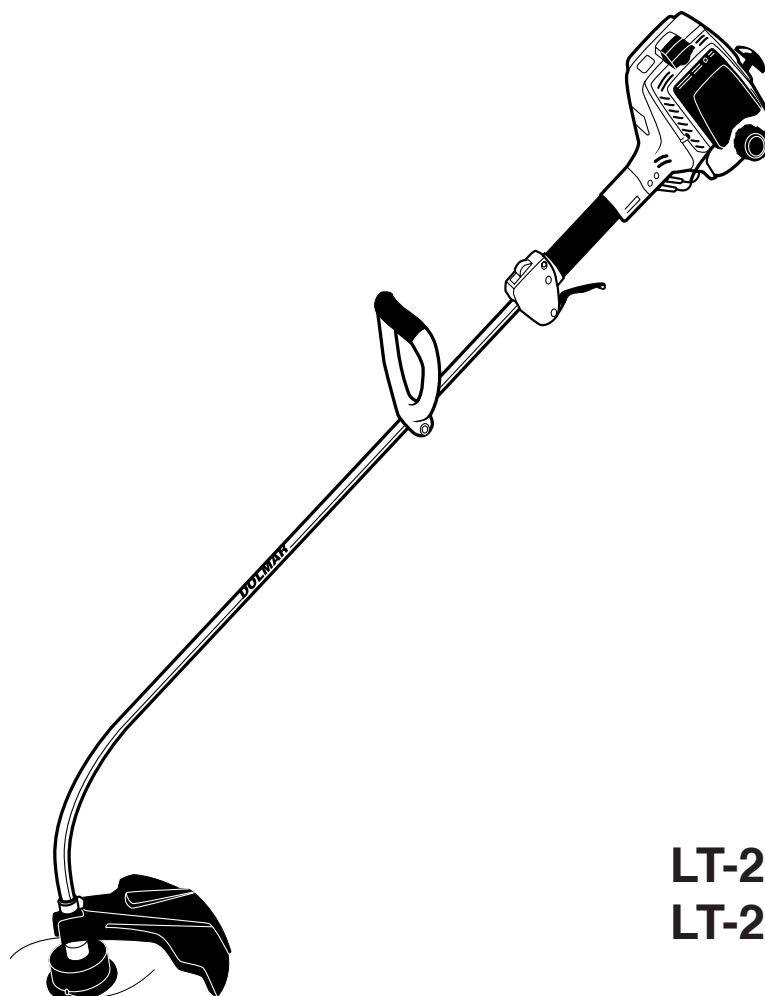


Spare Parts List

2006-03



LT-210
LT-250

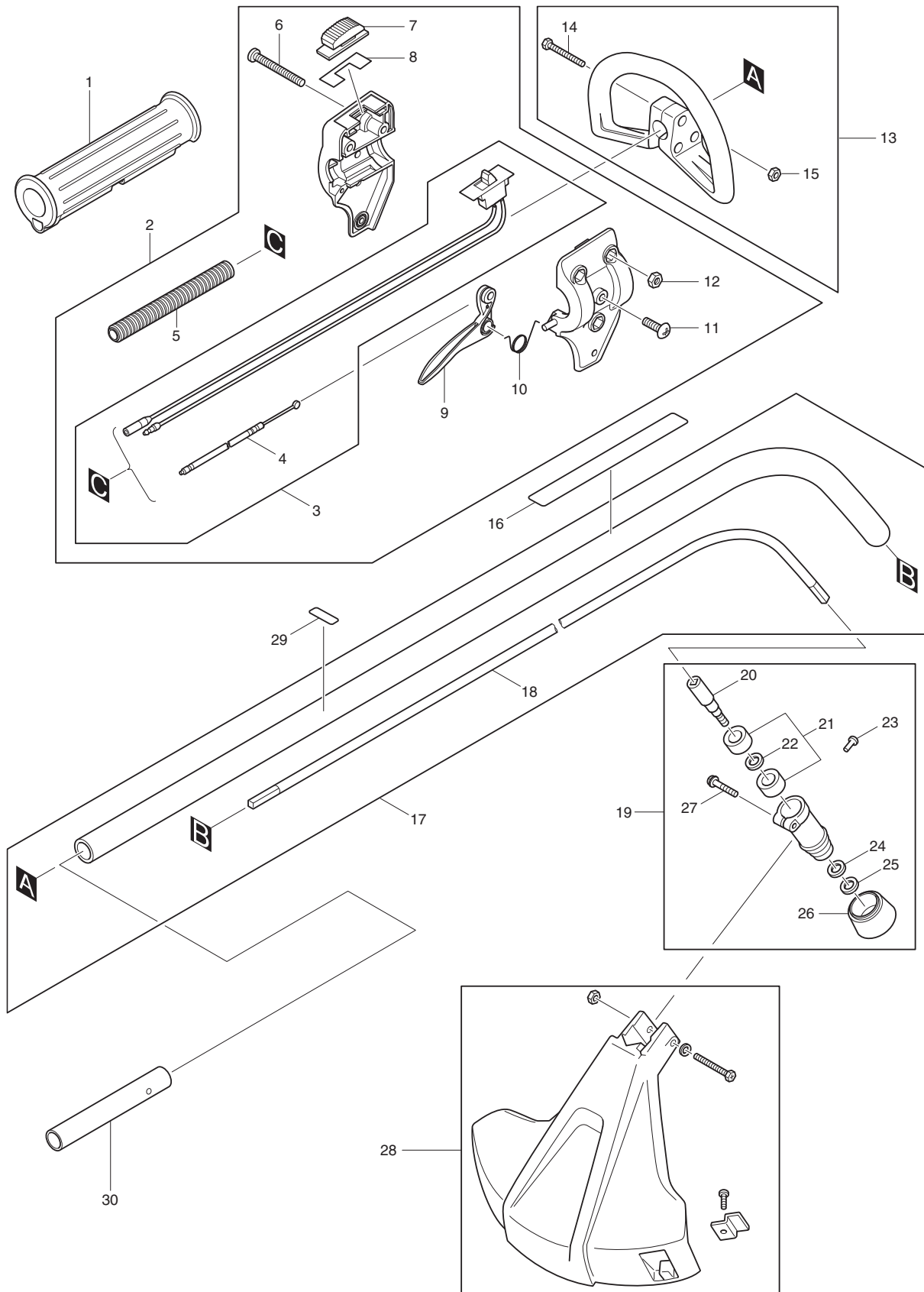
IMPORTANT! - To assure product SAFETY and RELIABILITY, repairs, maintenance or adjustments should be performed by DOLMAR Service Centers, or other qualified service organisations. Always use DOLMAR replacement parts.

DOLMAR



A member of the *Makita* Group

995 700 253 (GB)

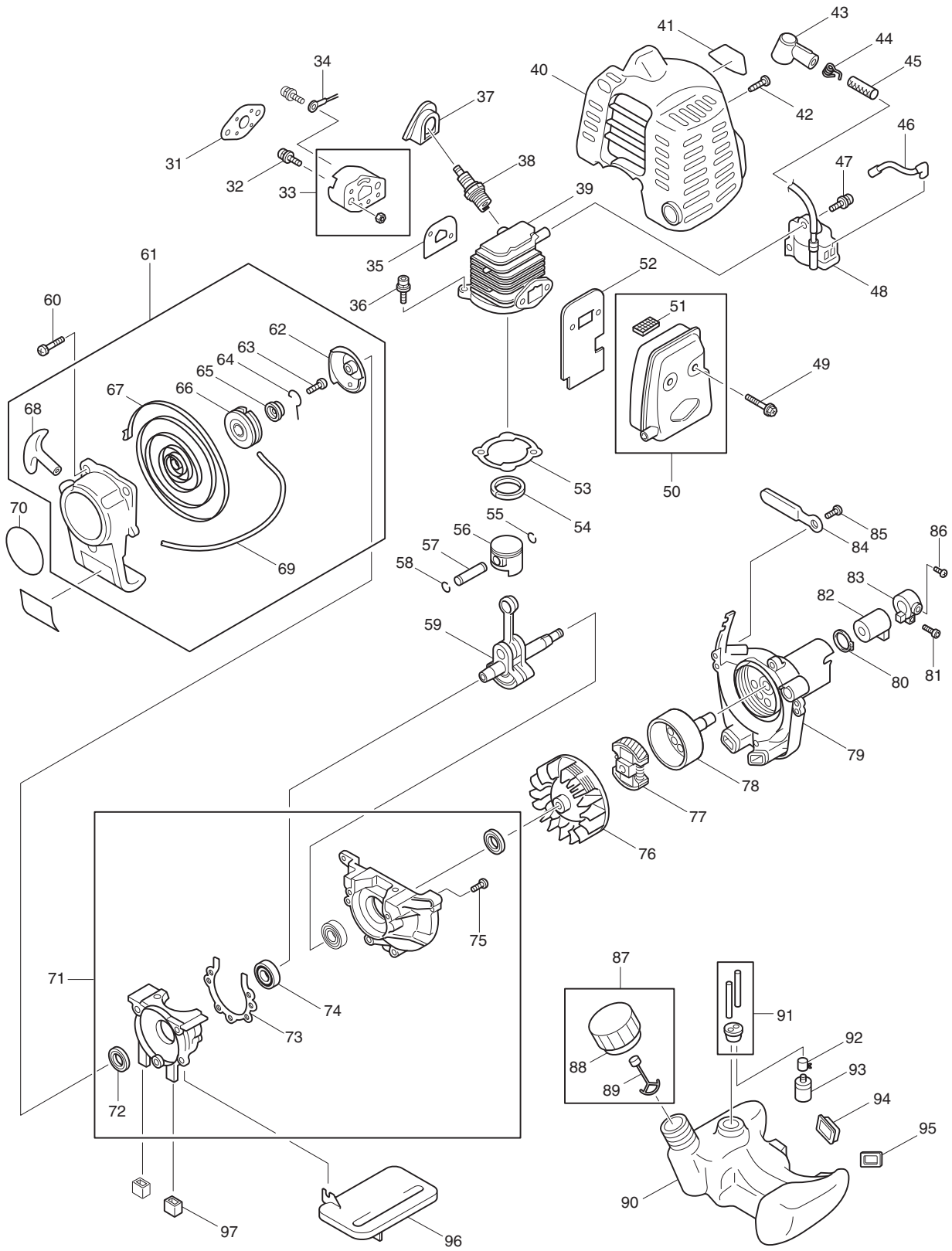


LT-210

DOLMAR



Page	Pos.	LT-210	LT-250	Part No.	Notes	Description	Specifications
1	1	1		381 450 070		GRIP	
1	2	1		381 502 800		CONTROL LEVER ASSY	INC. 3,5-12
1	3	1		381 501 811		WIRE SET	INC. 4
1	4	1		381 501 812		CONTROL CABLE	
1	5	1		381 501 805		TUBE	
1	6	3		381 350 530		SCREW ASSEMBLY	M5X30(SW)
1	7	1		381 501 806		LEVER SWITCH	
1	8	1		381 501 813		SWITCH PLATE	
1	9	1		381 501 803		LEVER	
1	10	1		381 501 804		SPRING	
1	11	1		381 502 803		TAPPINGU SCREW	5X12
1	12	3		367 180 500		NUT	M5
1	13	1		381 401 000		HANDLE ASSY	INC. 14,15
1	14	3		381 350 530		SCREW ASSEMBLY	M5X30(SW)
1	15	3		367 180 500		NUT	M5
1	16	1		381 951 180		CAUTION LABEL	
1	17	1		381 101 900		FLEXIBLE PIPE UNIT	
1	18	1		388 150 130		FLEXIBLE SHAFT	
1	19	1		388 300 400		GEAR CASE ASSY	INC. 20-27
1	20	1		381 350 080		CUTTER SHAFT	
1	21	2		388 350 060		BEARING BALL	#608ZZ
1	22	1		382 350 070		SPACER	
1	23	1		388 700 510		CROSS RECESS HEAD BOLT	
1	24	1		382 350 090		WASHER	
1	25	1		381 350 100		WASHER SPRING	
1	26	1		381 350 110		RECEIVE WASHER	
1	27	1		388 300 212		BOLT ASSY	
1	28	1		381 801 600		PROTECTOR ASSY	
1	29	1		367 951 470		CAUTION LABEL	
1	30	1		381 150 150		SPACER	

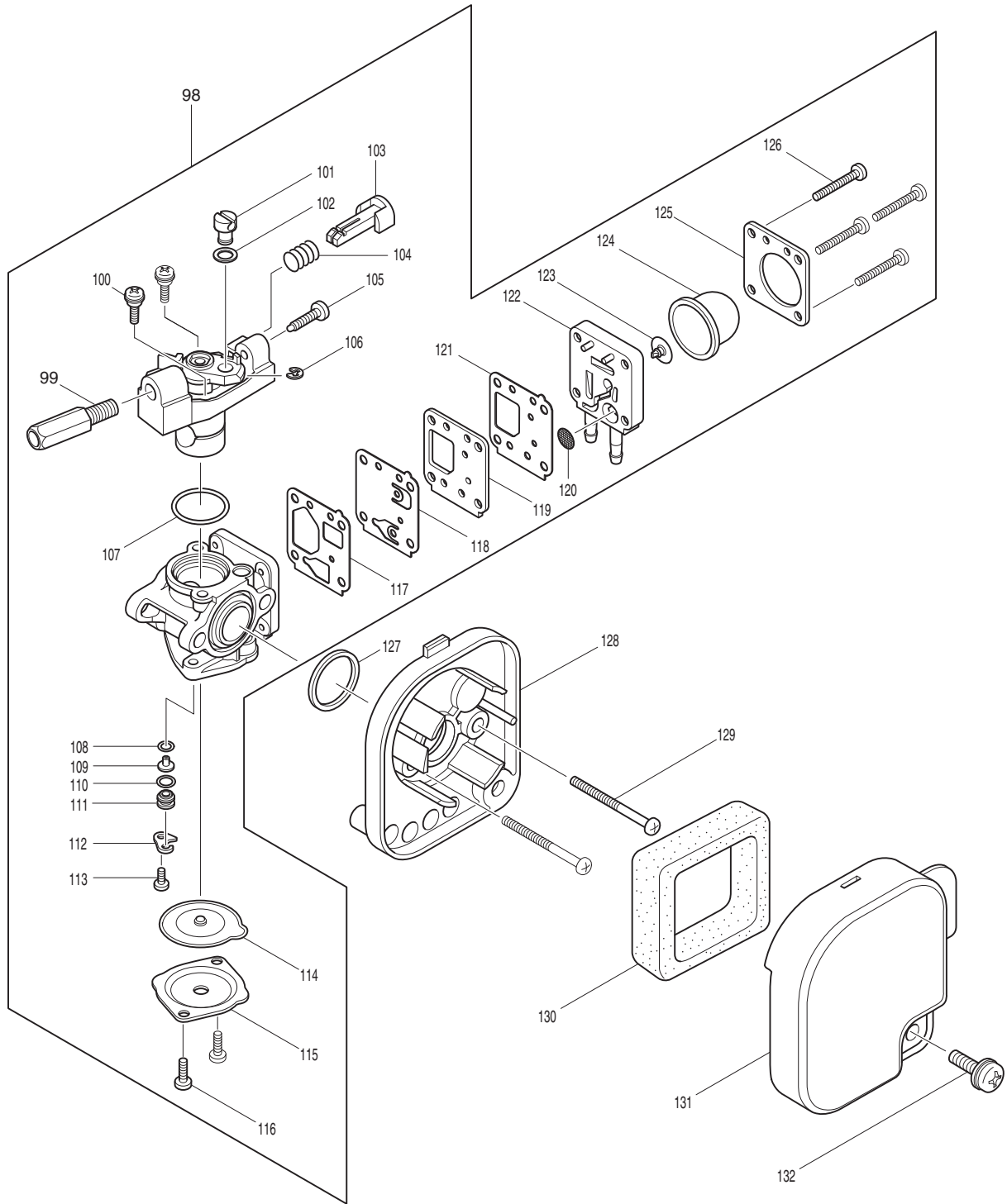


LT-210

DOLMAR



Page	Pos.	LT-210	LT-250	Part No.	Notes	Description	Specifications
2	31	1		381 350 280		SPACER GASKET	
2	32	2		388 005 950		SCREW	M5X25
2	33	1		381 301 400		INSULATOR COMPL.	
2	34	1		381 550 020		WIRE	
2	35	1		377 350 050		INSULATOR GASKET	
2	36	2		382 905 973		SOCKET HEAD BOLT	M5X20
2	37	1		388 750 010		PLUG CAP COVER	
2	38	1		374 014 971		SPARK PLUG	
2	39	1		381 150 090		CYLINDER	
2	40	1		381 550 310		CYLINDER COVER	
2	41	1		381 950 810		TRADE MARK LABEL "DOLMAR"	
2	42	1		388 005 979		TAPPING SCREW	5X14
2	43	1		388 500 987		PLUG CAP	
2	44	1		377 400 993		PLUG CAP SPRING	
2	45	1		374 108 995		TUBE	
2	46	1		374 701 800		WIRE COMPL	
2	47	2		381 004 977		SCREW ASSY	M4X16(W,SW)
2	48	1		374 701 101		IGNITION COIL	
2	49	2		367 905 952		SOCKET HEAD BOLT	M5X40
2	50	1		368 300 100		EXHAUST MUFFLER	INC. 51
2	51	1		374 300 105		SPARK ARRESTER	
2	52	1		383 350 000		INSULATOR,MUFFLER	
2	53	1		382 150 030		CYLINDER GASKET	
2	54	1		374 250 050		PISTON RING	
2	55	1		388 508 997		CLIP	
2	56	1		374 250 170		PISTON	
2	57	1		367 250 050		PISTON PIN	
2	58	1		388 508 997		CLIP	
2	59	1		388 200 100		CRANKSHAFT COMPLETE	
2	60	3		381 004 977		SCREW ASSY	M4X16(W,SW)
2	61	1		381 500 900		REWIND STARTER	INC. 62-69
2	62	1		367 550 000		PULLEY	
2	63	1		367 500 206		SET SCREW	
2	64	1		367 500 210		SWING ARM	
2	65	1		367 500 211		COLLAR	
2	66	1		383 500 203		REEL	
2	67	1		381 500 205		SPIRAL SPRING	
2	68	1		388 500 402		HANDLE	
2	69	1		388 501 602		STARTER ROPE	
2	70	1		381 950 810		TRADE MARK LABEL "DOLMAR"	
2	71	1		383 100 400		CRANK CASE ASS'Y	INC. 72-75
2	72	2		374 010 998		OIL SEAL	
2	73	1		318 150 040		CRANKCASE GASKET	
2	74	2		381 010 998		BALL BEARING	6000
2	75	3		388 005 952		SCREW	M5X25
2	76	1		374 701 701		FLYWHEEL	
2	77	1		381 200 600		CLUTCH	
2	78	1		381 201 100		CLUTCH DRUM COMPLETE	
2	79	1		374 100 600		CLUTCH CASE COMPLETE	
2	80	1		374 151 000		OUTER SNAP RING	10
2	81	1		383 905 988		SOCKET HEAD BOLT	M5X25
2	82	1		374 150 020		PIPE DAMPER	
2	83	1		374 150 130		PIPE BRACKET	
2	84	1		374 605 998		CLAMP	
2	85	3		374 005 978		TAPPING SCREW	M5X20
2	86	1		374 905 985		SOCKET HEAD BOLT	M5X14
2	87	1		377 605 900		FUEL TANK CAP COMPLETE	INC. 88,89
2	88	1		374 605 800		FUEL TANK CAP	
2	89	1		374 606 700		STRAP	
2	90	1		382 650 000		FUEL TANK	
2	91	1		374 115 992		TUBE	
2	92	1		381 105 999		HOSE CLAMP	
2	93	1		382 650 390		FILTER	
2	94	1		381 650 020		PLATE	
2	95	1		381 650 030		PLATE	
2	96	1		383 350 010		PLATE	
2	97	2		381 650 025		DAMPER	



LT-210	1	Pipe, handle, protector, gear case
	2	Engine, starter, clutch, fuel tank, exhaust muffler
	3	Carburetor, air cleaner, accessories
LT-250	4	Pipe, handle, protector, gear case, carburetor, air cleaner, accessories
	5	Engine, starter, clutch, fuel tank, exhaust muffler

	Key to symbols
⇒ 1999999 2000000 ⇒ 2003.04 ⇒ TI 2003/07 Acc. = { m Corr.	Production to serial number New part from serial number New part from Year / Month See Technical Information Year / No. Accessories (not included in the delivery inventory) No standard execution, may be used Contains item number Sold by the meter Error correction
	Specifications subject to change without notice