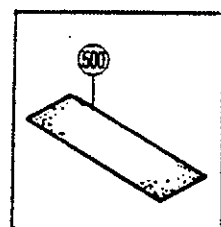
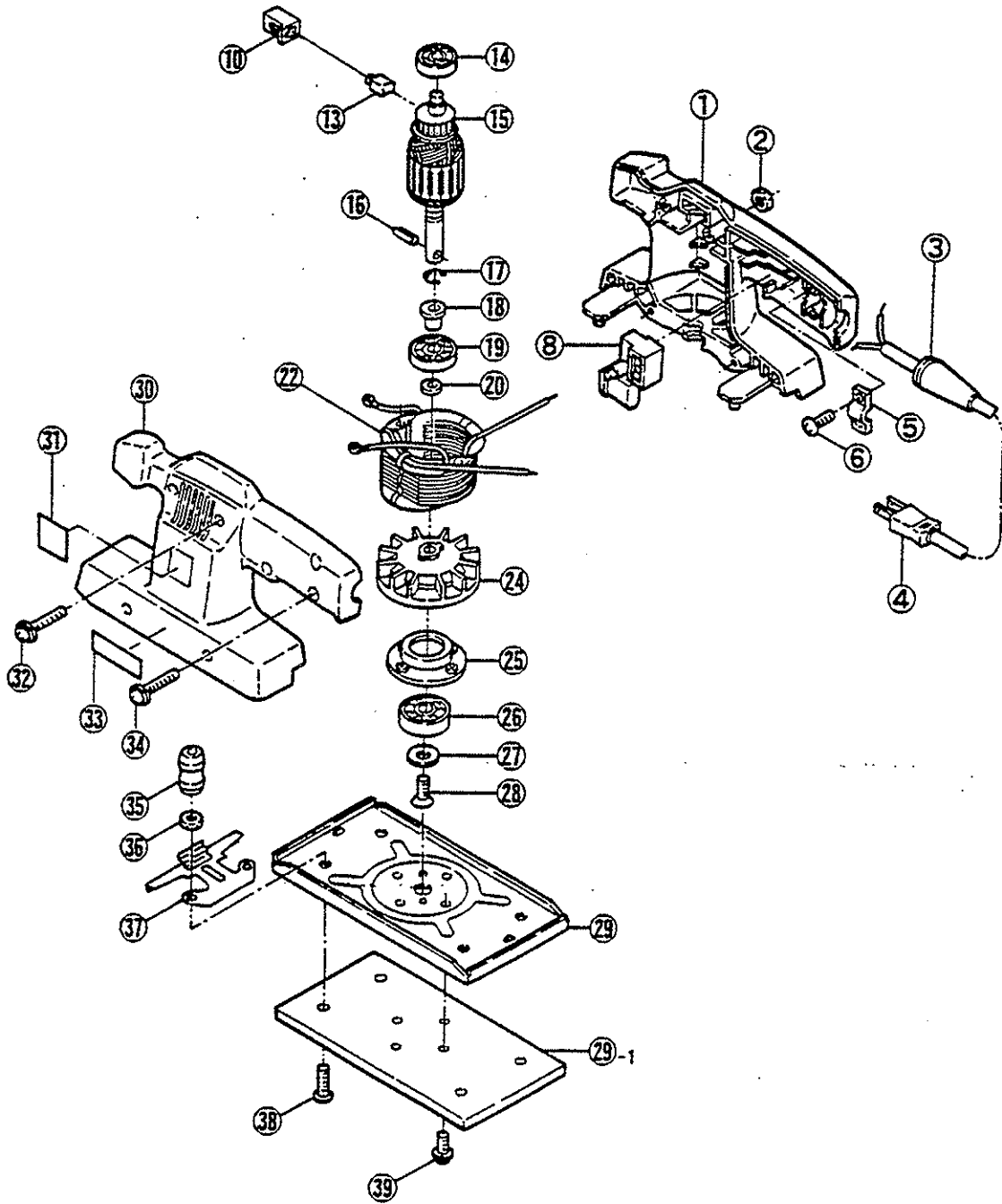


# SANDER

LS-35



## PARTS LIST FOR AFTER SALES SERVICE MODEL LS35

	PART NO.	DESCRIPTION	QTY	REF	PART NO.	DESCRIPTION	QTY
1	6800645	HOUSING (A)	1	26	9826201	BALL BEARING #6201LLU	1
2	9310400	HEX NUT M4	6	27	6900248	COLLAR	1
3	6560131	CORD HOLDER	1	28	9140510	PHILLIPS PAN SCREW M5X10	1
4	6520331	CORD ASS'Y AWG#18X2X2	1	29	6010098	RUBBER PAD	1
5	6560067	CORD CLAMP	1	29-1	6370094	RUBBER SHEET	1
6	9060416	TAPPING SCREW (B) M4X16	2	30	6800653	HOUSING (B)	1
8	6550249	TRIGGER SWITCH	1	31	6920010	"RYOBI" MARK	2
10	6570038	BRUSH HOLDER	2	32	9020430	PHILLIPS PAN SCREW M4X30	4
13	6540433	CARBON BRUSH SET	1	33	6913460	NAME PLATE	1
14	9840627	BALL BEARING #627LLB	1	34	9020420	PHILLIPS PAN SCREW M4X20	2
15	6030820	ARMATURE	1	35	6370095	FOOT	4
16	9402512	SPRING PIN	1	36	9320600	HEX NUT M6	4
17	9500600	RETAINING RING E-6	1	37	6180105	CLAMPER	1
18	6900250	COLLAR	1	38	9000615	PHILLIPS PAN SCREW M6X15	4
19	969235005	BALL BEARING #6200LLU	1	39	9020406	PHILLIPS PAN SCREW M4X6	4
20	6900071	FIBER WASHER	1				
22	6500726	FIELD COIL	1				
24	6490145	IMPELLER	1				
25	6150704	BEARING COVER	1				

**SERVICE NOTES:**

