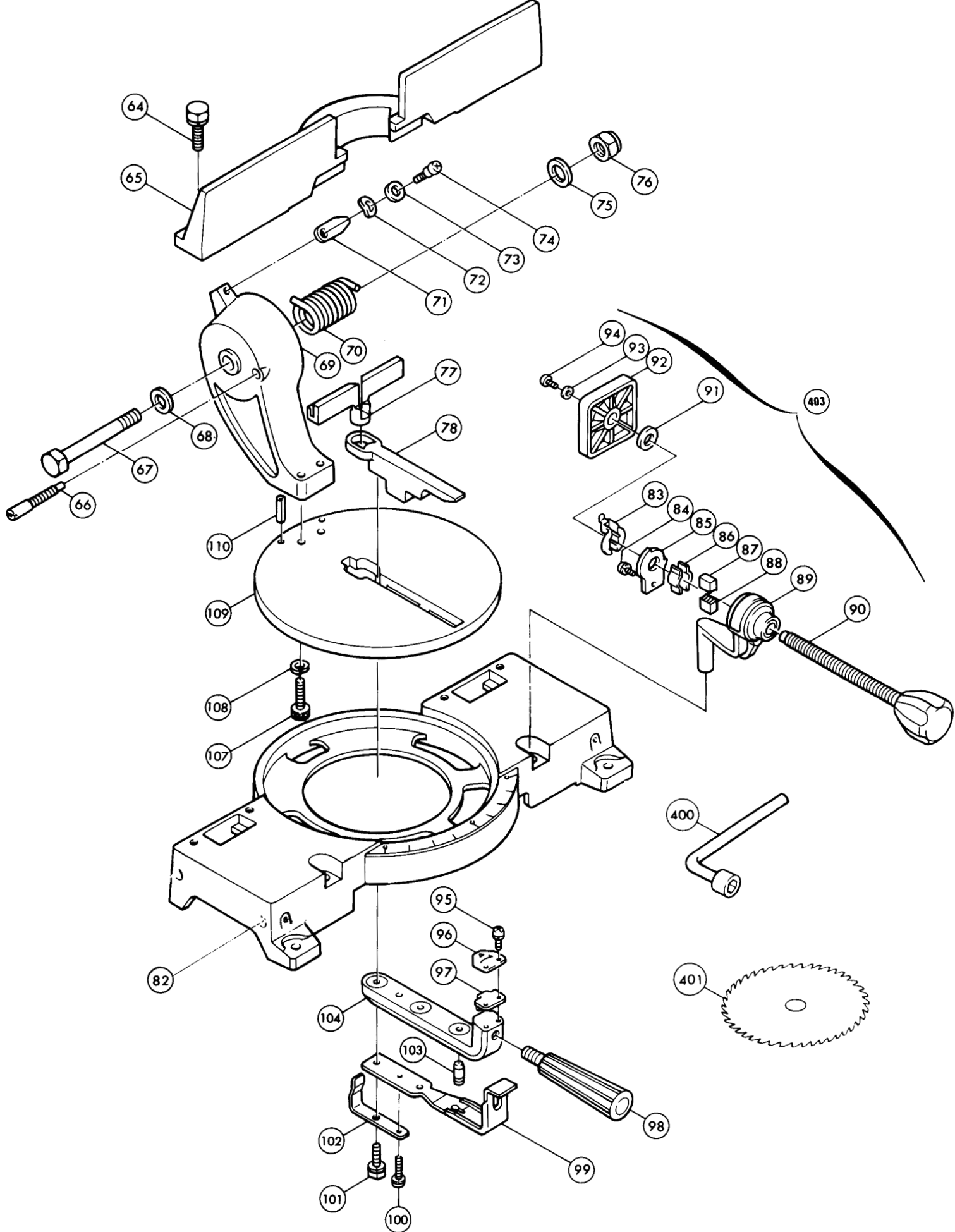


IMPORTANT — To assure product **SAFETY** and **RELIABILITY**, repairs, maintenance or adjustments should be performed by **MAKITA** Service Centers or other qualified service organizations. Always use **MAKITA** replacement parts.



1) Change on Motor Housing and Handle Cover.

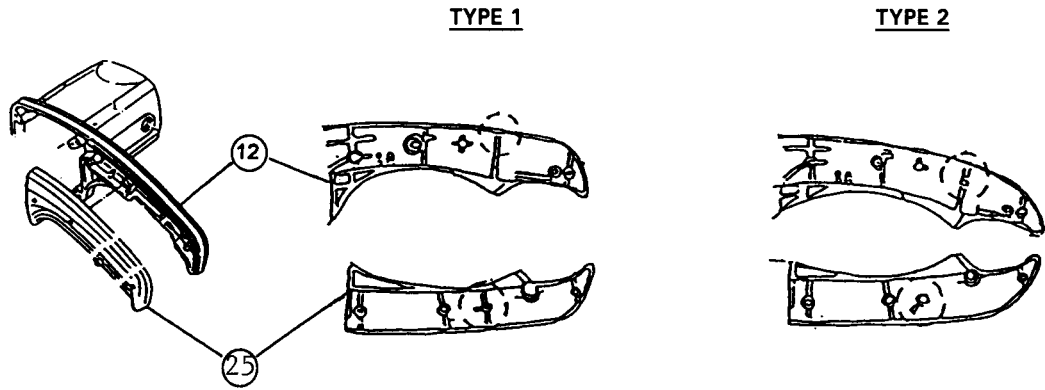
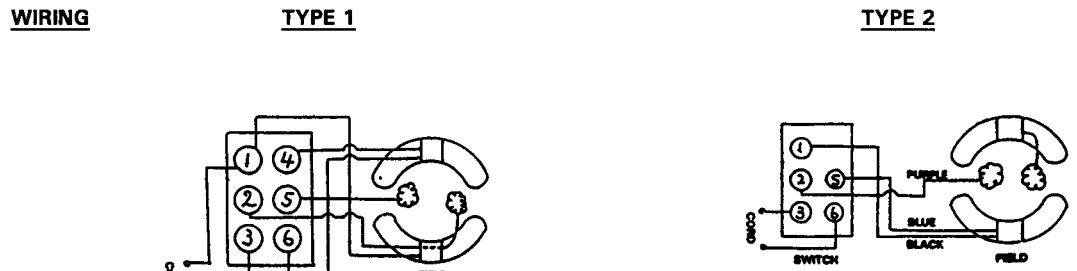
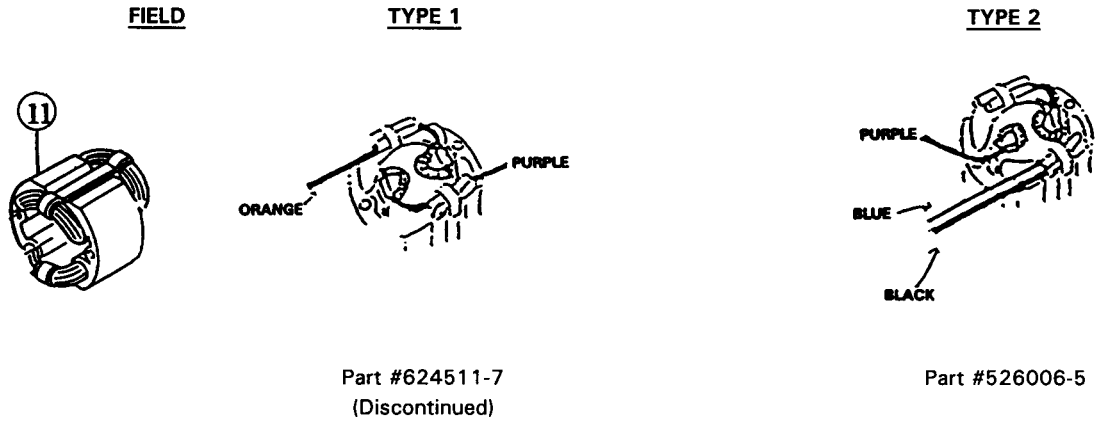


FIG.	DESCRIPTION	TYPE 1	TYPE 2
12	Motor Housing	Part #156444-3 (Discontinued)	Part #157742-8
25	Handle Cover	Part #411476-0 (Discontinued)	Part #410875-3

The above parts are interchangeable as a set.

2) Change on Field and Wiring.



Eliminates the use of terminal 4

3) Change on Guide Fence and Chip Deflector.

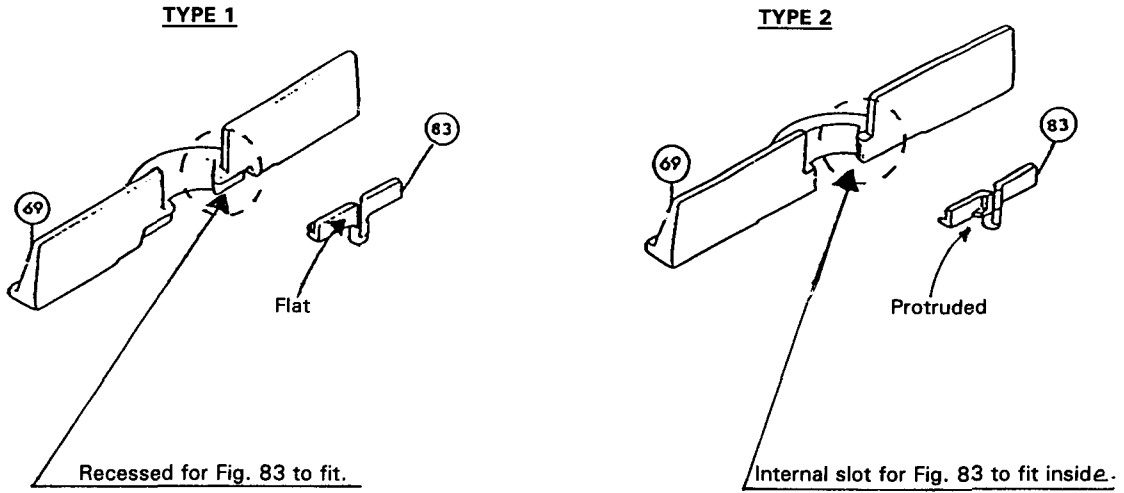


FIG.	DESCRIPTION	TYPE 1	TYPE 2
65	Guide Fence	Part #315888-8 (Discontinued)	Part #316067-1
59	Chip Deflector	Part #410705-8	Part #414236-9

The above parts are interchangeable as a set.