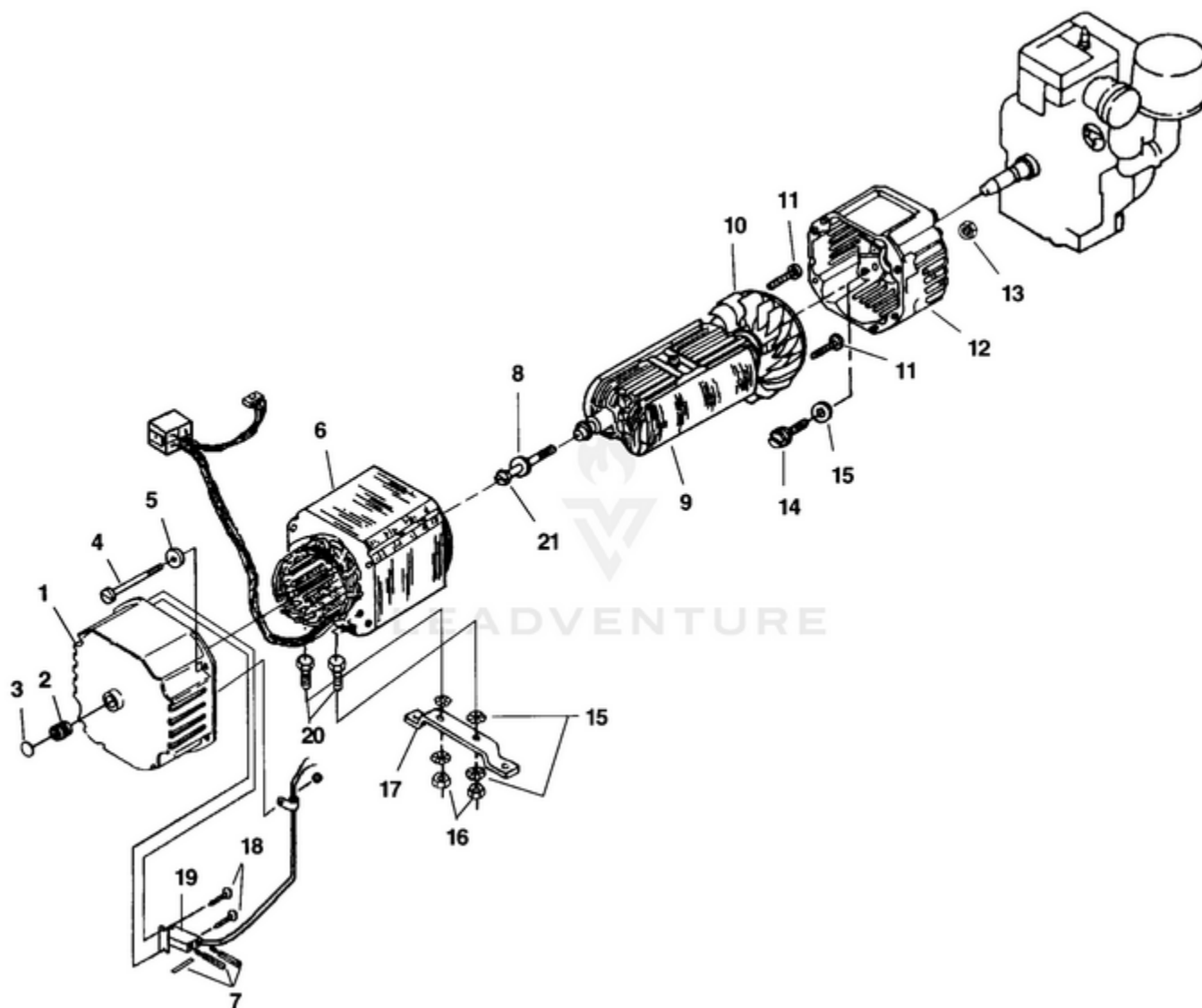


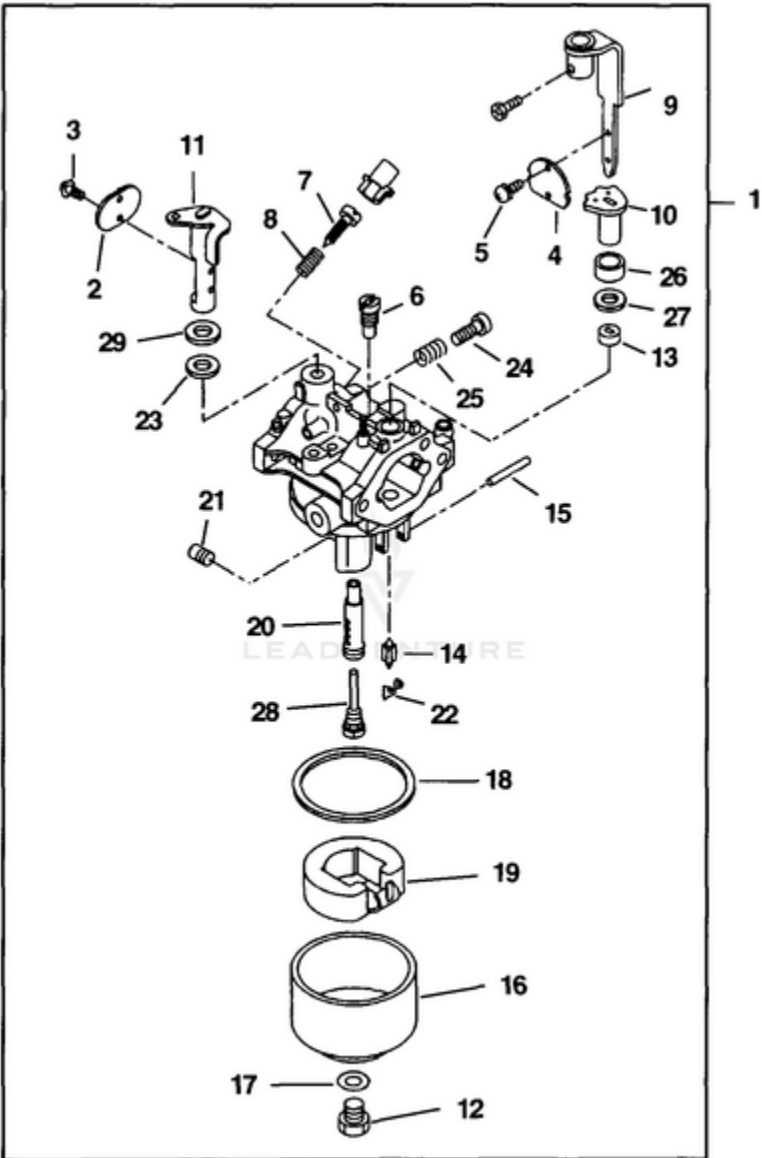
LRX4500 Generator UT-03820 - Brush Head - Generator



Rendered by LeadVenture, Inc.

Ref #	Part #	Description	Qty	Context Note
1	UP03527	Complete Brush Head	1	(Incl. items 2 - 5)
2	03044	Bearing-Needle	1	
3	02438	Plug - Expansion	1	
4	4885307	Bolt - Stator	4	(Torque to 60 - 80 in/lbs [6.9 - 9.0 Nm])
5	84124	Washer - Flat (1/4")	4	
6	UP03523	Stator & Harness	1	(Also order Decal Kit P/N UP04618)
7	A03035	Brush & Retainer Kit	1	
8	83002	Washer - Lock (5/16")	1	
9	A02799AS	Rotor	1	
10	UP03737	Fan - Generator	1	(Incl. item 11)
11	82526	Screw - Pan Hd. (6-19 X 3/4")	4	(Torque to 12 - 16 in/lbs [1.4 - 1.8 Nm])
12	UP06695	End Bell	1	(Incl. items 13 - 15)
13	81267	Nut - Hex (1/4-20)	4	
14	80604	Screw - Hex Hd. (5/16-24 X 3/4")	4	(Torque to 120 - 150 in/lbs [13.6 - 16.9 Nm])
15	83033	Washer - Lock	8	
16	81162	Nut - Hex (5/16-18)	2	
17	028441	Bracket - Generator Support	1	
18	82526	Screw - Plastite (6-19 X 3/4")	2	(Torque to 12 - 16 in/lbs [1.4 - 1.8 Nm])
19	02365	Brush Holder	1	
20	UP03381	Screw - Hex Hd. (5/16-18 X 3/4")	2	(Torque to 150 - 155 in/lbs [16.9 - 17.5 Nm])
21	4885211	Bolt - Rotor	1	(Torque to 100 - 140 in/lbs [11.3 - 15.8 Nm])
22	UP04528	Engine	1	(EH25)
	UP04618	Decal Kit		

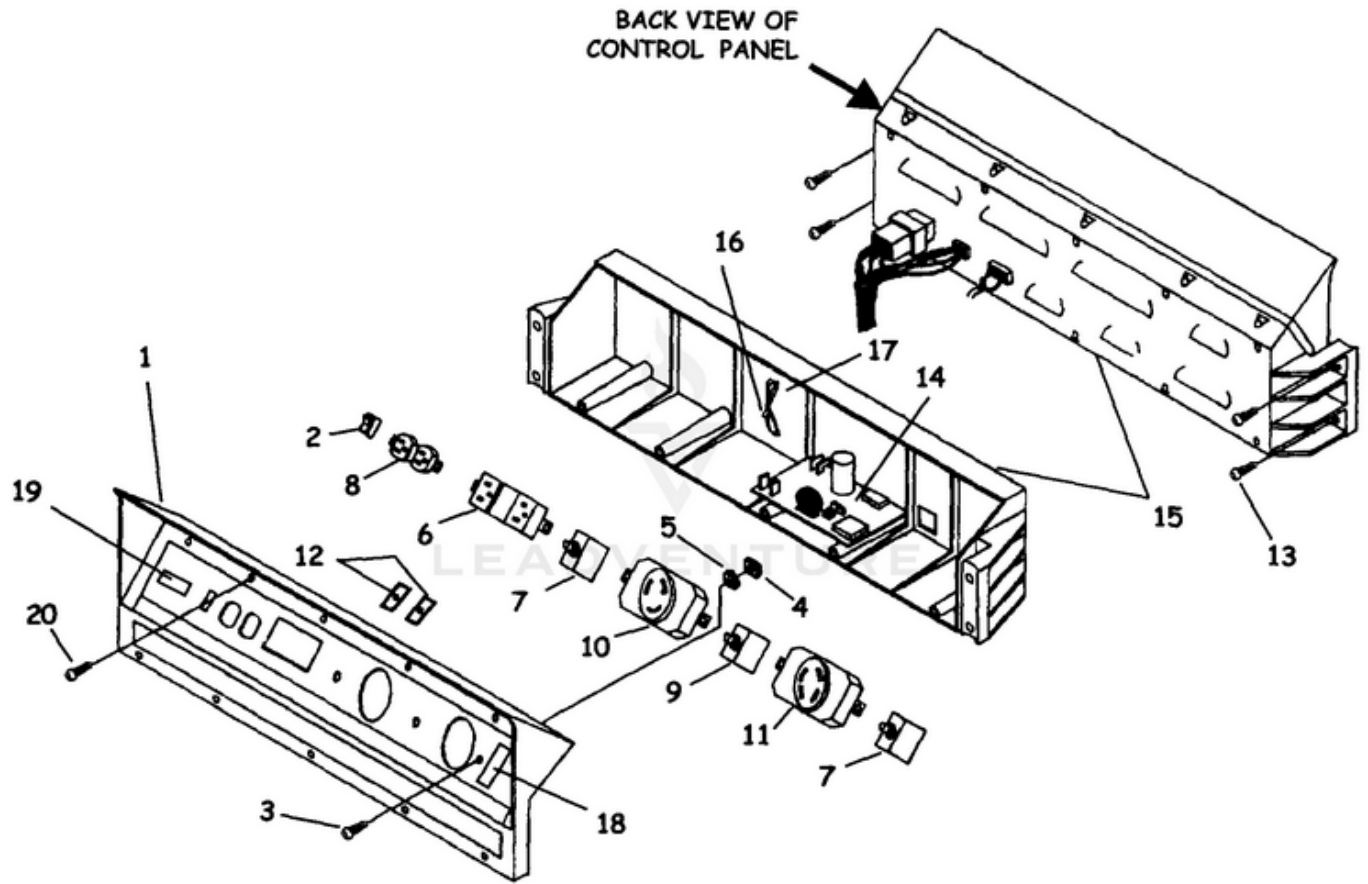
LRX4500 Generator UT-03820 - Carburetor



Rendered by Leadventure, Inc.

Ref #	Part #	Description	Qty	Context Note
1	UP04450	Carburetor	1	
2	UP04451	Throttle valve	1	
3	UP03314	Screw	2	
4	UP04453	Choke valve	1	
5	UP03316	Panhead screw	2	
6	UP04455	Pilot jet	1	
7	UP03944	Adjuster	1	
8	UP04456	Spring	1	
9	UP04457	Choke lever	1	
10	UP03320	Ring	1	
11	UP04459	Throttle shaft	1	
12	UP04460	Bolt	1	(Torque to 49 in/lbs [6.5 Nm])
13	UP03323	Ring	1	
14	UP04462	Needle valve	1	
15	UP03325	Float pin	1	
16	UP03326	Float chamber body	1	
17	UP03327	Insert washer	1	
18	UP03328	Chamber packing	1	
19	UP03329	Float	1	
20	UP04468	Main nozzle	1	
21	UP04469	Main jet	1	
22	UP03332	Clip	1	
23	UP03333	Seal	1	
24	UP04044	Adjusting screw	1	
25	UP03338	Spring	1	
26	UP03340	Cap	1	
27	UP03337	Seal	1	
28	UP04474	Guide holder	1	
29	UP03335	Packing	1	

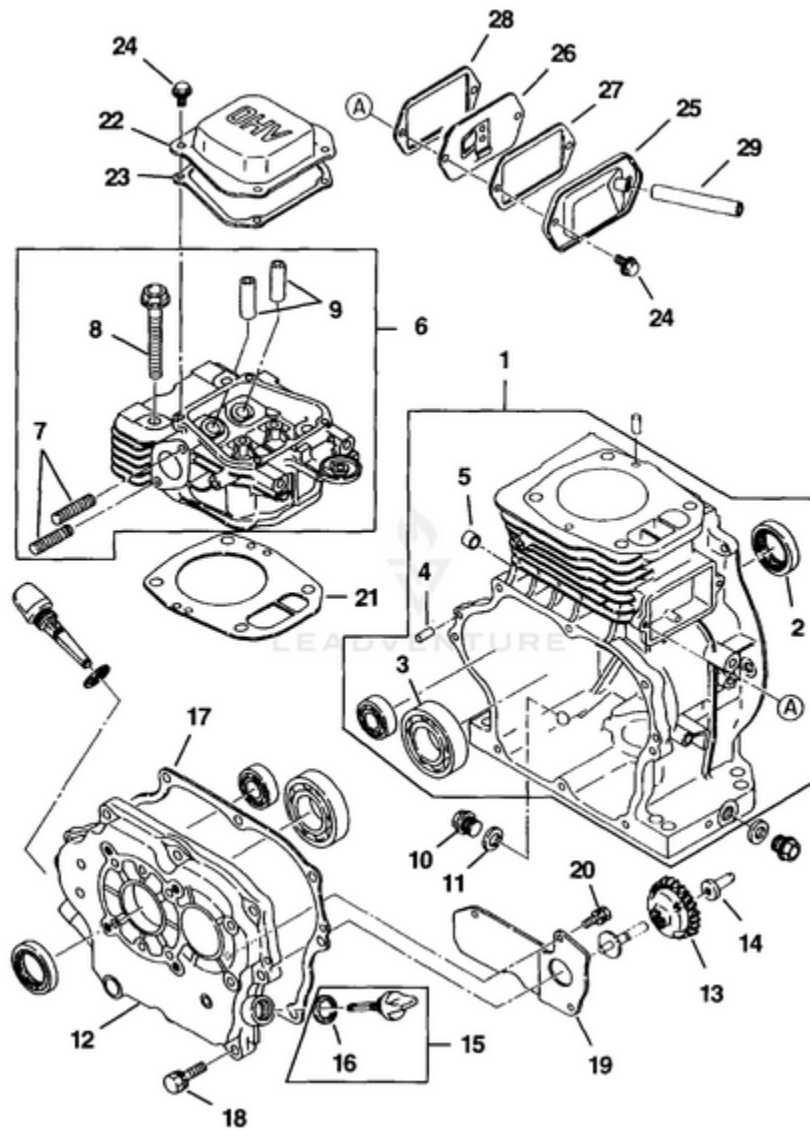
LRX4500 Generator UT-03820 - Control Panel



Rendered by LeadVenture, Inc.

Ref #	Part #	Description	Qty	Context Note
1	UP03528	Control Panel	1	(Incl. items 2 - 6)
2	02497	Switch	1	
3	80577	Screw - Pan Hd. (8-32 X 7/8")	8	
4	81009	Nut - Hex	8	
5	83022	Washer - Lock	8	
6	UP03110	Receptacle (GFCI)	1	
7	09183	Circuit Breaker (20 amp)	2	
8	51373	Receptacle - Duplex	1	
9	06692A	Circuit Breaker (30 amp)	1	
10	42601	Receptacle - Locking (120V)	1	
11	46508	Receptacle - Locking (240V)	1	
12	98792	Rubber Bumper	2	
13	96620	Screw - Torx Hd. (10-24 X 1/2")	4	
14	UP00087	Control Board	1	
15	066461	Control Panel Back	1	
16	06655	Clip, Tie	1	
17	04805	Tie, Cable	1	
18	UP04800	Volt Meter	1	
19	UP04799	Hour Meter	1	
20	82536	Screw, Plastite (8-16 X 3/4")	10	

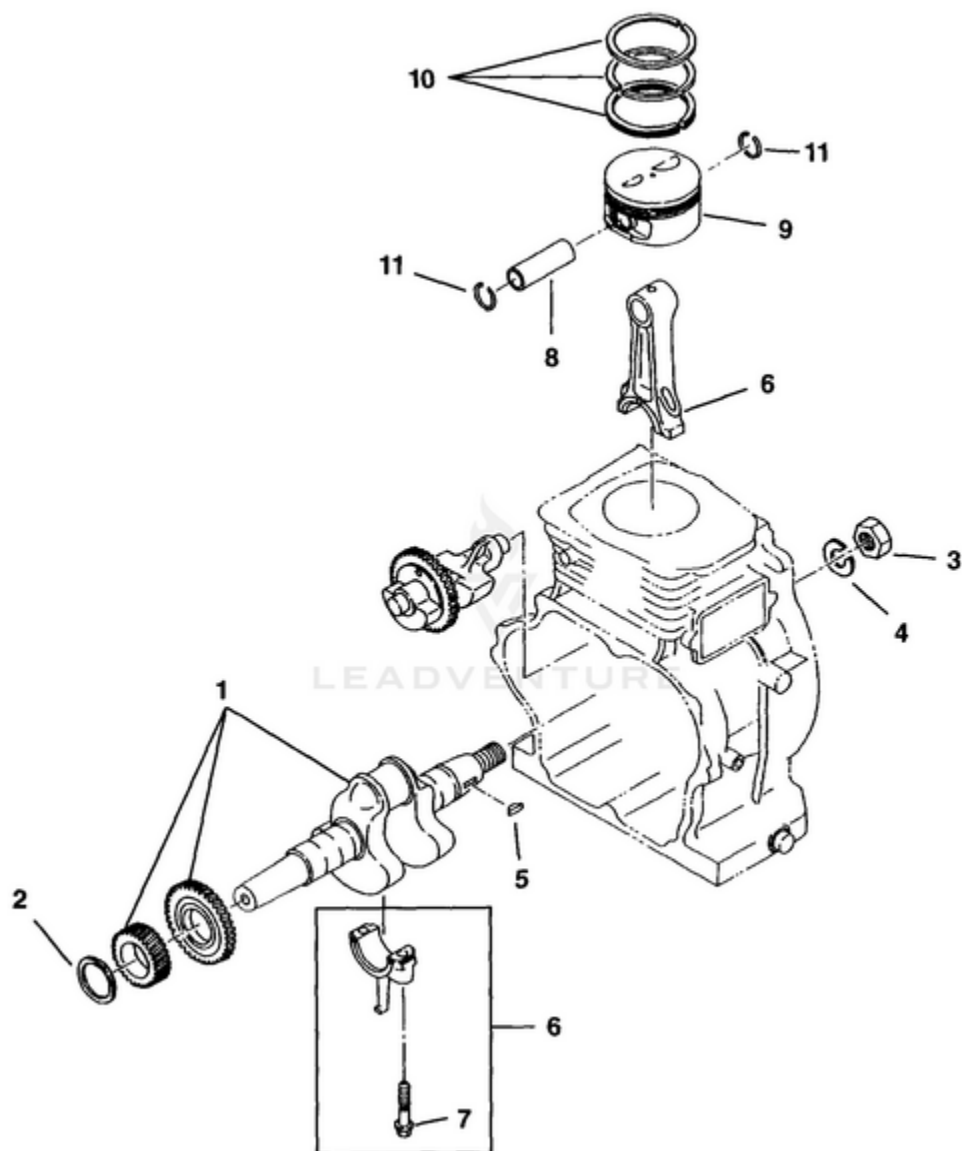
LRX4500 Generator UT-03820 - Crankcase



Rendered by LeadVenture, Inc.

Ref #	Part #	Description	Qty	Context Note
1	UP03525	Crankcase-LRX4500	1	
	UP03555	Crankcase-LRXE4500	1	
2	UP03218	Oil seal	1	
3	UP03219	Ball bearing	1	
4	UP03220	Dowel pin	2	
5	UP04071	Pipe	2	
6	UP04376	Cylinder head	1	
7	UP03221	Stud	2	
8	UP04378	Flange bolt M10 x 75	4	(Torque to 159 - 188 in/lbs [18.0 - 21.2 Nm])
9	UP03740	Valve guide	2	
10	UP03223	Plug	2	
11	UP03224	Gasket	2	
12	UP04370	Main bearing cover	1	
13	UP03228	Governor gear cp	1	
14	UP03229	Governor sleeve	1	
15	UP03230	Oil gauge & gasket set	2	
16	UP03231	Gasket	2	
17	UP04372	Bearing cover gasket	1	
18	UP04373	Bolt & washer M8 x 30	8	(Torque to 150 - 162 in/lbs [17 - 18.5 Nm])
19	UP04374	Oil shelter	1	
20	UP04375	Screw & washer	3	
21	UP04377	Head gasket	1	
22	UP04379	Rocker cover	1	
23	UP04380	Rocker cover gasket	1	
24	UP03242	Flange bolt M6 x 12	6	(Torque to 72 - 84 in/lbs [8.0 - 9.5 Nm])
25	UP04381	Breather cover	1	
26	UP04382	Breather plate	1	
27	UP04383	Breather cover gasket	1	
28	UP04384	Breather plate gasket	1	
29	UP03241	Rubber pipe	1	
30	UP04385	Gasket set	1	(Torque to 22 - 36 in/lbs [2.5 - 4.1 Nm])

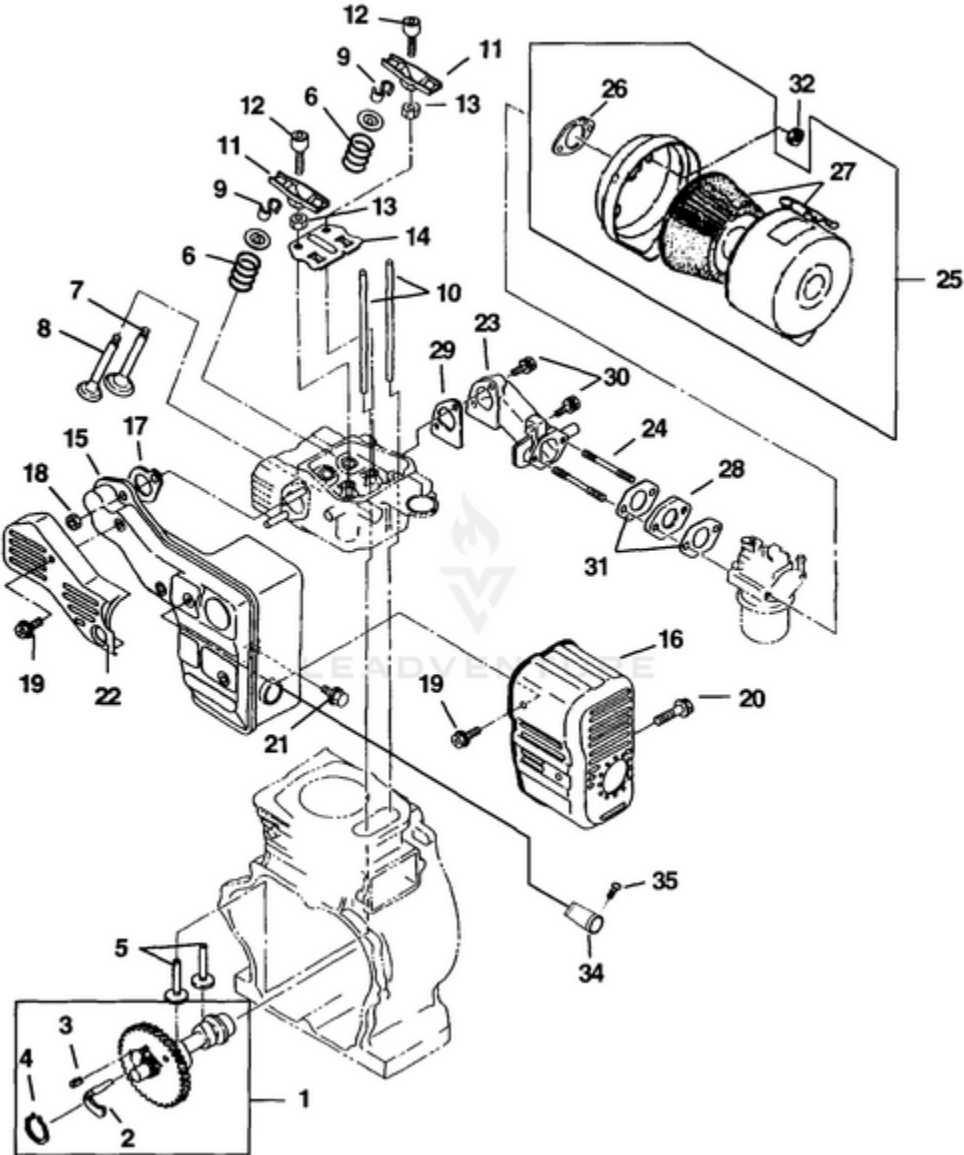
LRX4500 Generator UT-03820 - Crankshaft - Piston



Rendered by LeadVenture, Inc.

Ref #	Part #	Description	Qty	Context Note
1	UP04386	Crankshaft	1	
2	UP03246	Spacer (.6)	1	
	UP03247	Spacer (.8)	1	
	UP03248	Spacer (1.0)	1	
3	UP04390	Nut	1	(Torque to 434 - 470 in/lbs [49.0 - 53.1 Nm])
4	UP03250	Spring washer	1	
5	UP03251	Woodruff key	1	
6	UP04392	Connecting rod	1	
7	UP04393	Connecting rod bolt M8 x 46	2	(Torque to 122 - 145 in/lbs [13.8 - 16.4 Nm])
8	UP04394	Piston pin	1	
9	UP03260	Piston (std)	1	
	UP03261	Piston (.25)	1	
	UP03262	Piston (.5)	1	
10	UP04398	Piston ring set (std)	1	
	UP04399	Piston ring set (.25)	1	
	UP04400	Piston ring set (.5)	1	
11	UP04401	Clip	2	

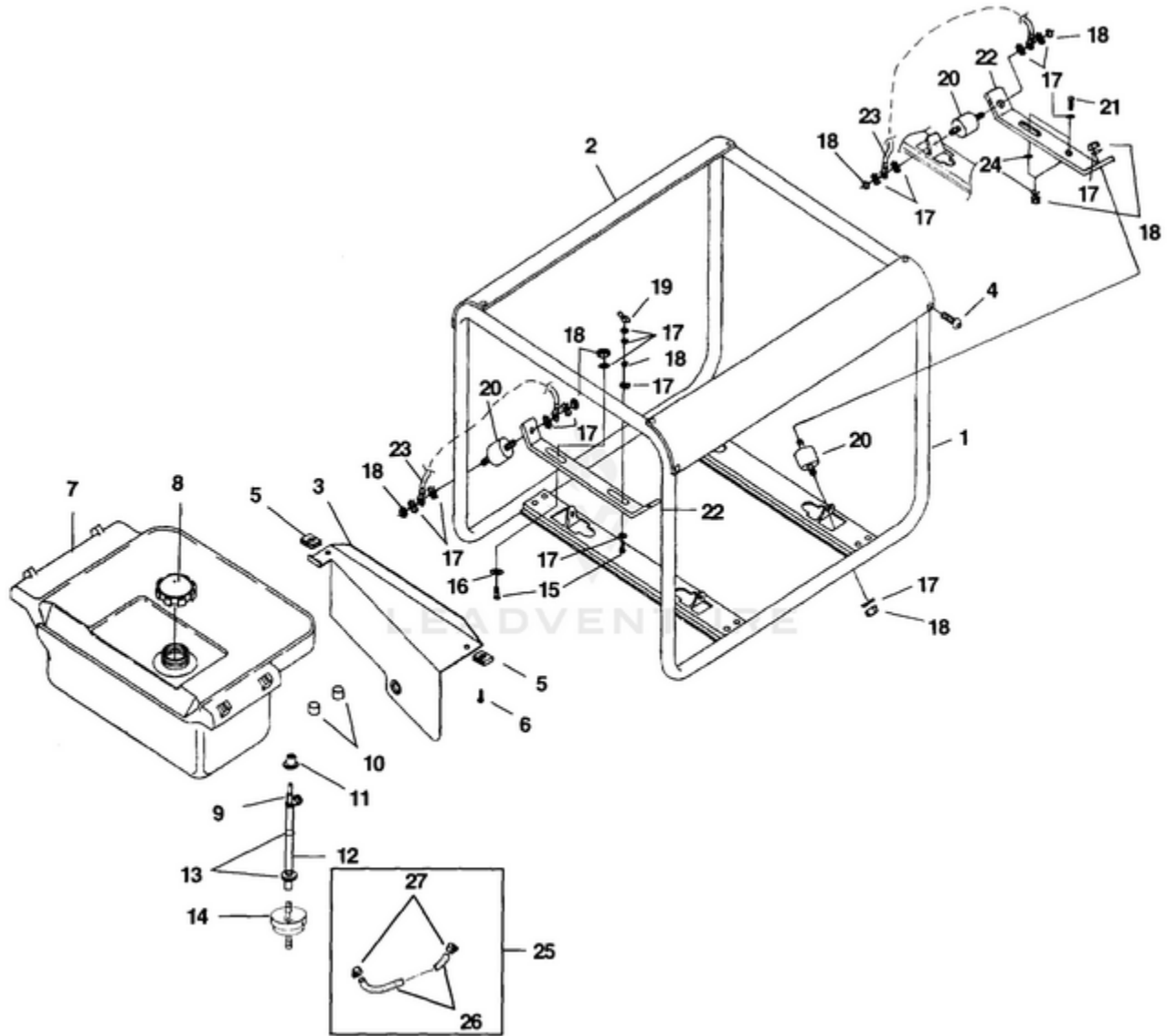
LRX4500 Generator UT-03820 - Exhaust



Rendered by LeadVenture, Inc.

Ref #	Part #	Description	Qty	Context Note
1	UP04414	Camshaft	1	
2	UP04415	Release lever	1	
3	UP03954	Spring pin	1	
4	UP03955	Snap ring	1	
5	UP03957	Tappet	2	
6	UP04416	Valve spring	2	
7	UP04417	Intake valve	1	
8	UP04418	Exhaust valve	1	
9	UP04419	Collet valve	4	
10	UP04420	Push rod	2	
11	UP03964	Rocker arm	2	
12	UP03965	Pivot bolt	2	
13	UP03966	Nut M12	2	
14	UP04421	Guide plate	1	
15	UP04422	Muffler	1	
16	UP04423	Muffler cover	1	
17	UP04424	Muffler gasket	1	
18	UP03971	Nut M8	2	(Torque to 200 - 234 in/lbs [22.5 - 26.5 Nm])
19	UP03972	Tapping bolt M8	4	(Torque to 86 - 121 in/lbs [9.8 - 13.7 Nm])
20	UP03973	Tapping bolt M8	1	(Torque to 86 - 121 in/lbs [9.8 - 13.7 Nm])
21	UP04071	Bolt & washer	1	(Torque to 51 - 65 in/lbs [5.8 - 7.3 Nm])
22	UP04425	Exhaust pipe cover	1	
23	UP04426	Intake pipe	1	
24	UP03222	Stud	2	
25	UP04428	Air cleaner	1	
26	UP04429	Packing	1	
27	UP03278	Element	1	
28	UP03279	Insulator	1	
29	UP04432	Intake pipe gasket	1	
30	UP04433	Bolt & washer M8 x 28	3	(Torque to 86 - 121 in/lbs [9.8 - 13.7 Nm])
31	UP03281	Insulator gasket	2	
32	UP03986	Nut & washer M6	2	
33	UP04435	Bolt & washer	2	
34	UP04436	Spark arrestor	1	
35	UP03989	Tapping screw	1	(Torque to 15 - 20 in/lbs [1.7 - 2.3 Nm])
36	UP03990	Choke label	1	

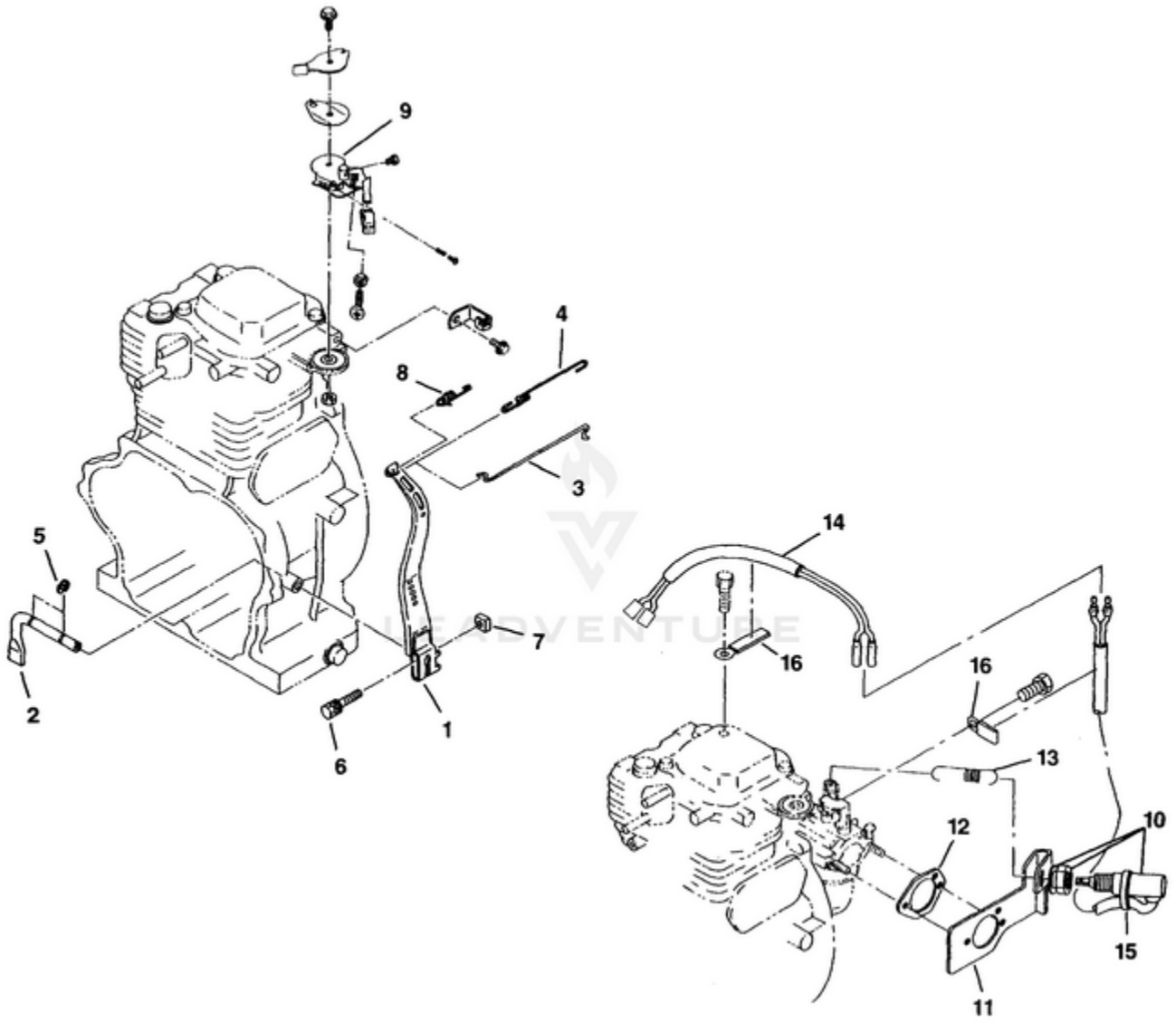
LRX4500 Generator UT-03820 - Frame -Fuel Tank



Rendered by LeadVenture, Inc.

Ref #	Part #	Description	Qty	Context Note
1	UP03376	Roll Cage	1	
2	UP03377	Brace - Tank Support	2	
3	064141	Shield - Fuel Tank	1	
4	96620	Screw - Torx (10-24 X 1/2")	8	(Torque to 25 - 35 in/lbs [2.8 - 4.0 Nm])
5	81227	Nut - Speed	2	
6	80577	Screw - Pan Hd. (8-32 X 3/8")	2	(Torque to 8 - 12 in/lbs [.9 - 1.4 Nm])
7	UP03373	Fuel Tank (5 Gal.)	1	
8	04864	Cap - Fuel (2 1/4" Dia.)	1	
9	06642	Valve - Fuel	1	
10	06644	Pad - Fuel Tank	4	
11	47222	Bushing	1	
12	4958608	Hose Fuel (8")	1	
13	49587	Clip - Hose	2	
14	UP03697	Fuel Filter	1	
15	80088	Screw - Hex Hd. (5/16-18 X 1 1/4")	2	(Torque to 145 - 155 in/lbs [16.4 - 17.5 Nm])
16	84046	Washer - Flat	1	
17	83081	Washer - Lock (int.)	12	
18	81162	Nut - Hex (5/16-18)	12	
19	81015	Nut - Wing (5/16-18)	1	
20	PS49367	Isolator	4	
21	80083	Screw - Hex Hd. (5/16-18 X 3/4")	2	(Torque to 145 - 155 in/lbs [16.4 - 17.5 Nm])
22	064121	Support - Eng/Gen	2	
23	A49399	Ground Strap	2	
24	83033	Washer, Lock -Int - Ext.	6	
25	UP04014	Fuel pipe	1	(Incl. items 26 & 27)
26	UP04015	Rubber pipe	1	
27	UP04016	Hose clamp	2	

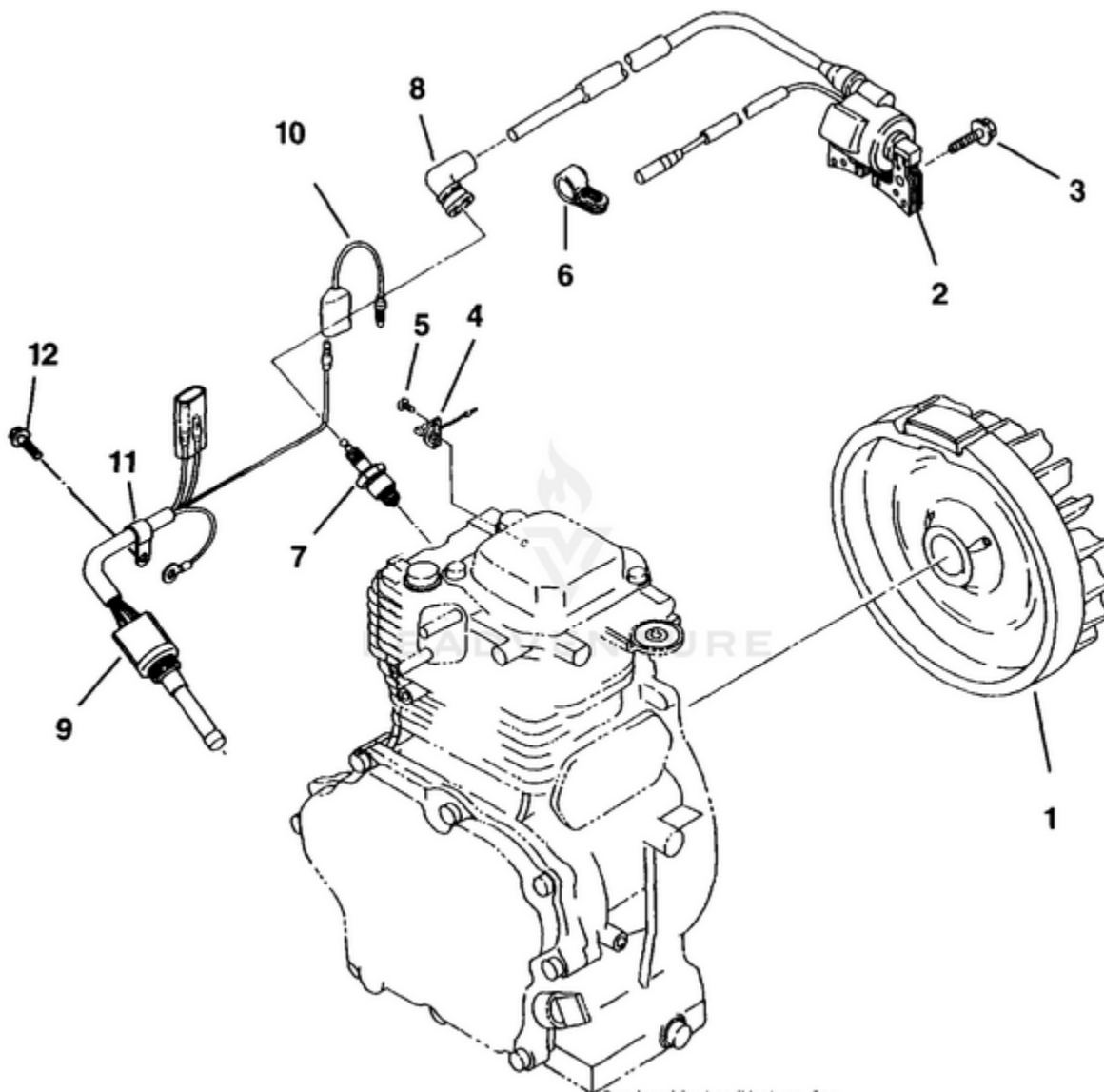
LRX4500 Generator UT-03820 - Governor



Rendered by LeadVenture, Inc.

Ref #	Part #	Description	Qty	Context Note
1	UP04437	Governor lever	1	
2	UP04438	Governor shaft	1	
3	UP04439	Governor rod	1	
4	UP04440	Rod spring	1	
5	UP03292	Clip	2	
6	UP03996	Bolt & washer M6 x 12	1	(Torque to 65 - 80 in/lbs [7.3 - 9.0 Nm])
7	UP03294	Nut	1	
8	UP04441	Governor spring	1	
9	UP03998	Speed control ay	1	
10	UP04072	Solenoid cp	1	
11	UP04527	Bracket 2	1	
12	UP03277	Gasket, air cleaner	1	
13	UP04529	Spring	1	
14	UP04076	Wire 18	1	
15	UP04530	Wire band	1	
16	UP04079	Clamp	1	

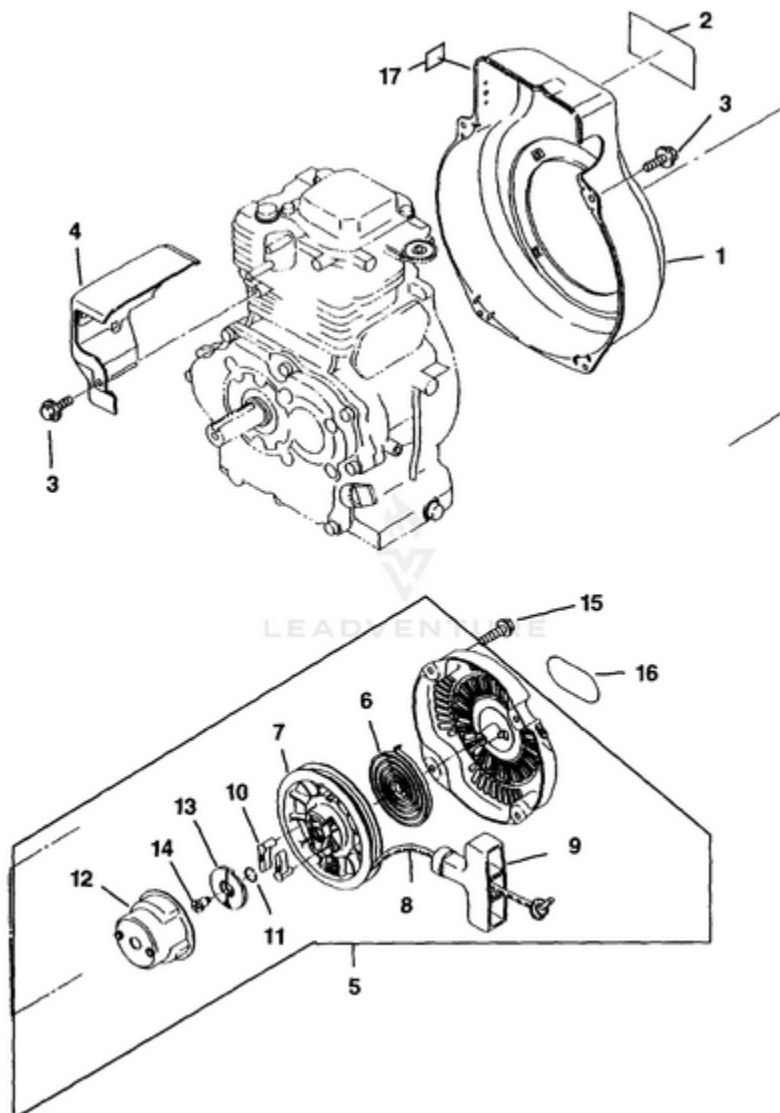
LRX4500 Generator UT-03820 - Ignition



Rendered by LeadVenture, Inc.

Ref #	Part #	Description	Qty	Context Note
1	UP04476	Flywheel	1	
2	UP04478	Ignition coil	1	
3	UP03293	Bolt & washer	2	(Torque to 15 - 20 in/lbs [1.7 - 2.3 Nm])
4	UP04065	Switch ay	1	
5	UP03347	Tapping screw	2	(Torque to 10 - 15 in/lbs [1.1 - 1.7 Nm])
6	UP04066	Clamp	1	
7	UP04484	Spark plug	1	
8	UP03351	Spark plug cap	1	(Torque to 166 - 195 in/lbs [18.8 - 22.0 Nm])
9	UP04526	Oil sensor	1	
10	UP03354	Wire 22	1	
11	UP04070	Clamp	1	
12	UP03353	Bolt & washer		

LRX4500 Generator UT-03820 - Starter



Rendered by LeadVenture, Inc.

Ref #	Part #	Description	Qty	Context Note
1	UP04442	Blower Hsg - LRX4500	1	
	UP04443	Blower Hsg - LRXE4500	1	
2	UP04444	Label	1	
3	UP03242	Flange bolt M6 x 12	5	(Torque to 51 - 65 in/lbs [5.8 - 7.3 Nm])
4	UP04445	Head cover	1	
5	UP04446	Recoil starter	1	
6	UP04005	Spiral spring	1	
7	UP04447	Reel	1	
8	0827410	Starter rope	1	
9	UP04008	Starter knob	1	
10	UP04009	Ratchet	2	
11	0827408	Friction spring	1	
12	UP04448	Starter pulley	1	
13	UP04011	Ratchet guide	1	
14	0827409	Set screw	1	(Torque to 40 - 45 in/lbs [4.5 - 5.1 Nm])
15	UP03274	Flange bolt M6 x 8	4	(Torque to 51 - 65 in/lbs [5.8 - 7.3 Nm])
16	UP04449	Label, OHV	1	
17	UP04012	Switch Label	1	