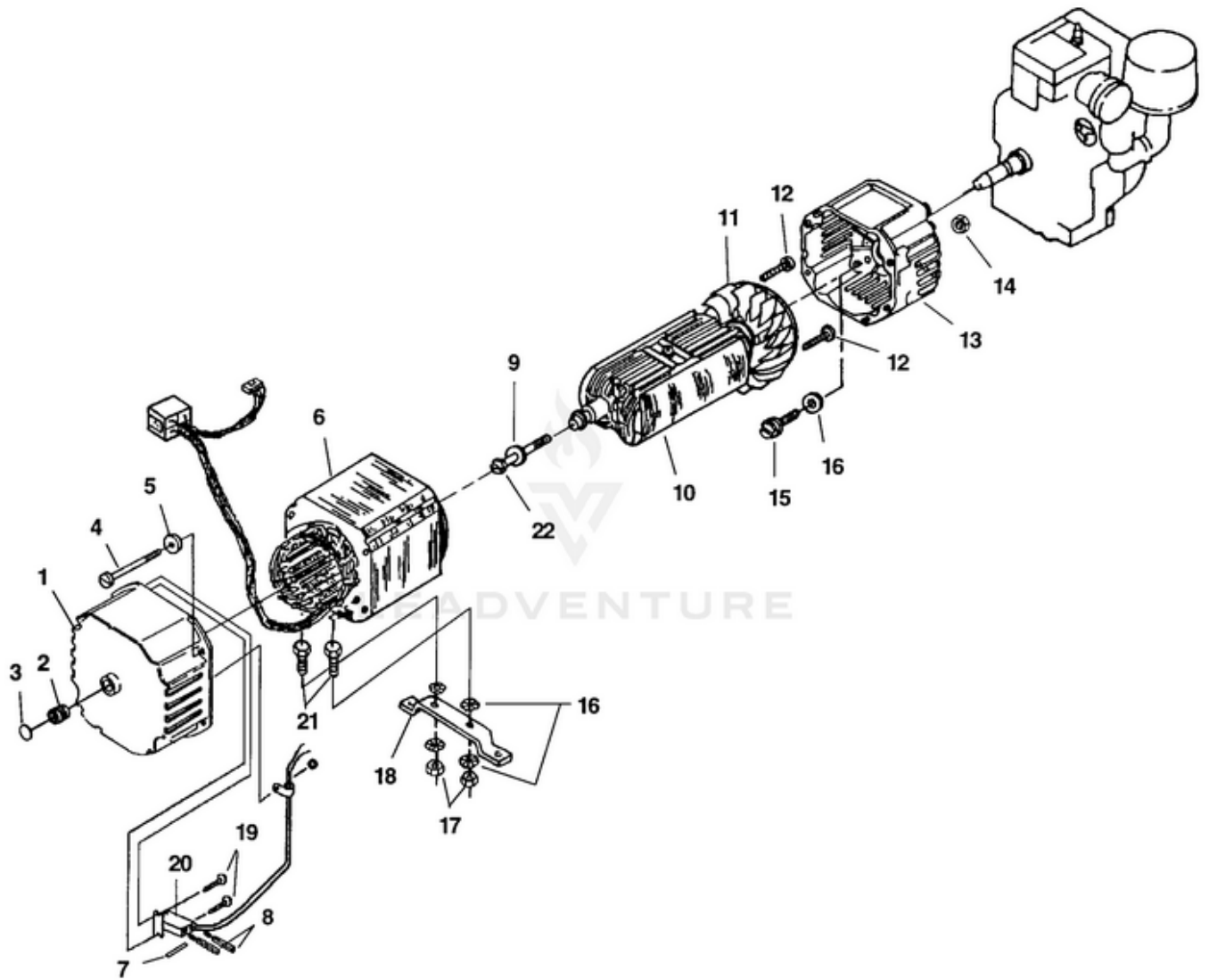


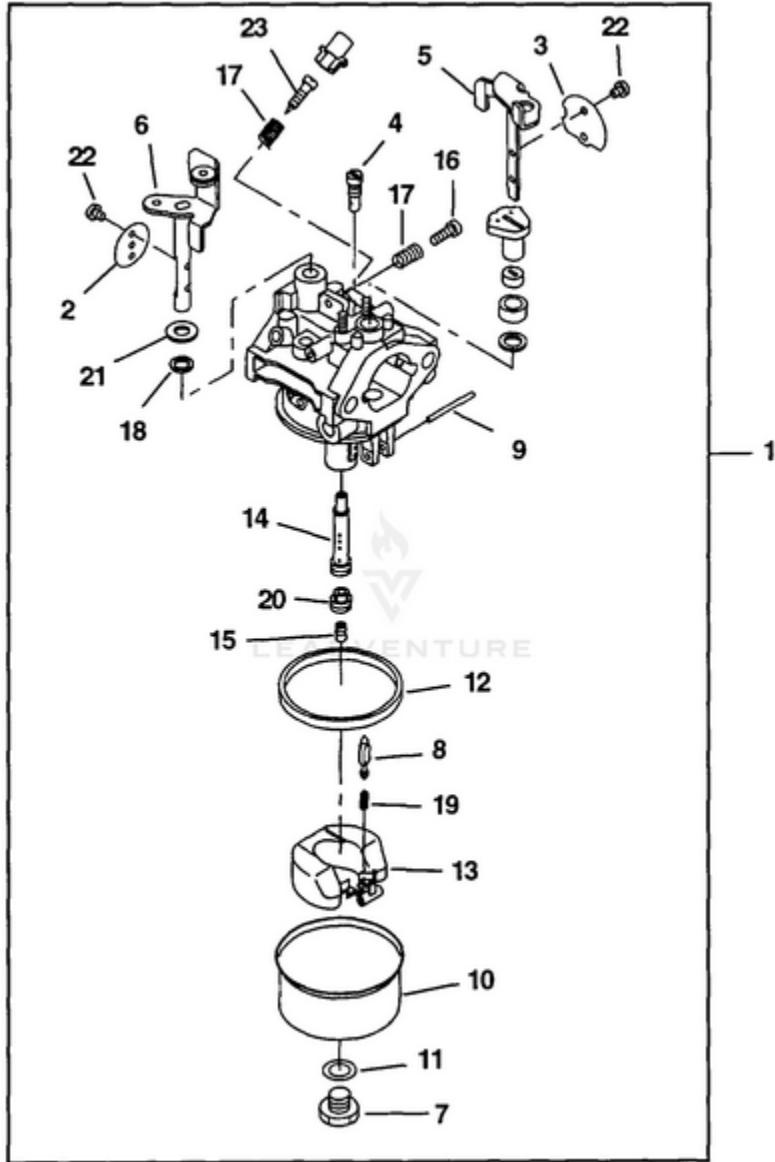
LRX3000 Generator UT-03819 - Brush Head - Generator



Rendered by LeadVenture, Inc.

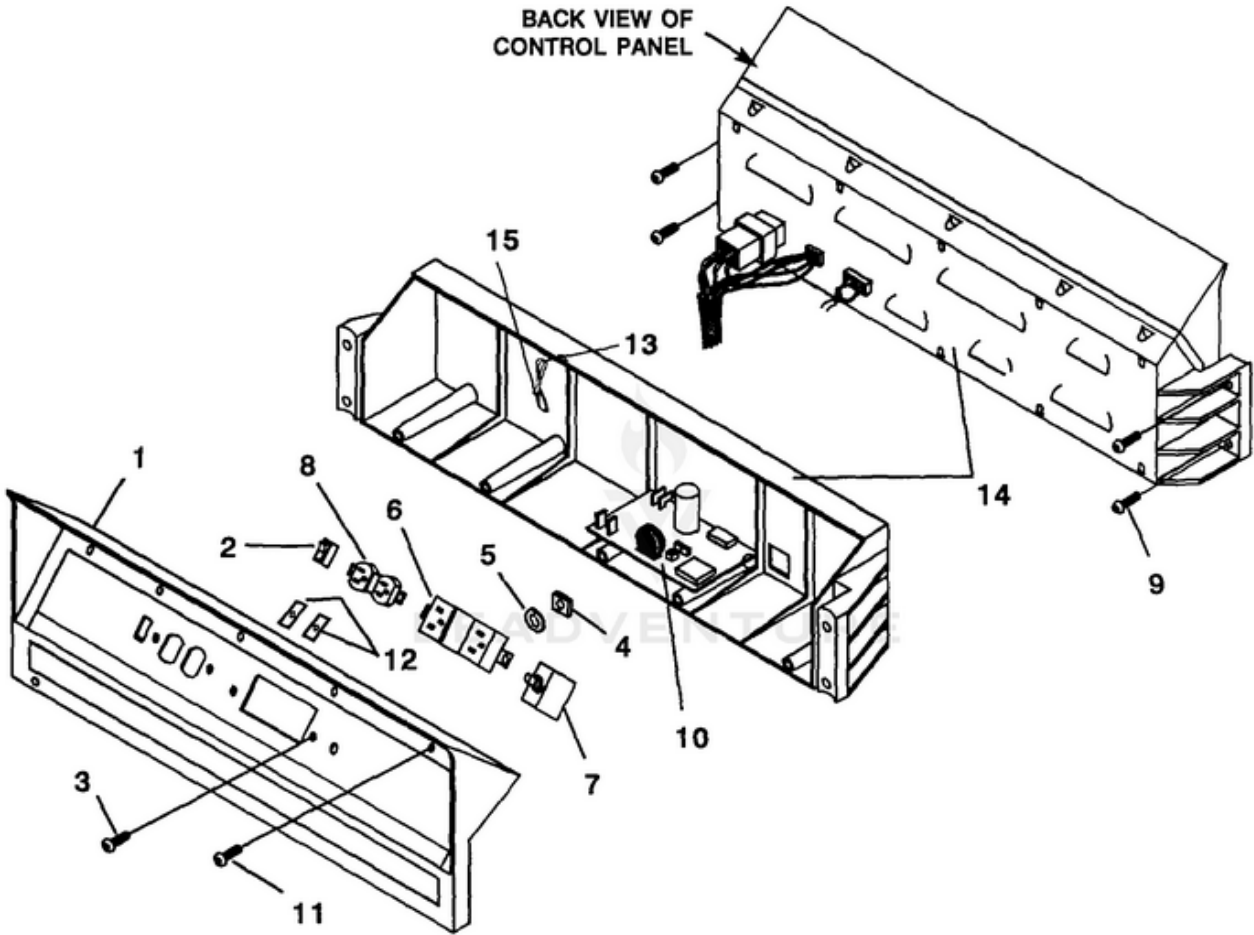
Ref #	Part #	Description	Qty	Context Note
1	UP03527	Complete Brush Head	1	(Incl. items 2 - 5)
2	03044	Bearing - Needle	1	
3	02438	Plug - Expansion	1	
4	4885305	Bolt - Stator	4	(Torque Specs 60 - 80 In/Lbs [6.8 - 9.0 Nm])
5	84124	Washer - Flat (1/4")	4	
6	UP03524	Stator & Harness	1	(Also order Decal Kit P/N UP04531)
	A03035	Brush & Retainer Kit	1	(Incl. items 7 & 8)
7	02857	Pin	1	
8	02664	Brush	2	
9	83002	Washer - Lock (5/16")	1	
10	A02800AS	Rotor	1	
11	UP03737	Fan - Generator	1	(Incl. item 12)
12	82526	Screw - Pan Hd. (6-19 X 3/4")	4	(Torque Specs 12 - 16 In/Lbs [1.4 - 1.8 Nm])
13	UP03436	End Bell	1	
14	81267	Nut - Hex (1/4-20)	4	
15	80604	Screw - Hex Hd. (5/16-24 X 3/4")	4	(Torque Specs 120 - 150 In/Lbs [13.6 - 16.9 Nm])
16	83033	Washer - Lock	8	
17	81162	Nut - Hex (5/16-18)	2	
18	028441	Bracket - Generator Support	1	
19	82526	Screw - Plastite (6-19 X 3/4")	2	(Torque Specs 12 - 16 In/Lbs [1.4 - 1.8 Nm])
20	02365	Brush Holder	1	
21	UP03381	Screw - Hex Hd. (5/16-18 X 3/4")	2	(Torque Specs 150 - 155 In/Lbs [16.9 - 17.5 Nm])
22	4885211	Bolt - Rotor	1	(Torque Specs 100 - 140 In/Lbs [11.3 - 15.8 Nm])
23	UP04371	Engine	1	(EH17)
	UP04531	Decal Kit		

LRX3000 Generator UT-03819 - Carburetor



<b>Ref #</b>	<b>Part #</b>	<b>Description</b>	<b>Qty</b>	<b>Context Note</b>
1	UP04020	Carburetor	1	
2	UP04018	Throttle valve	1	
3	UP04023	Choke valve	1	
4	UP04017	Pilot jet	1	
5	UP04007	Choke lever	1	
6	UP04024	Throttle shaft	1	
7	UP04035	Bolt	1	(Torque Specs 49 In/Lbs [6.5 Nm])
8	UP04036	Needle	1	
9	UP04037	Pin	1	
10	UP04038	Float chamber body	1	
11	UP04039	Packing	1	
12	UP04040	Chamber packing	1	
13	UP04041	Float	1	
14	UP04042	Main nozzle	1	
15	UP04043	Main jet	1	
16	UP04044	Adjusting screw	1	
17	UP04053	Spring	1	
18	UP03333	Seal	1	
19	UP04057	Spring	1	
20	UP04060	Guide holder	1	
21	UP04061	Ring	1	
22	UP03316	Screw M2.5 X 0.45 X 4L	2	
23	UP03944	Adjuster	1	
24	UP03990	Label, choke	1	(Not Shown)

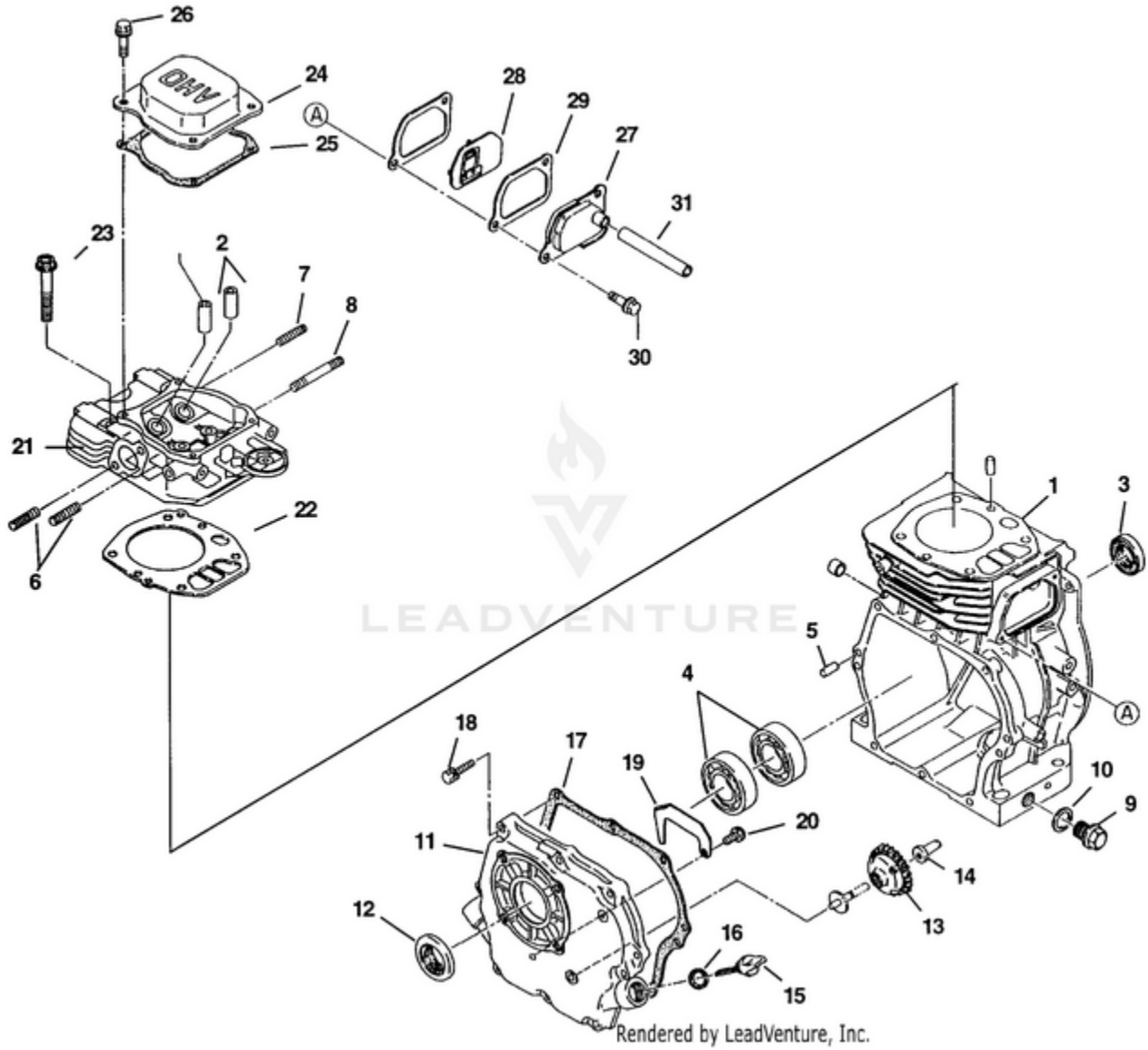
LRX3000 Generator UT-03819 - Control Panel



Rendered by LeadVenture, Inc.

Ref #	Part #	Description	Qty	Context Note
1	UP04631	Control Panel	1	(Incl. items 2 - 8; Also order Decal Kit P/N UP04531.)
2	02497	Switch	1	
3	80577	Screw - Pan Hd. (8-32 X 7/8")	4	(Torque Specs 12 - 14 In/Lbs [1.4 - 1.6 Nm])
4	81009	Nut - Hex	4	
5	83022	Washer - Lock	4	
6	UP03110	Receptacle (GFCI)	1	
7	09183	Circuit Breaker (20 amp)	1	
8	51373	Receptacle - Duplex (120 V)	1	
9	96620	Screw - Torx Hd. (10-24 X 1/2")	4	(Torque Specs 25 - 35 In/Lbs [2.8 - 4.0 Nm])
10	UP00087	Control Board	1	
11	82536	Screw - Thread Forming (8-16 X 3/4")	8	(Torque Specs 15 - 20 In/Lbs [1.7 - 2.3 Nm])
12	98792	Bumper - Rubber	2	
13	04805	Tie - Cable	1	
14	066481	Control Panel - Back	1	
15	06655	Clip, Tie	1	
	UP04531	Decal Kit		

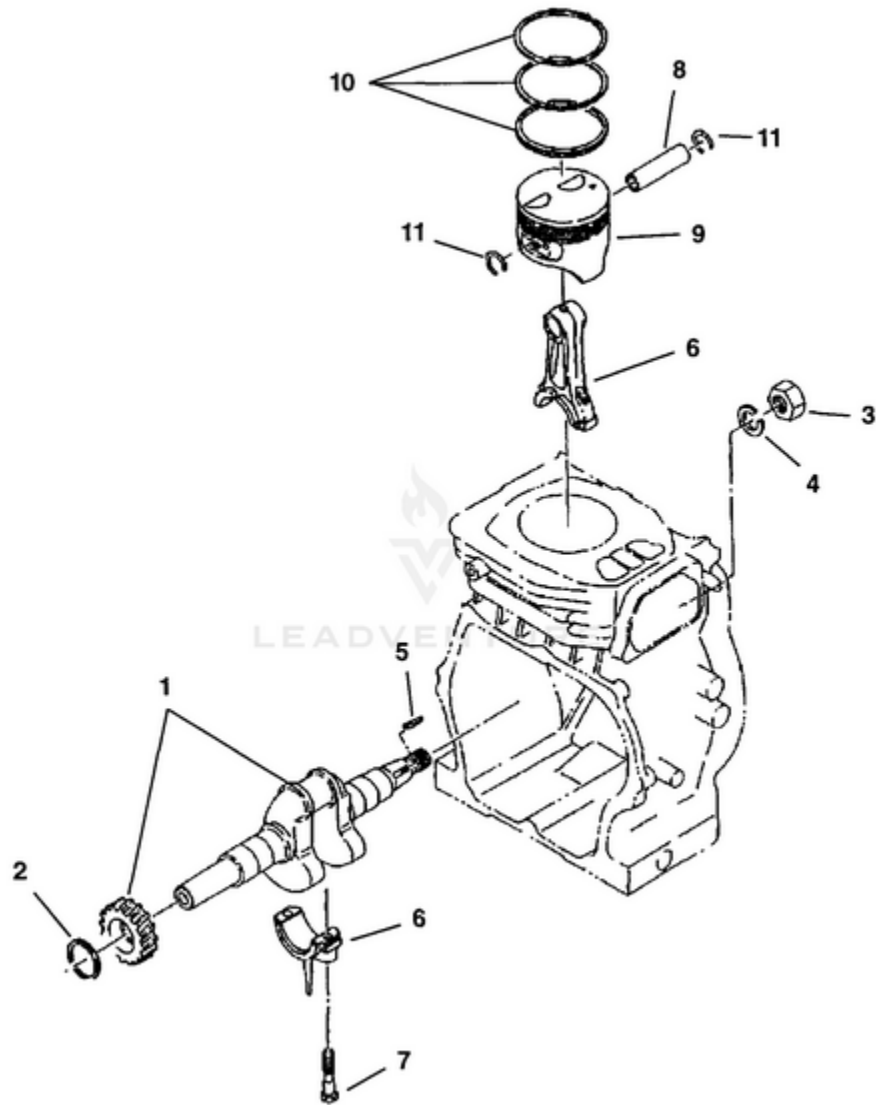
LRX3000 Generator UT-03819 - Crankcase



Ref #	Part #	Description	Qty	Context Note
1	UP03872	Crankcase	1	
2	UP03875	Valve guide	2	
3	UP03876	Oil seal	1	
4	UP03877	Ball bearing	1	
5	UP03220	Dowel pin	2	
6	UP03221	Stud M8 X 1.25 X 30L		
7	UP03878	Stud	1	
8	UP03879	Stud	1	
9	UP03223	Plug	1	
10	UP03224	Gasket	2	
11	UP03931	Main bearing cover	1	
12	UP03881	Oil seal	1	
13	UP03882	Governor gear	1	
14	UP03229	Governor sleeve	1	
15	UP03230	Oil gauge	1	
16	UP03231	Gasket	1	
17	UP03933	Bearing cover gasket	1	
18	UP03923	Bolt & washer	8	
19	UP03935	Sheltor plate	1	
20	UP03925	Screw & washer	1	
21	UP03926	Cylinder head	1	
22	UP04079	Head gasket	1	
23	UP03928	Flange bolt	4	(Torque Specs 159 - 188 In/Lbs [18.0 - 21.2 Nm])
24	UP03922	Rocker cover	1	
25	UP03929	Rocker cover gasket	1	
26	UP03242	Flange bolt M6 X 1.0 X 12L	6	(Torque Specs 72 - 84 In/Lbs [8.0 - 9.5 Nm])
27	UP03932	Breather cover	1	
28	UP03927	Breather plate	1	
29	UP03924	Breather cover gasket	1	
30	UP03300	Flange bolt M6 X 1.0 X 14L	1	(Torque Specs 22 - 36 In/Lbs [2.5 - 4.1 Nm])
31	UP03241	Rubber pipe	1	
	UP03934	Gasket set		



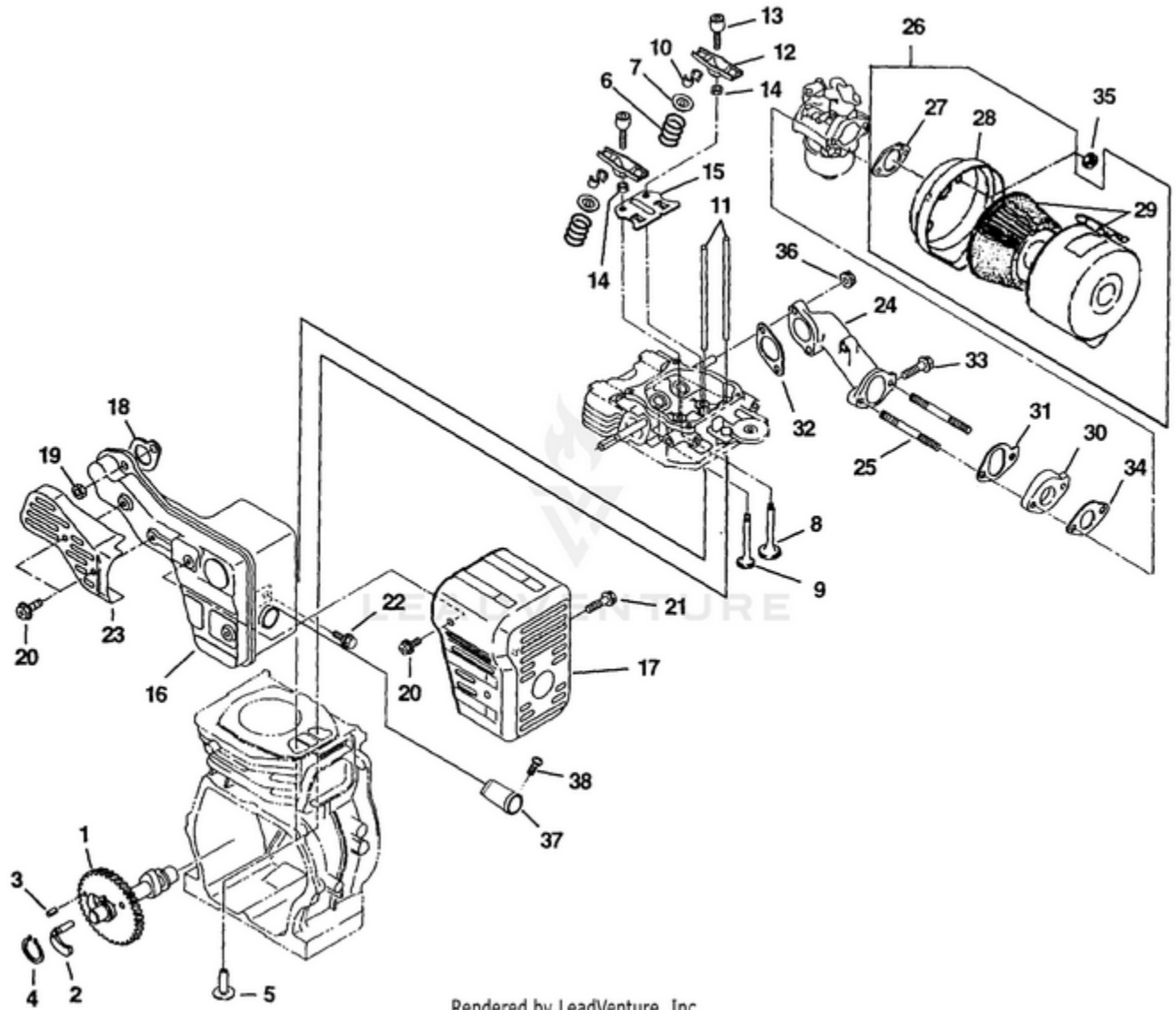
LRX3000 Generator UT-03819 - Crankshaft - Piston



Rendered by LeadVenture, Inc.

<b>Ref #</b>	<b>Part #</b>	<b>Description</b>	<b>Qty</b>	<b>Context Note</b>
1	UP03942	Crankshaft	1	
2	UP03936	Spacer	1	(.6)
	UP03937	Spacer	1	(.8)
	UP03938	Spacer	1	(1.0)
3	UP03939	Nut	1	(Torque Specs 434 - 470 In/Lbs [49.0 - 53.1 Nm])
4	UP03940	Spring washer	1	
5	UP03251	Woodruff key	1	
6	UP03949	Connecting rod	1	
7	UP03880	Connecting rod bolt	2	(Torque Specs 122 - 145 In/Lbs [13.8 - 16.4 Nm])
8	UP03945	Piston pin	1	
9	UP03946	Piston	1	(std)
	UP03947	Piston	1	(.25)
	UP03948	Piston	1	(.50)
10	UP03950	Piston ring set	1	(std)
	UP03951	Piston ring set	1	(.25)
	UP03952	Piston ring set	1	(.50)
11	UP03263	Clip	2	

LRX3000 Generator UT-03819 - Exhaust

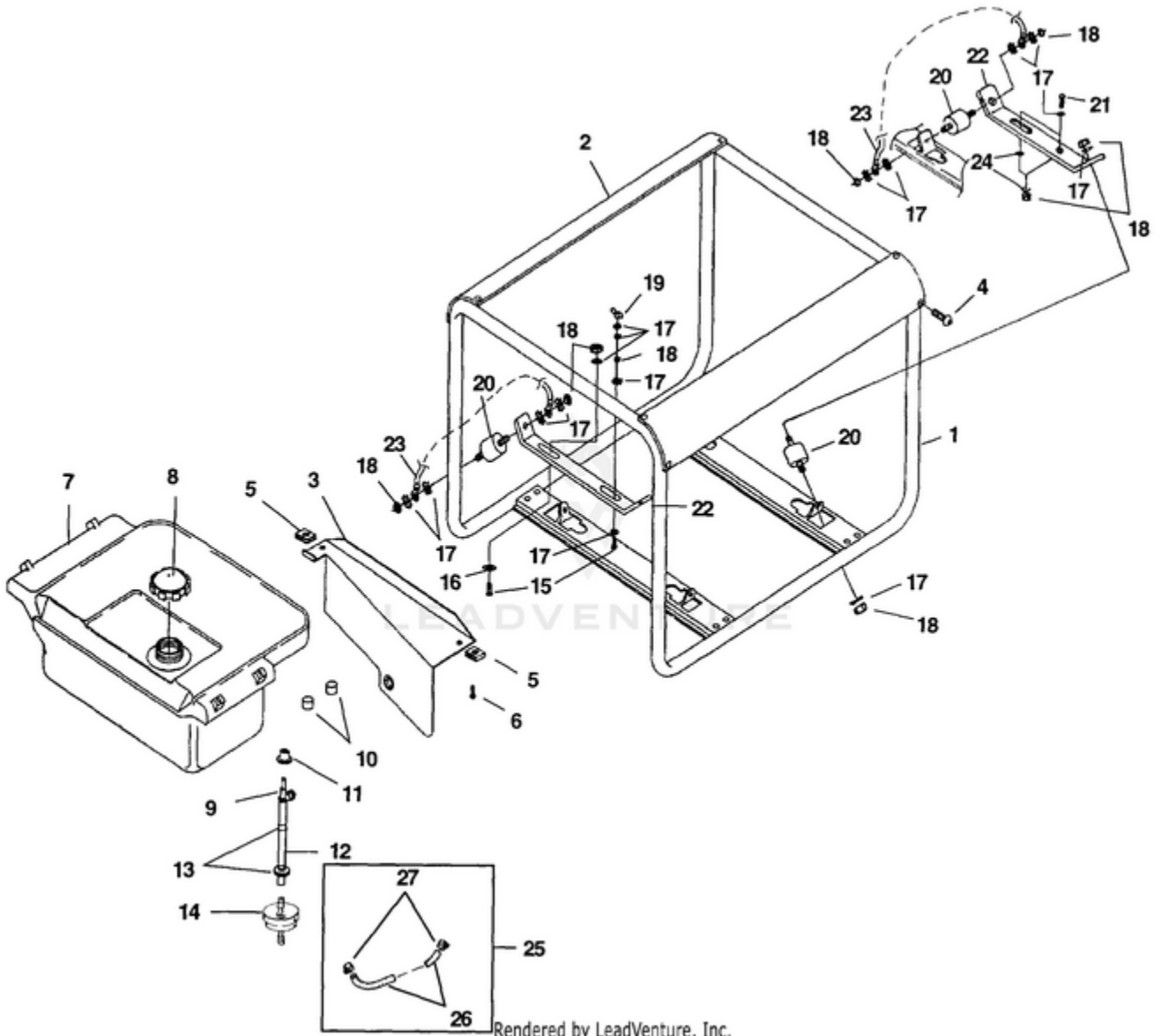


Rendered by LeadVenture, Inc.

Ref #	Part #	Description	Qty	Context Note
1	UP03977	Camshaft	1	
2	UP03953	Release lever	1	
3	UP03954	Spring pin	1	
4	UP03955	Snap ring	1	
5	UP03957	Tappet	2	
6	UP03969	Valve spring	2	
7	UP03959	Spring retainer	2	
8	UP03960	Intake valve	1	
9	UP03961	Exhaust valve	1	
10	UP03962	Collet valve	2	
11	UP03963	Push rod	2	
12	UP03964	Rocker arm	2	
13	UP03965	Pivot bolt	2	
14	UP03966	Nut	2	
15	UP03967	Guide plate	1	
16	UP03968	Muffler	1	
17	UP03970	Muffler cover	1	
18	UP03982	Muffler gasket	1	
19	UP03971	Nut M8	2	
20	UP03972	Tapping bolt M8	4	(Torque Specs 86 - 121 In/Lbs [9.8 - 13.7 Nm])
21	UP03973	Tapping bolt M8	1	(Torque Specs 86 - 121 In/Lbs [9.6 - 13.7 Nm])
22	UP03242	Flange bolt M6 X 1.0 X 12L	2	(Torque Specs 51 - 65 In/Lbs [5.8 - 7.3 Nm])
23	UP03974	Exhaust pipe cover	1	
24	UP03958	Intake pipe	1	
25	UP03976	Stud	2	
26	UP03981	Air cleaner assy	1	(Incl. items 27 - 29)
27	UP03978	Packing	1	
28	UP03979	Plate	1	
29	UP03980	Element	1	
30	UP03975	Insulator	1	
31	UP03991	Insulator gasket	1	
32	UP03983	Insulator gasket	1	
33	UP03984	Flange bolt	1	(Torque Specs 86 - 121 In/Lbs [9.8 - 13.7 Nm])
34	UP03985	Insulator gasket	1	
35	UP03986	Nut & washer M6	2	
36	UP03987	Flange nut	2	(Torque Specs 120 - 140 In/Lbs [13.6 - 15.8 Nm])
37	UP03988	Spark arrestor	1	

<b>Ref #</b>	<b>Part #</b>	<b>Description</b>	<b>Qty</b>	<b>Context Note</b>
38	UP03989	Tapping screw	1	(Torque Specs 15 - 20 In/Lbs [1.7 - 2.3 Nm])
	UP03934	Gasket Set		

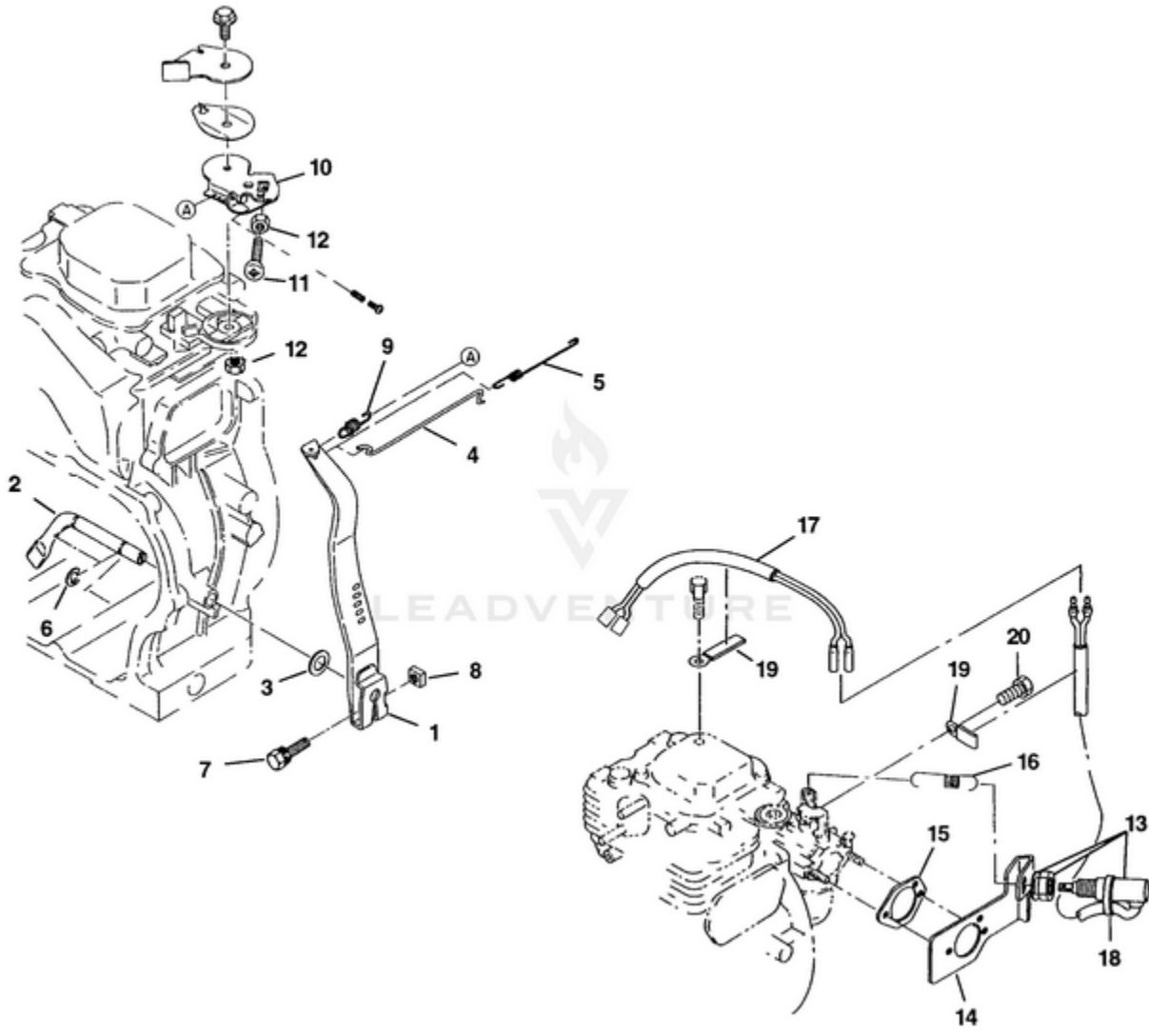
LRX3000 Generator UT-03819 - Frame -Fuel Tank



Rendered by LeadVenture, Inc.

Ref #	Part #	Description	Qty	Context Note
1	UP03509	Roll Cage	1	
2	UP03448	Brace - Tank Support	2	
3	064141	Shield - Fuel Tank	1	
4	96620	Screw - Torx (10-24 X 1/2")	8	(Torque Specs 25 - 35 In/Lbs [2.8 - 4.0 Nm])
5	81227	Nut - Speed	2	
6	80577	Screw - Pan Hd. (8-32 X 3/8")	2	(Torque Specs 8 - 12 In/Lbs [.9 - 1.4 Nm])
7	UP03439	Fuel Tank (5 Gal.)	1	
8	04864	Cap - Fuel (2 1/4" Dia.)	1	
9	06642	Valve - Fuel	1	
10	06644	Pad - Fuel Tank	4	
11	47222	Bushing	1	
12	4958608	Hose - Fuel (8")	1	
13	49587	Clip - Hose	2	
14	UP03697	Fuel Filter	1	
15	80088	Screw - Hex Hd. (5/16-18 X 1 1/4")	2	(Torque Specs 145 - 155 In/Lbs [16.4 - 17.5 Nm])
16	84046	Washer - Flat	1	
17	83081	Washer - Lock (int.)	12	
18	81162	Nut - Hex (5/16-18)	12	
19	81015	Nut - Wing (5/16-18)	1	
20	PS49367	Isolator	4	
21	80083	Screw - Hex Hd. (5/16-18 X 3/4")	2	(Torque Specs 145 - 155 In/Lbs [16.4 - 17.5 Nm])
22	064121	Support - Eng/Gen	2	
23	A49399	Ground Strap	2	
24	83033	Washer, Lock -Int -Ext.	6	
25	UP04014	Fuel pipe	1	(Incl. items 26 & 27)
26	UP04015	Rubber pipe	1	
27	UP04016	Hose clamp	2	

LRX3000 Generator UT-03819 - Governor

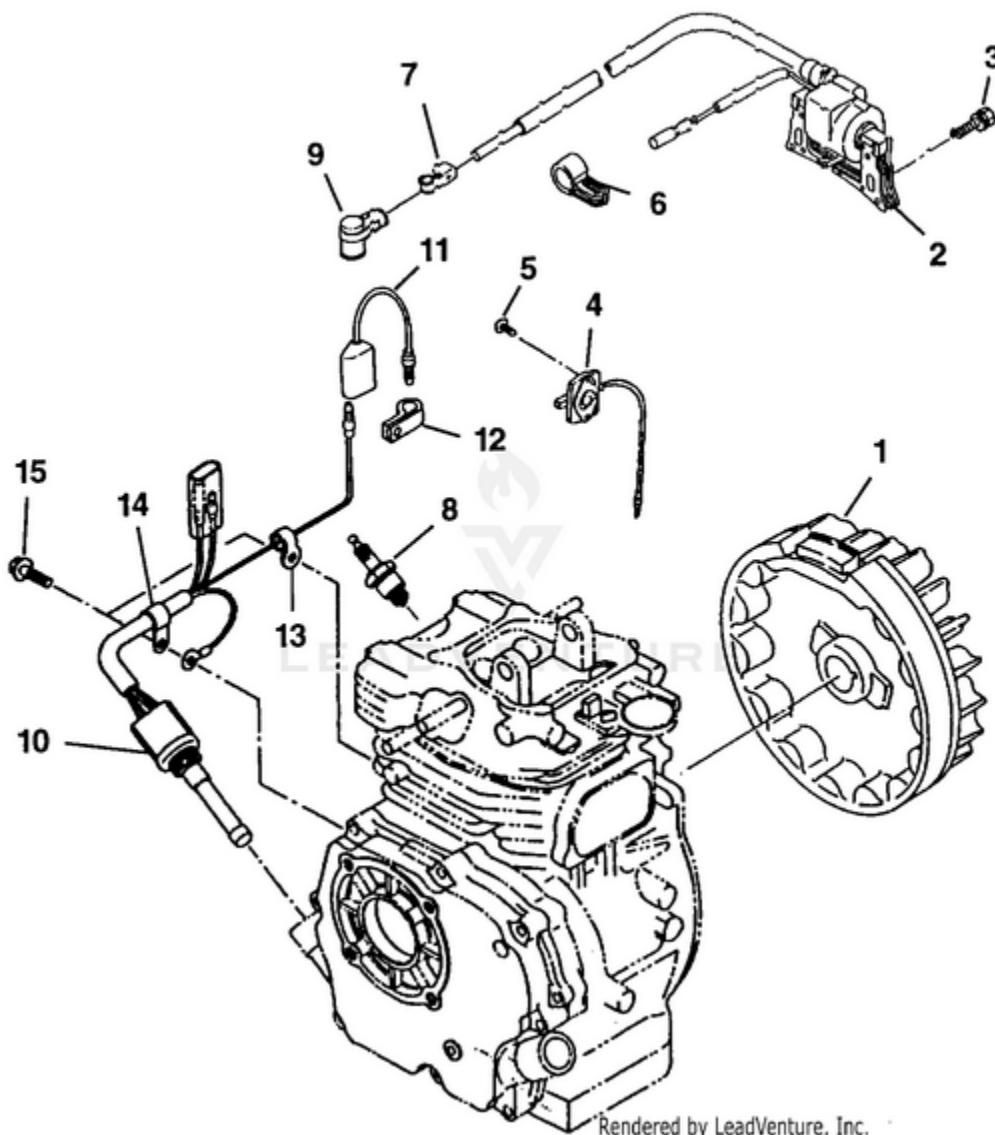


Rendered by LeadVenture, Inc.



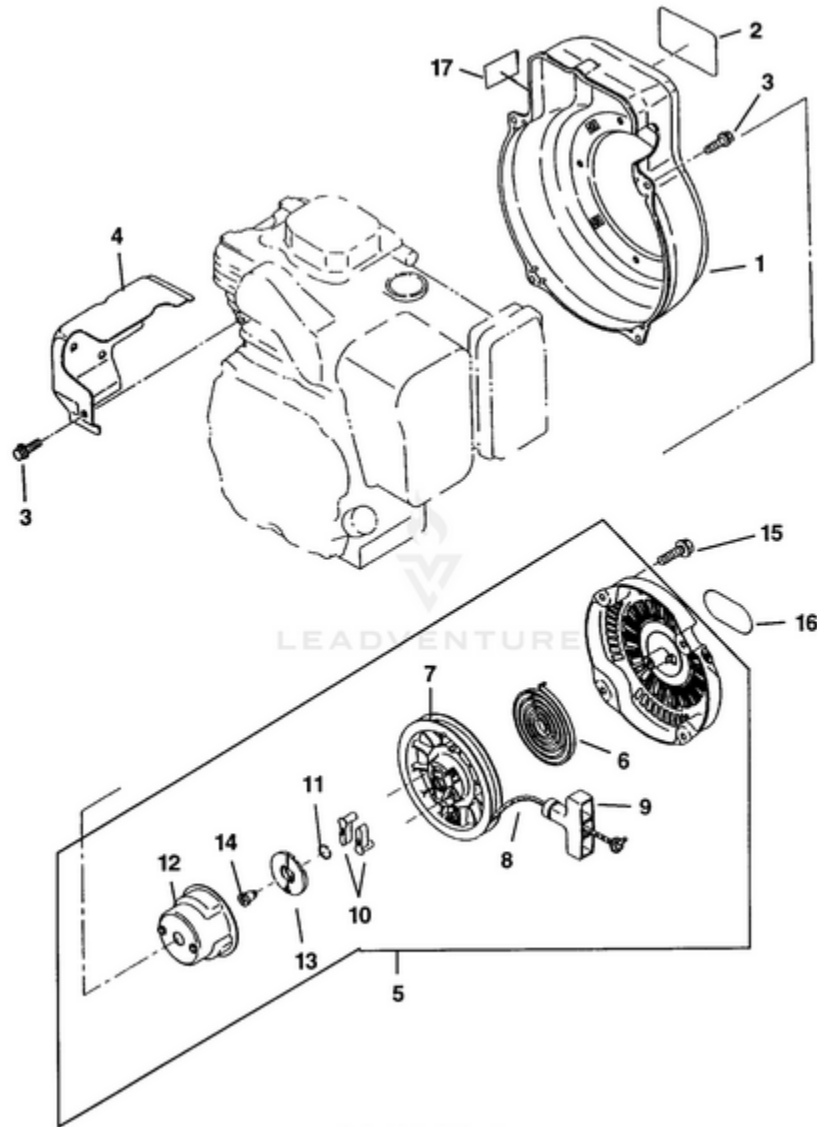
<b>Ref #</b>	<b>Part #</b>	<b>Description</b>	<b>Qty</b>	<b>Context Note</b>
1	UP03997	Governor lever	1	
2	UP03992	Governor shaft	1	
3	UP03993	Washer		
4	UP03995	Governor rod	1	
5	UP04001	Rod spring	1	
6	UP03292	Clip	2	
7	UP03996	Bolt & washer M6 X 12	1	(Torque Specs 65 - 80 In/Lbs [7.3 - 9.0 Nm])
8	UP03294	Nut M6 X 1.0	1	
9	UP03994	Governor spring	1	
10	UP03998	Speed control assy	1	
11	UP03999	Screw	1	(Torque Specs 15 - 20 In/Lbs [1.7 - 2.3 Nm])
12	UP03299	Nut M6 X 1.0	1	(Torque Specs 15 - 20 In/Lbs [1.7 - 2.3 Nm])
13	UP04072	Solenoid	1	
14	UP04073	Solenoid bracket	1	
15	UP04074	Insulator gasket	1	
16	UP04075	Spring	1	
17	UP04076	Wire 18	1	
18	UP04077	Wire band	1	
19	UP04078	Clamp	2	
20	UP04080	Tapping screw	1	

LRX3000 Generator UT-03819 - Ignition



<b>Ref #</b>	<b>Part #</b>	<b>Description</b>	<b>Qty</b>	<b>Context Note</b>
1	UP04063	Flywheel	1	
2	UP04064	Ignition coil	1	
3	UP03293	Bolt & washer M6 X 1.0 X 25L	2	(Torque Specs 15 - 20 In/Lbs [1.7 - 2.3 Nm])
4	UP04065	Switch assy	1	
5	UP03347	Tapping screw M4 X 07 X 8L	2	(Torque Specs 10 - 15 In/Lbs [1.1 - 1.7 Nm])
6	UP04066	Clamp	1	
7	UP03356	Plug terminal	1	
8	UP04067	Spark plug	1	(Torque Specs 166 - 195 In/Lbs [18.8 - 22.0 Nm])
9	UP04068	Spark plug cap	1	
10	UP04069	Oil sensor	1	
11	UP03354	Wire 22	1	
12	UP03349	Clamp	1	
13	UP03355	Clamp	1	
14	UP04070	Clamp	1	
15	UP03353	Bolt & washer	2	

LRX3000 Generator UT-03819 - Starter



Rendered by Leadventure, Inc.

<b>Ref #</b>	<b>Part #</b>	<b>Description</b>	<b>Qty</b>	<b>Context Note</b>
1	UP04003	Blower housing	1	
2	UP04002	Label, trademark		
3	UP03242	Flange bolt M6 X 12	5	(Torque Specs 51 - 65 In/Lbs [5.8 - 7.3 Nm])
4	UP04019	Head cover	1	
5	UP04004	Recoil starter	1	(Incl. items 6 - 14)
6	UP04005	Spiral spring	1	
7	UP04006	Reel	1	
8	0827410	Starter rope	1	
9	UP04008	Starter knob	1	
10	UP04009	Ratchet	2	
11	0827406	Friction spring	1	
12	UP04010	Starter pulley	1	
13	UP04011	Ratchet guide	1	
14	0827409	Set screw	1	(Torque Specs 40 - 45 In/Lbs [4.5 - 5.1 Nm])
15	UP03274	Flange bolt M6 X 1.0 X 8L	4	(Torque Specs 51 - 65 In/Lbs [5.8 - 7.3 Nm])
16	UP04013	Label, OHV	1	
17	UP04012	Label, switch	1	