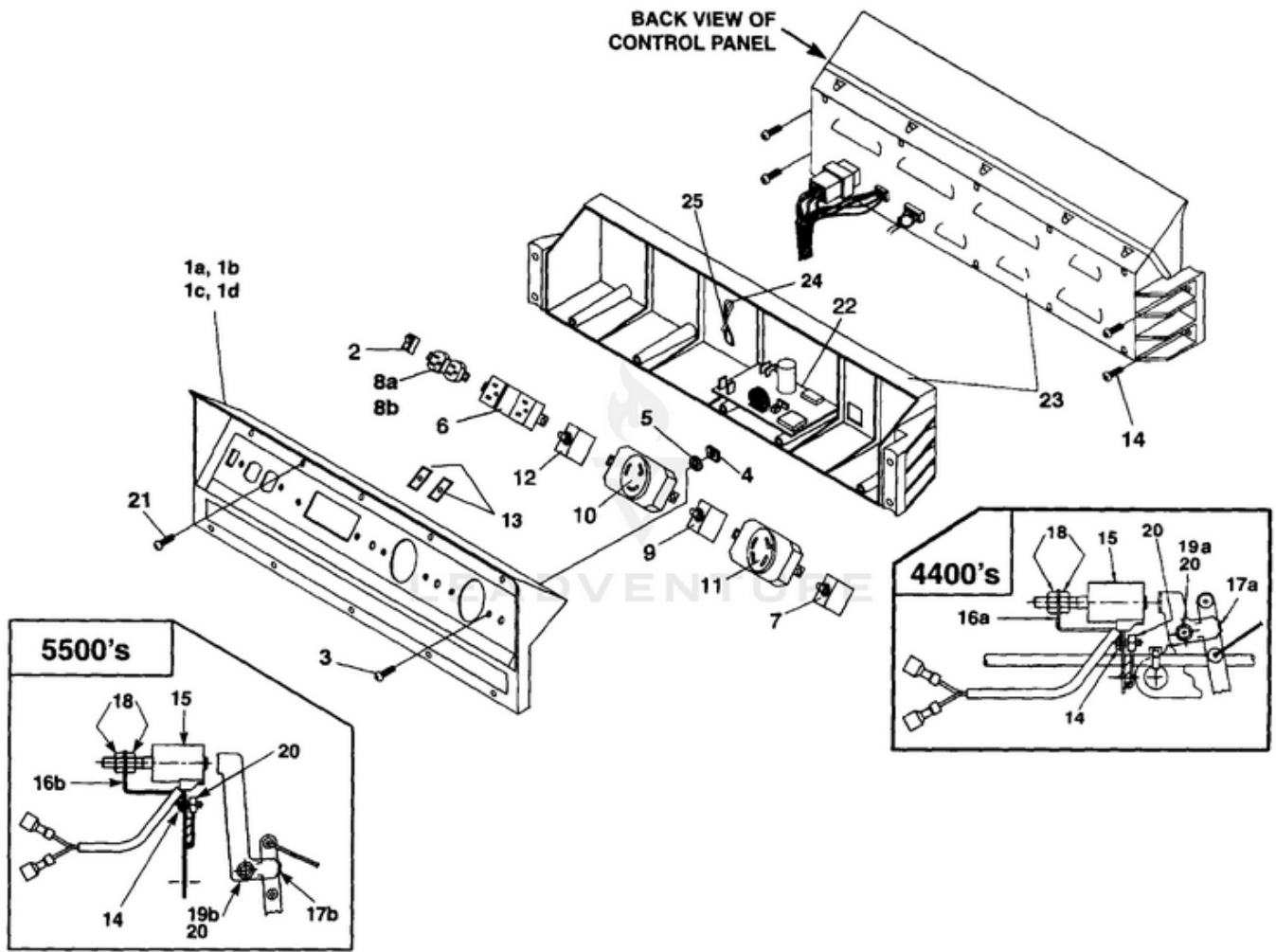


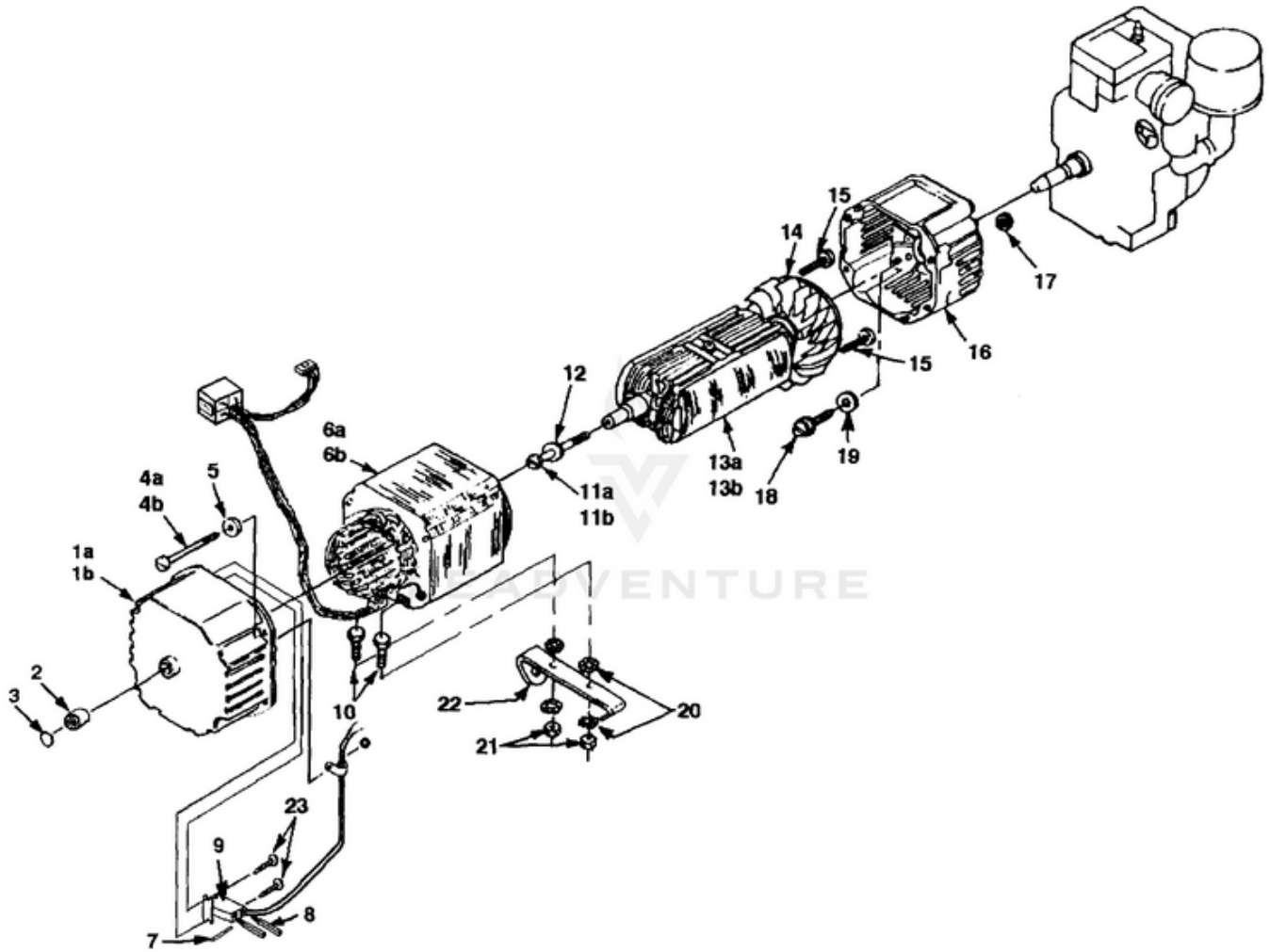
LRIE5500 Generator UT-03778-A - Control Panel



Rendered by LeadVenture, Inc.

| Ref # | Part # | Description | Qty | Context Note |
|-------|---------|--|-----|--|
| 1A | A07101A | CONTROL PANEL (LRI4400, LRIE4400) | 1 | |
| 1B | A07067A | CONTROL PANEL (LRI5500, LRIE5500) | 1 | |
| 1C | A07122 | CONTROL PANEL (LRI4400/CSA, LRIE4400/CSA) | 1 | |
| 1D | A07121 | CONTROL PANEL (LRI5500/CSA, LRIE5500/CSA) | | |
| 2 | 02497 | SWITCH | 1 | |
| 3 | 80577 | SCREW-Pan Hd. (8-32 X 7/8") | 8 | |
| 4 | 81009 | NUT-Hex | 8 | |
| 5 | 83022 | WASHER-Lock | 8 | |
| 6 | 04058 | RECEPTACLE (GFCI) | 1 | |
| 7 | 49831A | CIRCUIT BREAKER (20 amp) | 2 | |
| 8A | 51373 | RECEPTACLE-Duplex (LRI4400, LRIE4400, LRI5500, LRIE5500) | 1 | |
| 8B | 49803A | RECEPTACLE-Duplex (120 V) (LRI4400/CSA) | 1 | |
| 9 | 06692A | CIRCUIT BREAKER (30 amp) | 1 | |
| 10 | 42601 | RECEPTACLE-Locking (120V) | 1 | |
| 11 | 46508 | RECEPTACLE-Locking (240V) | 1 | |
| 12 | 01649A | CIRCUIT BREAKER (15 amp) | 2 | (LRI4400/CSA, LRIE4400/CSA, LRI5500/CSA, LRIE5500/CSA, LRIE4400/CSA, LRI5500/CSA, LRIE/5500/CSA) |
| 13 | 98792 | RUBBER BUMPER | 2 | |
| 14 | 96620 | SCREW-Torx Hd. (10-24 X 1/2) | 4 | |
| 15 | A07062 | ELECTROMAGNET | 1 | |
| 16A | 070781 | BRACKET (8HP) (4400's) | 1 | |
| 16B | 070661 | BRACKET (11HP) (5500's) | 1 | |
| 17A | 070791 | PADDLE (8HP) (4400's) | 1 | |
| 17B | 070651 | PADDLE (11HP) (5500's) | 1 | |
| 18 | 810652 | NUT-Hex (1/4-28) (4400 & 5500) | 2 | |
| 19A | 80049 | SCREW-Hex Hd. (1/4-20 X 5/8") (4400 & 5500) | 1 | |
| 19B | 80049 | SCREW-Hex Hd. (1/4-20 X 5/8") (4400 & 5500) | 1 | |
| 20 | 81227 | SPEED Nut (8-32) (4400 & 5500) | 2 | |
| 21 | 82536 | SCREW-Plastite (8-16 X 3/4") | 10 | |
| 22 | A06257 | CONTROL BOARD | 1 | |
| 23 | 066461 | CONTROL PANEL-Back | 1 | |
| 24 | 46840 | TIE, Cable | 1 | |
| 25 | 06655 | Clip, Tie | 1 | |

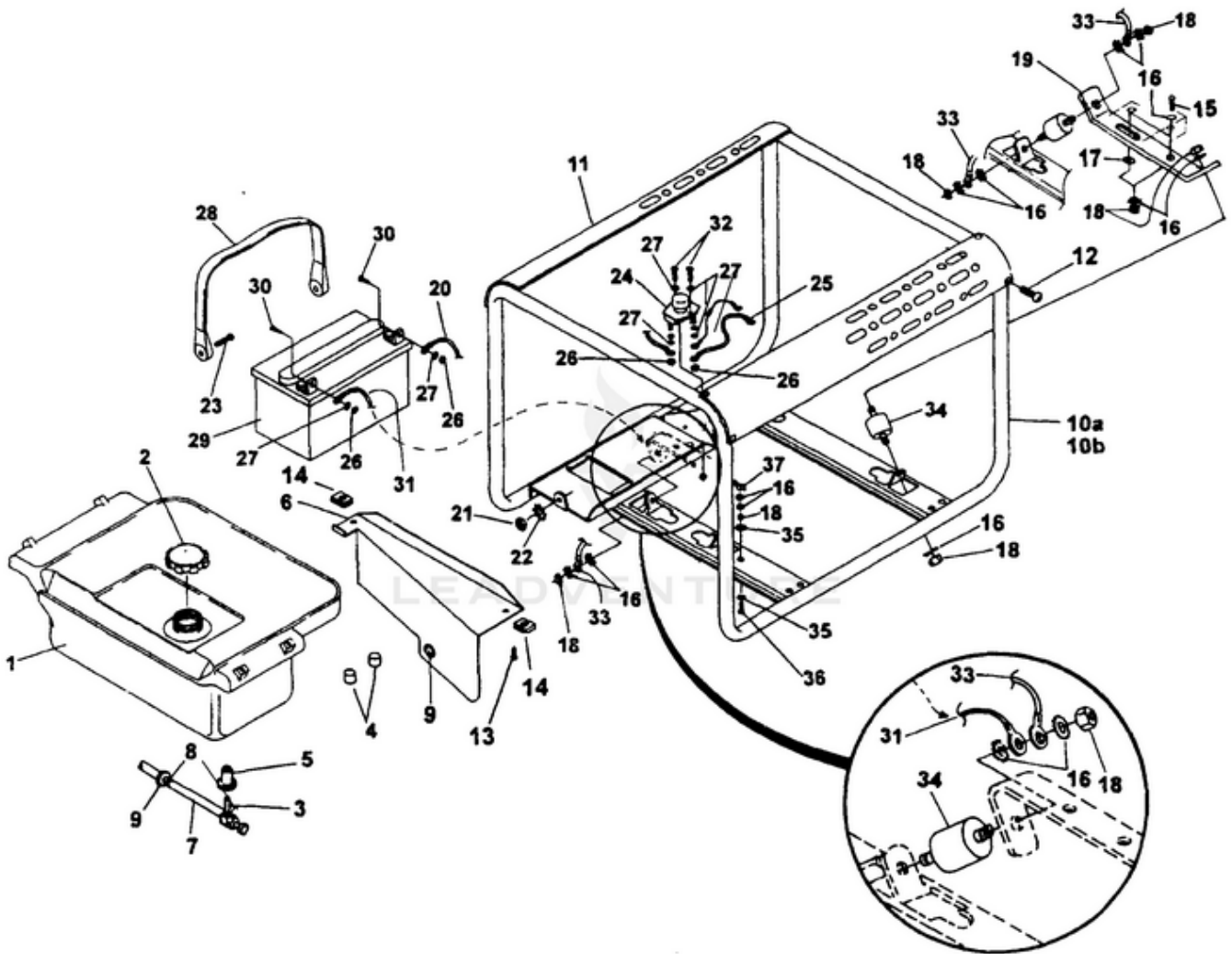
LRIE5500 Generator UT-03778-A - Generator End



Rendered by LeadVenture, Inc.

| Ref # | Part # | Description | Qty | Context | Note |
|-------|----------|--|-----|---------|------|
| 1A | A07068 | COMP. BRUSH HEAD(LRI4400 & LRIE4400, LRI5500, LRIE5500) | 1 | | |
| 1B | A07124 | COMP. BRUSH HEAD(LRI4400/CSA, LRIE4400/CSA, LRI5500/CSA, LRIE5500/CSA) | 1 | | |
| 2 | 03044 | BEARING-Needle | 1 | | |
| 3 | 02438 | EXPANDER-Plug | 1 | | |
| 4A | 4885307 | BOLT-Stator (LRI & LRIE 4400'S) | 4 | | |
| 4B | 4885301 | BOLT-Stator (LRI & LRIE 5500'S) | 4 | | |
| 5 | 84124 | WASHER-Flat | 4 | | |
| 6A | A06771S | STATOR & HARNESS (LRI & LRIE4400'S) | 1 | | |
| 6B | A06770S | STATOR & HARNESS (LRI & LRIE5500'S) | 1 | | |
| | A03035 | BRUSH & RETAINER KIT | 1 | | |
| 7 | 02857 | PIN | 1 | | |
| 8 | 02664 | BRUSH | 2 | | |
| 9 | 02365 | BRUSH HOLDER | 1 | | |
| 10 | 80083 | SCREW-Hex Hd. (5/16-18 X 3/4") | 2 | | |
| 11A | 4885210 | BOLT-Rotor (LRI & LRIE 4400'S) | 1 | | |
| 11B | 4885207 | BOLT-Rotor (LRI & LRIE 5500"S) | 1 | | |
| 12 | 83002 | WASHER-Lock (5/16") | 1 | | |
| 13A | A02799AS | ROTOR (LRI & LRIE 4400'S) | 1 | | |
| 13B | A02798AS | ROTOR (LRI & LRIE 5500'S) | 1 | | |
| 14 | A04013 | FAN-Generator | 1 | | |
| 15 | 82526 | SCREW-Pan Hd. (6-19 X 3/4") | 4 | | |
| 16 | 020267 | END BELL | 1 | | |
| 17 | 81267 | NUT-Hex (1/4-20) | 4 | | |
| 18 | 80187 | SCREW-Hex Hd. (3/8-16 X 3/4") | 4 | | |
| 19 | 83078 | WASHER-Lock | 4 | | |
| 20 | 83033 | WASHER-Lock (int./ext.) | 4 | | |
| 21 | 81162 | NUT-Hex (5/16-18) | 2 | | |
| 22 | 063781 | GENERATOR SUPPORT | 1 | | |
| 23 | 82526 | SCREW-Pan Hd. (6-19 X 3/4") | 2 | | |

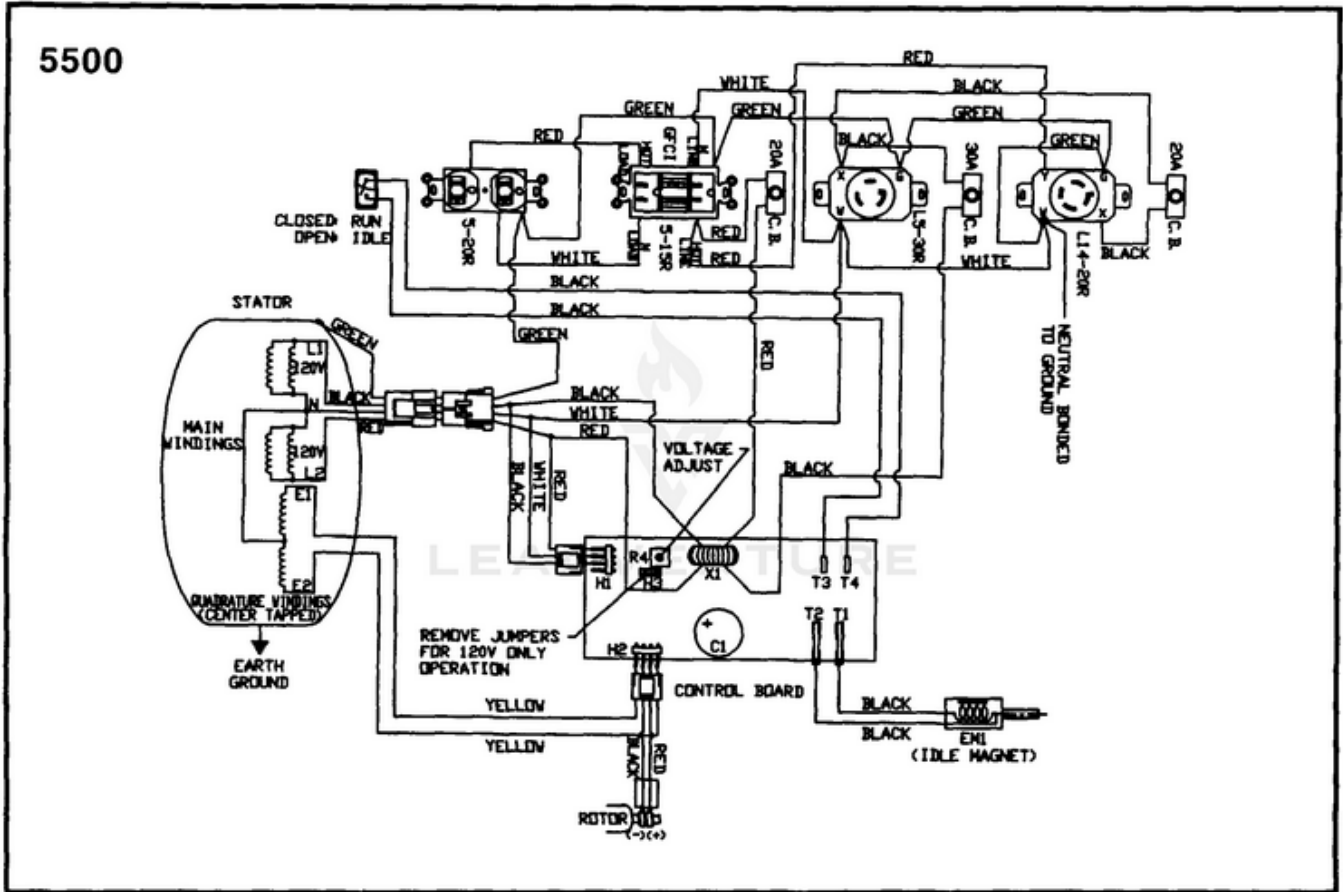
LRIE5500 Generator UT-03778-A - Tank & Frame



Rendered by LeadVenture, Inc.

| Ref # | Part # | Description | Qty | Context | Note |
|-------|---------|--|-----|---------|------|
| 1 | A04861 | FUEL TANK (5 Gal.) | 1 | | |
| 2 | 04864 | FUEL CAP (2 1/4" dia.) | 1 | | |
| 3 | 06642 | VALVE-Fuel | 1 | | |
| 4 | 06644 | PAD-Fuel Tank | 4 | | |
| 5 | 47222 | BUSHING | 1 | | |
| 6 | 063881 | SHIELD-Fuel Tank | 1 | | |
| 7 | 4958608 | FUEL LINE | 1 | | |
| 8 | 49587 | CLIP-Hose | 2 | | |
| 9 | 04818 | BUSHING-Snap In | 1 | | |
| 10A | A06406 | ROLL CAGE (LR4400, LR5500, LR4400/CSA, LR5500/CSA) | 1 | | |
| 10B | A06401 | ROLL CAGE (LRE4400, LRE5500, LRE4400/CSA, LRE5500/CSA) | 1 | | |
| 11 | 063831 | BRACE-Tank Support | 2 | | |
| 12 | 96620 | SCREW-Torx (10-24 X 1/2") | 8 | | |
| 13 | 80577 | SCREW-Pan Hd. (8-32 X 3/8") | 2 | | |
| 14 | 81227 | NUT-Hi Speed | 2 | | |
| 15 | 80197 | SCREW-Hex Hd. (5/16-18 X 2") | 4 | | |
| 16 | 83081 | WASHER-Lock (int.) | 16 | | |
| 17 | 84046 | WASHER-Flat | 1 | | |
| 18 | 81162 | NUT-Hex (5/16-18) | 15 | | |
| 19 | 49265 | SUPPORT-Engine | 1 | | |
| 20 | A02532 | CABLE-Battery (Red, Pos.) | 1 | | |
| 21 | 81010 | NUT-Hex (10-32) | 2 | | |
| 22 | 83046 | WASHER-Lock | 2 | | |
| 23 | 06665 | SCREW-Shoulder (10-32 X 1/4") | 2 | | |
| 24 | 49705 | SWITCH-Starter | 1 | | |
| | A04799 | BATTERY & CABLE KIT | 1 | | |
| 25 | 04800 | BATTERY CABLE (Red, to Switch) | 1 | | |
| 26 | 81242 | NUT-Hex (10-32) | 4 | | |
| 27 | 83009 | WASHER-Lock | 4 | | |
| 28 | 048011 | STRAP-Battery Hold Down | 1 | | |
| 29 | 49833A | BATTERY (12 Volt) | 1 | | |
| 30 | 80049 | SCREW-Hex Hd. (1/4-20 X 5/8") | 2 | | |
| 31 | 04802 | BATTERY CABLE (Black, to Ground) | 1 | | |
| 32 | 82477 | SCREW-Hex Hd. (1/4-20 X 1/2") | 2 | | |
| 33 | A49399 | GROUND STRAP | 2 | | |
| 34 | 49367 | ISOLATOR | 4 | | |
| 35 | 83033 | WASHER-Lock (ext./int.) | 6 | | |
| 36 | 80088 | SCREW-Hex Hd. (5/16-18 X 1 1/2") | 1 | | |
| 37 | 81015 | NUT-Wing | 1 | | |

LRIE5500 Generator UT-03778-A - Wiring Diagram



Rendered by LeadVenture, Inc.