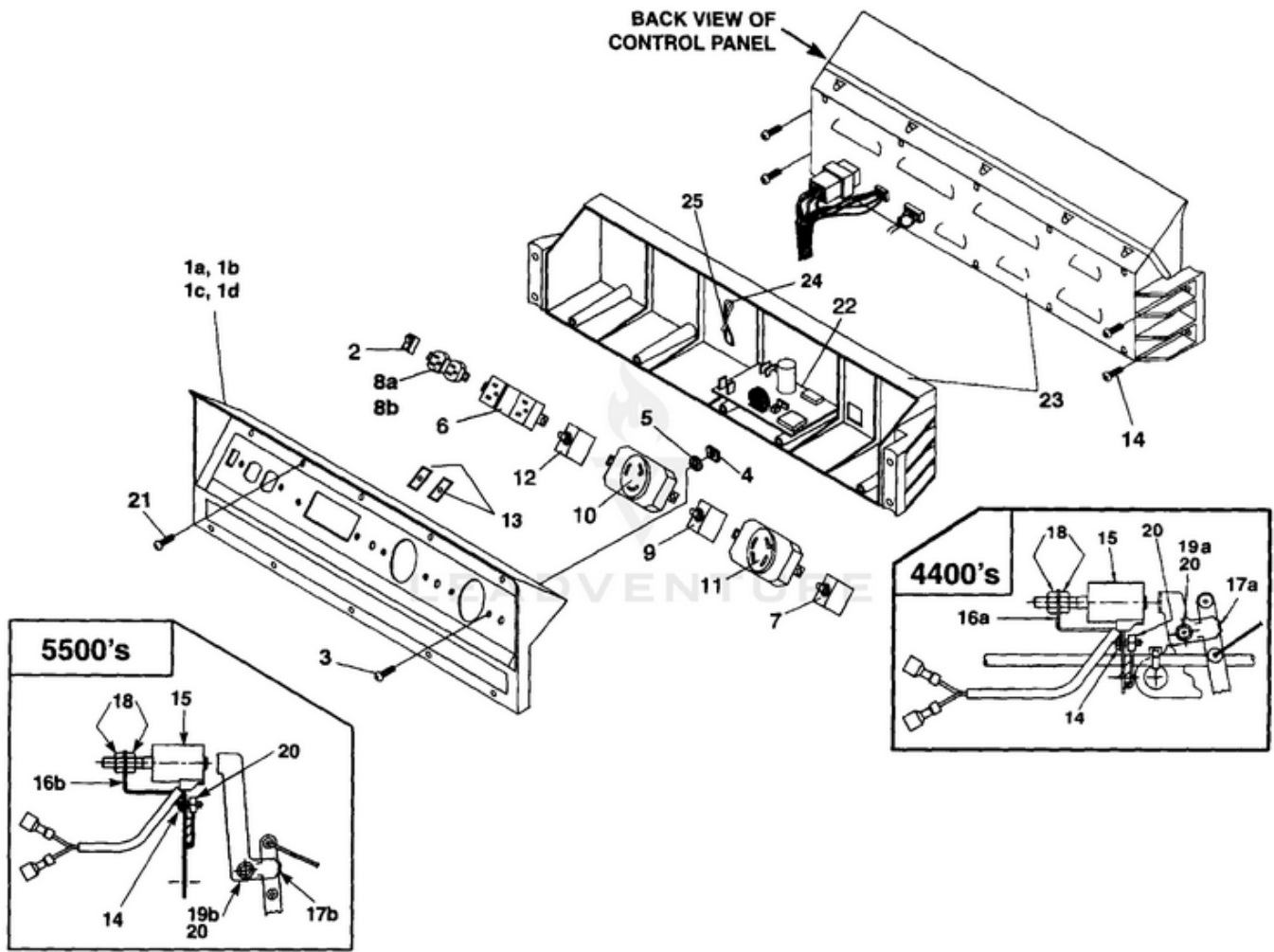


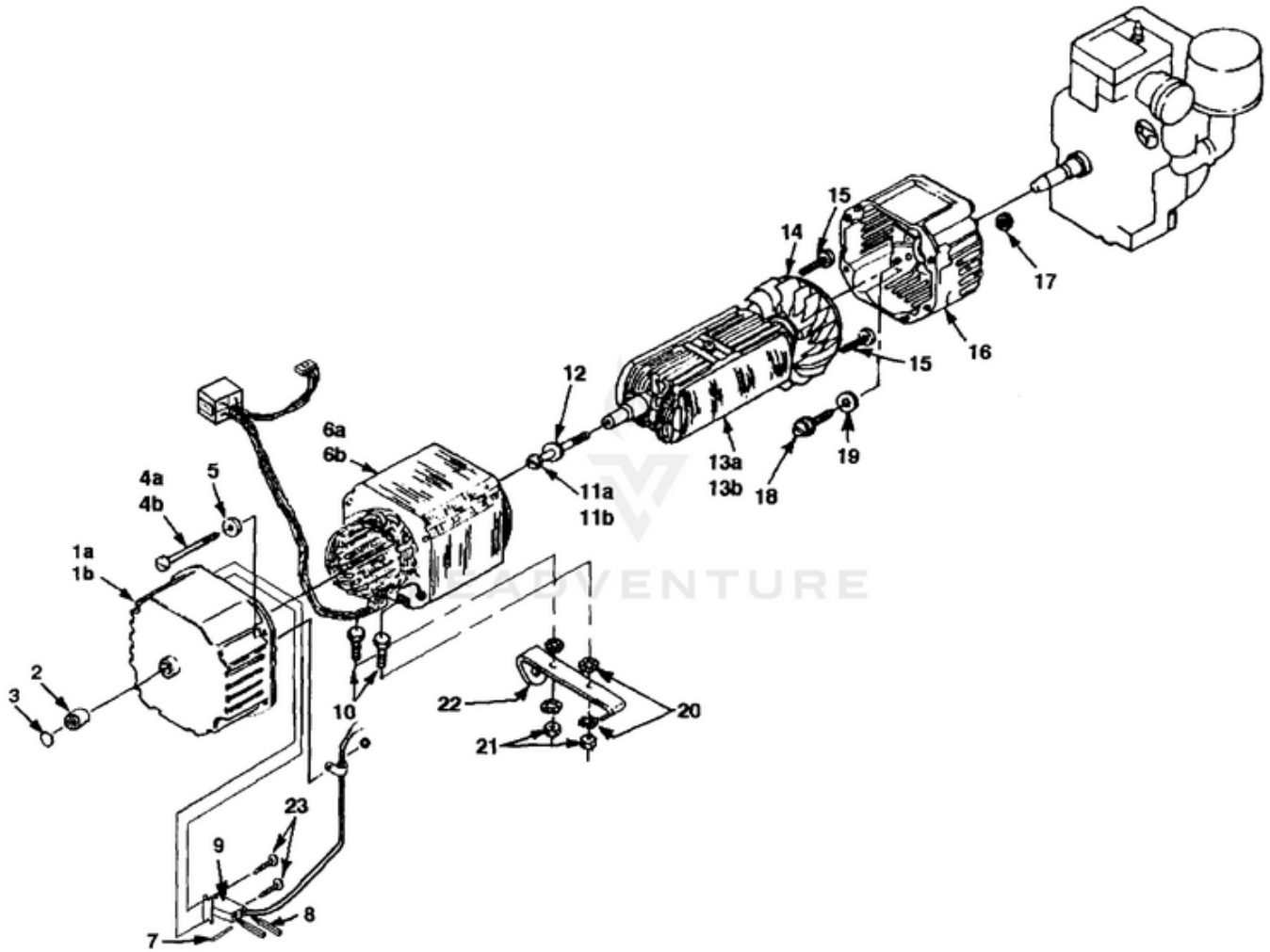
LRIE4400 Generator UT-03789-B - Control Panel



Rendered by LeadVenture, Inc.

Ref #	Part #	Description	Qty	Context Note
1A	A07101A	CONTROL PANEL (LRI4400, LRIE4400)	1	
1B	A07067A	CONTROL PANEL (LRI5500, LRIE5500)	1	
1C	A07122	CONTROL PANEL (LRI4400/CSA, LRIE4400/CSA)	1	
1D	A07121	CONTROL PANEL (LRI5500/CSA, LRIE5500/CSA)		
2	02497	SWITCH	1	
3	80577	SCREW-Pan Hd. (8-32 X 7/8")	8	
4	81009	NUT-Hex	8	
5	83022	WASHER-Lock	8	
6	04058	RECEPTACLE (GFCI)	1	
7	49831A	CIRCUIT BREAKER (20 amp)	2	
8A	51373	RECEPTACLE-Duplex (LRI4400, LRIE4400, LRI5500, LRIE5500)	1	
8B	49803A	RECEPTACLE-Duplex (120 V) (LRI4400/CSA)	1	
9	06692A	CIRCUIT BREAKER (30 amp)	1	
10	42601	RECEPTACLE-Locking (120V)	1	
11	46508	RECEPTACLE-Locking (240V)	1	
12	01649A	CIRCUIT BREAKER (15 amp)	2	(LRI4400/CSA, LRIE4400/CSA, LRI5500/CSA, LRIE5500/CSA, LRIE4400/CSA, LRI5500/CSA, LRIE/5500/CSA)
13	98792	RUBBER BUMPER	2	
14	96620	SCREW-Torx Hd. (10-24 X 1/2)	4	
15	A07062	ELECTROMAGNET	1	
16A	070781	BRACKET (8HP) (4400's)	1	
16B	070661	BRACKET (11HP) (5500's)	1	
17A	070791	PADDLE (8HP) (4400's)	1	
17B	070651	PADDLE (11HP) (5500's)	1	
18	810652	NUT-Hex (1/4-28) (4400 & 5500)	2	
19A	80049	SCREW-Hex Hd. (1/4-20 X 5/8") (4400 & 5500)	1	
19B	80049	SCREW-Hex Hd. (1/4-20 X 5/8") (4400 & 5500)	1	
20	81227	SPEED Nut (8-32) (4400 & 5500)	2	
21	82536	SCREW-Plastite (8-16 X 3/4")	10	
22	A06257	CONTROL BOARD	1	
23	066461	CONTROL PANEL-Back	1	
24	46840	TIE, Cable	1	
25	06655	Clip, Tie	1	

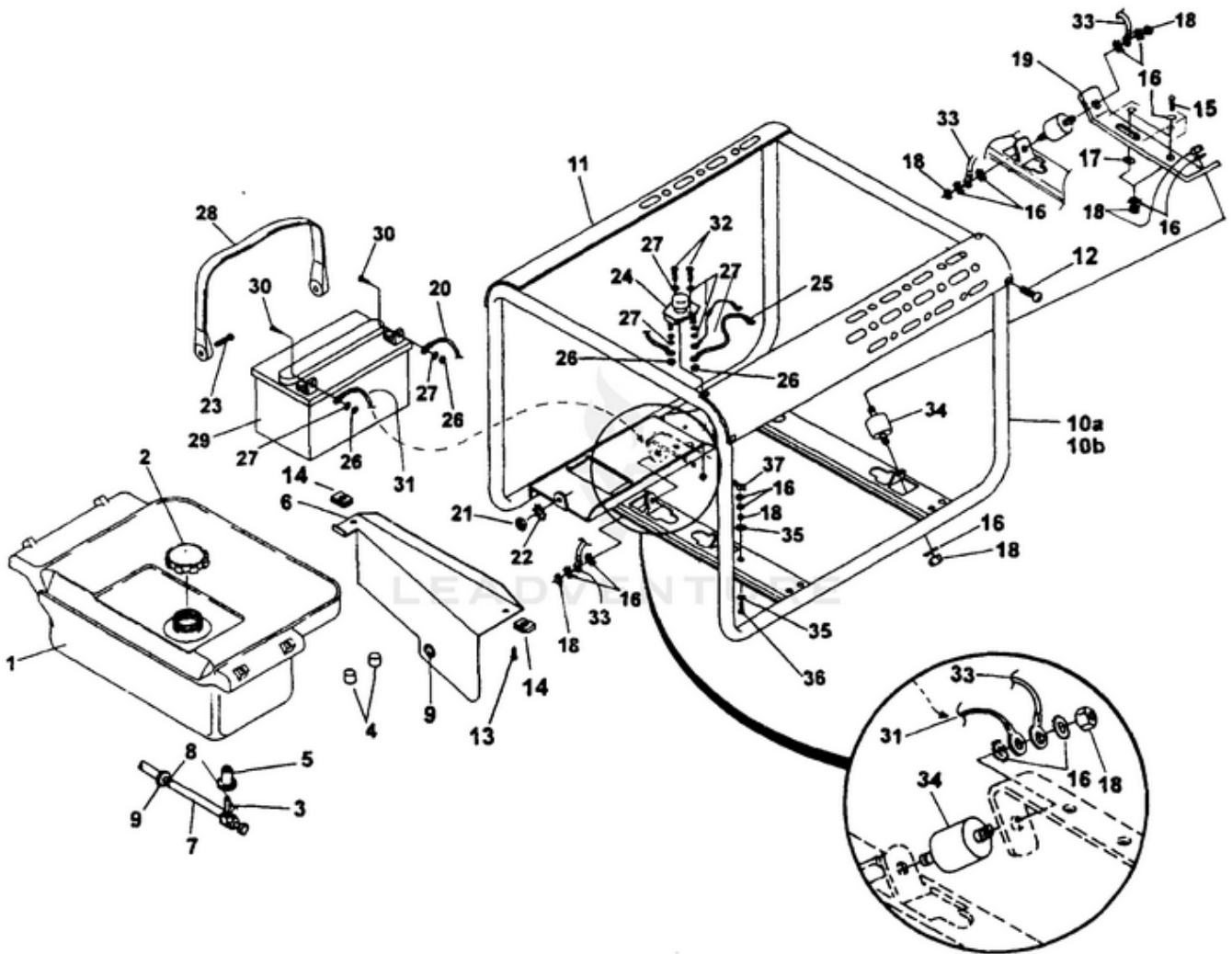
LRIE4400 Generator UT-03789-B - Generator End



Rendered by LeadVenture, Inc.

Ref #	Part #	Description	Qty	Context	Note
1A	A07068	COMP. BRUSH HEAD(LRI4400 & LRIE4400, LRI5500, LRIE5500)	1		
1B	A07124	COMP. BRUSH HEAD(LRI4400/CSA, LRIE4400/CSA, LRI5500/CSA, LRIE5500/CSA)	1		
2	03044	BEARING-Needle	1		
3	02438	EXPANDER-Plug	1		
4A	4885307	BOLT-Stator (LRI & LRIE 4400'S)	4		
4B	4885301	BOLT-Stator (LRI & LRIE 5500'S)	4		
5	84124	WASHER-Flat	4		
6A	A06771S	STATOR & HARNESS (LRI & LRIE4400'S)	1		
6B	A06770S	STATOR & HARNESS (LRI & LRIE5500'S)	1		
	A03035	BRUSH & RETAINER KIT	1		
7	02857	PIN	1		
8	02664	BRUSH	2		
9	02365	BRUSH HOLDER	1		
10	80083	SCREW-Hex Hd. (5/16-18 X 3/4")	2		
11A	4885210	BOLT-Rotor (LRI & LRIE 4400'S)	1		
11B	4885207	BOLT-Rotor (LRI & LRIE 5500"S)	1		
12	83002	WASHER-Lock (5/16")	1		
13A	A02799AS	ROTOR (LRI & LRIE 4400'S)	1		
13B	A02798AS	ROTOR (LRI & LRIE 5500'S)	1		
14	A04013	FAN-Generator	1		
15	82526	SCREW-Pan Hd. (6-19 X 3/4")	4		
16	020267	END BELL	1		
17	81267	NUT-Hex (1/4-20)	4		
18	80187	SCREW-Hex Hd. (3/8-16 X 3/4")	4		
19	83078	WASHER-Lock	4		
20	83033	WASHER-Lock (int./ext.)	4		
21	81162	NUT-Hex (5/16-18)	2		
22	063781	GENERATOR SUPPORT	1		
23	82526	SCREW-Pan Hd. (6-19 X 3/4")	2		

LRIE4400 Generator UT-03789-B - Tank & Frame



Rendered by LeadVenture, Inc.

Ref #	Part #	Description	Qty	Context	Note
1	A04861	FUEL TANK (5 Gal.)	1		
2	04864	FUEL CAP (2 1/4" dia.)	1		
3	06642	VALVE-Fuel	1		
4	06644	PAD-Fuel Tank	4		
5	47222	BUSHING	1		
6	063881	SHIELD-Fuel Tank	1		
7	4958608	FUEL LINE	1		
8	49587	CLIP-Hose	2		
9	04818	BUSHING-Snap In	1		
10A	A06406	ROLL CAGE (LR4400, LR5500, LR4400/CSA, LR5500/CSA)	1		
10B	A06401	ROLL CAGE (LRE4400, LRE5500, LRE4400/CSA, LRE5500/CSA)	1		
11	063831	BRACE-Tank Support	2		
12	96620	SCREW-Torx (10-24 X 1/2")	8		
13	80577	SCREW-Pan Hd. (8-32 X 3/8")	2		
14	81227	NUT-Hi Speed	2		
15	80197	SCREW-Hex Hd. (5/16-18 X 2")	4		
16	83081	WASHER-Lock (int.)	16		
17	84046	WASHER-Flat	1		
18	81162	NUT-Hex (5/16-18)	15		
19	49265	SUPPORT-Engine	1		
20	A02532	CABLE-Battery (Red, Pos.)	1		
21	81010	NUT-Hex (10-32)	2		
22	83046	WASHER-Lock	2		
23	06665	SCREW-Shoulder (10-32 X 1/4")	2		
24	49705	SWITCH-Starter	1		
	A04799	BATTERY & CABLE KIT	1		
25	04800	BATTERY CABLE (Red, to Switch)	1		
26	81242	NUT-Hex (10-32)	4		
27	83009	WASHER-Lock	4		
28	048011	STRAP-Battery Hold Down	1		
29	49833A	BATTERY (12 Volt)	1		
30	80049	SCREW-Hex Hd. (1/4-20 X 5/8")	2		
31	04802	BATTERY CABLE (Black, to Ground)	1		
32	82477	SCREW-Hex Hd. (1/4-20 X 1/2")	2		
33	A49399	GROUND STRAP	2		
34	49367	ISOLATOR	4		
35	83033	WASHER-Lock (ext./int.)	6		
36	80088	SCREW-Hex Hd. (5/16-18 X 1 1/2")	1		
37	81015	NUT-Wing	1		

