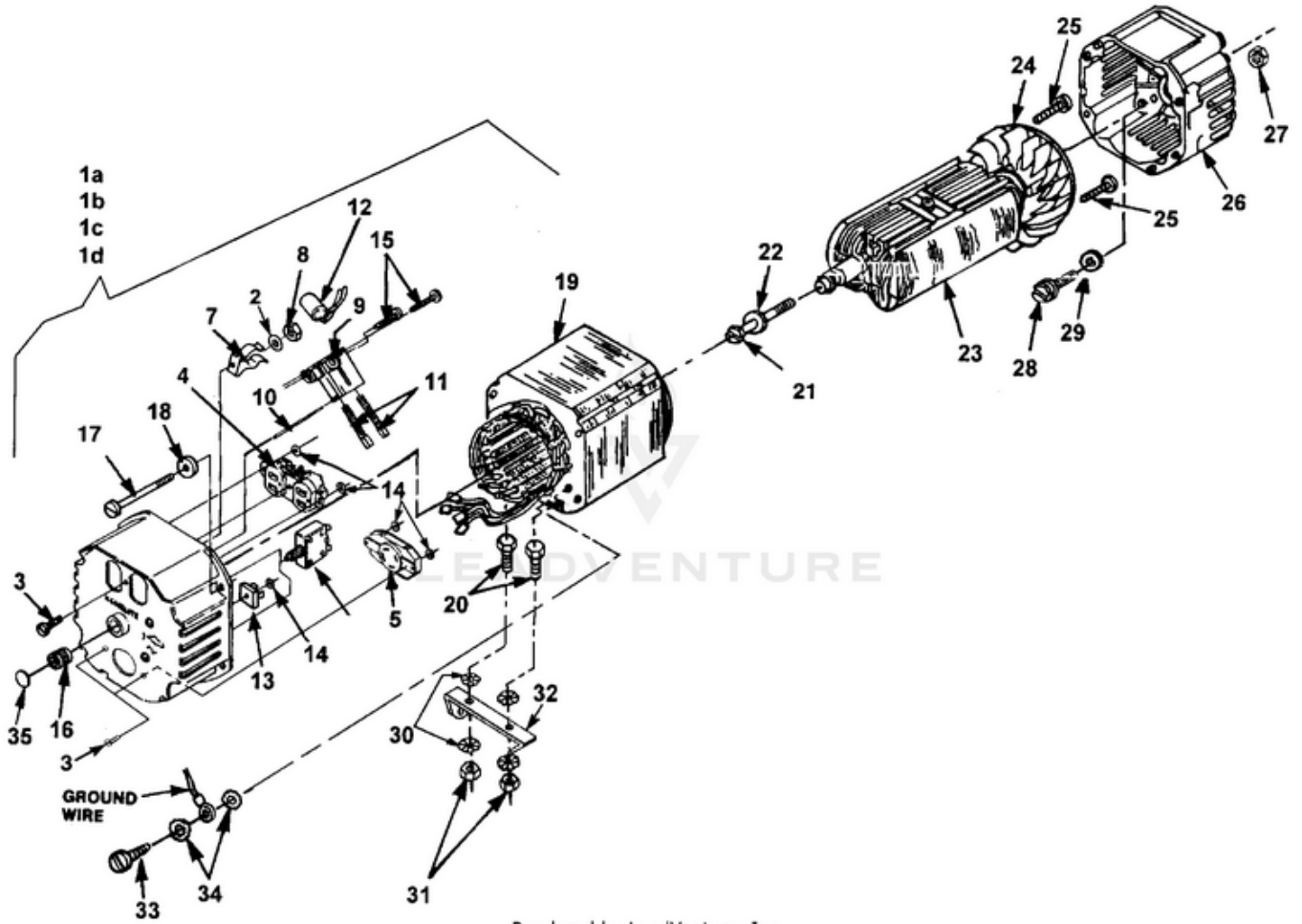


LRE5500/CSA Generator UT-03786 - Generator End



Rendered by LeadVenture, Inc.

Ref #	Part #	Description	Qty	Context Note
1A	A06923	COMPLETE BRUSH HEAD	1	(LR4400 & LRE4400)
1B	A06921	COMPLETE BRUSH HEAD	1	(LR5500 & LRE5500)
1C	A06987	COMPLETE BRUSH HEAD	1	(LR4400/CSA & LRE4400/CSA)
1D	A06986	COMPLETE BRUSH HEAD	1	(LR5500/CSA & LRE5500/CSA)
2	83119	WASHER-Lock (ext.)	1	
3	80630	SCREW-Mach. Pan Hd. (6-32 X 1/2")	3	
4	50991A	RECEPTACLE-Duplex (Nema 5-15R)	1	(LR4400, LRE4400, LR5500 & LRE5500)
	498031A	RECEPTACLE-Duplex (Nema 5-15R)	1	(LR4400/CSA & LRE4400/CSA)
	498321A	RECEPTACLE-Duplex (Nema 5-20R)	1	(LR5500/CSA & LRE5500/CSA)
5	46508	RECEPTACLE-Locking (120V/240V) (Nema L14-20R)	1	
6	49831A	BREAKER-Circuit (20 amp.)	2	(LR4400 & LRE4400)
	02511	BREAKER-Circuit (25 amp.)	2	(LR5500 & LRE5500)
	01649A	BREAKER-Circuit (15 amp.)	2	(LR4400/CSA & LRE4400/CSA)
	49831A	BREAKER-Circuit (20 amp.)	2	(LR5500/CSA & LRE5500/CSA)
7	02435	CLIP-Spring Cap	1	
8	81002	NUT-Hex (6-32)	1	
9	02365	BRUSH HOLDER	1	
	A03035	BRUSH & RETAINER KIT	1	
10	02857	PIN	1	
11	02664	BRUSH	2	
12	A02860	CAPACITOR (w/Lead)	1	
13	95672	RECTIFIER	1	
14	02437	WASHER-Shaft Retention	4	
15	82526	SCREW-Pan Hd. (6-19 X 3/4)	2	
16	03044	BEARING-Needle	1	
17	4885306	BOLT-Stator (4400 Watts)	4	
	4885301	BOLT-Stator (5500 Watts)	4	
18	84124	WASHER-Flat	4	
19	A02796AS	STATOR (4400 Watts)	1	
	A02795AS	STATOR (5500 Watts)	1	
20	80083	SCREW- Hex Hd. (5/16-18 X 3/4")	2	
21	4885210	BOLT-Rotor (4400 Watts)	1	
21	4885707	BOLT-Rotor (5500 Watts)	1	
22	83002	WASHER-Lock (5/16")	1	
23	A02799AS	ROTOR (4400 Watts)	1	
23	A02798AS	ROTOR (5500 Watts)	1	
24	A04013AS	FAN-Generator	1	
25	82526	SCREW-Pan Hd. (6-19 X 3/4")	4	
26	020267	END BELL	1	
27	81267	NUT-Hex (1/4-20)	4	
28	80687	SCREW-Hex Hd. (5/16-24 X 3/4")	4	
29	83078	WASHER-Lock	4	
30	83033	WASHER-Lock (int./ext.)	4	
31	81162	NUT-Hex (5/16-18)	2	

Ref #	Part #	Description	Qty	Context Note
32	063781	SUPPORT-Engine	1	
33	82538	SCREW-Taptite (10/24 X 3/4")	1	
34	83121	WASHER-Lock (int./ext.)	2	
35	02438	PLUG-Expansion	1	

Ref #	Part #	Description	Qty	Context Note
1	A04861	FUEL TANK (5 Gal.)	1	
2	04864	FUEL CAP (2 1/4" dia.)	1	
3	06642	VALVE-Fuel	1	
4	06644	PAD-Fuel Tank	4	
5	47222	BUSHING	1	
6	063881	SHIELD-Fuel Tank	1	
7	4958608	FUEL LINE	1	
8	49587	CLIP-Hose	2	
9	04818	BUSHING-Snap In	1	
10	A06406	ROLL CAGE	1	(LR4400, LR5500, LR4400/CSA, LR5500/CSA)
	A06401	ROLL CAGE	1	(LRE4400, LRE5500, LRE4400/CSA, LRE5500/CSA)
11	063831	BRACE-Tank Support	2	
12	96620	SCREW-Torx (10-24 X 1/2")	8	
13	80577	SCREW-Pan Hd. (8-32 X 3/8")	2	
14	81227	NUT-Hi Speed	2	
15	80197	SCREW-Hex Hd. (5/16-18 X 2")	4	
16	83081	WASHER-Lock (int.)	16	
17	84046	WASHER-Flat	1	
18	81162	NUT-Hex (5/16-18)	15	
19	49265	SUPPORT-Engine	1	
20	A02532	CABLE-Battery (Red, Pos.)	1	
21	81010	NUT-Hex (10-32)	2	
22	83046	WASHER-Lock	2	
23	06665	SCREW-Shoulder (10-32 X 1/4")	2	
24	49705	SWITCH-Starter	1	
	A04799	BATTERY & CABLE KIT	1	
25	04800	BATTERY CABLE (Red, to Switch)	1	
26	81242	NUT-Hex (10-32)	4	
27	83009	WASHER-Lock	4	
28	048011	STRAP-Battery Hold Down	1	
29	49833A	BATTERY (12 Volt)	1	
30	80049	SCREW-Hex Hd. (1/4-20 X 5/8")	2	
31	04802	BATTERY CABLE (Black, to Ground)	1	
32	82477	SCREW-Hex Hd. (1/4-20 X 1/2")	2	
33	A49399	GROUND STRAP	2	
34	49367	ISOLATOR	4	
35	83033	WASHER-Lock (ext./int.)	6	
36	80088	SCREW-Hex Hd. (5/16-18 X 1 1/2")	1	
37	81015	NUT-Wing	1	