

# Service Manual

**Cordless Drill & Driver**

**Cordless Hammer Drill & Driver**

**Model No. LDD-216**

**LHD-216**

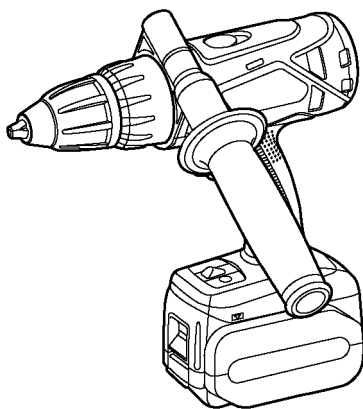
**Sub model No.**

**EY7460**

**EY7960**

**GREENLEE brand**

**North America**



Please file and use this manual together with the service manual for Model No. EY7460 and EY7960, Order No. PTD0810U44CE.

## **⚠ WARNING**

This service information is designed for experienced repair technicians only and is not designed for use by the general public. It does not contain warnings or cautions to advise non-technical individuals of potential dangers in attempting to service a product. Products powered by electricity should be serviced or repaired only by experienced professional technicians. Any attempt to service or repair the product or products dealt with in this service information by anyone else could result in serious injury or death.

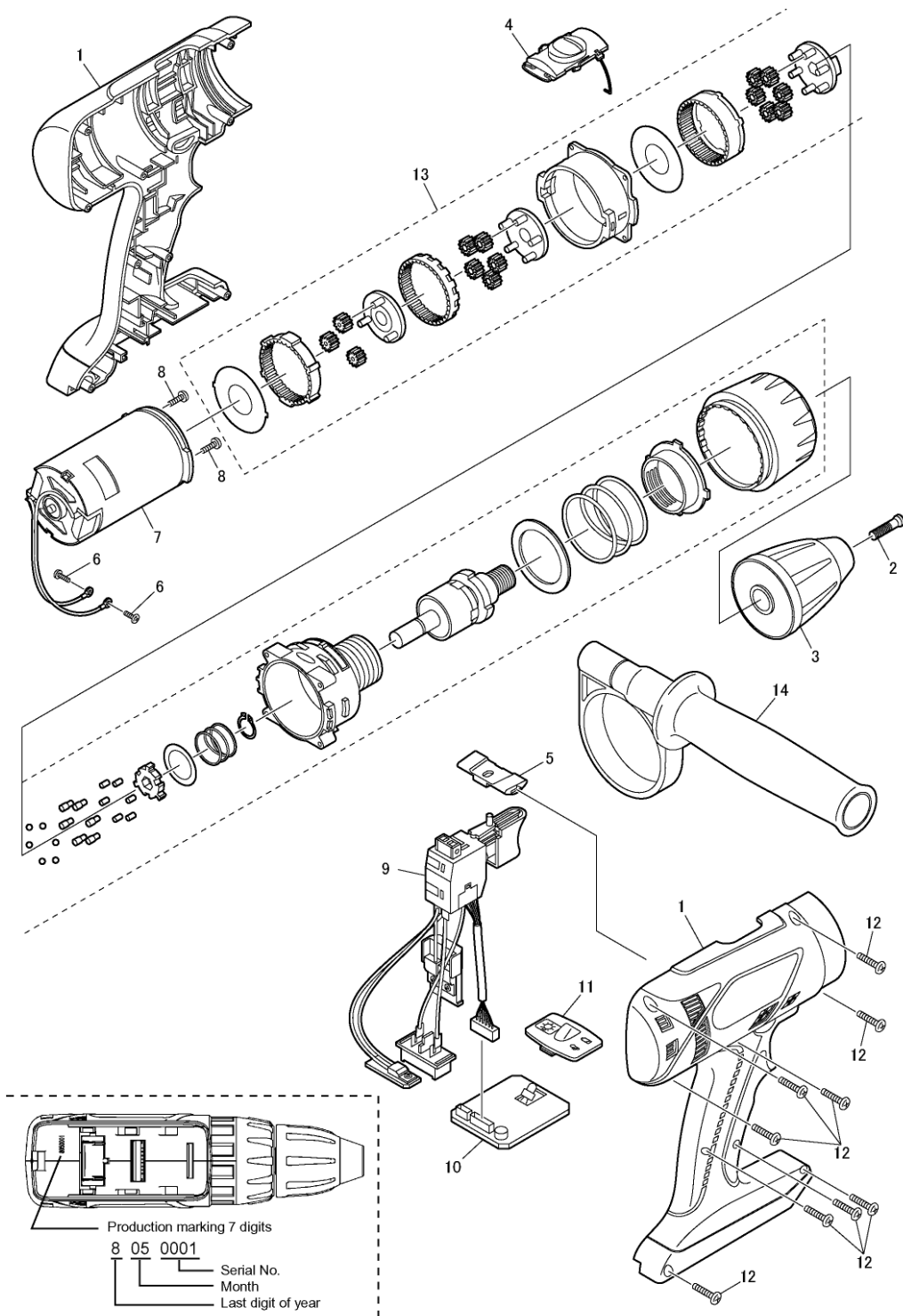
## **IMPORTANT SAFETY NOTICE**

There are special components used in this equipment which are important for safety. These parts are marked by ⚠ in the Schematic Diagrams, Circuit Board Diagrams, Exploded Views and Replacement Parts List. It is essential that these critical parts should be replaced with manufacturer's specified parts to prevent shock, fire or other hazards. Do not modify the original design without permission of manufacturer.

## **TABLE OF CONTENTS**

	PAGE	PAGE
1 Exploded View and Replacement Parts List -----	2	

**Model No. : LHD-216 Exploded View for LHD-216**



\*\* Battery Pack is available as an optional accessory. See the nearest sales dealer for details.  
 \*\*\* For replacement parts of charger, see the charger service manual.  
 Charger complete set is available as an optional accessory. See the nearest sales dealer for details.

**Model No. : LHD-216 Parts List**

Safety	Ref. No.	Part No.	Part Name & Description	Q'ty	Remarks
LHD-216					
	1	WEZ7960G0010	HOUSING AB SET	1	
	2	WEY6450L6806	CHUCK FASTENING SCREW	1	
	3	WEY6450K7915	KEYLESS CHUCK	1	
	4	WEY7460H3238	H/L CHANGE HANDLE	1	
	5	WEY7460H3248	F/R SELECTOR HANDLE	1	
	6	WEY7460S6028	SEMS SCREW	2	(K3*6)
	7	WEY7460L1008	DC MOTOR	1	
	8	WEY7460S6038	SEMS SCREW	2	(K5*6)
	9	WEY7460K2008	SWITCH	1	
	10	WEY7460L2118	CONTROL PCB	1	
	11	WEY7460K3958	OPERATION PANEL	1	
	12	WEY6405K9218	TORX TAPPING SCREW	9	(K3*20)
	13	WEY7960L1458	GEAR BOX BLOCK	1	
	14	WEY7460K4628	SUPPORT HANDLE	1	
	-	WEZ7960G0020	TOOL CASE	1	