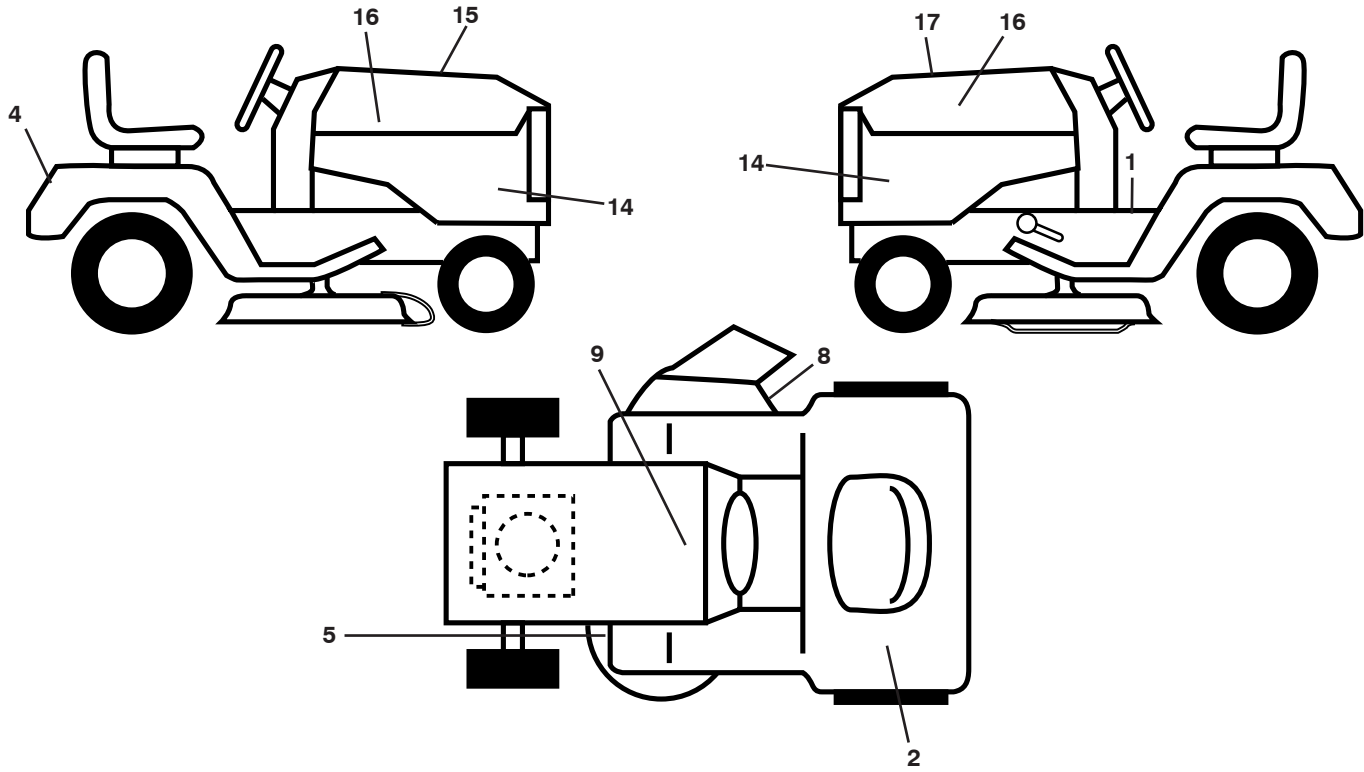


LGT2554

ILLUSTRATED PARTS LIST

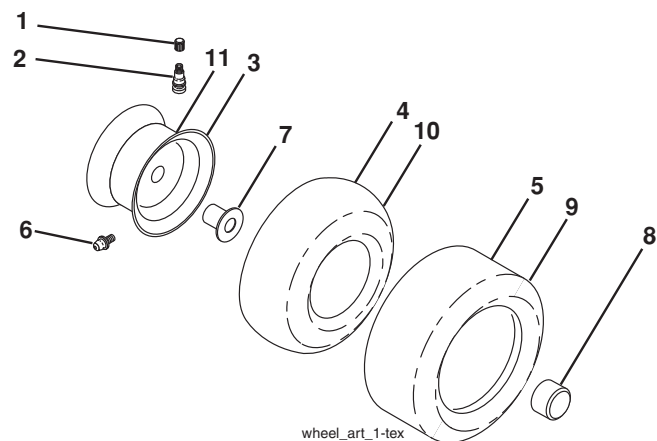
**TRACTOR - MODEL NO. LGT2554 (96045001501), PRODUCT NO. 960 45 00-15
DECALS**



KEY NO.	PART NO.	DESCRIPTION
1	532 41 91-38	Decal, Warning
2	532 42 38-30	Decal, Ethanol E85
4	532 19 15-54	Decal, Fender
5	532 17 84-55	Decal, Caution
8	532 19 87-85	Decal, Mower Sch.
9	532 14 50-05	Decal, Battery Dnge/Poi
14	532 42 36-38	Decal, Panel Side

KEY NO.	PART NO.	DESCRIPTION
15	532 42 38-29	Decal, Warning Customer Resp.
16	532 42 20-12	Decal, Hood Logo
17	532 42 89-34	Decal, Replacement
--	532 16 69-60	Decal, Bypass
--	532 40 17-71	Pad, Footrest, LH
--	532 40 17-70	Pad, Footrest, RH
--	532 42 89-49	Manual, Owner's (Eng)
--	532 42 89-50	Manual, Owner's (Sp)

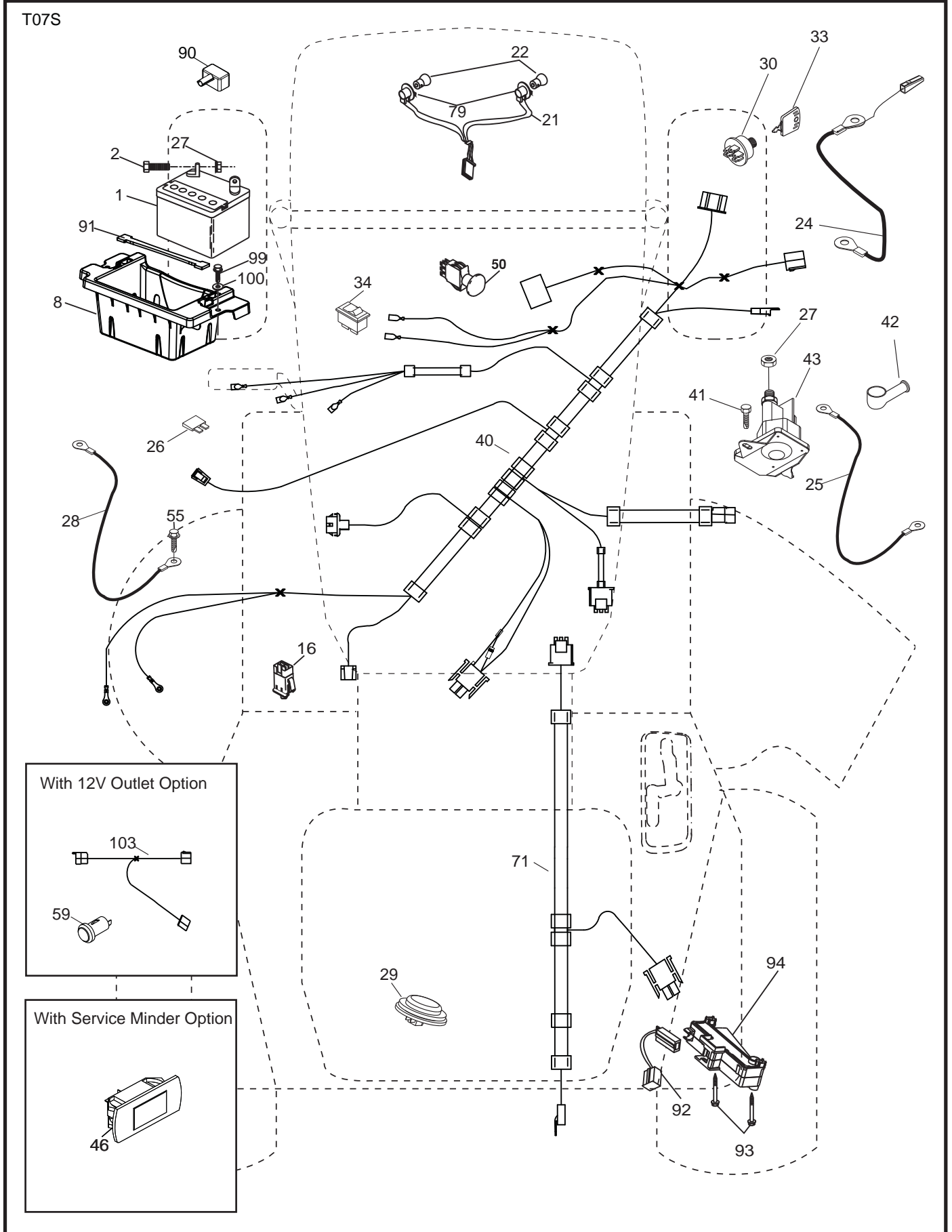
WHEELS AND TIRES



KEY NO.	PART NO.	DESCRIPTION
1	532 05 91-92	Cap, Valve, Tire
2	532 06 51-39	Stem, Valve
3	532 14 45-09	Rim Assembly, Front
4	532 00 81-34	Tube, Front (Service Item Only)
5	532 10 62-30	Tire, Front
6	532 12 49-57	Fitting, Grease (Front Wheel Only)
7	532 12 49-59	Bearing, Flange (Front Wheel Only)
8	532 17 50-39	Cap, Axle (Front Wheel Only)
9	532 18 47-08	Tire, Rear
10	532 00 71-54	Tube, Rear (Service Item Only)
11	532 40 17-82	Rim Assembly, Rear
--	532 14 43-34	Sealant, Tire (10 oz. Tube)

NOTE: All component dimensions given in U.S. inches
1 inch = 25.4 mm

**TRACTOR - MODEL NO. LGT2554 (96045001501), PRODUCT NO. 960 45 00-15
ELECTRICAL**

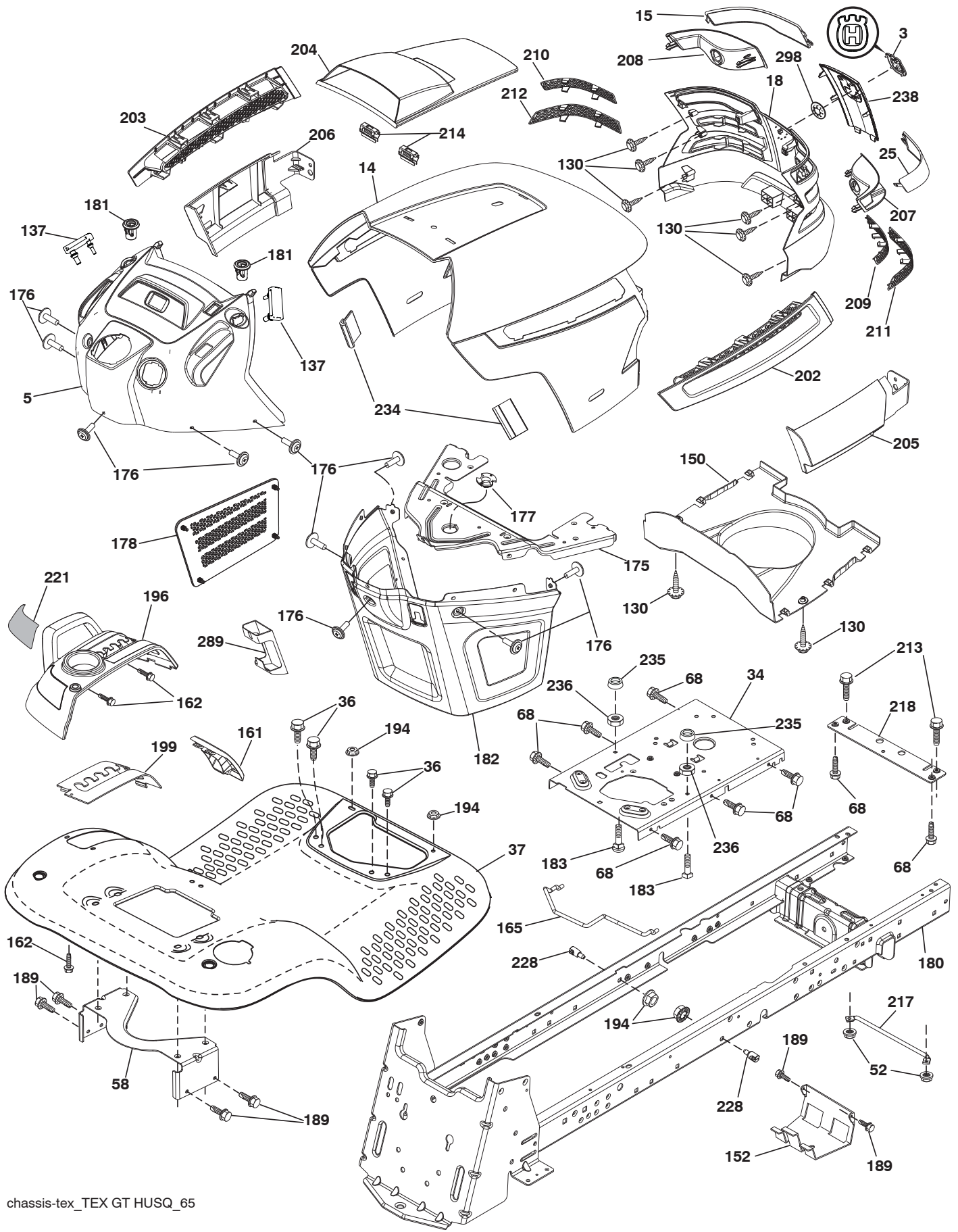


**TRACTOR - MODEL NO. LGT2554 (96045001501), PRODUCT NO. 960 45 00-15
ELECTRICAL**

KEY NO.	PART NO.	DESCRIPTION
1	532 16 34-65	Battery
2	874 76 04-12	Bolt Hex Hd 1/4-20 unc x 3/4
8	532 18 64-91	Battery Box
16	532 17 61-38	Switch Interlock
21	532 18 37-59	Harness Socket Light
22	532 00 41-52	Bulb, Light #1156
24	532 40 02-53	Cable Battery
25	532 41 28-95	Cable Starter
26	532 17 51-58	Fuse
27	873 51 04-00	Nut Keps Hex 1/4-20 unc
28	532 14 54-91	Cable Ground 21" Blk 6 Ga.
29	532 40 15-45	Switch Seat
30	532 19 33-50	Switch Ign
33	532 41 19-33	Key/Chain
34	532 11 07-12	Switch Light/Reset
40	532 40 11-04	Harness Ign. Dash
41	817 72 04-08	Screw Thd Cut 1/4-20 x 1/2
42	532 13 15-63	Cover Terminal Red
43	532 19 25-07	Solenoid
46	532 40 17-63	Gauge Hourmeter
50	532 19 61-12	Switch PTO
55	817 06 05-12	Screw Thdrol 5/16-18 x 3/4
59	532 40 03-03	Outlet 12-Volt
71	532 19 42-76	Harness Ign Chassis
79	532 17 52-42	Socket Asm Bulb
90	532 40 07-24	Cover Terminal Battery
91	532 19 02-70	Strap Battery
92	532 19 66-15	Harness Pigtail Reverse Switch
93	532 19 25-40	Screw Plastite 10-14 X 2.00
94	532 19 18-34	Module Reverse ROS
99	817 67 04-12	Screw Hexwsh Thdrol 1/4-20 x 3/4
100	819 09 14-16	Washer 9/32 x 7/8 x 16 Ga.
103	532 40 79-62	Harness Pigtail 12 V Outlet

NOTE: All component dimensions given in U.S. inches
1 inch = 25.4 mm

**TRACTOR - MODEL NO. LGT2554 (96045001501), PRODUCT NO. 960 45 00-15
CHASSIS**



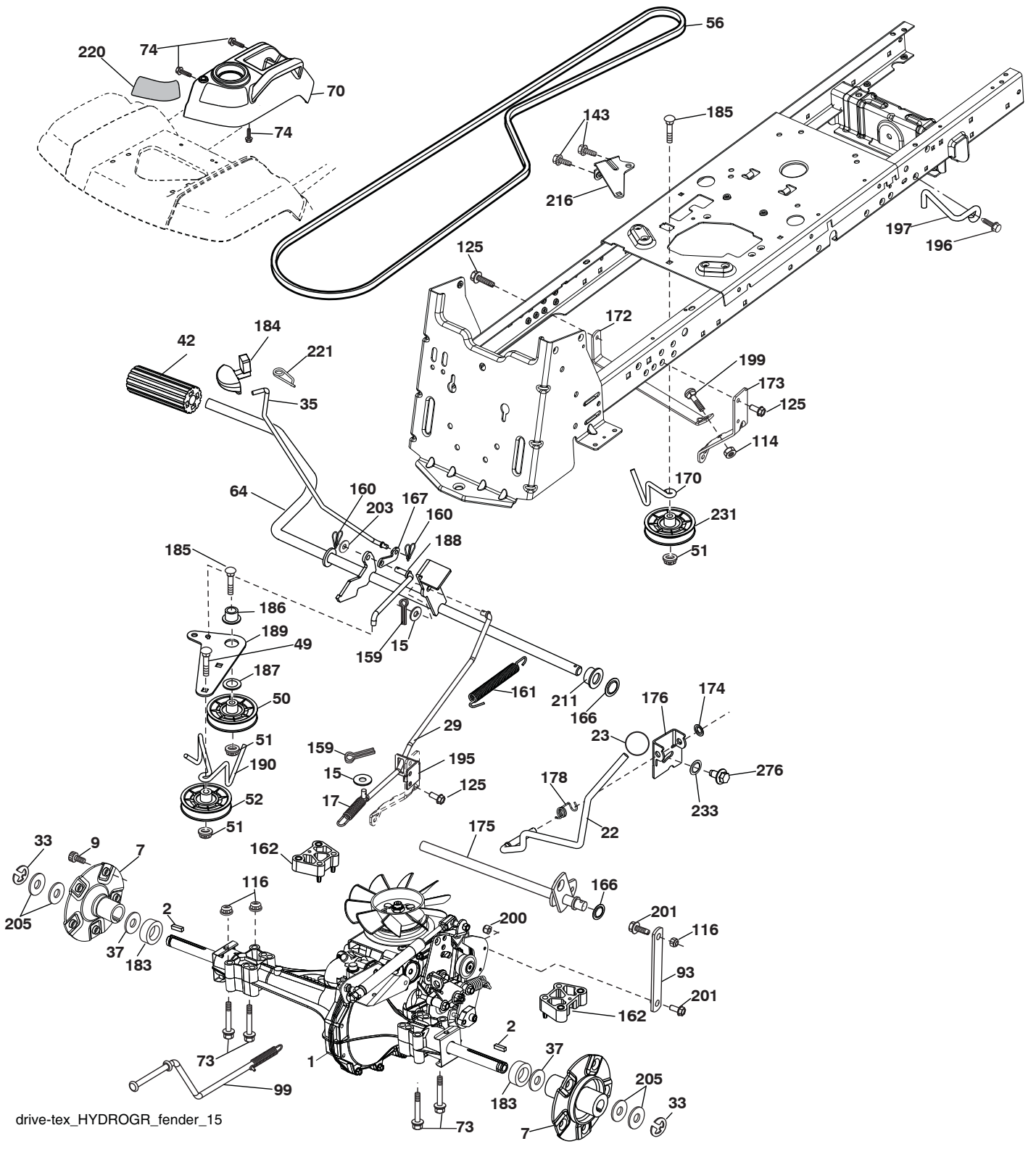
chassis-tex_TEX GT HUSQ_65

TRACTOR - MODEL NO. LGT2554 (96045001501), PRODUCT NO. 960 45 00-15 CHASSIS

KEY NO.	PART NO.	DESCRIPTION	KEY NO.	PART NO.	DESCRIPTION
3	532 40 50-12	Logo	199	532 19 82-59	Plate Deck Lift
5	532 41 87-42	Dash	202	532 40 30-48	Vent Side Hood RH
14	532 41 10-46	Hood Asm.	203	532 40 30-76	Vent Side Hood LH
15	532 19 89-07	Lens LH	204	532 41 66-13	Vent Asm Hood Top
18	532 40 86-07	Grille Asm.	205	532 40 17-09	Skirt Hood Side RH
25	532 19 89-06	Lens RH	206	532 40 17-11	Skirt Hood Side LH
34	532 19 61-25	Plate Engine	207	532 19 71-98	Bezel RH
36	817 06 05-12	Screw 5/16-18 x 3/4	208	532 19 71-99	Bezel LH
37	532 40 18-25	Fender	209	532 19 91-30	Insert Hex Top RH
52	873 68 05-00	Nut Crown Lock 5/16-18	210	532 19 91-31	Insert Hex Top LH
58	532 19 43-14	Bracket Fender	211	532 19 91-32	Insert Hex Bottom RH
68	817 49 05-08	Screw 5/16-18 x 1/2	212	532 19 91-33	Insert Hex Bottom LH
130	532 41 63-58	Screw #10 x .750 BOS Thread	213	874 76 05-12	Bolt Hex Hd 5/16-18 unc x 3/4
137	532 40 75-90	Bumper Dash	214	532 19 91-45	Clip Retainer
150	532 19 85-12	Duct Heat Hood	217	532 40 91-67	Rod Pivot
152	532 19 95-35	Shield Browning/Debris	218	532 19 63-95	Hood Stop
161	532 40 18-26	Console Fuel Window	221	532 19 89-09	Reflector LH
162	532 14 24-32	Screw Hex Wsh Hi-Lo 1/4 x 1/2	228	532 19 51-61	Stud Fastener
165	532 19 68-26	Bracket Support Tank	234	532 40 47-42	Bumper Hood
175	532 19 63-04	Crossmember	235	532 40 61-29	Spacer Fender
176	532 40 07-76	Screw 10-24 x 5/8	236	873 93 05-00	Nut Center Lock 5/16-18 unc
177	532 19 52-27	Bushing Steering	238	532 40 86-06	Trim
178	532 19 97-82	Cargo Asm. Net	289	532 41 17-64	Plug Cruise/Phone
180	532 19 54-77	Chassis	298	532 11 04-52	Nut Push
181	532 40 30-25	Bushing Mtg. Fender Crgo.			
182	532 40 68-59	Dash Lower			
183	874 78 05-20	Bolt Fin Hex 5/16-18 unc x 1-1/4			
189	817 00 05-12	Screw 5/16-18 x 3/4			
194	873 80 05-00	Nut Lock Hex Flange 5/16-18			
196	532 40 02-99	Console Asm. Deck Lift			

NOTE: All component dimensions given in U.S. inches
1 inch = 25.4 mm

TRACTOR - MODEL NO. LGT2554 (96045001501), PRODUCT NO. 960 45 00-15
DRIVE



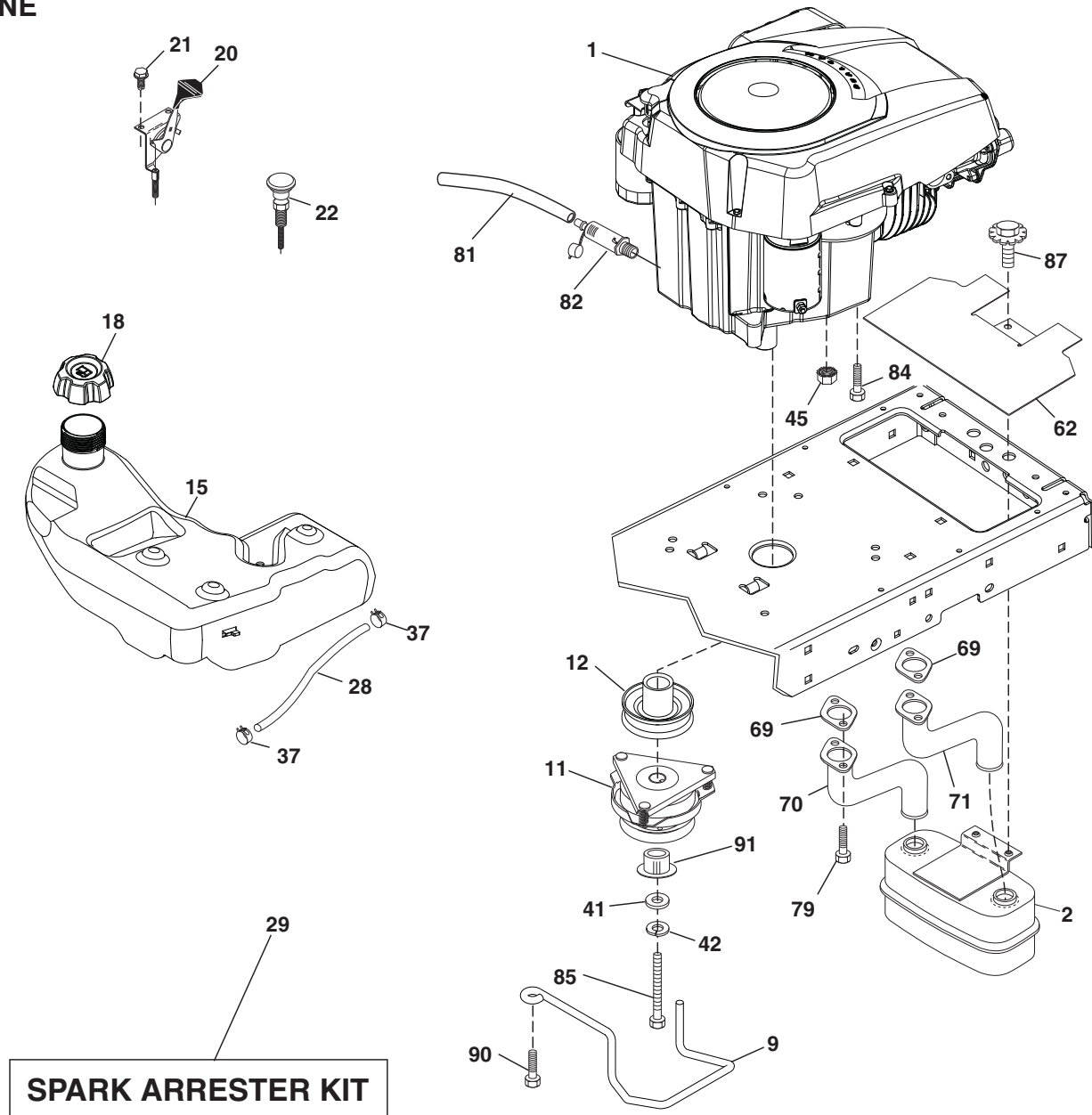
drive-tex_HYDROGR_fender_15

**TRACTOR - MODEL NO. LGT2554 (96045001501), PRODUCT NO. 960 45 00-15
DRIVE**

KEY NO.	PART NO.	DESCRIPTION	KEY NO.	PART NO.	DESCRIPTION
1	----	Transaxle, Hydro 316-0610	171	872 11 06-16	Bolt
2	532 18 62-11	Key 1/4 x 2.5	172	532 40 41-75	Strap Torque LH
7	532 19 98-44	Hub Asm. Wheel	173	532 19 76-55	Strap Torque RH
9	532 14 00-80	Bolt Hub Wheel	174	532 19 72-89	Nut Push
15	819 13 13-16	Washer 13/32 x 13/16 x 16 Ga.	175	532 19 76-53	Shaft Asm Shift
17	532 19 72-96	Spring, Brake	176	532 19 62-14	Arm, Shift Rod
22	532 19 73-29	Shifter Rod	178	532 19 74-56	Spring Shift
23	532 14 08-45	Knob	183	532 40 04-24	Spacer Split
29	532 19 76-59	Rod, Brake	184	532 40 31-18	Handle Parking Brake
33	812 00 00-01	Ring E	185	872 11 06-22	Bolt 3/8-16 x 2-3/4 Gr. 5
35	532 19 95-91	Rod, Brake, Park	186	532 19 43-21	Spacer Retainer
37	532 12 17-49	Washer	187	819 13 32-10	Washer
42	532 12 48-72	Cover, Foot Pedal	188	532 19 43-23	Link Clutch Ground Drive
49	872 11 06-14	Bolt	189	532 19 43-17	Bellcrank Ground Drive
50	532 19 43-27	Pulley Idler Flat	190	532 19 43-18	Keeper Bellcrank Ground Dr.
51	873 90 06-00	Lock Nut 3/8-16	195	532 19 80-12	Bracket Rod Brake
52	532 19 43-26	Idler V-Groove 910" Offset	196	817 00 06-16	Screw 3/8-16 x 1
56	532 14 02-18	V-Belt, Drive	197	532 19 97-69	Bracket Clutch Anti-Rotation
64	532 19 62-00	Shaft Asm. Pedal Brake Control	199	872 14 05-08	Bolt Rdhd Sqnk 5/16-18 unc x 1
70	532 40 02-98	Console Asm.	200	873 93 05-00	Nut Center Lock 5/16-18 unc
73	874 49 05-60	Bolt Hex 5/16-18 x 3.75	201	532 16 96-12	Bolt Shoulder 5/16-18 unc
74	532 14 24-32	Screw 1/4 x 1/2	203	819 11 11-16	Washer 11/32 x 11/16 x 16 Ga.
93	532 19 82-54	Link Shift	205	532 12 17-48	Washer
99	532 40 66-42	Rod Bypass	211	532 19 62-12	Bushing Shaft Brake
114	873 80 05-00	Nut Lock Hex w/Insert 5/16-18 unc	216	532 19 61-31	Bracket Pulley Idler
116	873 90 05-00	Nut Lock Hex Flange 5/16-18	220	532 19 89-08	Reflector RH
125	817 00 05-12	Screw 5/16-18 x 3/4	221	532 40 31-87	Retainer Spring Clip Handle
143	817 49 05-08	Screw 5/16-18 x 1/2	231	532 40 72-87	Idler V-Groove
159	876 02 04-12	Pin Cotter 1/8 x 3/4	233	532 40 52-96	Washer Serrated
160	532 16 94-84	Retainer Clip			
161	532 10 57-09	Spring, Return, Clutch			
162	532 19 57-85	Spacer			
166	532 42 83-05	Nut Push .625			
167	532 40 52-57	Latch Brake Parking			
170	532 41 34-30	Keeper Belt Centerspan			

NOTE: All component dimensions given in U.S. inches
1 inch = 25.4 mm

**TRACTOR - MODEL NO. LGT2554 (96045001501), PRODUCT NO. 960 45 00-15
ENGINE**



SPARK ARRESTER KIT

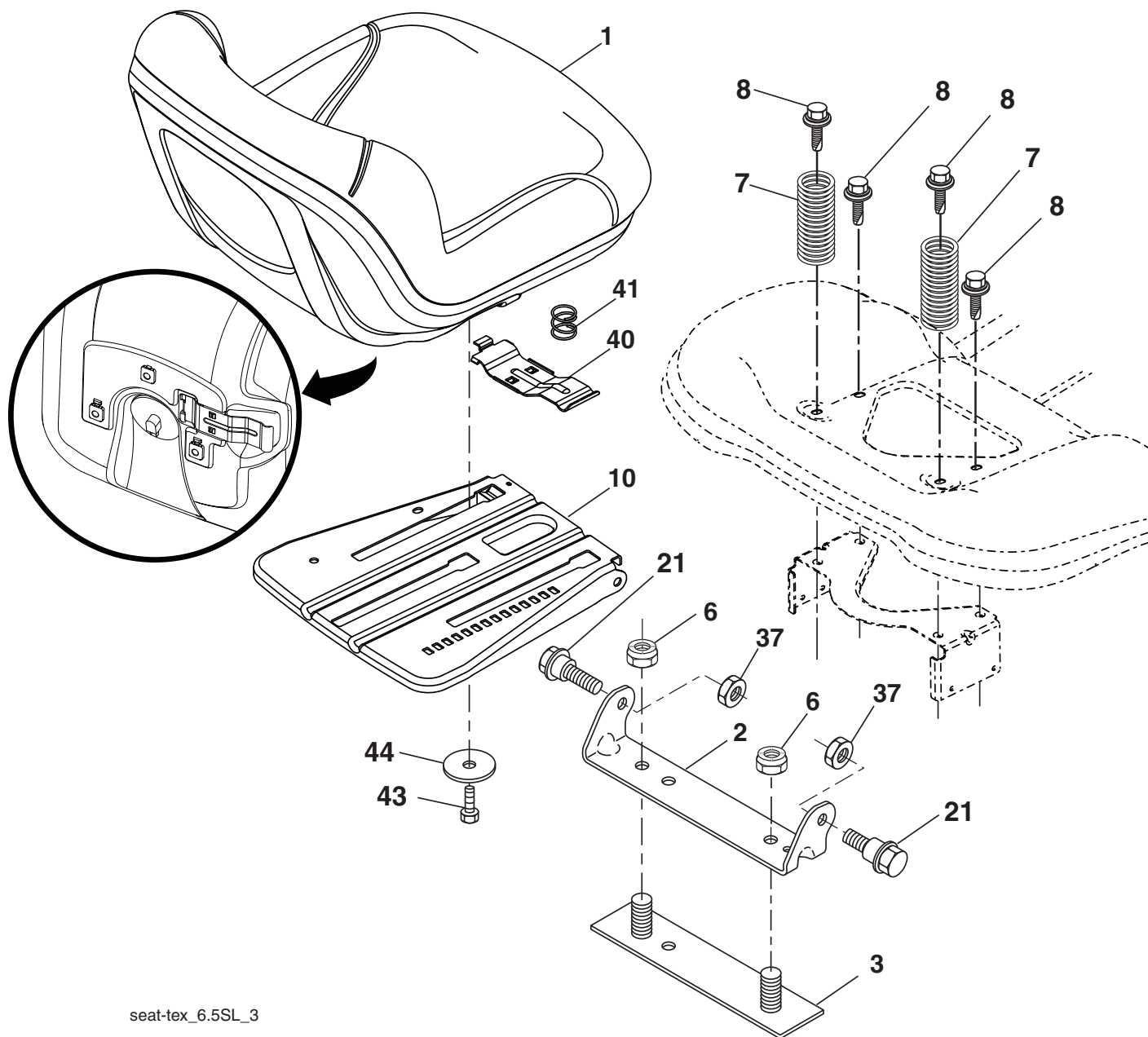
Engine-tex_Kohl-2cyl_1_r2

KEY NO.	PART NO.	DESCRIPTION
1	-----	EngineKohlModelNo. SV730-0040
2	532 14 97-23	Muffler
9	532 19 43-19	Keeper Belt Engine
11	532 17 93-35	Clutch Electric
12	532 40 24-63	Pulley Engine
15	532 19 34-99	Tank Fuel 4.0
18	532 19 42-67	Cap Asm
20	532 18 29-37	Control Throttle
21	532 41 63-58	Screw #10 x .750 BOS Thread
22	532 19 15-96	Control Choke
28	532 40 11-35	Fuel Line
29	532 13 71-80	Spark Arrester Kit
37	532 12 34-87	Clamp Hose
41	532 12 61-97	Washer 1-1/2 OD x 15/32 ID x .250
42	810 04 07-00	Washer Lock 7/16
45	873 51 04-00	Nut Keps Hex 1/4-20 unc

KEY NO.	PART NO.	DESCRIPTION
62	532 14 66-29	Shield Heat Muffler
69	-----	Gasket (Order from Eng. Mfrg.)
70	532 14 66-99	Tube Exhaust LH
71	532 46 67-00	Tube Exhaust RH
79	532 19 23-34	Screw Socket Head 5/16-18 x .75
81	532 14 84-56	Tube Drain Oil Easy
82	532 18 16-54	Plug Drain Oil
84	817 12 06-16	Screw 3/8-16 x 1
85	532 17 99-53	Bolt Hex 7/16-20 x 3.75 Gr. 5
87	532 19 82-39	Bolt 5/16-18 unc x 1 w/Sems
90	817 00 06-16	Screw 3/8-16 x 1
91	532 18 74-95	Bushing

NOTE: All component dimensions given in U.S. inches
1 inch = 25.4 mm

TRACTOR - MODEL NO. LGT2554 (96045001501), PRODUCT NO. 960 45 00-15 SEAT ASSEMBLY



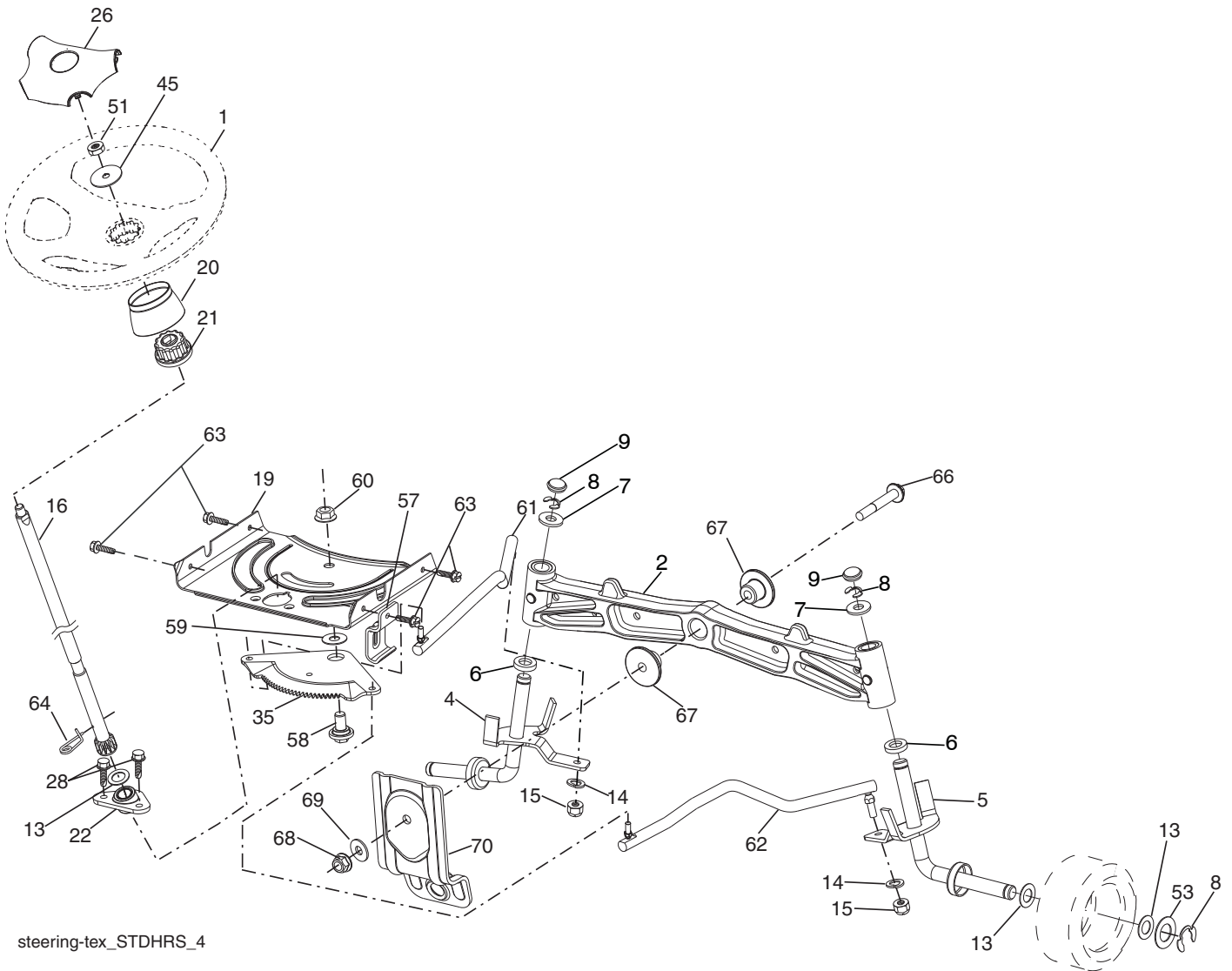
seat-tex_6.5SL_3

KEY NO.	PART NO.	DESCRIPTION
1	532 42 40-68	Seat
2	532 18 01-66	Bracket Pivot Fender
3	532 14 06-75	Strap, Asm Fender
6	873 80 06-00	Nut, Lock w/Ins. 3/8-16 unc
7	532 12 41-81	Spring, Seat Cprsn
8	532 17 18-77	Bolt 5/16-18 unc x 3/4 w/Sems
10	532 19 69-77	Pan, Seat
21	532 17 18-52	Bolt, Shoulder 5/16-18

KEY NO.	PART NO.	DESCRIPTION
37	873 80 05-00	Nut, Lock 5/16-18 unc
40	532 19 76-61	Handle Slide Seat
41	532 19 82-00	Spring Latch Seat
43	874 76 06-12	Bolt 3/8-16 x 3/4
44	819 13 38-12	Washer 13/32 x 2-3/8 x 12 Ga.

NOTE: All component dimensions given in U.S. inches
1 inch = 25.4 mm

TRACTOR - MODEL NO. LGT2554 (96045001501), PRODUCT NO. 960 45 00-15
STEERING ASSEMBLY



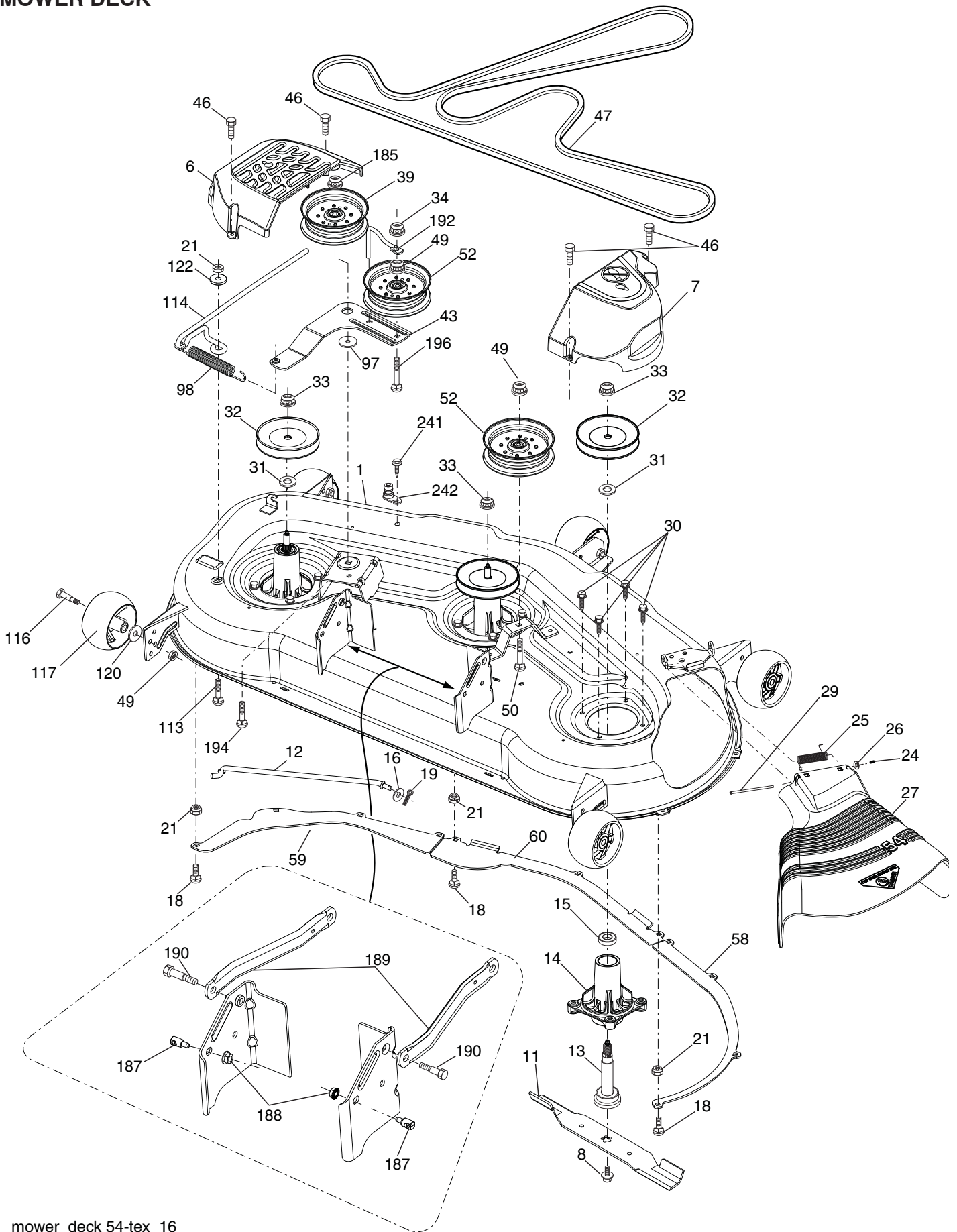
steering-tex_STDHRS_4

**TRACTOR - MODEL NO. LGT2554 (96045001501), PRODUCT NO. 960 45 00-15
STEERING ASSEMBLY**

KEY NO.	PART NO.	DESCRIPTION
1	532 42 34-69	Wheel, Steering
2	532 19 59-68	Axle Asm., Front
4	532 40 30-89	Spindle Asm., LH
5	532 40 30-90	Spindle Asm., RH
6	532 12 49-31	Bearing, Race Thrust Harden
7	532 12 17-48	Washer 25/32 x 1-5/8 x 16 Ga.
8	812 00 00-29	Ring, Clip #T5304-75
9	532 12 12-32	Cap, Spindle
13	532 12 17-49	Washer 25/32 x 1-1/4 x 16 Ga.
14	810 04 06-00	Washer, Lock Hvy Hlcl Spr 3/8
15	873 54 06-00	Nut, Crown Lock 3/8-24 unf
16	532 40 82-19	Shaft Steering
19	532 19 47-29	Plate Steering
21	532 18 67-37	Adapter, Wheel Steering
22	532 19 48-45	Bushing, Strg. Blk
26	532 41 59-87	Insert, Wheel Steering
28	817 00 06-12	Screw 3/8-16 x 3/4
35	532 19 47-32	Gear, Sector Plate
45	819 18 38-12	Washer 9/16 x 2-3/8 x 12 Ga.
51	873 94 08-00	Nut Hex Jam Toplock 1/2-20 unf
53	532 18 89-67	Washer Hardened .793 x 1.637 x .060
57	532 19 72-46	Bracket Upstop
58	532 19 47-47	Bolt Shoulder Sector Pivot CFM
59	532 19 47-48	Washer Thrust Sector Steering
60	873 97 10-00	Nut Flange Lock 5/8-11
61	532 19 47-40	Draglink, LH
62	532 19 47-41	Draglink, RH
63	817 00 05-12	Screw 5/16-18 x 3/4
64	532 19 98-49	Retainer Clip Spring Steering
66	871 02 07-48	Bolt Hex Fghd 7/16-14 x 3 Serr
67	532 19 47-37	Bushing PM Front Axle
68	873 90 07-00	Nut Lock Flange 7/16-14 Gr. 5
69	532 19 91-62	Washer 1.5 x .505 x .118
70	532 19 61-97	Bracket Deck Susp. Front

NOTE: All component dimensions given in U.S. inches
1 inch = 25.4 mm

TRACTOR - MODEL NO. LGT2554 (96045001501), PRODUCT NO. 960 45 00-15
MOWER DECK



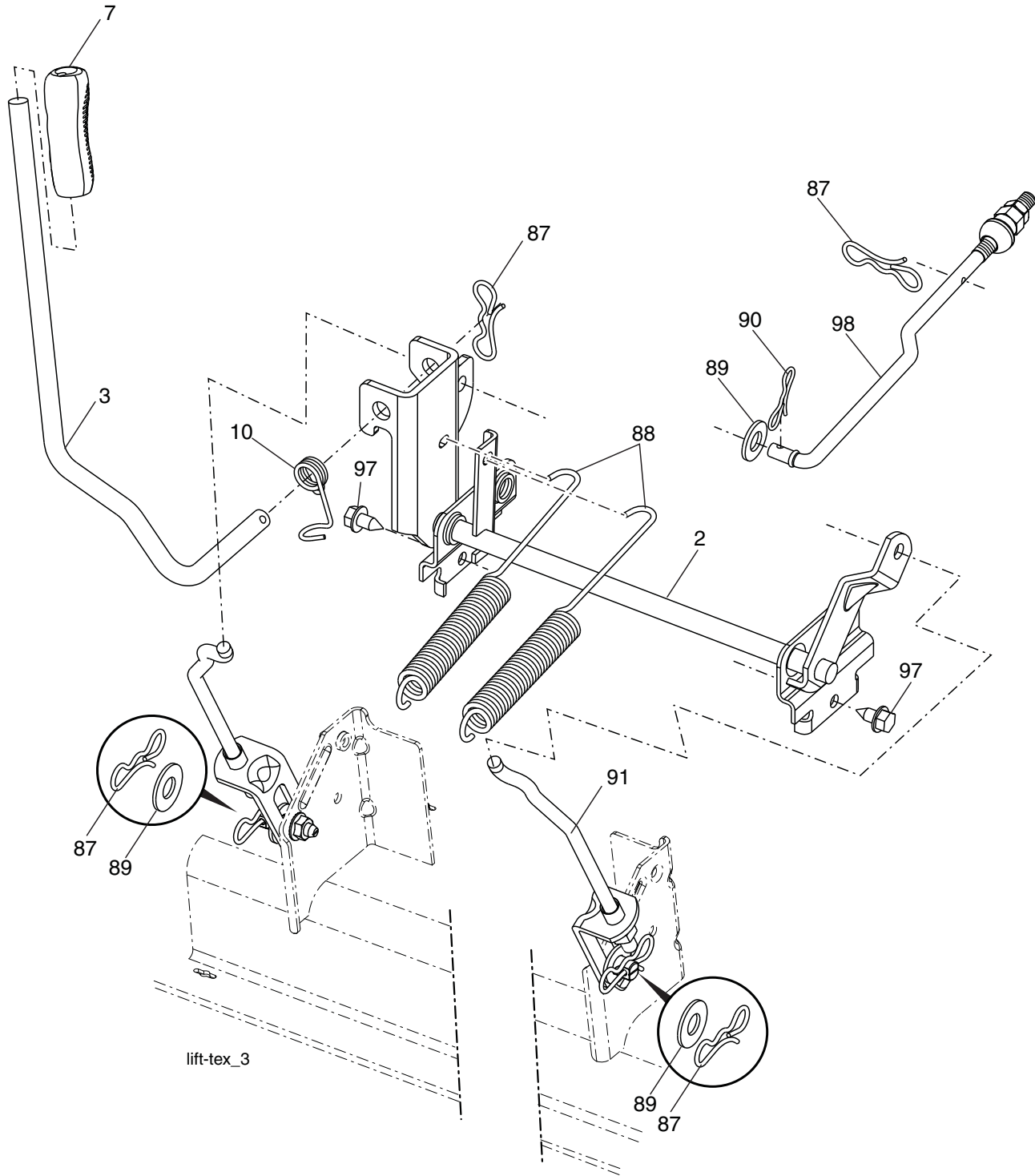
mower_deck 54-tex_16

**TRACTOR - MODEL NO. LGT2554 (96045001501), PRODUCT NO. 960 45 00-15
MOWER DECK**

KEY NO.	PART NO.	DESCRIPTION	KEY NO.	PART NO.	DESCRIPTION
1	532 40 31-25	Deck Weldment Mower	58	532 18 73-42	Baffle Right
6	532 19 60-66	Cover Mandrel LH	59	532 18 73-44	Baffle Left
7	532 19 71-81	Cover Mandrel RH	60	532 18 76-07	Baffle Center
8	532 19 30-03	Bolt 7/16 Asm. Blade	97	532 17 85-15	Washer Hardened
11	532 18 72-56	Blade Bagging	98	532 19 61-05	Spring Drive
-	532 18 72-55	Blade Mulching	113	872 11 05-08	Bolt Rdhd Sqnk 5/16-18 x 3/4
12	532 40 03-37	Rod Anti Sway	114	532 18 75-56	Rod Tension Relief
13	532 18 72-91	Shaft Asm. w/Lower Bearing	116	532 19 34-06	Bolt, Shoulder
14	532 18 72-81	Housing, Mandrel	117	532 17 48-73	Gauge Wheel
16	819 13 13-12	Washer 3/8	120	819 13 20-12	Washer 13/32 x 1-1/4 x 12 Ga.
15	532 11 04-85	Bearing, Ball, Mandrel	122	532 18 75-57	Bushing Tension Relief
18	872 14 05-05	Bolt Carriage 5/16-18 x 5/8	185	873 90 07-00	Nut Lock Flange 7/16-14 Gr. 5
19	532 19 42-08	Pin Cotter 5/16 Bowtie	187	532 19 51-61	Stud Fastener w/"D" Anti-Rotation
21	873 68 05-00	Nut, Crownlock 5/16-18 unc	188	873 90 05-00	Nut Lock Hex Flange
24	532 10 53-04	Cap Sleeve	189	532 19 51-85	Arm Susp. Mower Rear
25	532 17 81-02	Spring, Torsion	190	532 19 65-39	Bolt Shoulder
26	532 11 04-52	Nut, Push	192	532 19 84-68	Keeper Belt Idler
27	532 18 89-38	Deflector Shield	194	872 14 07-16	Bolt Carr Sqnk 7/16-24 x 2
29	532 13 14-91	Rod, Hinge	196	872 14 06-20	Bolt Rdhd 3/8-16 x 2-1/2 Gr. 5
30	532 17 39-84	Screw, Thdroll Washer Head	241	532 15 29-27	Screw
31	532 18 76-90	Washer, Spacer Mower Vented	242	532 41 55-98	Washout Port
32	532 15 35-35	Pulley, Mandrel	-	532 41 64-05	Coupling, Quick Connect
33	532 40 02-34	Nut, Flg. Top Lock	-	532 18 72-92	Mandrel Assembly (Includes housing, shaft assembly, and bearing only - pulley/nut/washer and blade bolt/washers not included)
34	873 68 06-00	Nut Crownlock 3/8-16 unc	-	532 19 93-00	Replacement Mower, Complete
39	532 19 73-80	Pulley, Idler, Stationary LH			
43	532 19 60-65	Arm, Idler			
46	532 13 77-29	Screw, Thdroll. 1/4-20 x 5/8			
47	532 19 61-03	Belt Deck Drive			
49	873 90 06-00	Nut, Lock Flg. 3/8-16 unc			
50	872 11 06-16	Bolt Rdhd Sqnk 3/8-16 unc x 2			
52	532 19 73-79	Pulley Idler			

NOTE: All component dimensions given in U.S. inches
1 inch = 25.4 mm

**TRACTOR - MODEL NO. LGT2554 (96045001501), PRODUCT NO. 960 45 00-15
MOWER LIFT**



KEY NO.	PART NO.	DESCRIPTION
2	532 42 20-27	Shaft Asm., Lift
3	532 19 52-30	Lever Asm., Lift RH
7	532 41 15-55	Grip, Lever
10	532 19 63-14	Spring Torsion
87	532 19 42-09	Pin Cotter 7/16 Bow Tie Lock
88	532 19 53-04	Spring Lift Assist
89	819 19 19-12	Washer Clear Zinc

KEY NO.	PART NO.	DESCRIPTION
90	532 19 42-08	Pin Cotter 5/16 Bow Tie Lock
91	532 40 34-07	Link Lift Susp Mower Rear
97	817 00 06-12	Screw 3/8-16 x 3/4
98	532 19 52-64	Link Lift Susp. Front Mower

NOTE: All component dimensions given in U.S. inches
1 inch = 25.4 mm