

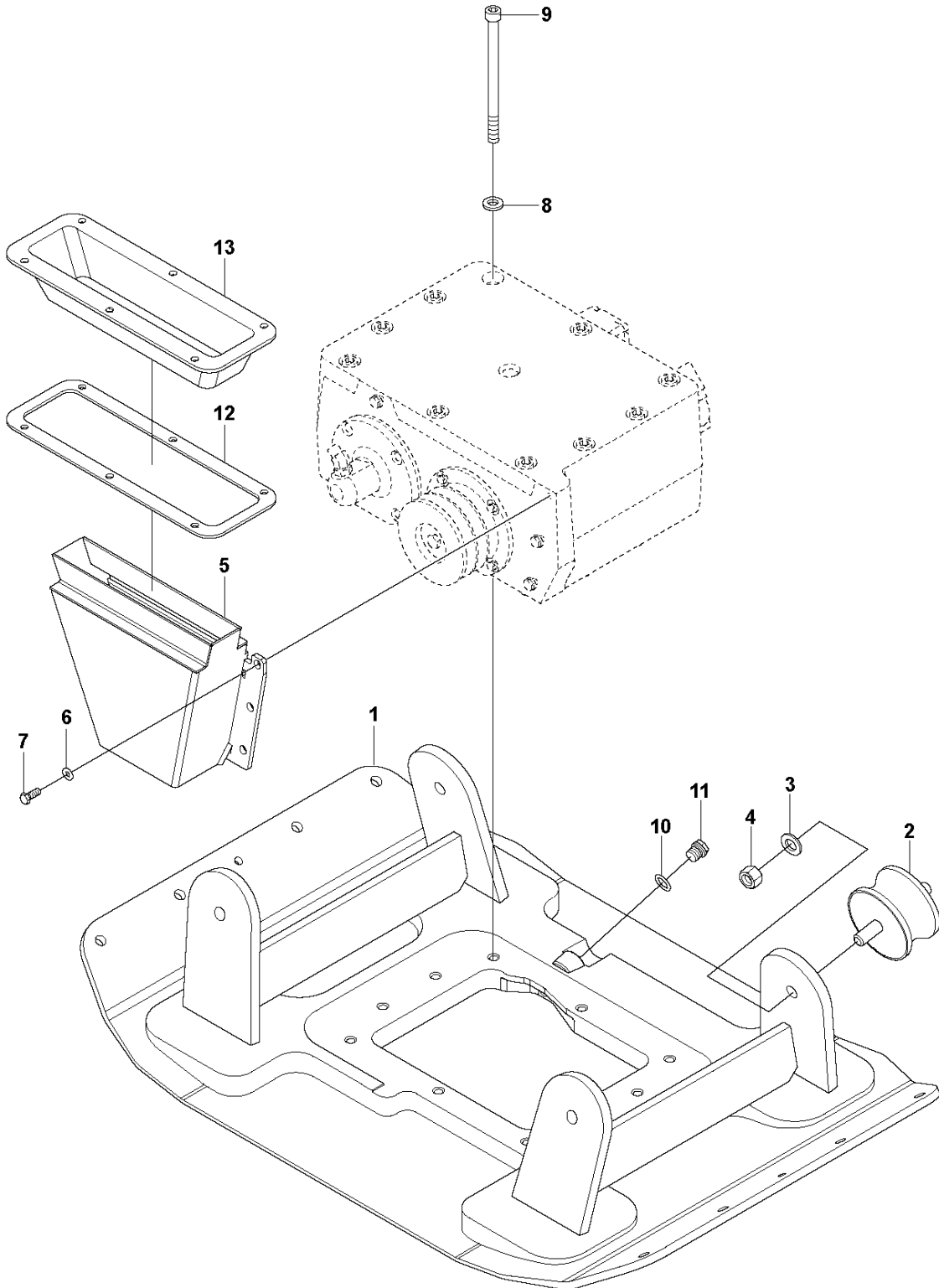


# SPARE PARTS LIST

## LIGHT COMPACTION

LG 400, 967855401, 967855402,  
967896401, 967896403, 2019-08

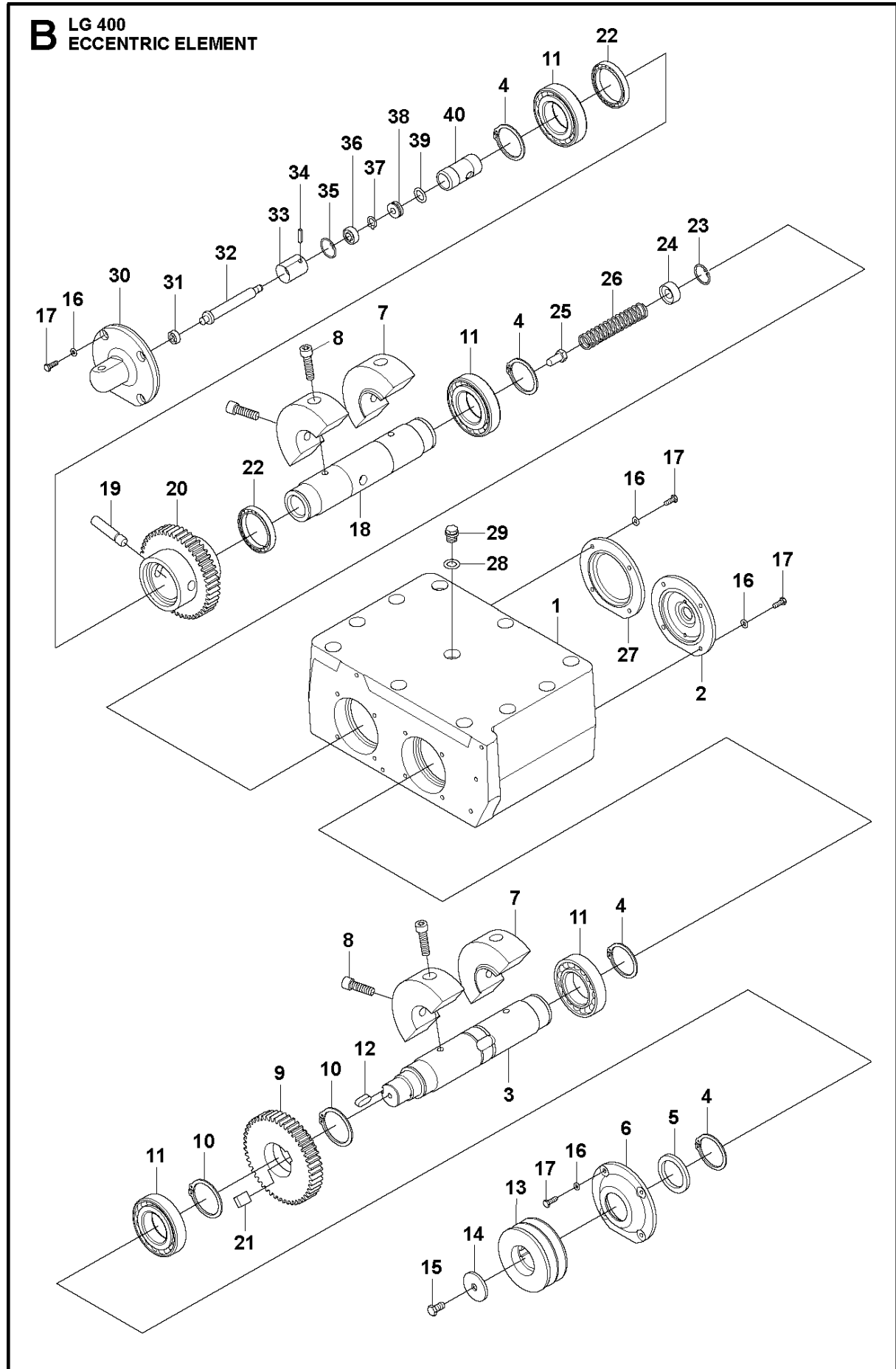
**A** LG 400  
GROUND PLATE & ECCENTRIC ELEMENT INSTALLATION



GROUND PLATE & ECCENTRIC ELEMENT INSTALLATION  
 967896401, 967896403, 2019-08

LG 400, 967855401, 967855402,

| Ref | Part No      | Description  | Remark                                              | QTY KIT |
|-----|--------------|--------------|-----------------------------------------------------|---------|
| 1   | 594 64 66-01 | GROUND PLATE |                                                     | 1       |
| 2   | 594 32 32-01 | ABSORBER     |                                                     | 4       |
| 3   | 595 03 67-01 | WASHER       | 17 x 30 x 3 mm, 0.70 x<br>1.18 x 0.12 in. 300 HV    | 4       |
| 4   | 595 03 58-01 | NUT          | M16 A3K                                             | 4       |
| 5   | 594 16 44-01 | BELT GUARD   |                                                     | 1       |
| 6   | 595 03 66-01 | WASHER       | 8.4 x 16 x 1.5 mm, 0.33 x<br>0.63 x 0.06 in. 300 HV | 5       |
| 7   | 594 11 79-01 | SCREW        | M8 x 20 mm 8.8 A2K                                  | 5       |
| 8   | 595 06 79-01 | WASHER       |                                                     | 10      |
| 9   | 594 83 69-01 | SCREW        |                                                     | 10      |
| 10  | 595 04 78-01 | GASKET       |                                                     | 1       |
| 11  | 595 04 83-01 | PLUG         |                                                     | 1       |
| 12  | 594 75 30-01 | FLANGE       |                                                     | 1       |
| 13  | 594 16 45-01 | PROTECTION   |                                                     | 1       |

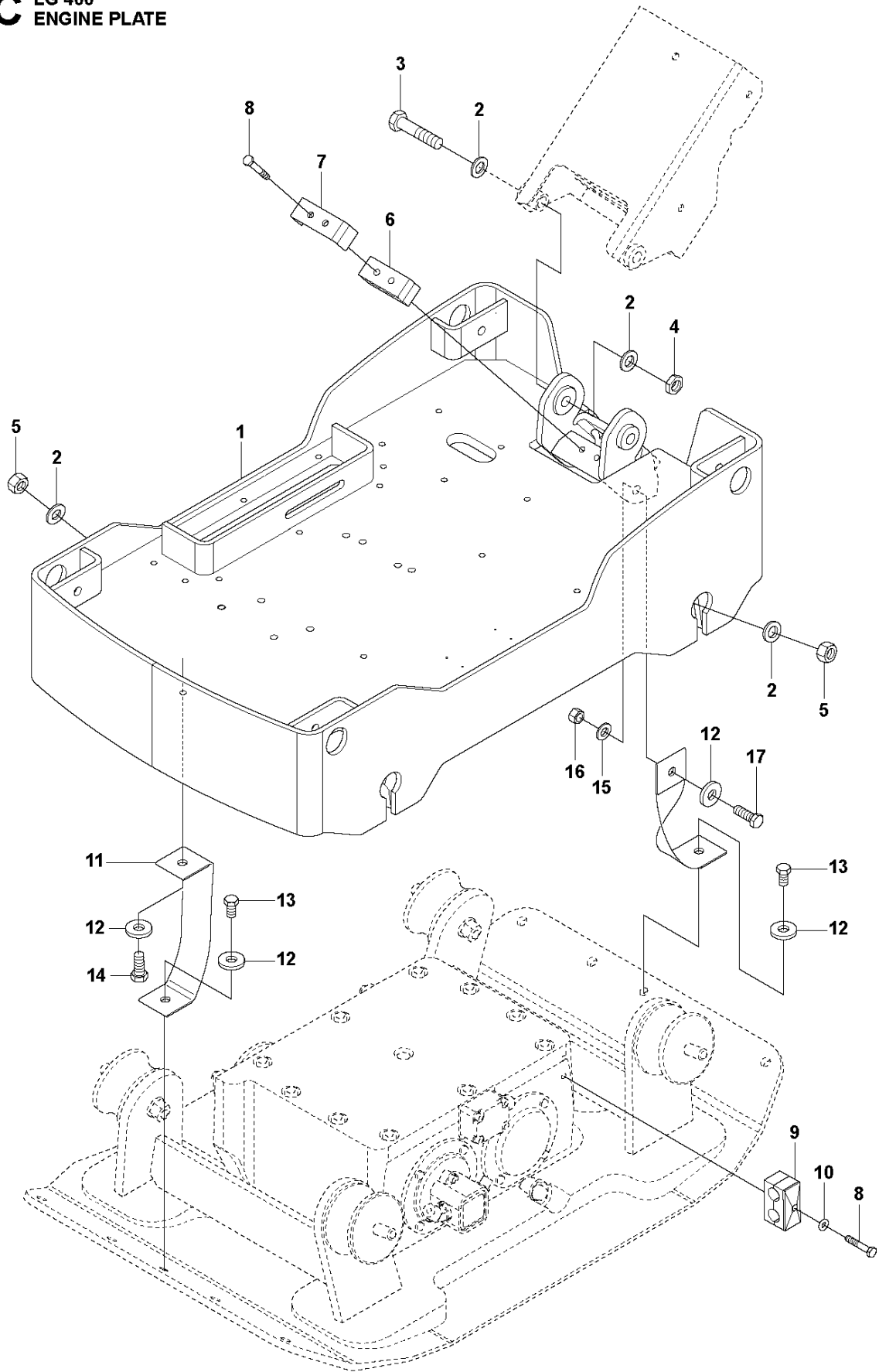


## ECCENTRIC ELEMENT

LG 400, 967855401, 967855402, 967896401, 967896403, 2019-08

| Ref | Part No      | Description        | Remark | QTY KIT |
|-----|--------------|--------------------|--------|---------|
| 1   | 596 65 47-01 | HOUSING            |        | 1       |
| 2   | 594 43 50-01 | COVER              |        | 1       |
| 3   | 594 43 06-01 | SHAFT              |        | 1       |
| 4   | 594 26 59-01 | RING               |        | 4       |
| 5   | 594 54 74-01 | SEALING            |        | 1       |
| 6   | 594 43 51-01 | COVER              |        | 1       |
| 7   | 594 49 22-01 | EXCENTER           |        | 4       |
| 8   | 594 54 72-01 | SCREW              |        | 8       |
| 9   | 594 43 20-01 | GEAR               |        | 1       |
| 10  | 595 14 45-01 | SNAP RING          |        | 2       |
| 11  | 594 54 69-01 | ROLLER BEARING     |        | 4       |
| 12  | 594 54 70-01 | KEY                |        | 1       |
| 13  | 594 42 96-01 | PULLEY             |        | 1       |
| 14  | 594 32 16-01 | WASHER             |        | 1       |
| 15  | 595 05 52-01 | SCREW              |        | 1       |
| 16  | 595 18 68-01 | WASHER             |        | 16      |
| 17  | 595 05 50-01 | SCREW              |        | 16      |
| 18  | 594 64 42-01 | SHAFT              |        | 1       |
| 19  | 594 32 22-01 | PIN                |        | 1       |
| 20  | 594 64 47-01 | GEAR               |        | 1       |
| 21  | 594 32 30-01 | KEY                |        | 1       |
| 22  | 594 54 76-01 | BALL BEARING       |        | 2       |
| 23  | 595 18 94-01 | SNAP RING          |        | 1       |
| 24  | 594 32 28-01 | STOP               |        | 1       |
| 25  | 594 32 29-01 | SCREW              |        | 1       |
| 26  | 594 54 78-01 | SPRING             |        | 1       |
| 27  | 594 43 52-01 | COVER              |        | 1       |
| 28  | 595 04 78-01 | GASKET             |        | 1       |
| 29  | 595 04 83-01 | PLUG               |        | 1       |
| 30  | 594 64 29-01 | HYDRAULIC CYLINDER |        | 1       |
| 31  | 594 33 22-01 | SEALING            |        | 1       |
| 32  | 594 18 30-01 | PISTON ROD         |        | 1       |
| 33  | 594 64 30-01 | CAP                |        | 1       |
| 34  | 595 06 26-01 | PIN                |        | 1       |
| 35  | 594 26 64-01 | RING               |        | 1       |
| 36  | 594 64 75-01 | BALL BEARING       |        | 1       |
| 37  | 594 26 56-01 | RING               |        | 1       |
| 38  | 594 64 76-01 | BALL BEARING       |        | 1       |
| 39  | 594 64 77-01 | SPRING WASHER      |        | 1       |
| 40  | 594 64 34-01 | PISTON             |        | 1       |

**C** LG 400  
ENGINE PLATE

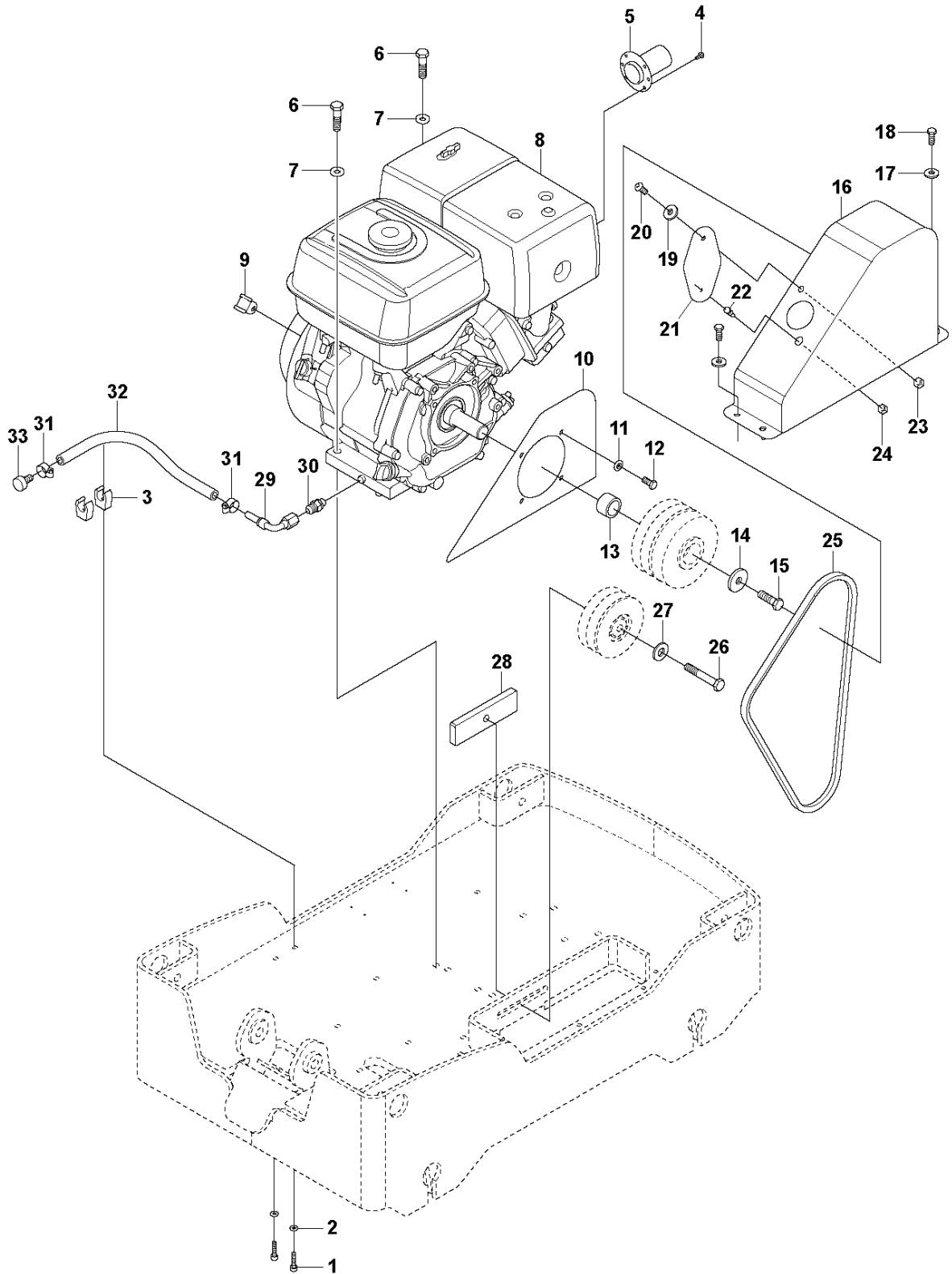


## ENGINE PLATE

LG 400, 967855401, 967855402, 967896401, 967896403, 2019-08

| Ref | Part No      | Description  | Remark                                              | QTY KIT |
|-----|--------------|--------------|-----------------------------------------------------|---------|
| 1   | 595 11 93-01 | ENGINE PLATE |                                                     | 1       |
| 2   | 595 03 67-01 | WASHER       | 17 x 30 x 3 mm, 0.70 x<br>1.18 x 0.12 in. 300 HV    | 8       |
| 3   | 595 07 05-01 | SCREW        | M16 x 75 mm 10.9<br>GEOMET®                         | 2       |
| 4   | 595 05 97-01 | NUT          | M16x2,00, -5, A3K                                   | 2       |
| 5   | 595 03 58-01 | NUT          | M16x2,00, -8, A3K                                   | 4       |
| 6   | 594 32 40-01 | BLOCK        |                                                     | 1       |
| 7   | 594 14 74-01 | BRACKET      |                                                     | 1       |
| 8   | 595 28 71-01 | SCREW        | M8 x 55 mm 8.8 A2K                                  | 3       |
| 9   | 594 45 52-01 | HOSE         |                                                     | 1       |
| 10  | 595 03 66-01 | WASHER       | 8.4 x 16 x 1.5 mm, 0.33 x<br>0.63 x 0.06 in. 300 HV | 1       |
| 11  | 594 14 30-01 | STRAP        |                                                     | 2       |
| 12  | 594 12 40-01 | WASHER       | 13 x 36 x 6 mm, 0.51 x<br>1.42 x 0.24 in. 300 HV    | 4       |
| 13  | 595 34 52-01 | BOLT         | M8 x 20 mm 8.8 A2K                                  | 2       |
| 14  | 595 05 53-01 | SCREW        | M12x025H, 8.8, A3K                                  | 1       |
| 15  | 595 06 68-01 | WASHER       | 13 x 24 x 2 mm, 0.51 x<br>0.98 x 0.08 in. 300 HV    | 1       |
| 16  | 595 35 18-01 | NUT          | M12x1,75, -8, A3K                                   | 1       |
| 17  | 595 11 03-01 | SCREW        | M12 x 35 mm 8.8 A3K                                 | 1       |

**D** LG 400  
ENGINE INSTALLATION - HONDA

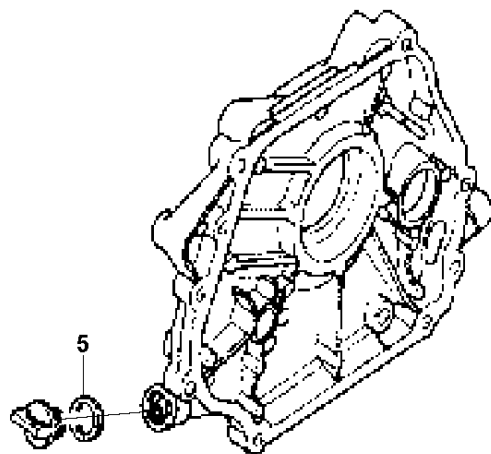
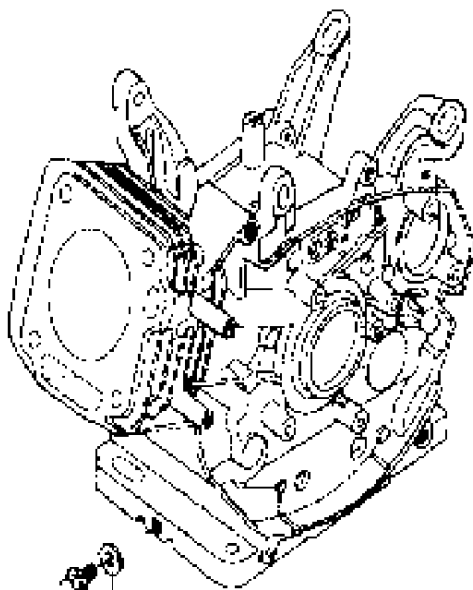
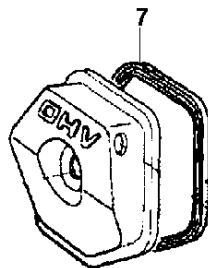
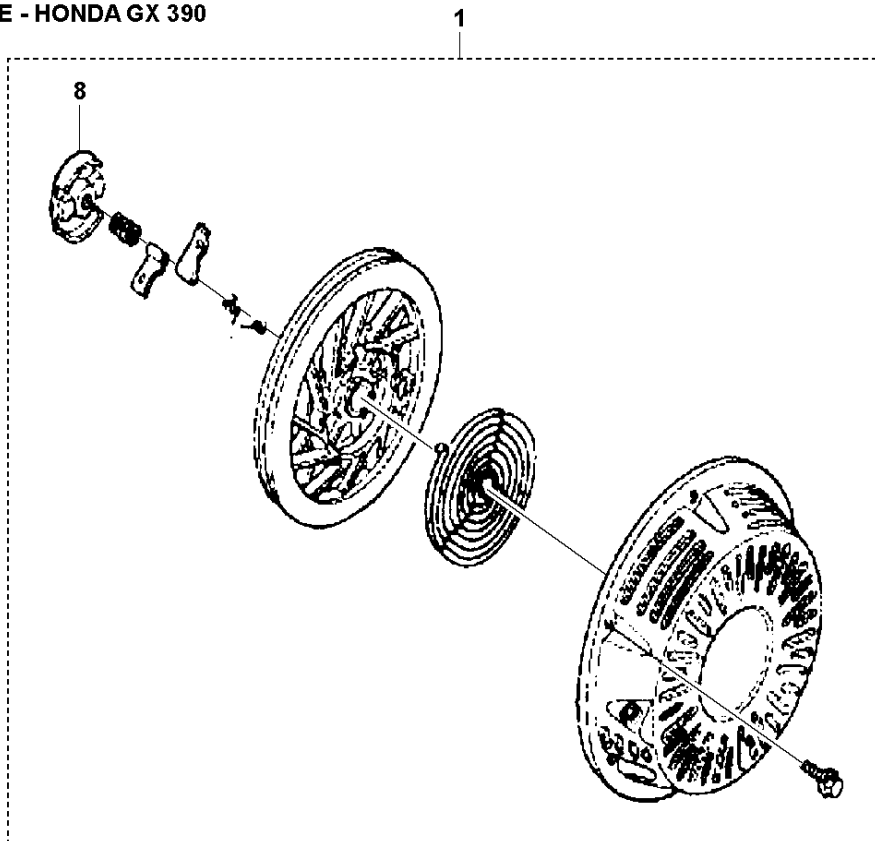




ENGINE INSTALLATION - HONDA LG 400, 967855401, 967855402, 967896401, 967896403, 2019-08

| Ref | Part No      | Description  | Remark               | QTY KIT |
|-----|--------------|--------------|----------------------|---------|
| 1   | 595 34 81-01 | SOCKET       |                      | 2       |
| 2   | 595 03 65-01 | WASHER       |                      | 2       |
| 3   | 594 33 10-01 | CLIP         |                      | 2       |
| 4   | 595 06 40-01 | SCREW        |                      | 6       |
| 5   | 594 49 17-01 | EXHAUST PIPE |                      | 1       |
| 6   | 595 34 48-01 | SCREW        |                      | 4       |
| 7   | 594 74 74-01 | WASHER       |                      | 4       |
| 8   | 595 17 79-01 | ENGINE       |                      | 1       |
| 9   | 595 03 75-01 | CLAMP        |                      | 2       |
| 10  | 595 50 32-01 | GUARD        |                      | 1       |
| 11  | 595 03 66-01 | WASHER       |                      | 4       |
| 12  | 594 11 79-01 | SCREW        |                      | 4       |
| 13  | 595 21 30-01 | SPACER       |                      | 1       |
| 14  | 595 19 39-01 | WASHER       |                      | 1       |
| 15  | 595 03 34-01 | SCREW        |                      | 1       |
| 16  | 594 95 89-01 | COVER        |                      | 1       |
| 17  | 595 03 66-01 | WASHER       |                      | 4       |
| 18  | 594 11 79-01 | SCREW        |                      | 4       |
| 19  | 594 53 52-01 | WASHER       |                      | 1       |
| 20  | 594 53 50-01 | SCREW        | M08x25, A2-70, Black | 1       |
| 21  | 594 49 11-01 | PROTECTION   |                      | 1       |
| 22  | 594 52 71-01 | BALL JOINT   |                      | 1       |
| 23  | 595 03 57-01 | NUT          |                      | 1       |
| 24  | 595 28 75-01 | HEXAGON NUT  |                      | 1       |
| 25  | 594 65 13-01 | V-BELT       |                      | 2       |
| 26  | 595 34 54-01 | SCREW        |                      | 1       |
| 27  | 595 11 28-01 | WASHER       |                      | 1       |
| 28  | 595 17 77-01 | HOLDER       |                      | 1       |
| 29  | 594 52 29-01 | CONNECTOR    |                      | 1       |
| 30  | 595 18 60-01 | ADAPTER      |                      | 1       |
| 31  | 595 45 46-01 | CLAMP        |                      | 2       |
| 32  | 594 14 78-01 | HOSE         |                      | 1       |
| 33  | 594 14 73-01 | PLUG         |                      | 1       |

**E** LG 400  
ENGINE - HONDA GX 390



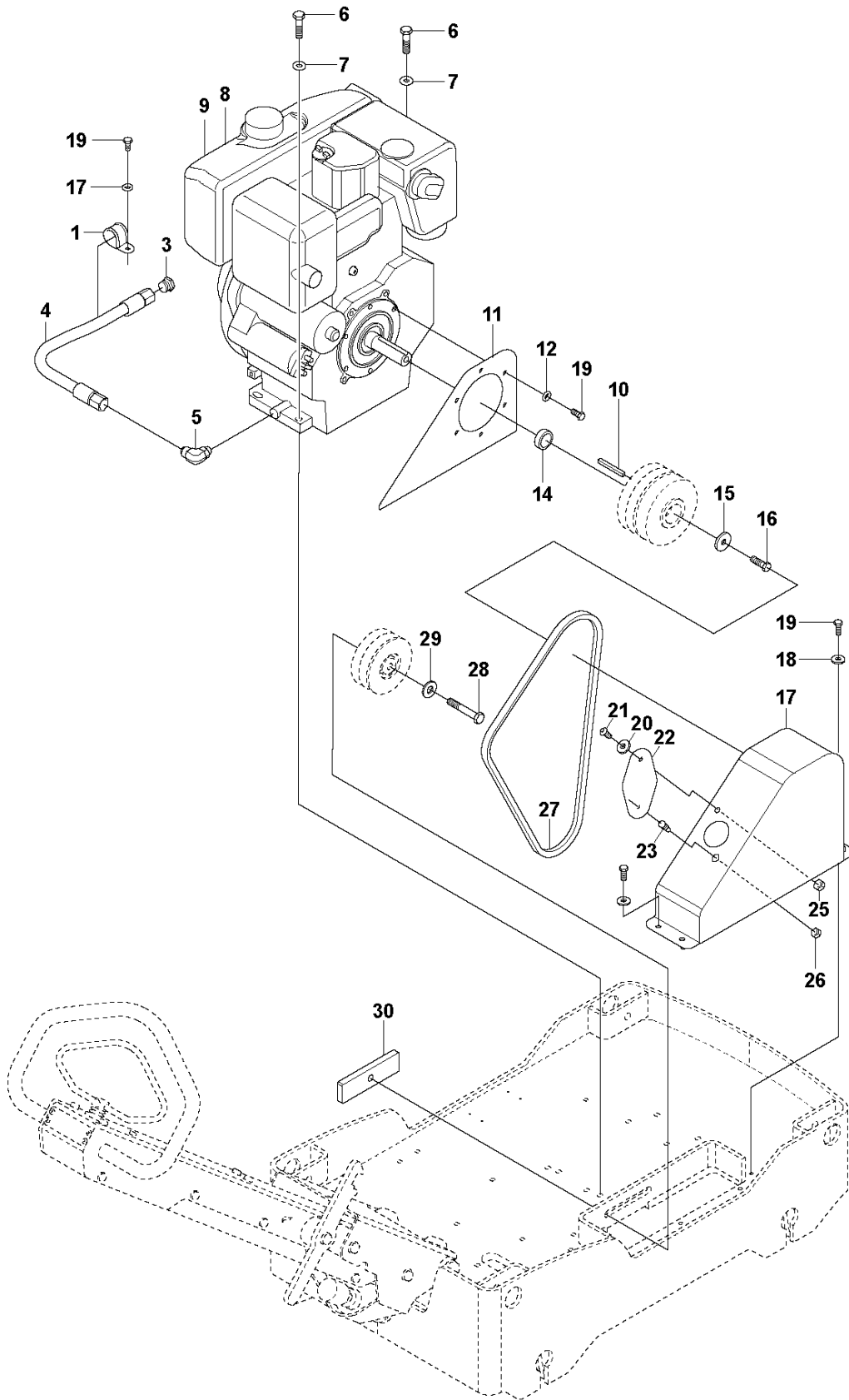
5

## ENGINE - HONDA

LG 400, 967855401, 967855402, 967896401, 967896403, 2019-08

| Ref | Part No      | Description  | Remark   | QTY | KIT |
|-----|--------------|--------------|----------|-----|-----|
| 1   | 595 35 92-01 | STARTER ASSY | Complete | 1   |     |
| 8   | 595 19 11-01 | SUPPORT      |          | 1   | 1   |
| 7   | 594 76 03-01 | GASKET       |          | 1   |     |
| 10  | 595 05 13-01 | SPARK PLUG   |          | 1   |     |
| 13  | 594 20 40-01 | SPARK PLUG   |          | 1   |     |
| 8   | 595 13 12-01 | GASKET       |          | 1   |     |
| 14  | 595 04 94-01 | GASKET       |          | 1   |     |
| 22  | 595 04 93-01 | NUT          |          | 1   |     |
| 2   | 594 76 06-01 | GASKET       |          | 2   |     |
| 5   | 595 37 42-01 | CAP          |          | 1   |     |

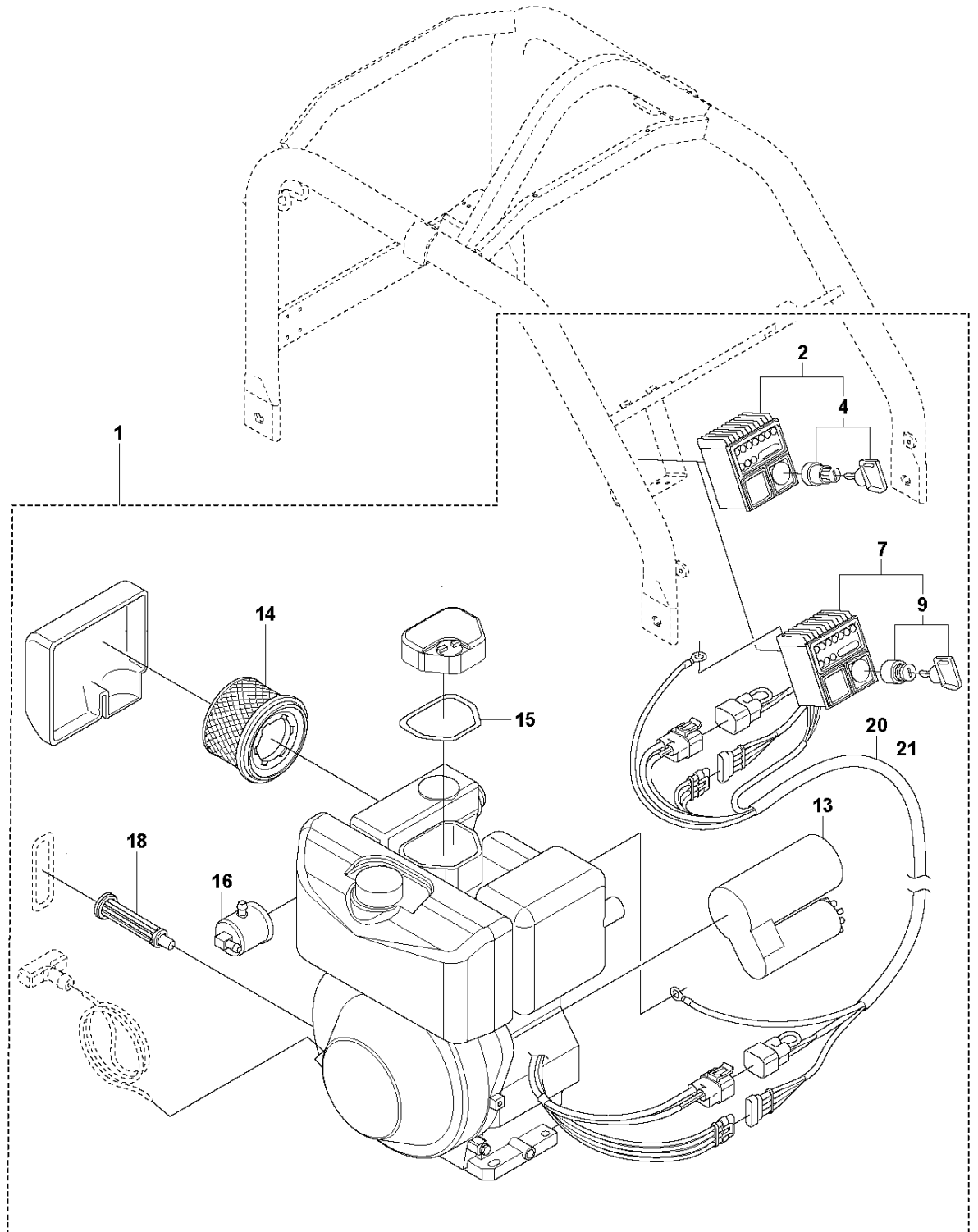
**F** LG 400  
ENGINE INSTALLATION - LOMBARDINI



ENGINE INSTALLATION - LOMBARDINI LG 400, 967855401, 967855402, 967896401, 967896403, 2019-08

| Ref | Part No      | Description    | Remark               | QTY KIT |
|-----|--------------|----------------|----------------------|---------|
| 1   | 595 18 86-01 | CLAMP          |                      | 1       |
| 3   | 595 45 25-01 | PLUG           |                      | 1       |
| 4   | 595 17 81-01 | HYDRAULIC HOSE |                      | 1       |
| 5   | 595 18 80-01 | ADAPTER        |                      | 1       |
| 6   | 595 34 48-01 | SCREW          |                      | 4       |
| 7   | 594 74 74-01 | WASHER         |                      | 4       |
| 8   | 595 50 34-01 | ENGINE         |                      | 1       |
| 9   | 594 49 23-01 | ENGINE         |                      | 1       |
| 10  | 594 36 86-01 | KEY            |                      | 1       |
| 11  | 595 21 29-01 | BELT GUARD     |                      | 1       |
| 12  | 595 03 66-01 | WASHER         |                      | 6       |
| 14  | 595 46 51-01 | SPACER         |                      | 1       |
| 15  | 594 85 88-01 | WASHER         |                      | 1       |
| 16  | 595 46 67-01 | SCREW          |                      | 1       |
| 17  | 594 95 89-01 | COVER          |                      | 1       |
| 18  | 595 03 66-01 | WASHER         |                      | 5       |
| 19  | 594 11 79-01 | SCREW          |                      | 4       |
| 20  | 594 53 52-01 | WASHER         |                      | 1       |
| 21  | 594 53 50-01 | SCREW          | M08x25, A2-70, Black | 1       |
| 22  | 594 49 11-01 | PROTECTION     |                      | 1       |
| 23  | 594 52 71-01 | BALL JOINT     |                      | 1       |
| 25  | 595 03 57-01 | NUT            |                      | 1       |
| 26  | 595 28 75-01 | HEXAGON NUT    |                      | 1       |
| 27  | 594 33 29-01 | BELT           |                      | 2       |
| 28  | 595 34 54-01 | SCREW          |                      | 1       |
| 29  | 595 11 28-01 | WASHER         |                      | 1       |
| 30  | 595 17 77-01 | HOLDER         |                      | 1       |

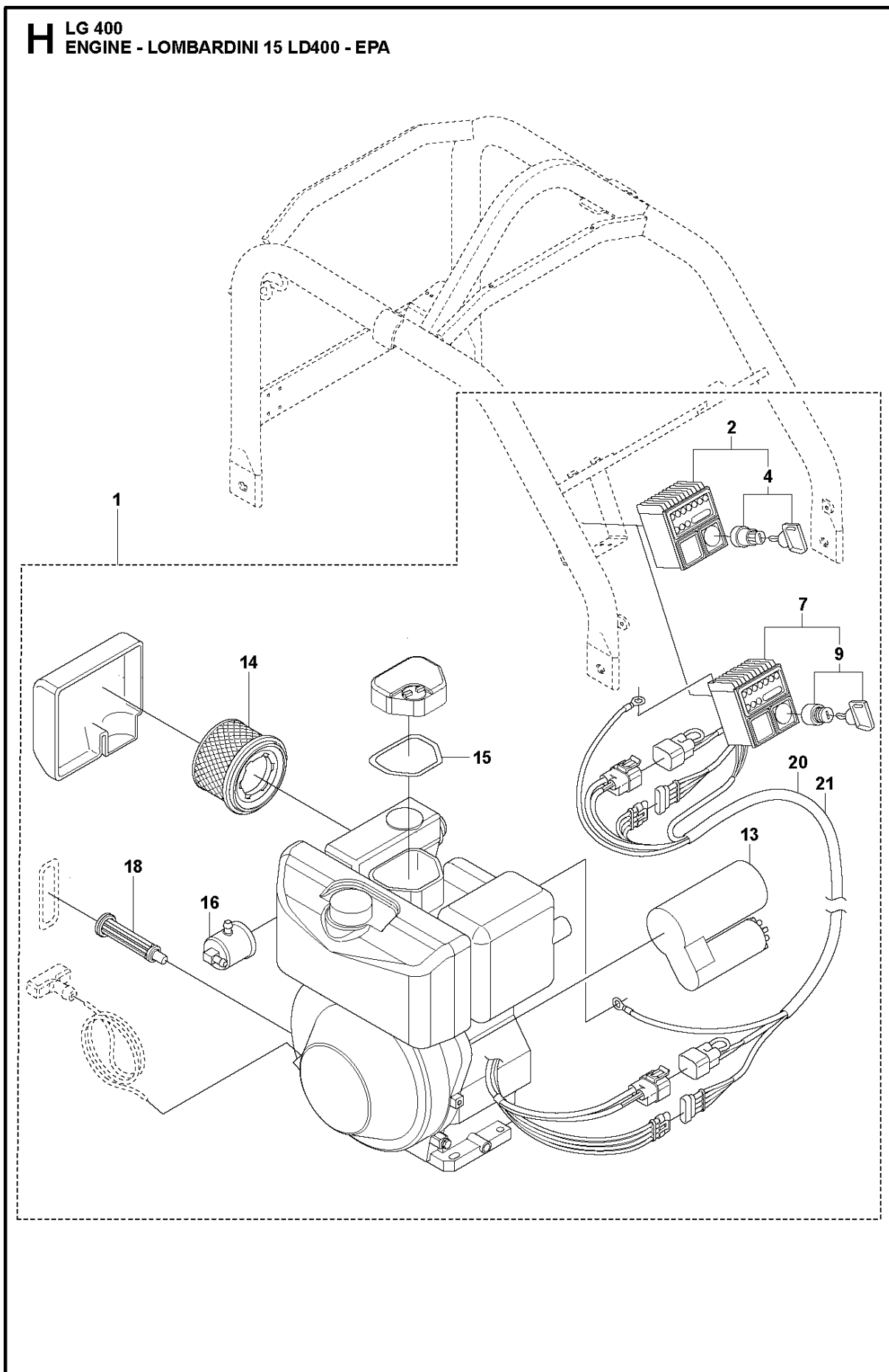
**G** LG 400  
ENGINE - LOMBARDINI 15 LD400 - NON EPA



ENGINE - LOMBARDINI - NON EPALG 400, 967855401, 967855402, 967896401, 967896403, 2019-08

| Ref | Part No      | Description     | Remark             | QTY | KIT |
|-----|--------------|-----------------|--------------------|-----|-----|
| 1   | 595 50 34-01 | ENGINE          | Lombardini 15LD440 | 1   |     |
| 2   | 594 21 18-01 | BOX             |                    | 1   | 1   |
| 4   | 594 20 20-01 | IGNITION SWITCH |                    | 1   | 2   |
| 7   | 594 21 40-01 | STARTER         |                    | 1   |     |
| 9   | 594 19 14-01 | IGNITION SWITCH |                    | 1   | 7   |
| 13  | 594 19 78-01 | STARTER         |                    | 1   |     |
| 14  | 594 19 74-01 | AIR FILTER      |                    | 1   |     |
| 15  | 594 19 77-01 | COVER           |                    | 1   |     |
| 16  | 594 19 73-01 | FUEL FILTER     |                    | 1   |     |
| 18  | 594 19 75-01 | OIL FILTER      |                    | 1   |     |
| 20  | 594 17 63-01 | HARNESS         |                    | 1   |     |
| 21  | 597 16 07-01 | EXTENSION CABLE |                    | 1   |     |

**H** LG 400  
ENGINE - LOMBARDINI 15 LD400 - EPA

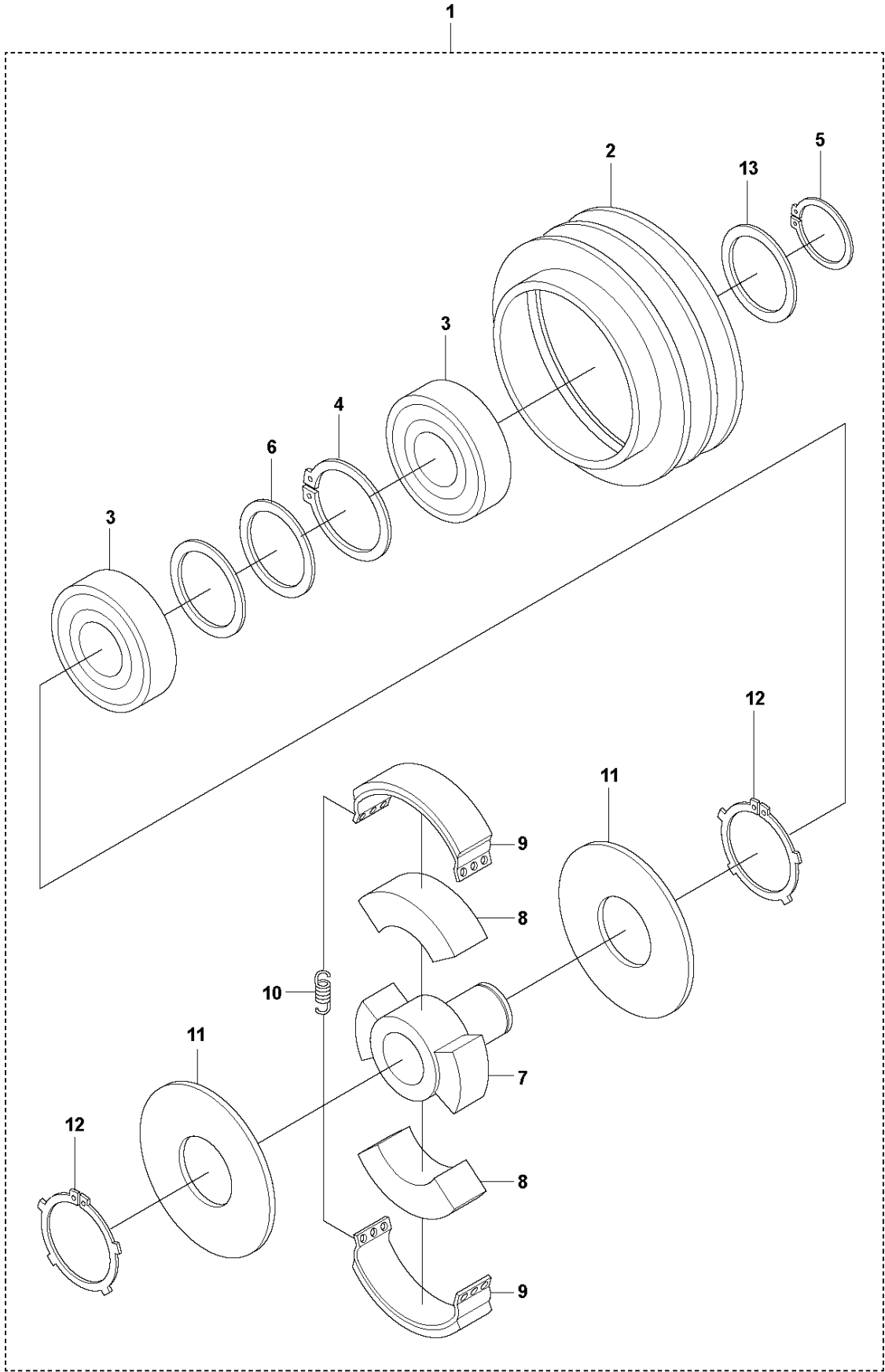




ENGINE - LOMBARDINI - EPA LG 400, 967855401, 967855402, 967896401, 967896403, 2019-08

| Ref | Part No      | Description     | Remark                 | QTY KIT |   |
|-----|--------------|-----------------|------------------------|---------|---|
| 1   | 594 49 23-01 | ENGINE          | Lombardini 15LD440 EPA | 1       |   |
| 2   | 594 21 18-01 | BOX             |                        | 1       | 1 |
| 4   | 594 20 20-01 | IGNITION SWITCH |                        | 1       | 2 |
| 7   | 594 21 40-01 | STARTER         |                        | 1       |   |
| 9   | 594 19 14-01 | IGNITION SWITCH |                        | 1       | 7 |
| 13  | 594 19 78-01 | STARTER         |                        | 1       |   |
| 14  | 594 19 74-01 | AIR FILTER      |                        | 1       |   |
| 15  | 594 19 77-01 | COVER           |                        | 1       |   |
| 16  | 594 19 73-01 | FUEL FILTER     |                        | 1       |   |
| 18  | 594 19 75-01 | OIL FILTER      |                        | 1       |   |
| 20  | 594 17 63-01 | HARNESS         |                        | 1       |   |
| 21  | 597 16 07-01 | EXTENSION CABLE |                        | 1       |   |

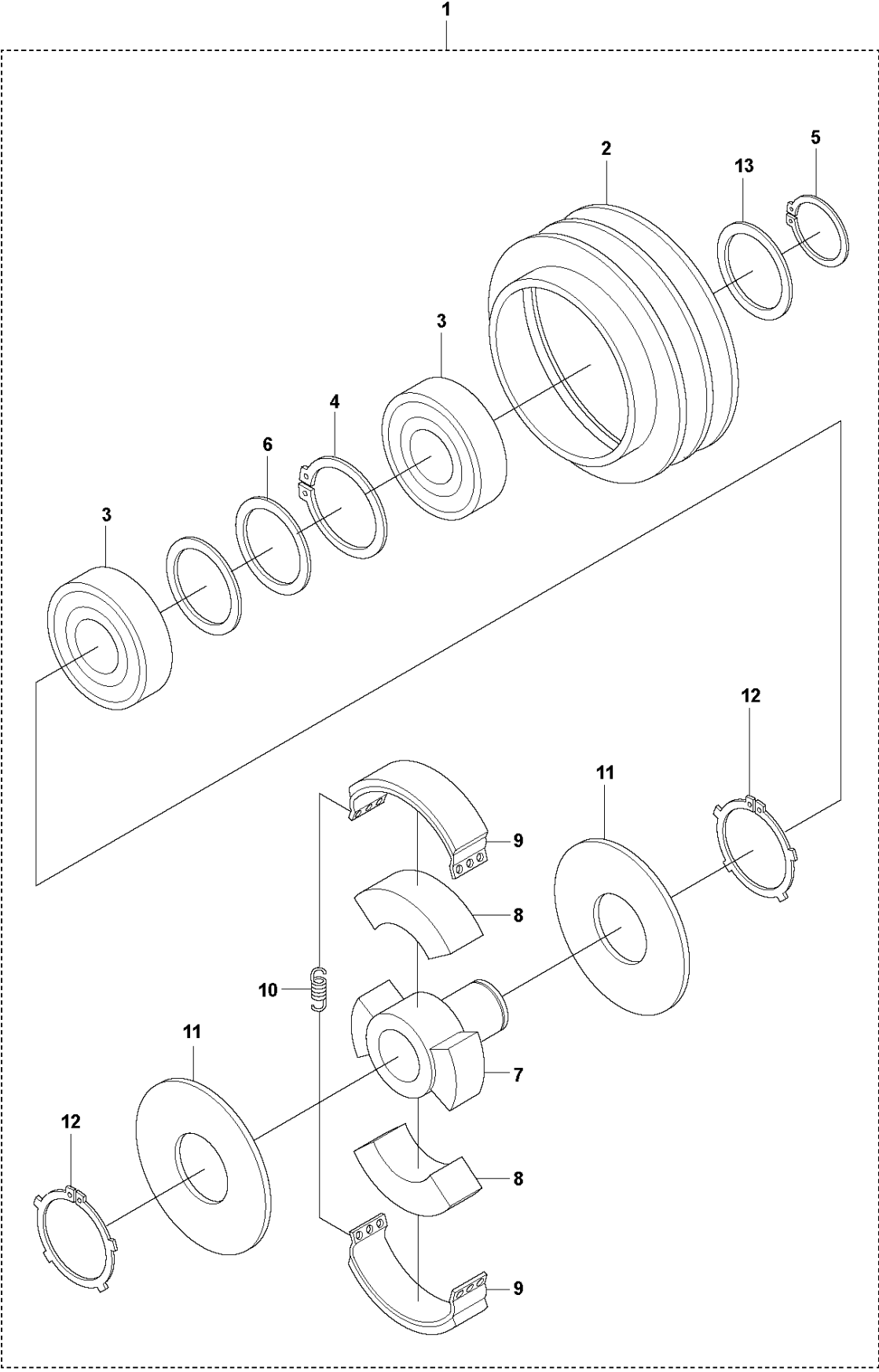
**J** LG 400  
CENTRIFUGAL CLUTCH - HONDA



CENTRIFUGAL CLUTCH - HONDA LG 400, 967855401, 967855402, 967896401, 967896403, 2019-08

| Ref | Part No      | Description        | Remark | QTY KIT |
|-----|--------------|--------------------|--------|---------|
| 1   | 594 64 57-01 | CENTRIFUGAL CLUTCH |        | 1       |
| 2   | 594 65 79-01 | PULLEY             |        | 1       |
| 3   | 594 60 76-01 | BALL BEARING       |        | 2       |
| 4   | 595 19 30-01 | RING               |        | 1       |
| 5   | 594 55 75-01 | RETAINER RING      |        | 1       |
| 6   | 595 19 31-01 | SHIM               |        | 2       |
| 7   | 595 50 52-01 | HUB                |        | 1       |
| 8   | 594 60 78-01 | WEIGHT             |        | 2       |
| 9   | 594 29 55-01 | CLUTCH             |        | 2       |
| 10  | 594 65 77-01 | SPRING             |        | 4       |
| 11  | 594 60 79-01 | COVER              |        | 2       |
| 12  | 594 60 80-01 | RING               |        | 2       |
| 13  | 595 19 32-01 | SHIM               |        | 1       |

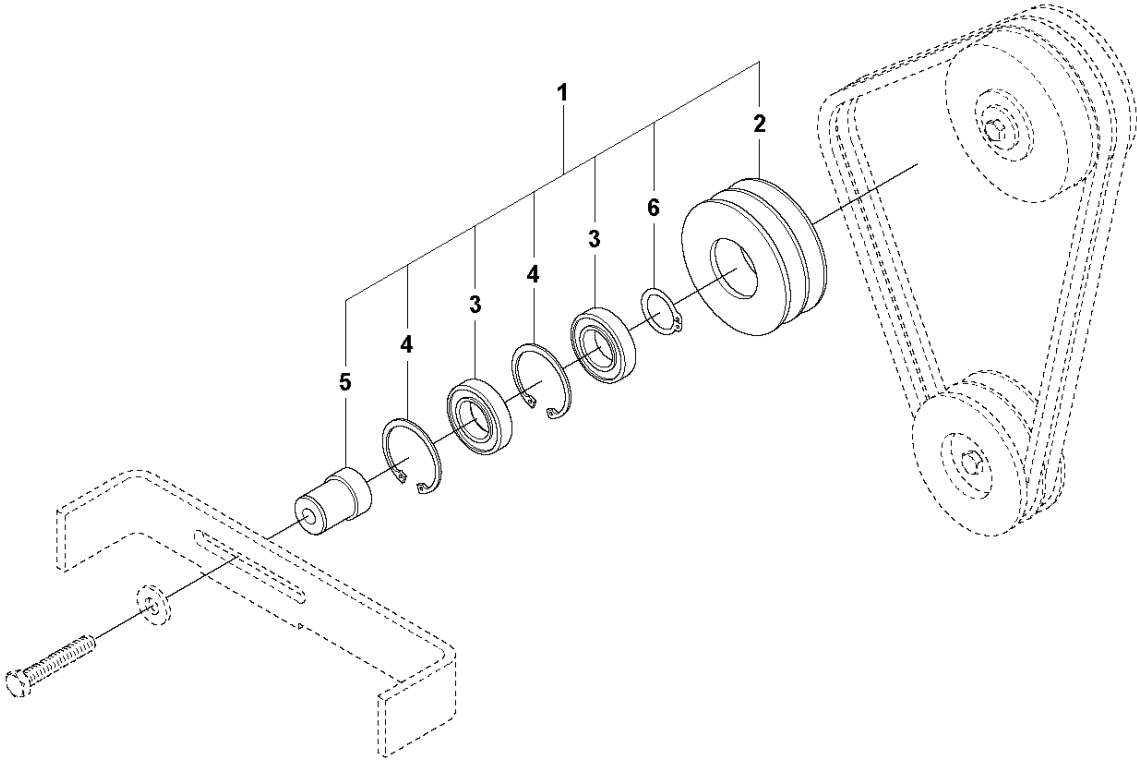
**K** LG 400  
CENTRIFUGAL CLUTCH - LOMBARDINI



CENTRIFUGAL CLUTCH - LOMBARDINI LG 400, 967855401, 967855402, 967896401, 967896403, 2019-08

| Ref | Part No      | Description        | Remark | QTY KIT |
|-----|--------------|--------------------|--------|---------|
| 1   | 594 64 56-01 | CENTRIFUGAL CLUTCH |        | 1       |
| 2   | 594 65 79-01 | PULLEY             |        | 1       |
| 3   | 594 60 76-01 | BALL BEARING       |        | 2       |
| 4   | 595 19 30-01 | RING               |        | 1       |
| 5   | 594 55 75-01 | RETAINER RING      |        | 1       |
| 6   | 595 19 31-01 | SHIM               |        | 2       |
| 7   | 594 65 78-01 | HUB                |        | 1       |
| 8   | 594 60 78-01 | WEIGHT             |        | 2       |
| 9   | 594 29 55-01 | CLUTCH             |        | 2       |
| 10  | 594 65 77-01 | SPRING             |        | 4       |
| 11  | 594 60 79-01 | COVER              |        | 2       |
| 12  | 594 60 80-01 | RING               |        | 2       |
| 13  | 595 19 32-01 | SHIM               |        | 1       |

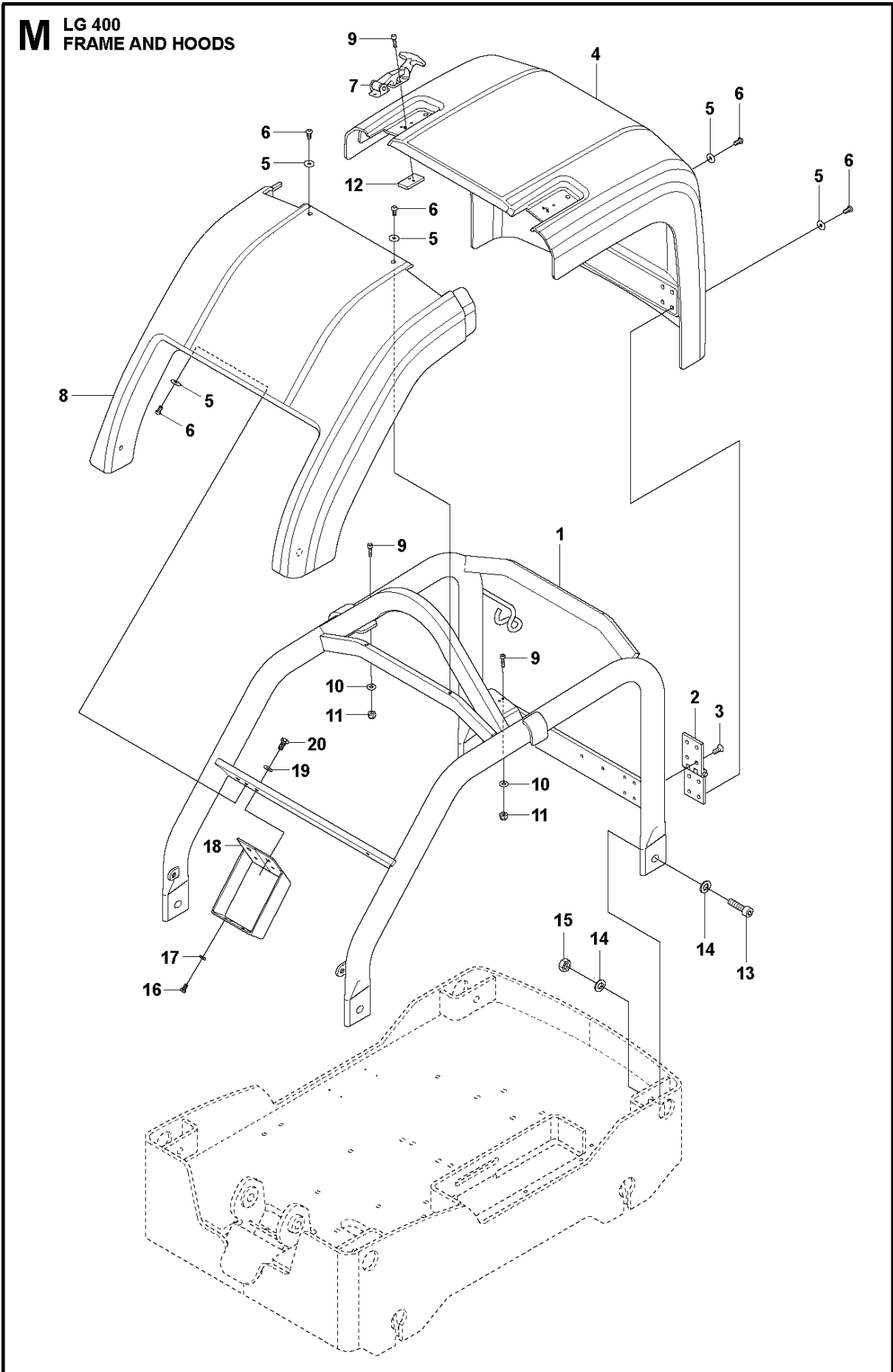
**L** LG 400  
BELT TIGHTENER



BELT TIGHTENER

LG 400, 967855401, 967855402, 967896401, 967896403, 2019-08

| Ref | Part No      | Description  | Remark | QTY | KIT |
|-----|--------------|--------------|--------|-----|-----|
| 1   | 595 46 50-01 | PULLER       |        | 1   |     |
| 2   | 594 44 01-01 | BELT         |        | 1   | 1   |
| 3   | 594 25 91-01 | BALL BEARING |        | 2   | 1   |
| 4   | 595 04 61-01 | SNAP RING    |        | 2   | 1   |
| 5   | 594 49 10-01 | SHAFT        |        | 1   | 1   |
| 6   | 595 04 55-01 | SNAP RING    |        | 1   | 1   |

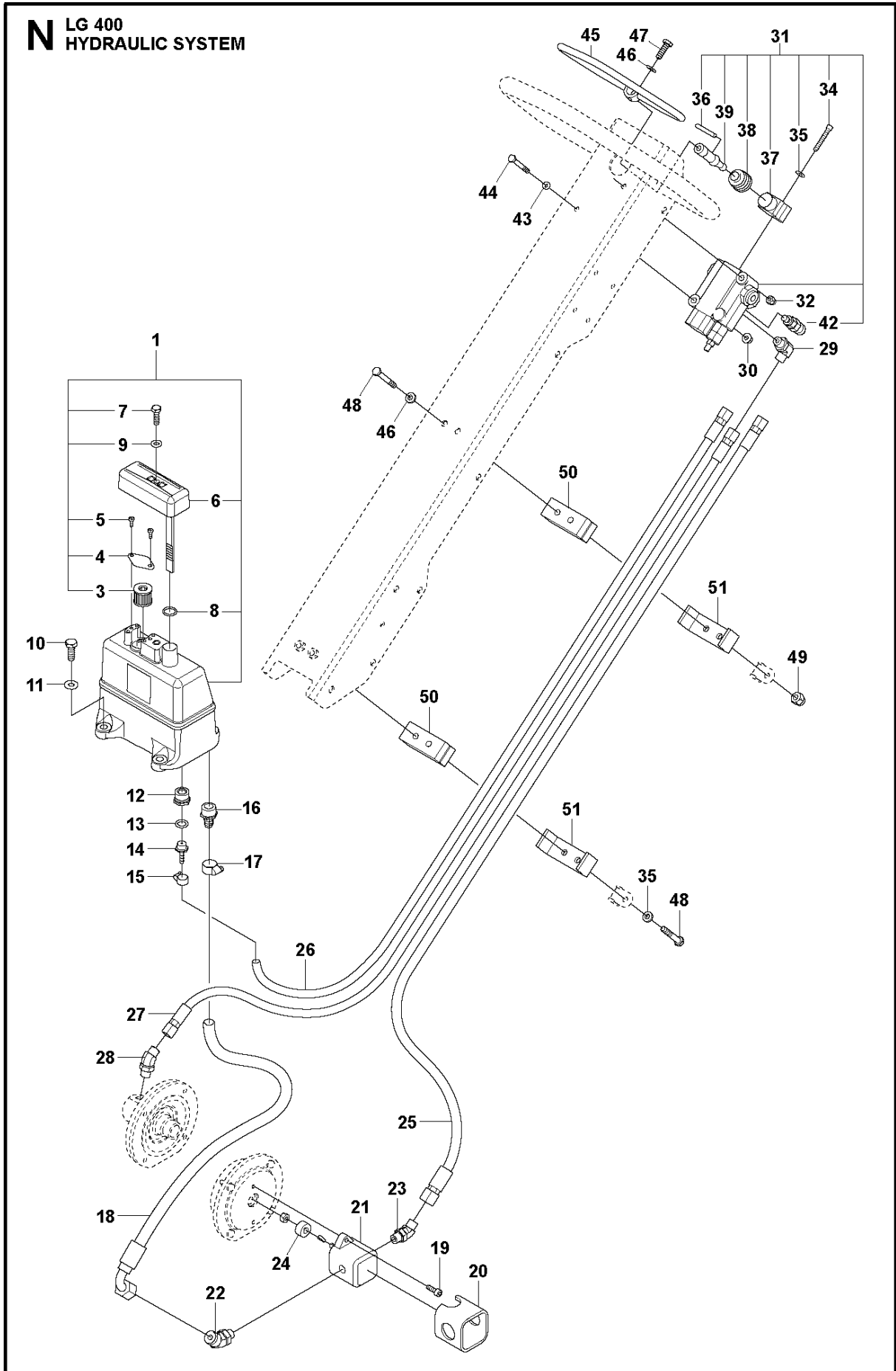




## FRAME &amp; HOODS

LG 400, 967855401, 967855402, 967896401, 967896403, 2019-08

| Ref | Part No      | Description  | Remark                                              | QTY KIT |
|-----|--------------|--------------|-----------------------------------------------------|---------|
| 1   | 594 14 26-01 | FRAME        |                                                     | 1       |
| 2   | 594 44 68-01 | HINGE        |                                                     | 2       |
| 3   | 594 53 49-01 | SCREW        | M6 x 16 mm A2-70                                    | 8       |
| 4   | 594 95 78-01 | COVER        |                                                     | 1       |
| 5   | 594 53 51-01 | WASHER       | 6 x 18 x 2 mm, 0.24 x 0.71<br>x 0.08 in. 300 HV     | 12      |
| 6   | 595 06 77-01 | SCREW        | M06X12                                              | 12      |
| 7   | 594 19 20-01 | LATCH        |                                                     | 2       |
| 8   | 594 95 79-01 | COVER        |                                                     | 1       |
| 9   | 595 11 08-01 | SCREW        | M4 x 16 mm 8.8 A2K                                  | 8       |
| 10  | 595 11 32-01 | WASHER       | M04 4,3x9x0,8 200-300 HV                            | 4       |
| 11  | 595 35 19-01 | LOCK NUT     | M4 ISO7040                                          | 4       |
| 12  | 594 19 16-01 | STOP         |                                                     | 2       |
| 13  | 594 83 84-01 | SCREW        | M12 x 45 mm 12.9<br>GEOMET®                         | 1       |
| 14  | 595 11 28-01 | WASHER       | 13 x 30 x 4 mm, 0.51 x<br>1.18 x 0.16 in. 300 HV    | 8       |
| 15  | 594 54 86-01 | NUT          | M12                                                 | 4       |
| 16  | 597 44 75-01 | SCREW        | M5 x 10 mm 8.8 A2K                                  | 4       |
| 17  | 594 12 38-01 | PLANE WASHER | 5.3 x 10 x 1 mm, 0.21 x<br>0.39 x 0.04 in. 300 HV   | 4       |
| 18  | 594 49 09-01 | BRACKET      | Bracket                                             | 1       |
| 19  | 595 03 66-01 | WASHER       | 8.4 x 16 x 1.5 mm, 0.33 x<br>0.63 x 0.06 in. 300 HV | 2       |
| 20  | 595 11 01-01 | SCREW        | M8 x 16 mm 8.8 A2K                                  | 2       |

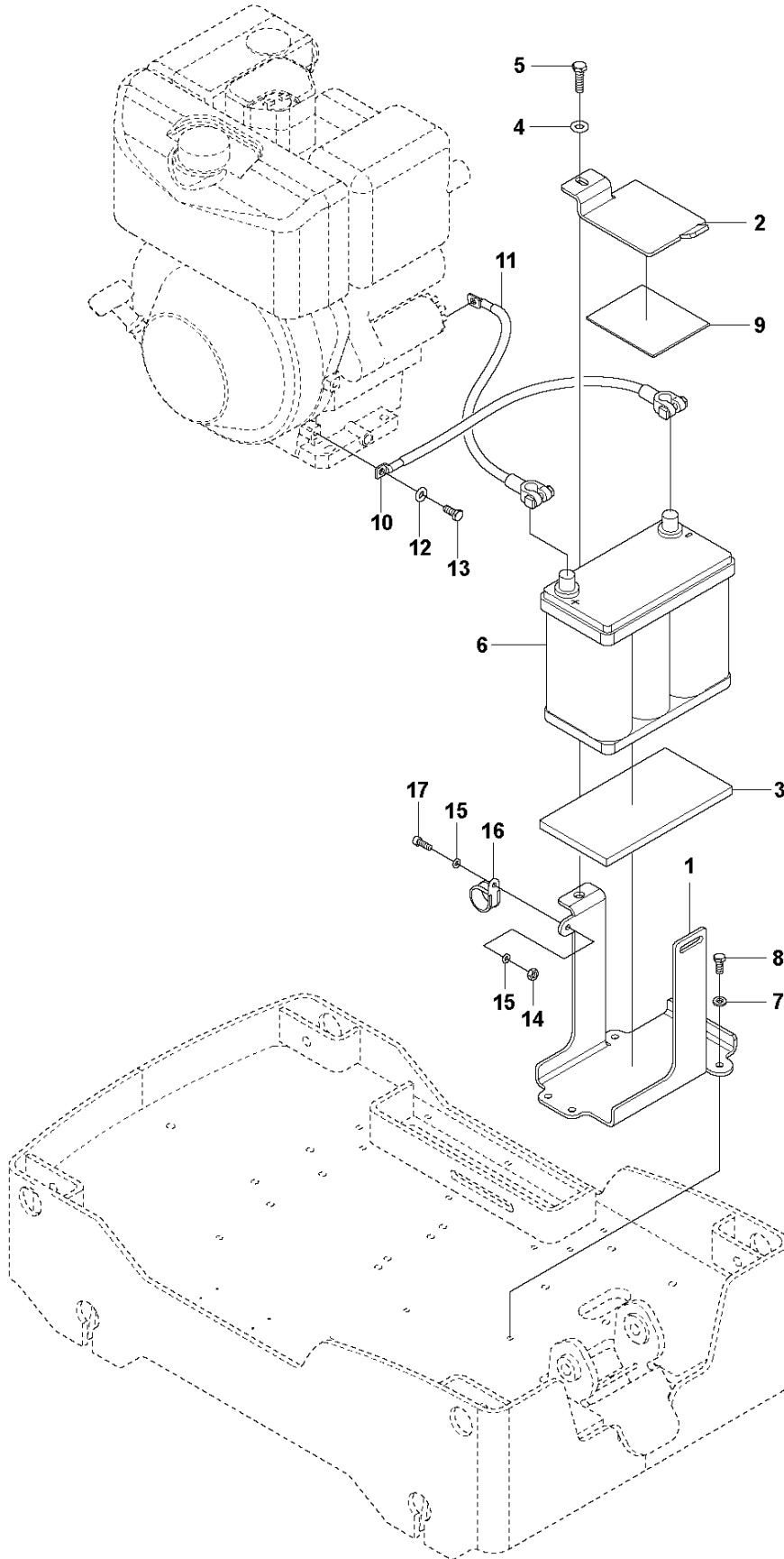


## HYDRAULIC SYSTEM

LG 400, 967855401, 967855402, 967896401, 967896403, 2019-08

| Ref | Part No      | Description      | Remark                                              | QTY KIT |    |
|-----|--------------|------------------|-----------------------------------------------------|---------|----|
| 1   | 594 42 63-01 | HYDRAULIC TANK   |                                                     | 1       |    |
| 3   | 594 44 55-01 | AIR FILTER       |                                                     | 1       | 1  |
| 4   | 594 44 54-01 | FILTER HOLDER    |                                                     | 1       | 1  |
| 5   | 594 83 88-01 | SCREW            | K50 x 12 mm Type KX-PT                              | 2       | 1  |
| 6   | 594 44 31-01 | COVER            |                                                     | 1       | 1  |
| 7   | 595 03 34-01 | SCREW            | M8 x 25 mm 8.8 A2K                                  | 1       | 1  |
| 8   | 595 04 73-01 | O-RING           |                                                     | 1       | 1  |
| 9   | 594 12 34-01 | WASHER           | 8.4 x 16 x 1.5 mm, 0.33 x 0.63 x 0.06 in. 300 HV    | 1       | 1  |
| 10  | 595 05 44-01 | SCREW            | M10x30                                              | 4       |    |
| 11  | 594 74 74-01 | WASHER           | 10.5 x 22 x 2 mm, 0.41 x 0.87 x 0.08 in. 300 HV     | 4       |    |
| 12  | 595 05 21-01 | RING             |                                                     | 1       |    |
| 13  | 595 05 33-01 | RING             | 13.3 x 18.9 x 1.5 mm, 0.52 x 0.74 x 0.06 in. Copper | 1       |    |
| 14  | 594 45 39-01 | HOSE CONNECTOR   |                                                     | 1       |    |
| 15  | 595 16 07-01 | HOSE CLAMP       |                                                     | 1       |    |
| 16  | 594 45 33-01 | NIPPLE           |                                                     | 1       |    |
| 17  | 595 45 47-01 | CLAMP            |                                                     | 1       |    |
| 18  | 594 43 08-01 | HYDRAULIC HOSE   |                                                     | 1       |    |
| 19  | 595 03 43-01 | SCREW            | M6 x 20 mm 8.8 A2K                                  | 2       |    |
| 20  | 594 32 43-01 | PROTECTIVE COVER |                                                     | 1       |    |
| 21  | 594 45 53-01 | PUMP             |                                                     | 1       |    |
| 22  | 594 52 37-01 | ELBOW            |                                                     | 1       |    |
| 23  | 595 06 33-01 | ELBOW            |                                                     | 1       |    |
| 24  | 594 54 89-01 | GEAR             |                                                     | 1       |    |
| 25  | 594 61 40-01 | HYDRAULIC HOSE   |                                                     | 1       |    |
| 26  | 594 48 76-01 | HYDRAULIC HOSE   |                                                     | 1       |    |
| 27  | 594 61 41-01 | HYDRAULIC HOSE   |                                                     | 1       |    |
| 28  | 595 06 33-01 | ELBOW            |                                                     | 1       |    |
| 29  | 594 51 86-01 | ADAPTER          |                                                     | 3       |    |
| 30  | 595 11 26-01 | NUT              | M6 x 1 mm A2K                                       | 2       |    |
| 31  | 594 33 32-01 | VALVE            |                                                     | 1       |    |
| 32  | 595 03 60-01 | LOCK NUT         | M6 - 8 FZB                                          | 1       |    |
| 34  | 594 20 90-01 | SCREW            |                                                     | 2       | 31 |
| 35  | 594 20 91-01 | WASHER           |                                                     | 4       | 31 |
| 36  | 594 20 87-01 | PIN              |                                                     | 1       | 31 |
| 37  | 594 20 86-01 | LEVER            |                                                     | 1       | 31 |
| 38  | 594 20 89-01 | COVER            |                                                     | 1       | 31 |
| 39  | 594 20 88-01 | LEVER            |                                                     | 1       | 31 |
| 42  | 594 20 96-01 | NIPPLE           |                                                     | 1       | 31 |
| 43  | 595 03 65-01 | WASHER           | 6.4 x 12 x 1.5 mm, 0.25 x 0.47 x 0.06 in. 300 HV    | 4       |    |
| 44  | 595 05 58-01 | SCREW            | M6 x 50 mm 8.8 A2K                                  | 2       |    |
| 45  | 594 64 26-01 | CONTROL LEVER    |                                                     | 1       |    |
| 46  | 595 03 66-01 | WASHER           | 8.4 x 16 x 1.5 mm, 0.33 x 0.63 x 0.06 in. 300 HV    | 5       |    |
| 47  | 595 03 34-01 | SCREW            | M8 x 25 mm 8.8 A2K                                  | 1       |    |
| 48  | 595 28 71-01 | SCREW            | M8 x 50 mm 8.8 A2K                                  | 4       |    |
| 49  | 595 03 66-01 | WASHER           | M8                                                  | 2       |    |
| 50  | 594 32 40-01 | BLOCK            |                                                     | 2       |    |
| 51  | 594 14 74-01 | BRACKET          |                                                     | 2       |    |

**P** LG 400  
BATTERY INSTALLATION

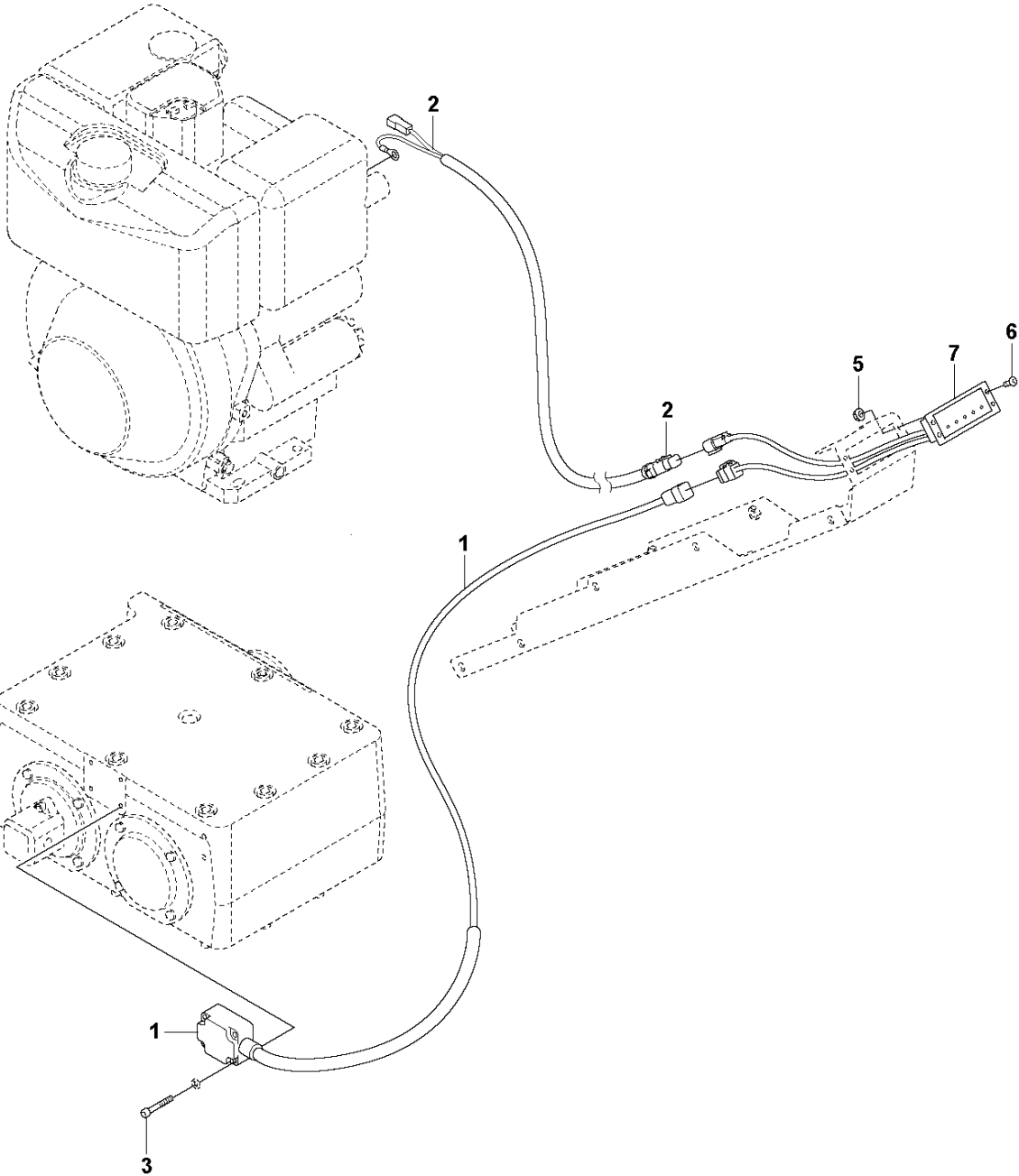


## BATTERY

LG 400, 967855401, 967855402, 967896401, 967896403, 2019-08

| Ref | Part No      | Description | Remark                                              | QTY KIT |
|-----|--------------|-------------|-----------------------------------------------------|---------|
| 1   | 594 48 93-01 | HOLDER      |                                                     | 1       |
| 2   | 594 48 92-01 | BRACKET     |                                                     | 1       |
| 3   | 594 48 90-01 | INSULATION  |                                                     | 1       |
| 4   | 594 74 74-01 | WASHER      | 10.5 x 22 x 2 mm, 0.41 x<br>0.87 x 0.08 in. 300 HV  | 1       |
| 5   | 594 11 85-01 | BOLT        | M10 x 30 mm 8.8 A3K                                 | 1       |
| 6   | 594 43 35-01 | BATTERY     |                                                     | 1       |
| 7   | 595 03 66-01 | WASHER      | 8.4 x 16 x 3 mm, 0.33 x<br>0.63 x 0.12 in. 300 HV   | 4       |
| 8   | 594 11 79-01 | SCREW       | M8 x 20 mm 8.8 A2K                                  | 4       |
| 9   | 594 48 94-01 | SHROUD      |                                                     | 1       |
| 10  | 595 18 49-01 | CABLE       |                                                     | 1       |
| 11  | 594 83 70-01 | CABLE       |                                                     | 1       |
| 12  | 595 03 66-01 | WASHER      | 8.4 x 16 x 1.5 mm, 0.33 x<br>0.63 x 0.06 in. 300 HV | 1       |
| 13  | 594 11 79-01 | SCREW       | M8 x 16 mm 8.8 A2K                                  | 1       |
| 14  | 595 11 26-01 | NUT         | M8 A2K                                              | 1       |
| 15  | 595 03 65-01 | WASHER      | 6.4 x 12 x 1.5 mm, 0.25 x<br>0.47 x 0.06 in. 300 HV | 2       |
| 16  | 595 46 96-01 | CLAMP       |                                                     | 1       |
| 17  | 595 34 80-01 | SCREW       | M6 x 16 mm 8.8 A2K                                  | 1       |

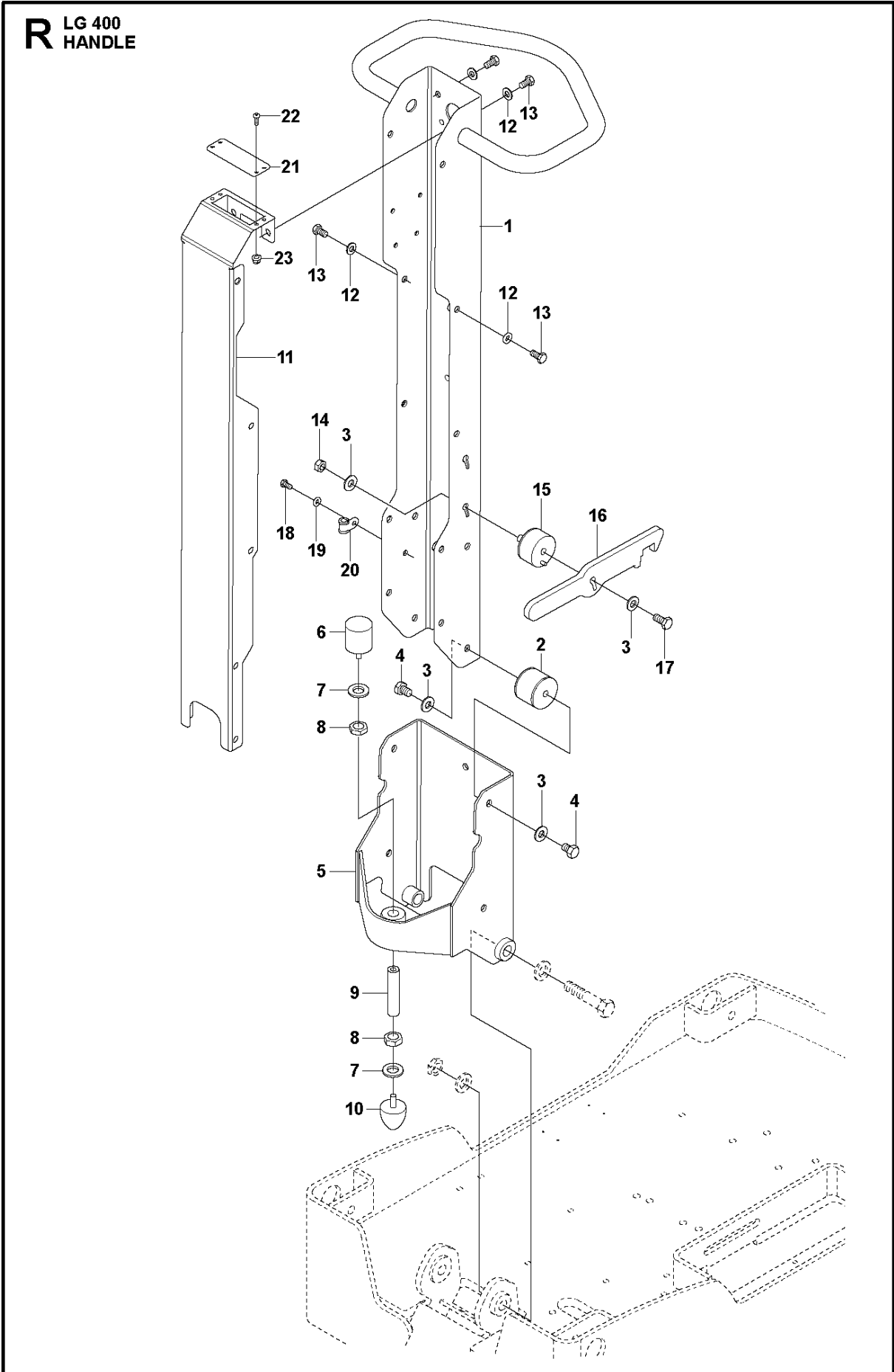
**Q** LG 400  
COMPACTION INDICATOR



COMPACTION INDICATOR

LG 400, 967855401, 967855402, 967896401, 967896403, 2019-08

| Ref | Part No      | Description | Remark             | QTY KIT |
|-----|--------------|-------------|--------------------|---------|
| 1   | 594 64 84-01 | UNIT        |                    | 1       |
| 2   | 594 64 83-01 | HARNES      |                    | 1       |
| 3   | 595 11 12-01 | SCREW       | M6 x 40 mm 8.8 A2K | 4       |
| 5   | 595 35 24-01 | NUT         | M5 A2K             | 4       |
| 6   | 594 53 57-01 | SCREW       | M5 x 14 A2-70      | 4       |
| 7   | 594 17 67-01 | INDICATOR   |                    | 1       |



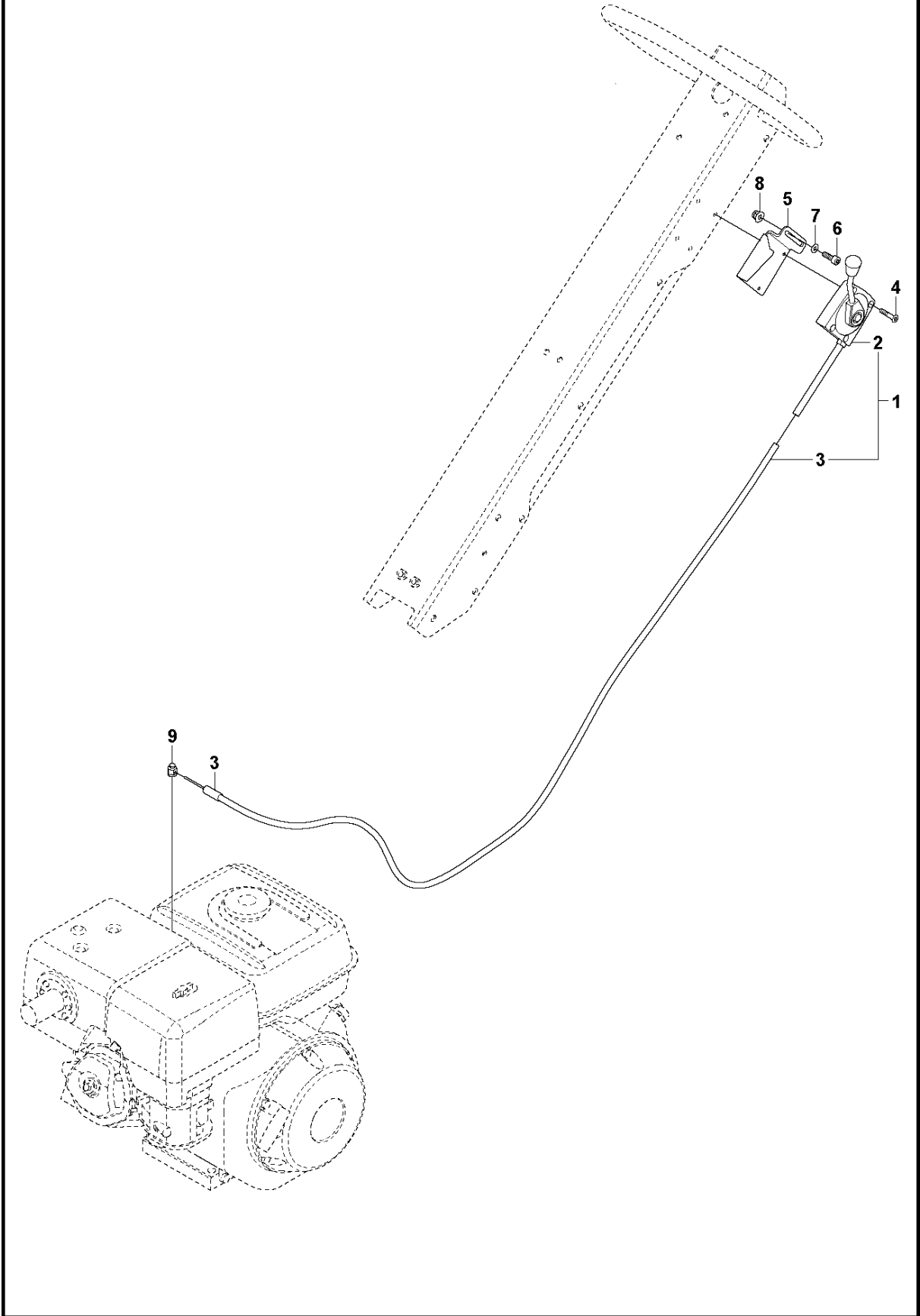


## HANDLE

LG 400, 967855401, 967855402, 967896401, 967896403, 2019-08

| Ref | Part No      | Description | Remark                                              | QTY KIT |
|-----|--------------|-------------|-----------------------------------------------------|---------|
| 1   | 594 14 29-01 | HANDLE      |                                                     | 1       |
| 2   | 594 14 75-01 | ABSORBER    |                                                     | 4       |
| 3   | 594 74 74-01 | WASHER      | 10.5 x 22 x 2 mm, 0.41 x<br>0.87 x 0.08 in. 300 HV  | 10      |
| 4   | 594 11 83-01 | CAP         | M10 x 14 mm 8.8 A3K                                 | 8       |
| 5   | 595 11 94-01 | BRACKET     |                                                     | 1       |
| 6   | 594 52 72-01 | ABSORBER    |                                                     | 1       |
| 7   | 595 03 67-01 | WASHER      | 17 x 30 x 3 mm, 0.70 x<br>1.18 x 0.12 in. 300 HV    | 2       |
| 8   | 595 05 97-01 | NUT         | M16 A3K                                             | 2       |
| 9   | 594 49 24-01 | STUD        |                                                     | 1       |
| 10  | 594 52 72-01 | ABSORBER    |                                                     | 1       |
| 11  | 594 64 86-01 | COVER       |                                                     | 1       |
| 12  | 595 03 66-01 | WASHER      | 8.4 x 16 x 1.5 mm, 0.33 x<br>0.63 x 0.06 in. 300 HV | 12      |
| 13  | 595 11 01-01 | SCREW       | M8 x 16 mm 8.8 A2K                                  | 12      |
| 14  | 595 02 94-01 | NUT         | M10 A3K                                             | 1       |
| 15  | 594 46 27-01 | ABSORBER    |                                                     | 1       |
| 16  | 594 43 41-01 | HOOK        |                                                     | 1       |
| 17  | 594 11 84-01 | SCREW       | M10 x 20 mm 8.8 A3K                                 | 1       |
| 18  | 595 03 32-01 | SCREW       |                                                     | 1       |
| 19  | 595 03 65-01 | WASHER      | 6.4 x 12 x 1.5 mm, 0.25 x<br>0.47 x 0.06 in. 300 HV | 1       |
| 20  | 595 18 87-01 | CLAMP       |                                                     | 1       |
| 21  | 594 64 71-01 | COVER       |                                                     | 1       |
| 22  | 594 53 57-01 | SCREW       | M5 x 14 A2-70                                       | 4       |
| 23  | 595 35 24-01 | NUT         | M5 A2K                                              | 1       |

**S** LG 400  
THROTTLE CONTROL - HONDA



THROTTLE CONTROL - HONDA LG 400, 967855401, 967855402, 967896401, 967896403, 2019-08

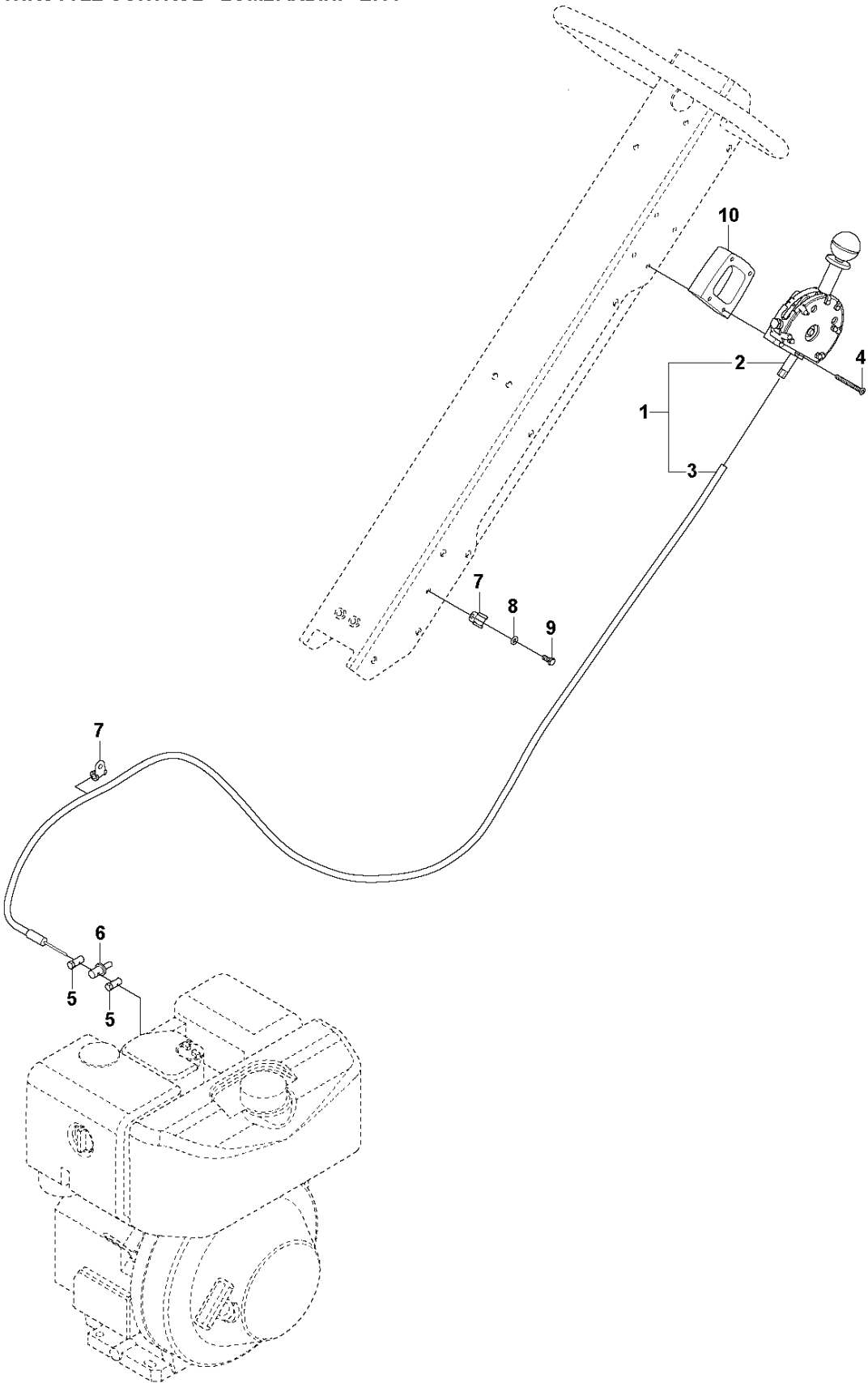
| Ref | Part No      | Description      | Remark                                              | QTY KIT |
|-----|--------------|------------------|-----------------------------------------------------|---------|
| 1   | 594 64 62-01 | THROTTLE CONTROL |                                                     | 1       |
| 2   | 594 49 07-01 | LEVER            |                                                     | 1       |
| 3   | 594 64 63-01 | CABLE            |                                                     | 1       |
| 4   | 594 74 71-01 | SCREW            | M5 x 30 mm A2-70                                    | 4       |
| 5   | 594 64 51-01 | BRACKET          |                                                     | 1       |
| 6   | 595 03 42-01 | SCREW            | M6 x 16 mm 8.8 A2K                                  | 1       |
| 7   | 595 03 65-01 | WASHER           | 6.4 x 12 x 1.5 mm, 0.25 x<br>0.47 x 0.06 in. 300 HV | 1       |
| 8   | 595 11 26-01 | NUT              | M6 x 1 mm A2K                                       | 1       |
| 9   | 594 64 69-01 | HOLDER           |                                                     | 1       |



THROTTLE CONTROL - LOMBARDINI - NON EPA LG 400, 967855401, 967855402, 967896401, 967896403, 2019-08

| Ref | Part No      | Description      | Remark                                           | QTY | KIT |
|-----|--------------|------------------|--------------------------------------------------|-----|-----|
| 1   | 594 64 64-01 | THROTTLE CONTROL |                                                  | 1   |     |
| 2   | 594 49 07-01 | LEVER            |                                                  | 1   | 1   |
| 3   | 594 65 14-01 | CABLE            |                                                  | 1   | 1   |
| 4   | 594 74 71-01 | SCREW            | M5 x 30 mm A2-70                                 | 4   |     |
| 5   | 594 64 51-01 | BRACKET          |                                                  | 1   |     |
| 6   | 595 03 42-01 | SCREW            | M6 x 16 mm 8.8 A2K                               | 1   |     |
| 7   | 595 11 26-01 | NUT              | M6 x 1 mm A2K                                    | 2   |     |
| 8   | 594 33 12-01 | NIPPLE           |                                                  | 2   |     |
| 9   | 594 64 65-01 | NIPPLE           |                                                  | 1   |     |
| 10  | 595 03 65-01 | WASHER           | 6.4 x 12 x 1.5 mm, 0.25 x 0.47 x 0.06 in. 300 HV | 1   |     |

**U** LG 400  
THROTTLE CONTROL - LOMBARDINI - EPA

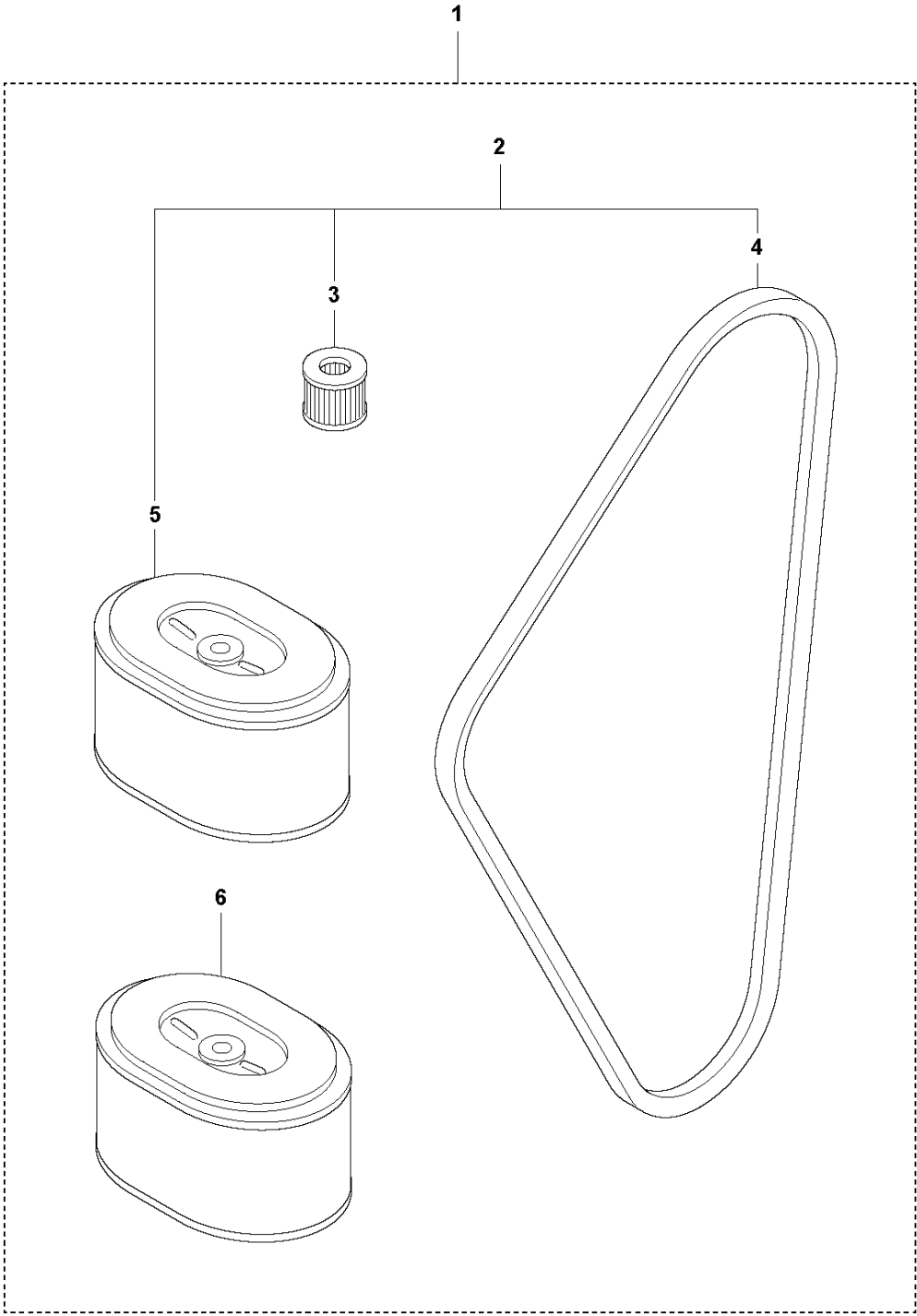


THROTTLE CONTROL - LOMBARDINI - EPA  
967896403, 2019-08

LG 400, 967855401, 967855402, 967896401,

| Ref | Part No      | Description      | Remark | QTY | KIT |
|-----|--------------|------------------|--------|-----|-----|
| 1   | 594 17 57-01 | THROTTLE CONTROL |        | 1   |     |
| 2   | 598 28 73-01 | THROTTLE CONTROL |        | 1   | 1   |
| 3   | 594 21 00-01 | THROTTLE CABLE   |        | 1   | 1   |
| 4   | 595 35 00-01 | SCREW            |        | 4   |     |
| 5   | 594 33 12-01 | NIPPLE           |        | 2   |     |
| 6   | 594 64 65-01 | NIPPLE           |        | 1   |     |
| 7   | 595 03 75-01 | CLAMP            |        | 2   |     |
| 8   | 595 03 65-01 | WASHER           |        | 1   |     |
| 9   | 595 03 32-01 | SCREW            |        | 1   |     |
| 10  | 595 37 59-01 | SPACER           |        | 1   |     |

**V** LG 400  
START UP KIT - HONDA



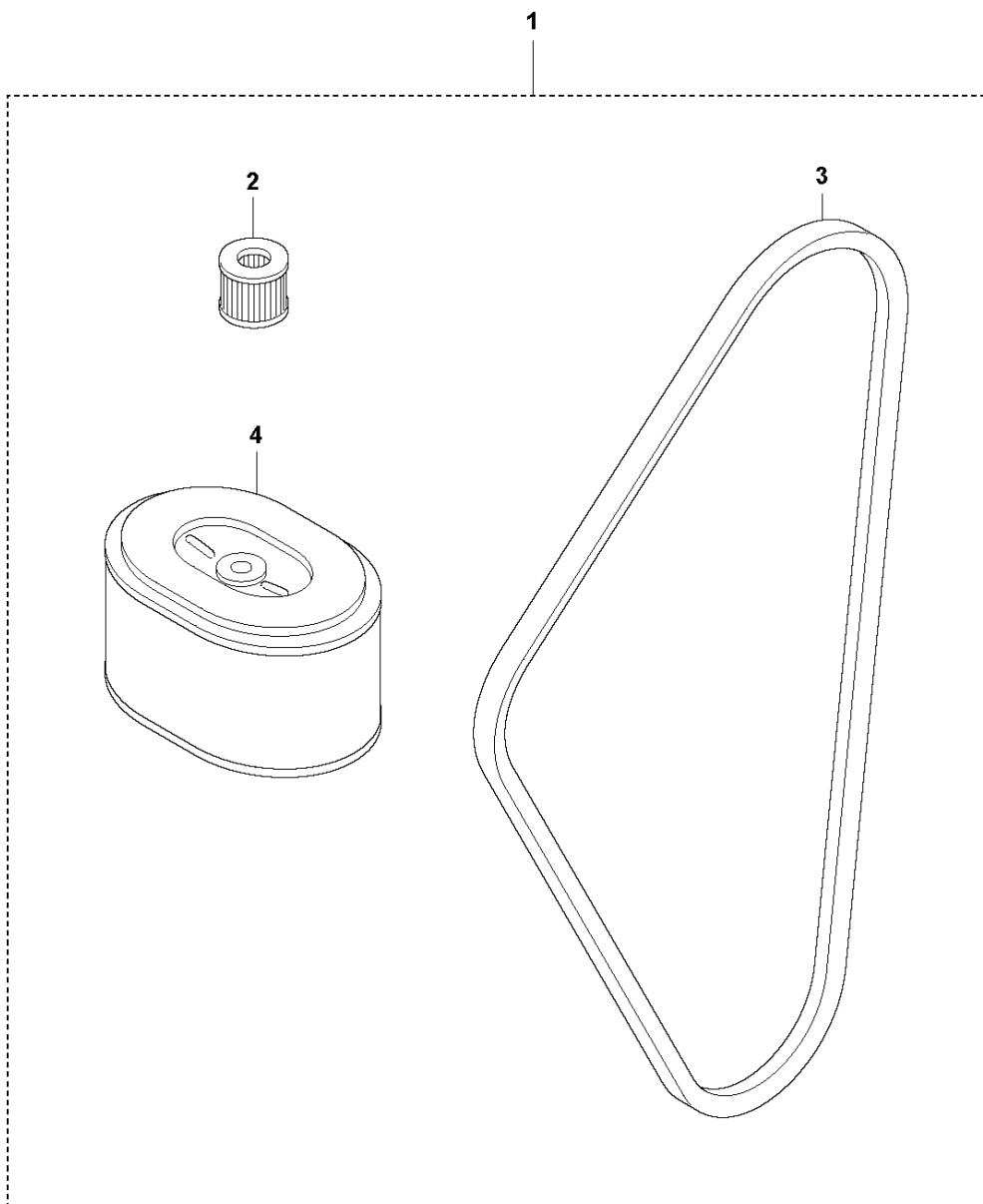


## START UP KIT - HONDA

LG 400, 967855401, 967855402, 967896401, 967896403, 2019-08

| Ref | Part No      | Description | Remark | QTY KIT |      |
|-----|--------------|-------------|--------|---------|------|
| 1   | 595 13 27-01 | SERVICE KIT |        | 1       |      |
| 2   | 595 38 42-01 | SERVICE KIT |        | 1       | 1    |
| 3   | 594 44 55-01 | AIR FILTER  |        | 1       | 1, 2 |
| 4   | 594 65 13-01 | V-BELT      |        | 2       | 1, 2 |
| 5   | 594 19 81-01 | AIR FILTER  |        | 1       | 1, 2 |
| 6   | 594 19 81-01 | AIR FILTER  |        | 1       | 1    |

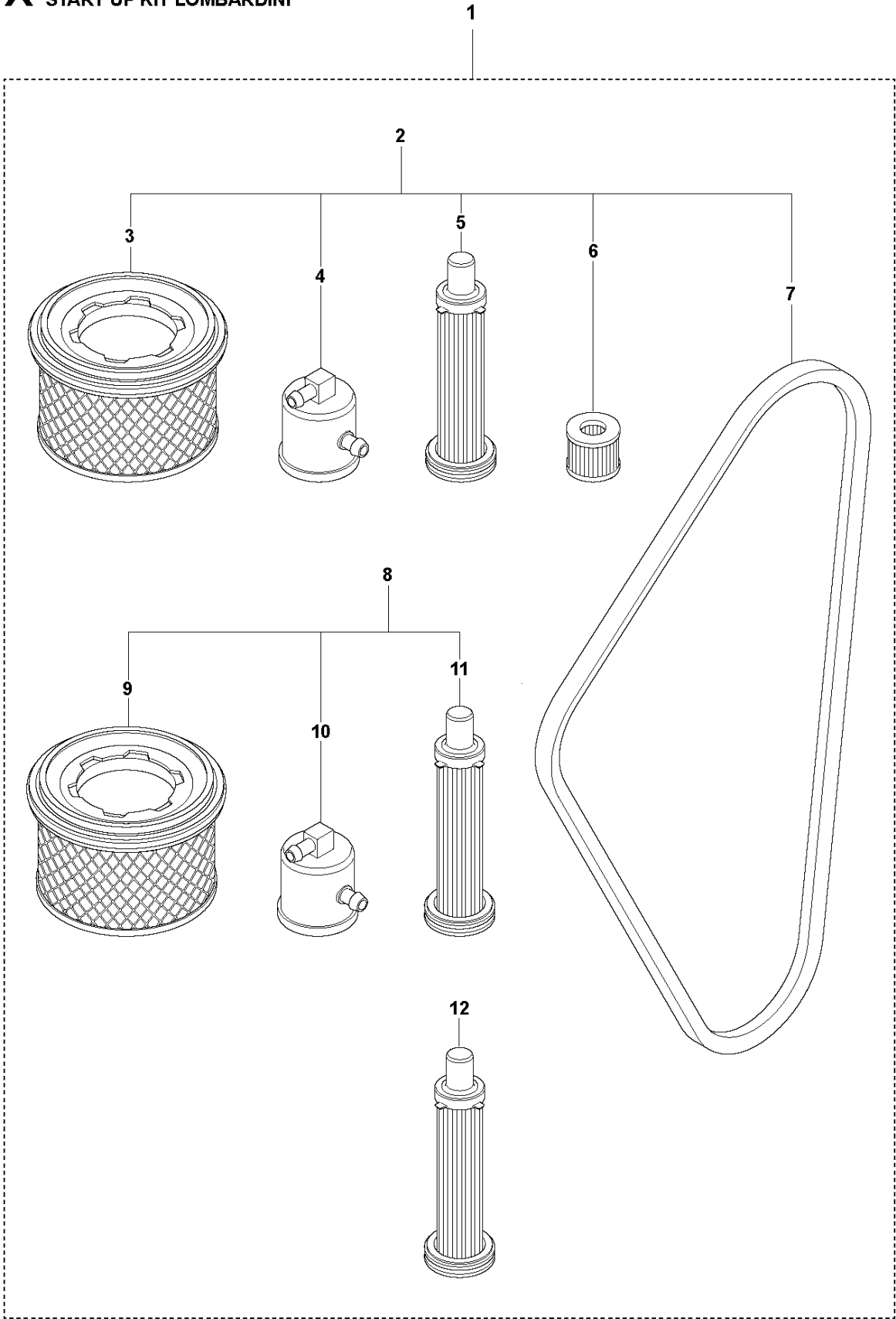
**W** LG 400  
12 MONTHS / 500 HOURS SERVICE KIT - HONDA



12 MONTHS / 500 HOURS SERVICE KIT - HONDA LG 400, 967855401, 967855402, 967896401,  
967896403, 2019-08

| Ref | Part No      | Description | Remark | QTY KIT |   |
|-----|--------------|-------------|--------|---------|---|
| 1   | 595 38 42-01 | SERVICE KIT |        | 1       |   |
| 2   | 594 44 55-01 | AIR FILTER  |        | 1       | 1 |
| 3   | 594 65 13-01 | V-BELT      |        | 2       | 1 |
| 4   | 594 19 81-01 | AIR FILTER  |        | 1       | 1 |

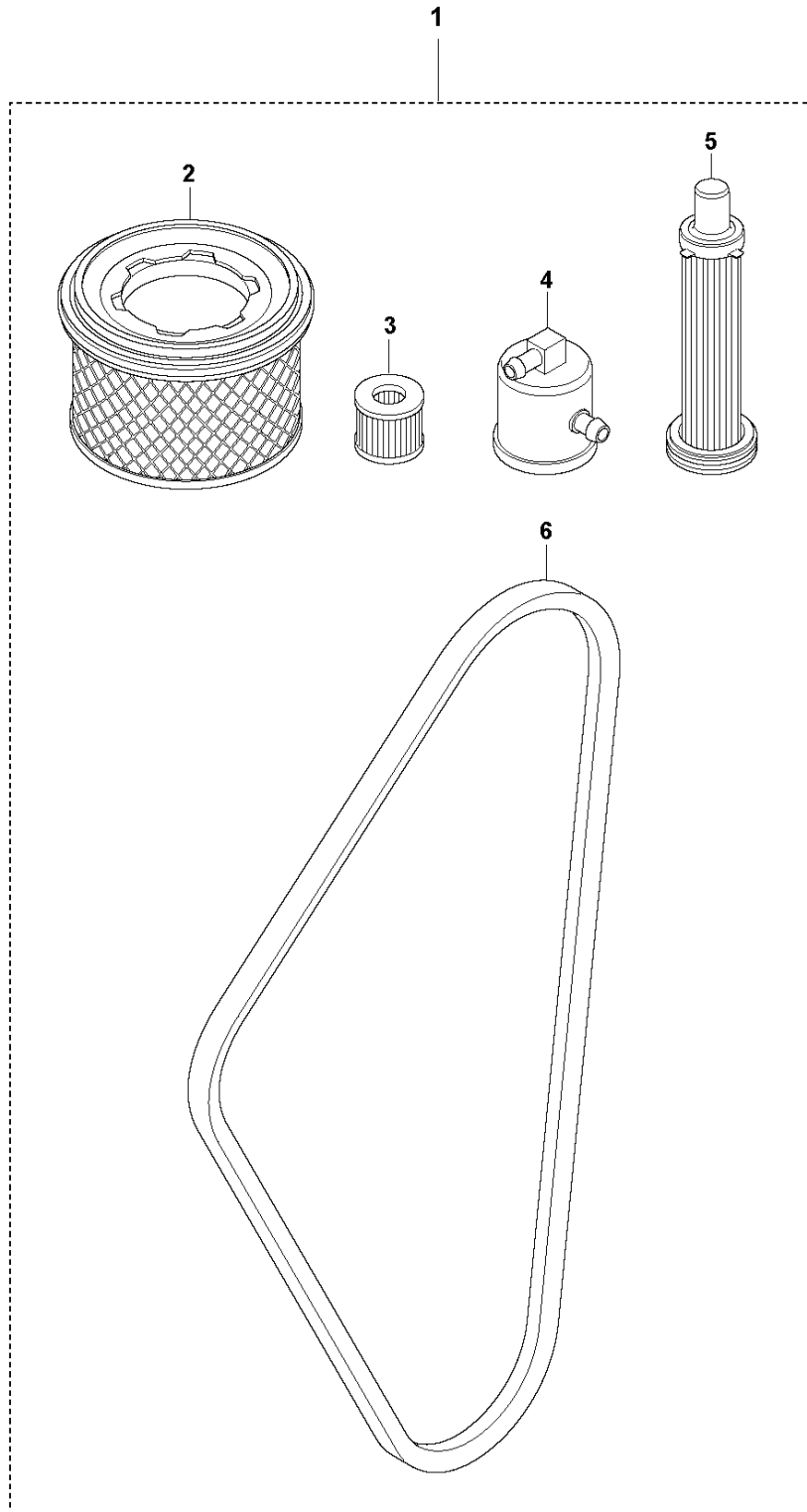
**X** LG 400  
START UP KIT LOMBARDINI



START UP KIT - LOMBARDINI LG 400, 967855401, 967855402, 967896401, 967896403, 2019-08

| Ref | Part No      | Description | Remark | QTY KIT |      |
|-----|--------------|-------------|--------|---------|------|
| 1   | 594 21 74-01 | SERVICE KIT |        | 1       |      |
| 2   | 594 21 53-01 | SERVICE KIT |        | 1       | 1    |
| 3   | 594 19 74-01 | AIR FILTER  |        | 1       | 1, 2 |
| 4   | 594 19 73-01 | FUEL FILTER |        | 1       | 1, 2 |
| 5   | 594 19 75-01 | OIL FILTER  |        | 1       | 1, 2 |
| 6   | 594 44 55-01 | AIR FILTER  |        | 1       | 1, 2 |
| 7   | 594 33 29-01 | BELT        |        | 2       | 1, 2 |
| 8   | 595 13 24-01 | SERVICE KIT |        | 1       | 1    |
| 9   | 594 19 74-01 | AIR FILTER  |        | 1       | 1, 8 |
| 10  | 594 19 73-01 | FUEL FILTER |        | 1       | 1, 8 |
| 11  | 594 19 75-01 | OIL FILTER  |        | 1       | 1, 8 |
| 12  | 594 19 75-01 | OIL FILTER  |        | 1       | 1    |

**Y** LG 400  
12 MONTHS / 500 HOURS SERVICE KIT - LOMBARDINI



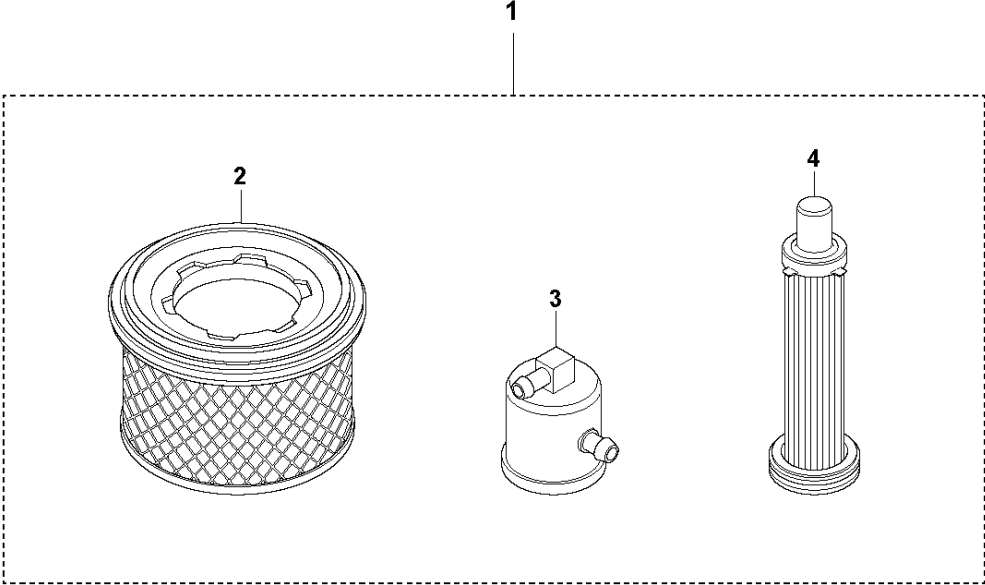
12 MONTHS / 500 HOURS SERVICE KIT - LOMBARDINI  
967896401, 967896403, 2019-08

LG 400, 967855401, 967855402,

| Ref | Part No      | Description | Remark    | QTY KIT |   |
|-----|--------------|-------------|-----------|---------|---|
| 1   | 594 21 53-01 | SERVICE KIT | 12 months | 1       |   |
| 3   | 594 44 55-01 | AIR FILTER  |           | 1       | 1 |
| 2   | 594 19 74-01 | AIR FILTER  |           | 1       | 1 |
| 4   | 594 19 73-01 | FUEL FILTER |           | 1       | 1 |
| 5   | 594 19 75-01 | OIL FILTER  | Internal  | 1       | 1 |
| 6   | 594 33 29-01 | BELT        |           | 2       | 1 |

6 MONTHS / EVERY 250 HOURS KIT - LOMBARDINI LG 400, 967855401, 967855402, 967896401, 967896403, 2019-08

**Z LG 400**  
**6 MONTHS / 250 HOURS SERVICE KIT LOMBARDINI**

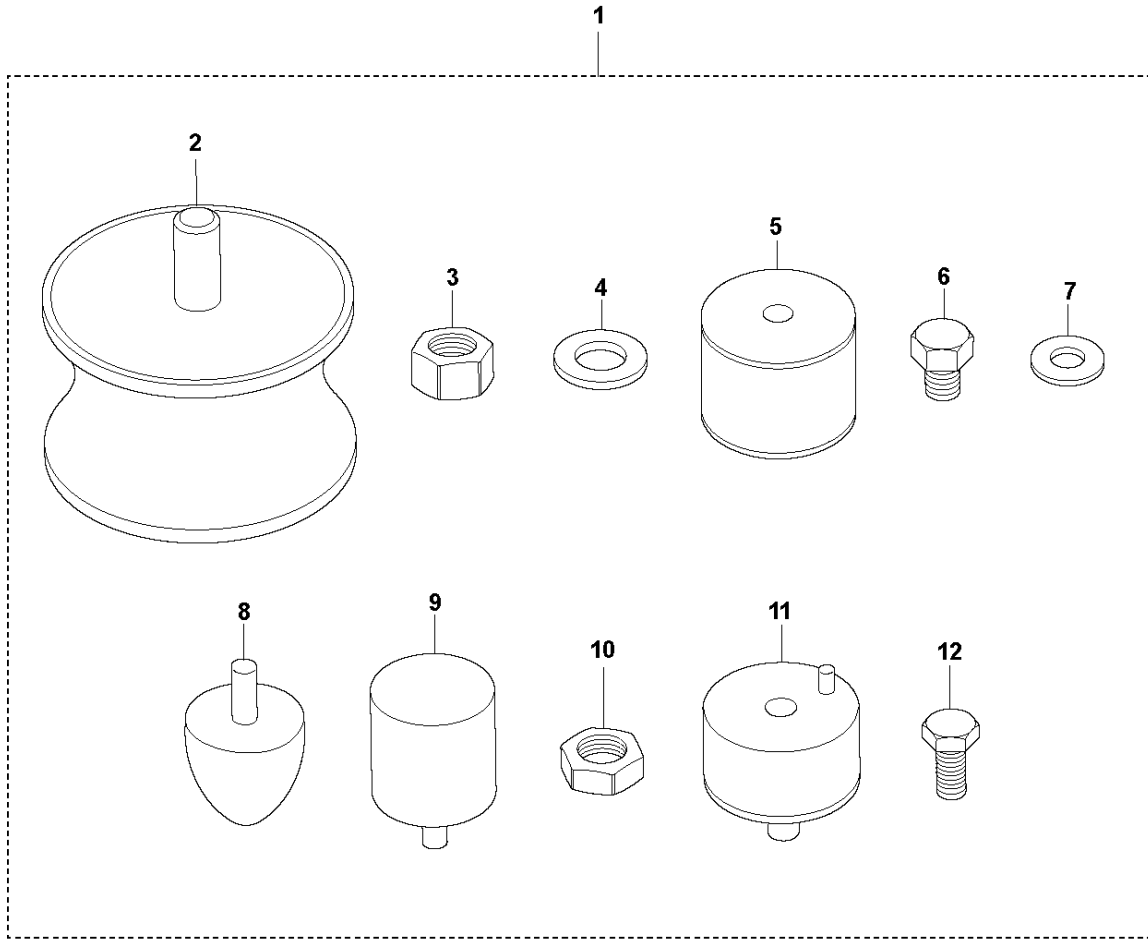




6 MONTHS / EVERY 250 HOURS KIT - LOMBARDINI LG 400, 967855401, 967855402, 967896401, 967896403, 2019-08

| Ref | Part No      | Description | Remark   | QTY KIT |   |
|-----|--------------|-------------|----------|---------|---|
| 1   | 595 13 24-01 | SERVICE KIT | 6 months | 1       |   |
| 2   | 594 19 74-01 | AIR FILTER  |          | 1       | 1 |
| 3   | 594 19 73-01 | FUEL FILTER |          | 1       | 1 |
| 4   | 594 19 75-01 | OIL FILTER  | Internal | 1       | 1 |

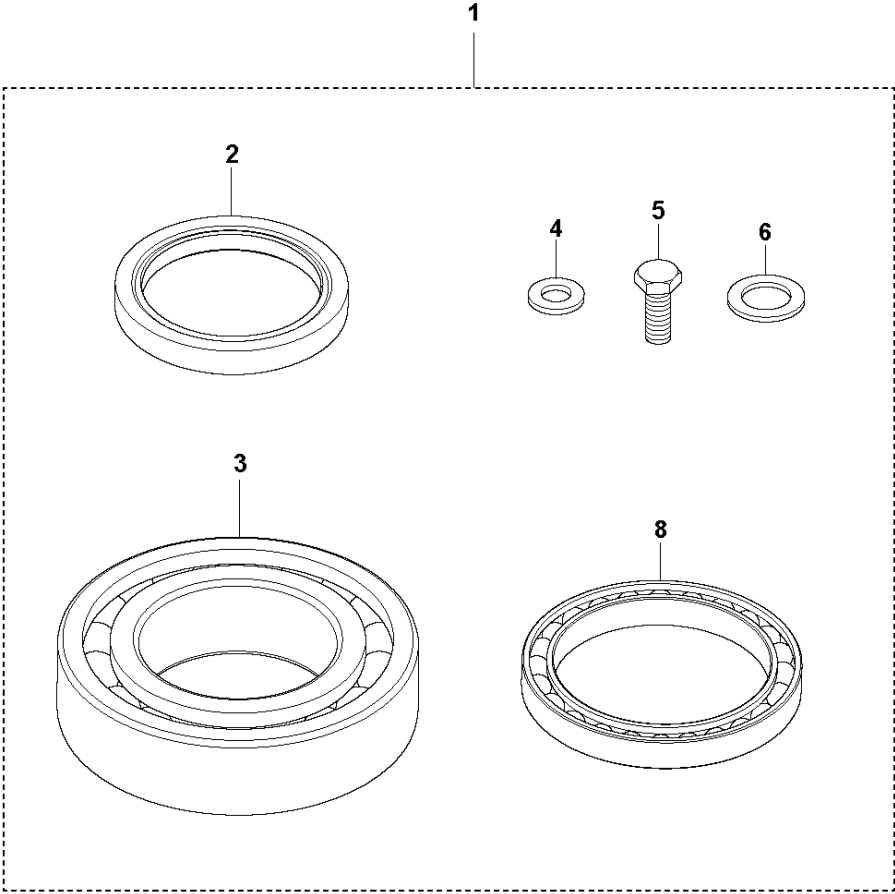
**AA** LG 400  
SHOCK ABSORBER REPAIR KIT



## SHOCK ABSORBER REPAIR KITLG 400, 967855401, 967855402, 967896401, 967896403, 2019-08

| Ref | Part No      | Description | Remark                  | QTY KIT |   |
|-----|--------------|-------------|-------------------------|---------|---|
| 1   | 594 19 63-01 | REPAIR KIT  |                         | 1       |   |
| 2   | 594 32 32-01 | ABSORBER    |                         | 4       | 1 |
| 3   | 595 03 58-01 | NUT         |                         | 8       | 1 |
| 4   | 595 03 67-01 | WASHER      |                         | 4       | 1 |
| 5   | 594 14 75-01 | ABSORBER    |                         | 4       | 1 |
| 6   | 594 11 83-01 | CAP         | M10x14 din 933 - 8.8 zn | 8       | 1 |
| 7   | 594 74 74-01 | WASHER      |                         | 10      | 1 |
| 8   | 594 52 73-01 | ABSORBER    |                         | 1       | 1 |
| 9   | 594 52 72-01 | ABSORBER    |                         | 1       | 1 |
| 10  | 595 11 22-01 | HEXAGON NUT |                         | 2       | 1 |
| 11  | 594 46 27-01 | ABSORBER    |                         | 1       | 1 |
| 12  | 594 11 84-01 | SCREW       |                         | 1       | 1 |

**AB** LG 400  
ECCENTRIC ELEMENT REPAIR KIT

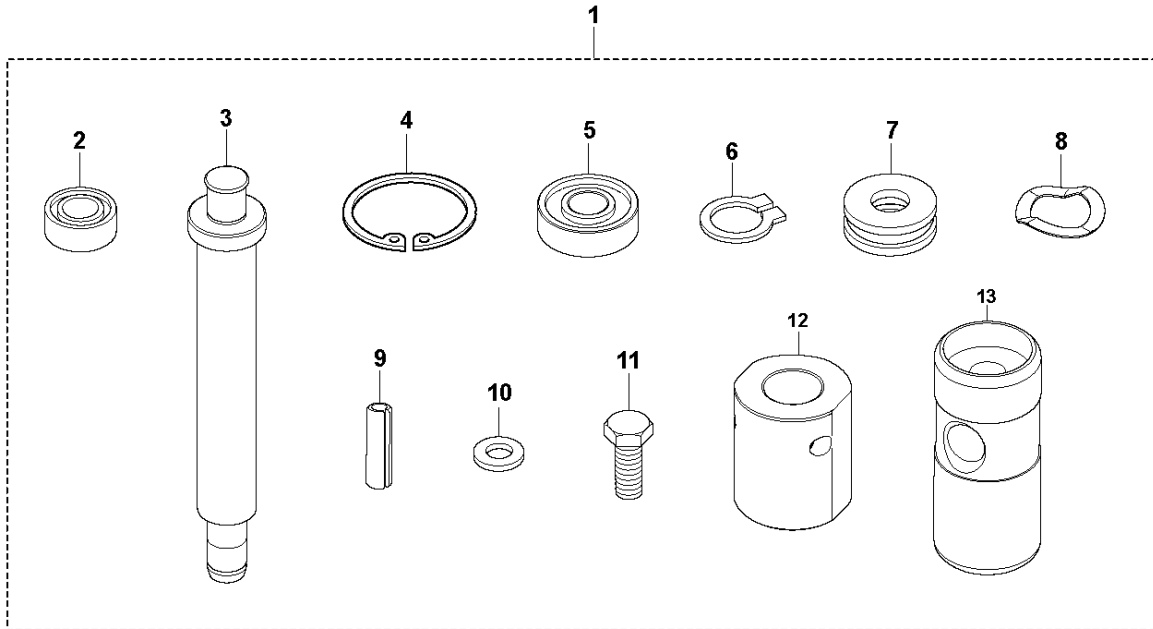


ECCENTRIC ELEMENT REPAIR KIT  
2019-08

LG 400, 967855401, 967855402, 967896401, 967896403,

| Ref | Part No      | Description    | Remark | QTY | KIT |
|-----|--------------|----------------|--------|-----|-----|
| 1   | 594 19 68-01 | REPAIR KIT     |        | 1   |     |
| 2   | 594 54 74-01 | SEALING        |        | 1   | 1   |
| 3   | 594 54 69-01 | ROLLER BEARING |        | 4   | 1   |
| 4   | 595 03 65-01 | WASHER         |        | 16  | 1   |
| 5   | 595 10 98-01 | SCREW          |        | 16  | 1   |
| 6   | 595 51 43-01 | WASHER         |        | 1   | 1   |
| 8   | 594 54 76-01 | BALL BEARING   |        | 2   | 1   |

**AC** LG 400  
FORWARD AND REVERSE PISTON REPAIR KIT

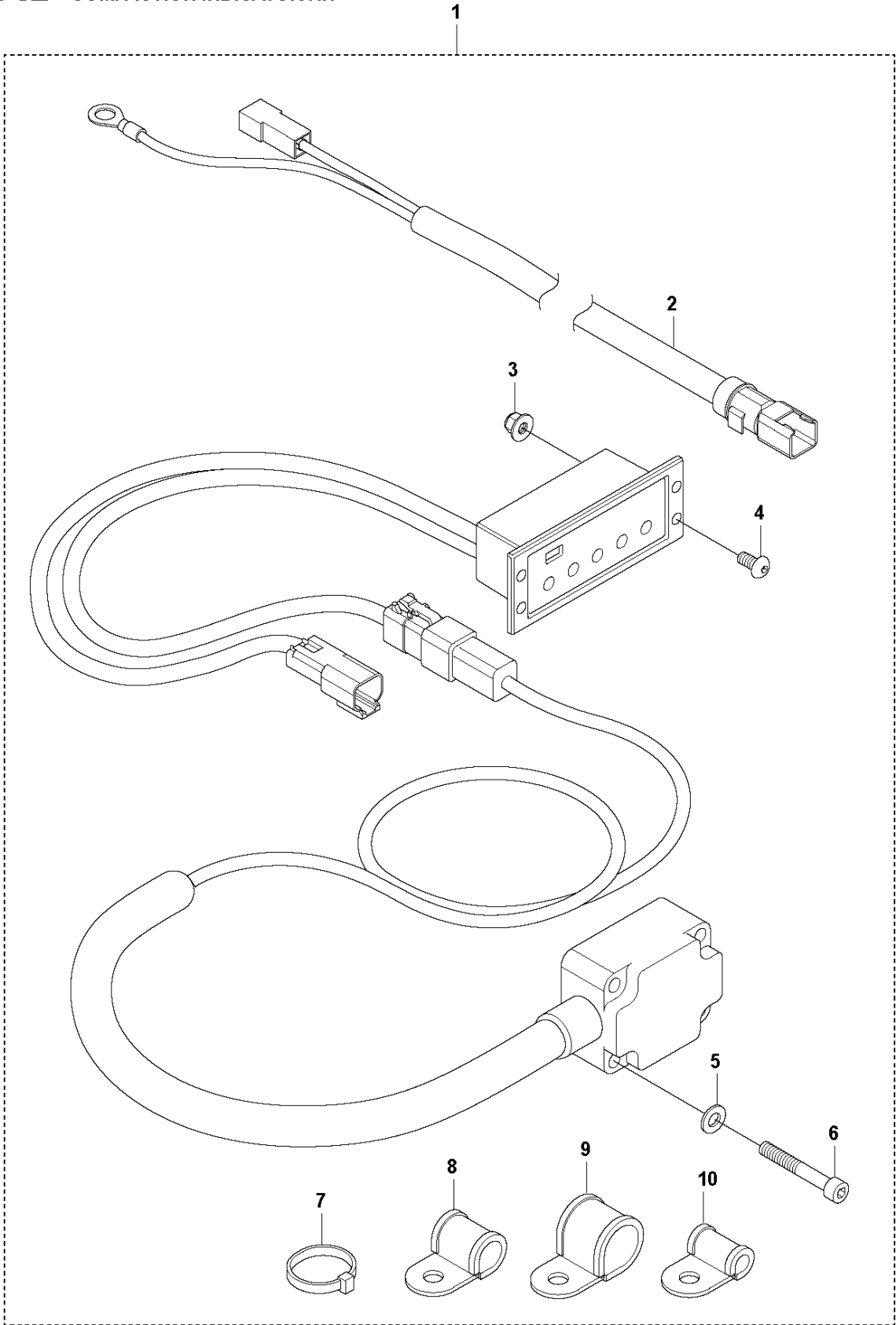


FORWARD & REVERSE PISTON REPAIR KIT  
967896403, 2019-08

LG 400, 967855401, 967855402, 967896401,

| Ref | Part No      | Description   | Remark | QTY KIT |   |
|-----|--------------|---------------|--------|---------|---|
| 1   | 594 19 66-01 | REPAIR KIT    |        | 1       |   |
| 2   | 594 33 22-01 | SEALING       |        | 1       | 1 |
| 3   | 594 18 30-01 | PISTON ROD    |        | 1       | 1 |
| 4   | 594 26 64-01 | RING          |        | 1       | 1 |
| 5   | 594 64 75-01 | BALL BEARING  |        | 1       | 1 |
| 6   | 594 26 56-01 | RING          |        | 1       | 1 |
| 7   | 594 64 76-01 | BALL BEARING  |        | 1       | 1 |
| 8   | 594 64 77-01 | SPRING WASHER |        | 1       | 1 |
| 9   | 595 06 26-01 | PIN           |        | 1       | 1 |
| 10  | 595 03 65-01 | WASHER        |        | 4       | 1 |
| 11  | 595 10 98-01 | SCREW         |        | 4       | 1 |
| 12  | 594 64 30-01 | CAP           |        | 1       | 1 |
| 13  | 594 64 34-01 | PISTON        |        | 1       | 1 |

**AD** LG 400  
COMPACTION INDICATOR KIT

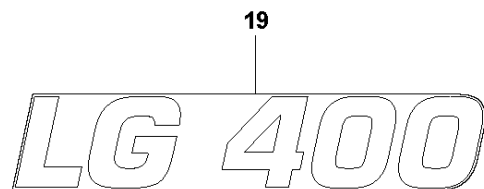
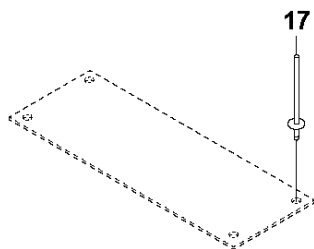
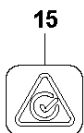
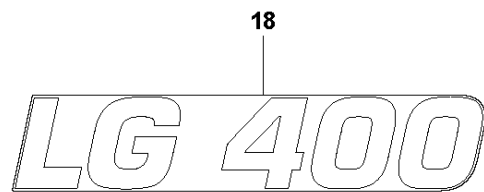
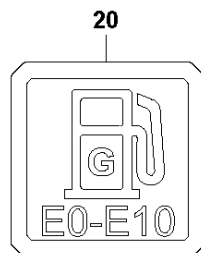
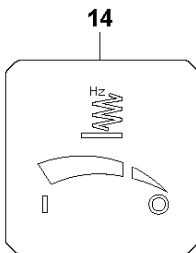
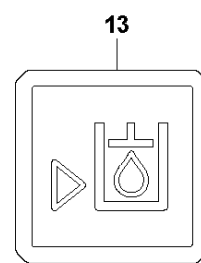
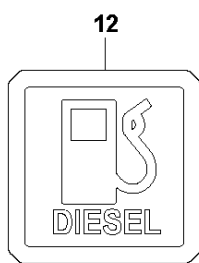
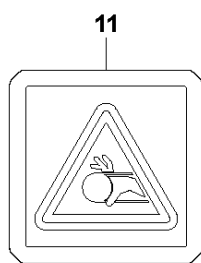
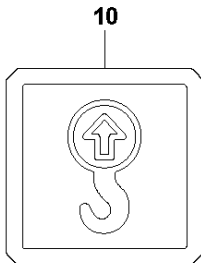
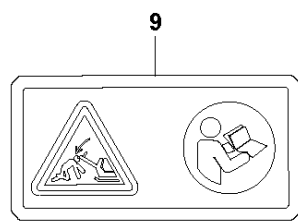
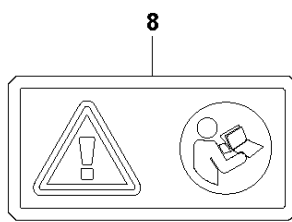
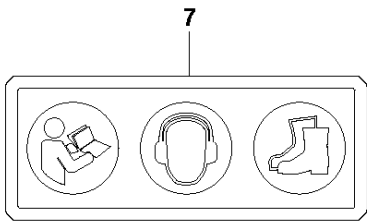
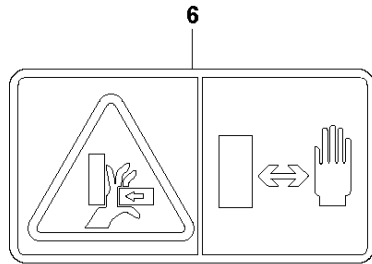
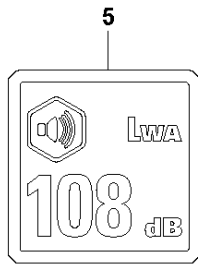
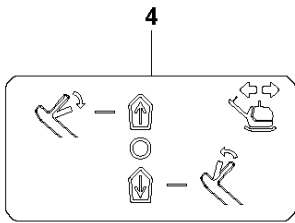
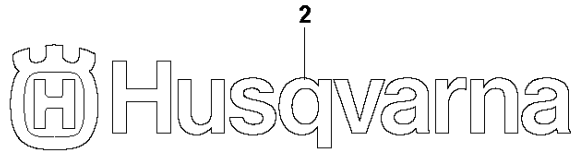
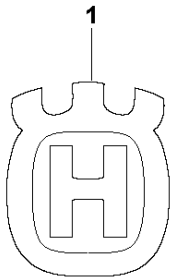




COMPACTION INDICATOR KIT LG 400, 967855401, 967855402, 967896401, 967896403, 2019-08

| Ref | Part No      | Description | Remark                    | QTY KIT |   |
|-----|--------------|-------------|---------------------------|---------|---|
| 1   | 595 52 66-01 | METER       | Complete                  | 1       |   |
| 2   | 594 64 83-01 | HARNES      |                           | 1       | 1 |
| 3   | 595 35 24-01 | NUT         | flanged M05x0,80, -8, A2K | 4       | 1 |
| 4   | 594 53 57-01 | SCREW       | M05 x 14, A2-70, Black    | 4       | 1 |
| 5   | 595 03 65-01 | WASHER      |                           | 4       | 1 |
| 6   | 594 12 03-01 | SCREW       | M6 x 35                   | 4       | 1 |
| 7   | 594 54 47-01 | CABLE       |                           | 8       | 1 |
| 8   | 594 12 53-01 | PIPE CLAMP  | 13.0 8.4 20.0             | 3       | 1 |
| 9   | 595 29 36-01 | CLAMP       | 20.0 8.4 20.0             | 1       | 1 |
| 10  | 598 19 72-01 | PIPE CLAMP  | 08.0 8.4 20.0             | 3       | 1 |

**AL** LG 400  
DECALS



## DECALS

LG 400, 967855401, 967855402, 967896401, 967896403, 2019-08

| Ref | Part No      | Description | Remark                   | QTY KIT |
|-----|--------------|-------------|--------------------------|---------|
| 1   | 595 37 54-01 | DECAL       |                          | 1       |
| 2   | 595 37 53-01 | DECAL       |                          | 1       |
| 4   | 594 35 39-01 | DECAL       |                          | 1       |
| 5   | 594 33 71-01 | DECAL       |                          | 1       |
| 6   | 594 53 53-01 | DECAL       |                          | 1       |
| 7   | 594 65 96-01 | LABEL       |                          | 1       |
| 8   | 595 06 57-01 | DECAL       |                          | 1       |
| 9   | 594 51 59-01 | DECAL       |                          | 1       |
| 10  | 594 35 38-01 | DECAL       |                          | 2       |
| 11  | 594 66 08-01 | LABEL       |                          | 4       |
| 12  | 594 66 16-01 | LABEL       | Lombardini versions only | 1       |
| 13  | 595 04 97-01 | DECAL       |                          | 1       |
| 14  | 594 51 78-01 | DECAL       |                          | 1       |
| 15  | 595 05 12-01 | DECAL       |                          | 2       |
| 17  | 595 17 29-01 | DECAL       |                          | 4       |
| 18  | 595 37 61-01 | DECAL       |                          | 1       |
| 19  | 595 37 62-01 | DECAL       |                          | 1       |
| 20  | 594 66 02-01 | LABEL       | Honda versions only      | 1       |