

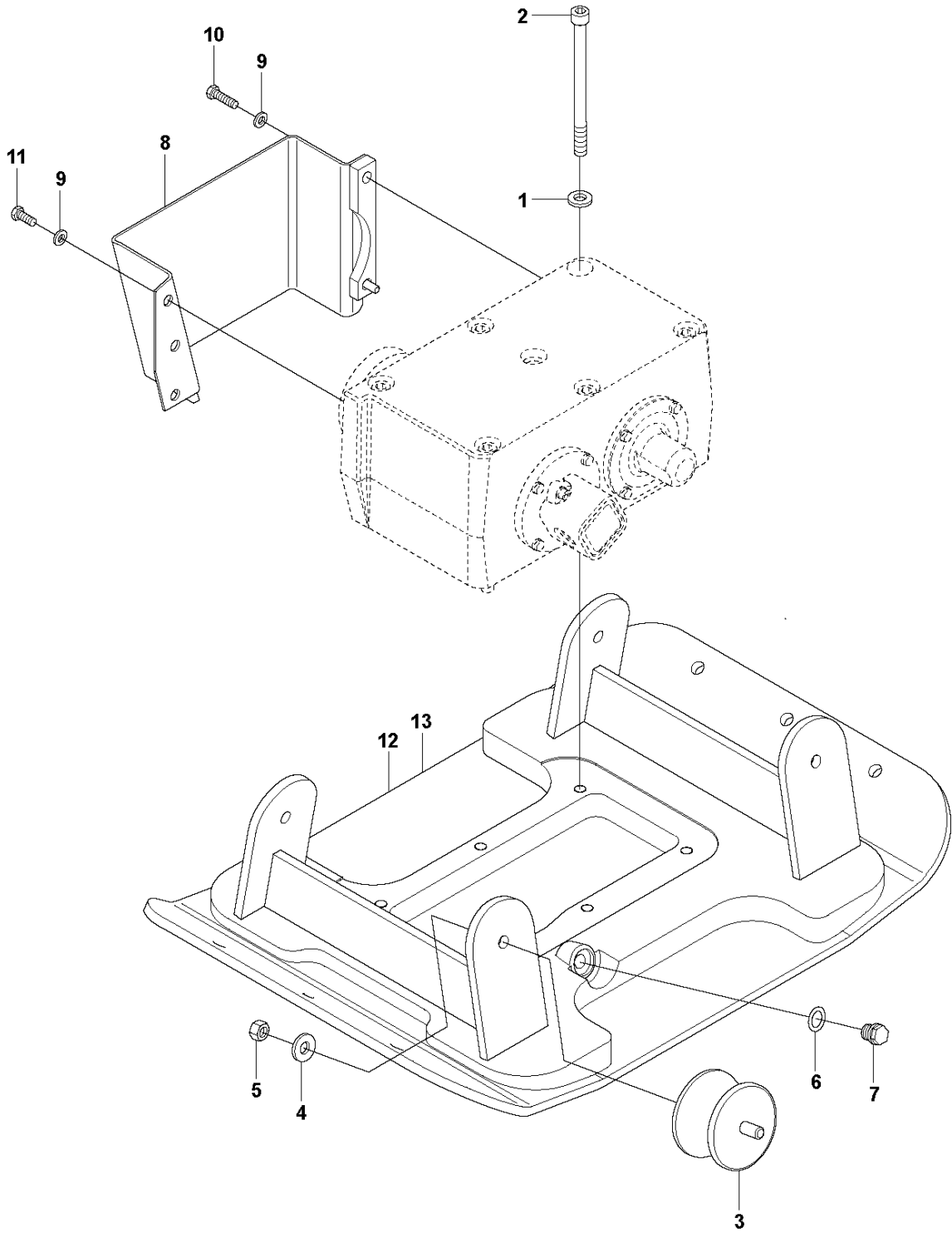


SPARE PARTS LIST

LIGHT COMPACTION

LG 300, 967855303, 967855306,
967855304, 967855307, 967855305,
967855301, 967855302, 2019-06

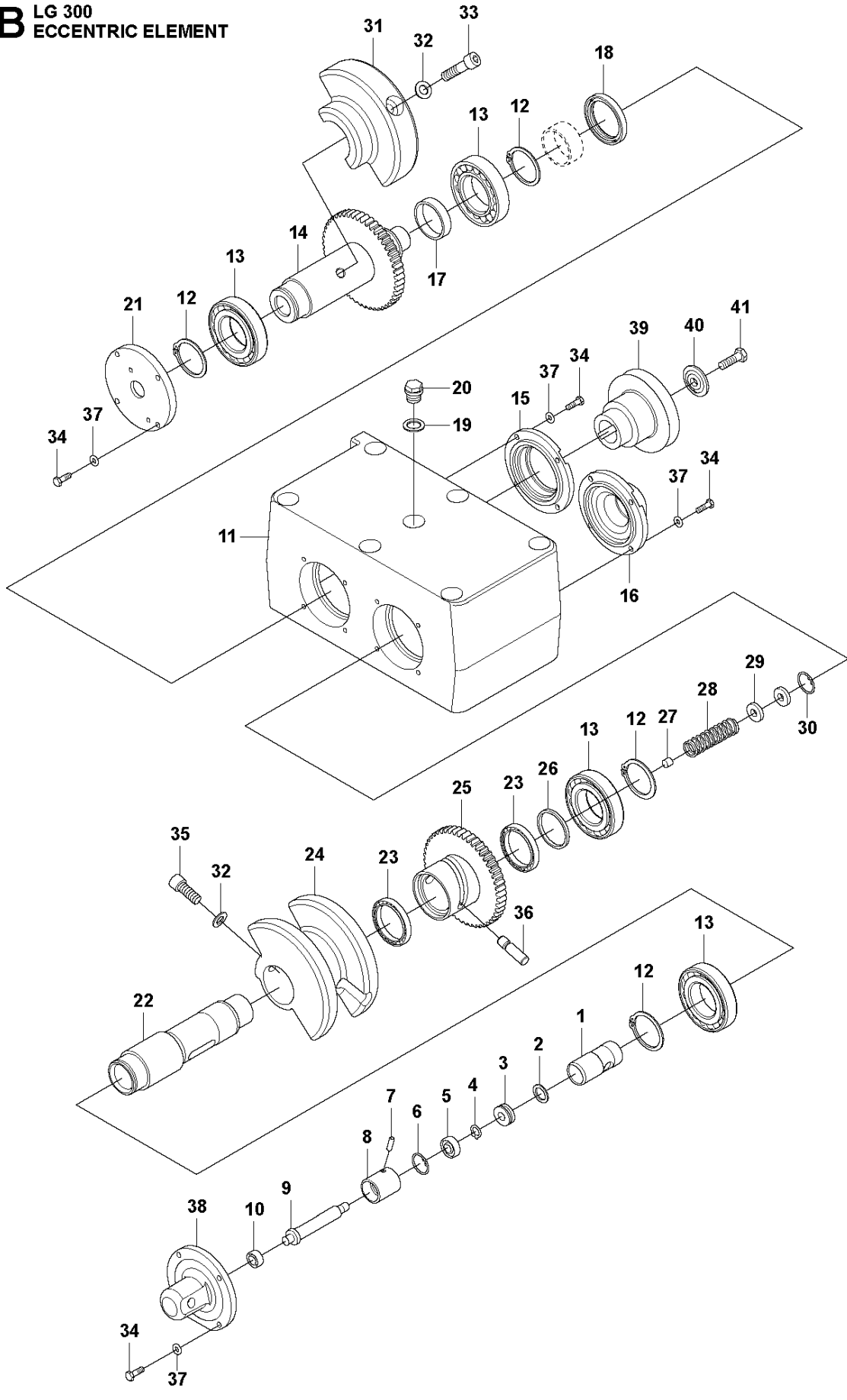
A LG 300
GROUND PLATE AND ECCENTRIC ELEMENT INSTALLATION



GROUND PLATE & ECCENTRIC ELEMENT INSTALLATION LG 300, 967855303, 967855306,
 967855304, 967855307, 967855305, 967855301, 967855302, 2019-06

| Ref | Part No | Description | Remark | QTY KIT |
|-----|--------------|--------------|--|---------|
| 1 | 595 11 30-01 | WASHER | 13 x 24 x 6 mm, 0.51 x 0.95 x 0.16 in. 300 HV | 6 |
| 2 | 594 55 18-01 | SCREW | M12 x 160 mm 12.9GEOMET® | 6 |
| 3 | 594 32 70-01 | ABSORBER | | 4 |
| 4 | 595 06 68-01 | WASHER | 13 x 24 x 2 mm, 0.51 x 0.94 x 0.08 in. 300 HV | 4 |
| 5 | 595 35 18-01 | NUT | M12 A3K | 4 |
| 6 | 595 51 43-01 | WASHER | 16.7 x 24 x 1.5 mm, 0.66 x 0.94 x 0.06 in. TYPE A, M16 | 1 |
| 7 | 595 04 83-01 | PLUG | M16 | 1 |
| 8 | 594 43 13-01 | BELT COVER | | 1 |
| 9 | 595 03 66-01 | WASHER | 8.4 x16 x1.5 mm, 0.33 x 0.63 x 0.06 in. 300 HV | 5 |
| 10 | 595 05 54-01 | SCREW | M8x20 mm 8.8 A2K | 3 |
| 11 | 594 11 79-01 | SCREW | M8 x 30 mm 8.8 A2K | 2 |
| 12 | 595 50 45-01 | PLATE | 500 mm, 19.68 in. | 1 |
| 13 | 594 64 43-01 | GROUND PLATE | 600 mm, 23.62 in. | 1 |

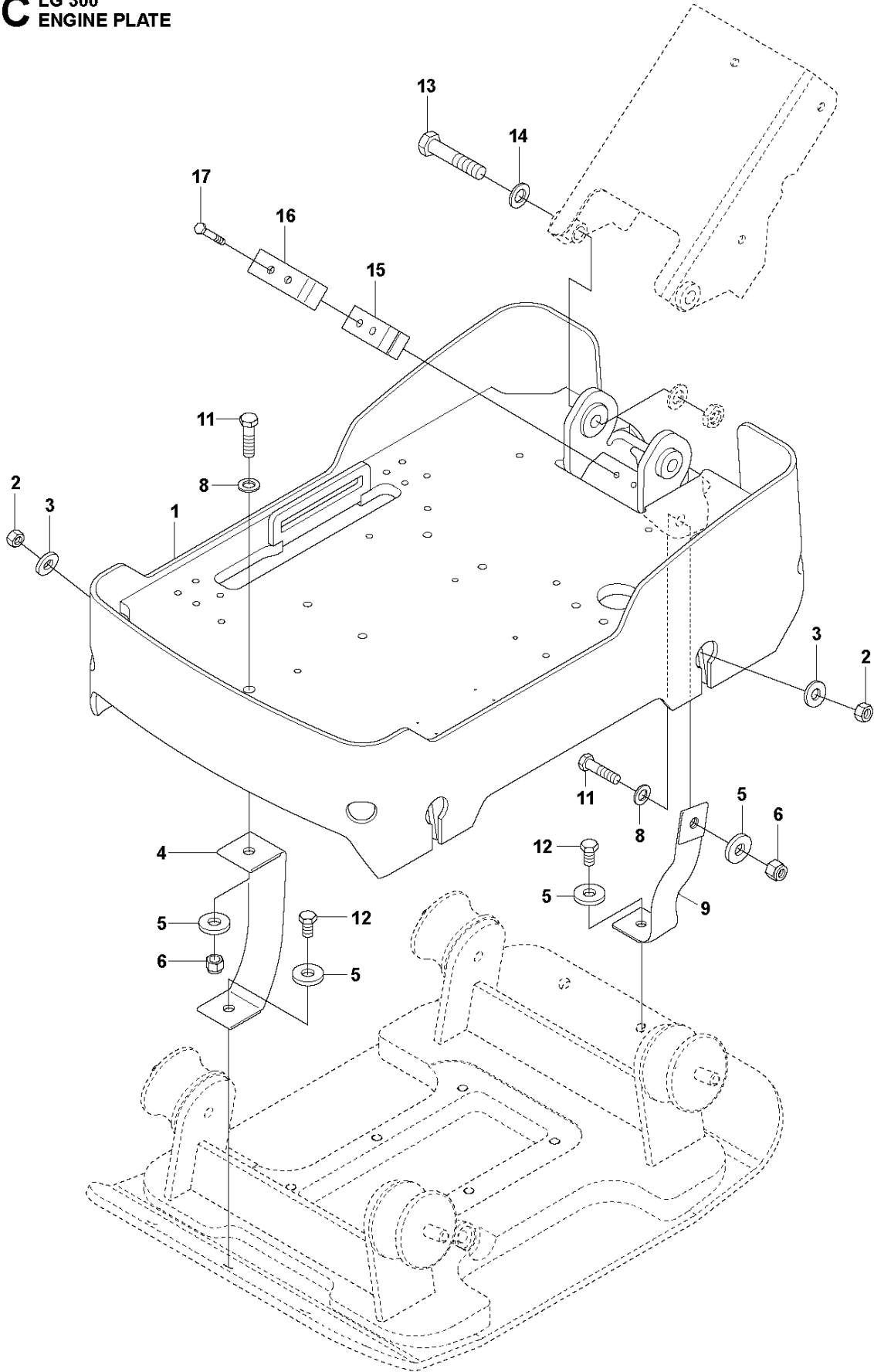
B LG 300
ECCENTRIC ELEMENT



ECCENTRIC ELEMENT LG 300, 967855303, 967855306, 967855304, 967855307, 967855305,
967855301, 967855302, 2019-06

| Ref | Part No | Description | Remark | QTY KIT |
|-----|--------------|----------------|---|---------|
| 1 | 594 64 35-01 | PISTON | | 1 |
| 2 | 594 64 77-01 | SPRING WASHER | | 1 |
| 3 | 594 64 76-01 | BALL BEARING | | 1 |
| 4 | 594 26 56-01 | RING | | 1 |
| 5 | 594 64 75-01 | BALL BEARING | | 1 |
| 6 | 594 26 64-01 | RING | | 1 |
| 7 | 595 06 26-01 | PIN | | 1 |
| 8 | 594 64 50-01 | CAP | | 1 |
| 9 | 594 64 33-01 | PISTON ROD | | 1 |
| 10 | 594 33 22-01 | SEALING | | 1 |
| 11 | 594 43 60-01 | HOUSING | | 1 |
| 12 | 595 04 58-01 | SNAP RING | | 4 |
| 13 | 594 53 11-01 | ROLLER BEARING | | 4 |
| 14 | 594 48 72-01 | SHAFT | | 1 |
| 15 | 594 43 58-01 | COVER | | 1 |
| 16 | 594 64 37-01 | COVER | | 1 |
| 17 | 594 32 59-01 | SPACER RING | | 1 |
| 18 | 594 54 74-01 | SEALING | | 1 |
| 19 | 595 04 78-01 | GASKET | 16.7x24x1.5 mm Type A M16 | 1 |
| 20 | 595 04 83-01 | PLUG | M16 | 1 |
| 21 | 594 43 59-01 | COVER | | 1 |
| 22 | 594 64 36-01 | SHAFT | | 1 |
| 23 | 594 55 05-01 | BALL BEARING | | 2 |
| 24 | 594 32 67-01 | EXCENTER | | 1 |
| 25 | 594 64 49-01 | GEAR WHEEL | | 1 |
| 26 | 594 32 60-01 | SPACER RING | | 1 |
| 27 | 594 54 65-01 | STOP SCREW | M10 x 12 mm | 1 |
| 28 | 594 32 69-01 | SPRING | | 1 |
| 29 | 594 32 62-01 | WASHER | | 2 |
| 30 | 595 04 60-01 | RETAINER RING | | 1 |
| 31 | 594 35 62-01 | EXCENTER | | 1 |
| 32 | 595 11 89-01 | LOCKWASHER | 12 x 22 x 2 mm, 0.47 x 0.87 x 0.08 in. 300 HV | 2 |
| 33 | 594 52 63-01 | SCREW | M12 x 60 mm 10.9GEOMET® | 1 |
| 34 | 595 10 98-01 | SCREW | M6 x 20 mm 8.8 A2K | 16 |
| 35 | 594 52 62-01 | SCREW | M12 x 30mm 10.9GEOMET® | 1 |
| 36 | 594 32 58-01 | PIN | | 1 |
| 37 | 595 03 65-01 | WASHER | 6.4 x 12 x 1.5 mm, 0.25 x 0.47 x 0.06 in. 300 HV | 16 |
| 38 | 594 64 32-01 | CYLINDER | | 1 |
| 39 | 594 43 03-01 | PULLEY | | 1 |
| 40 | 594 32 63-01 | WASHER | | 1 |
| 41 | 594 11 85-01 | BOLT | M10 x 25 mm | 1 |

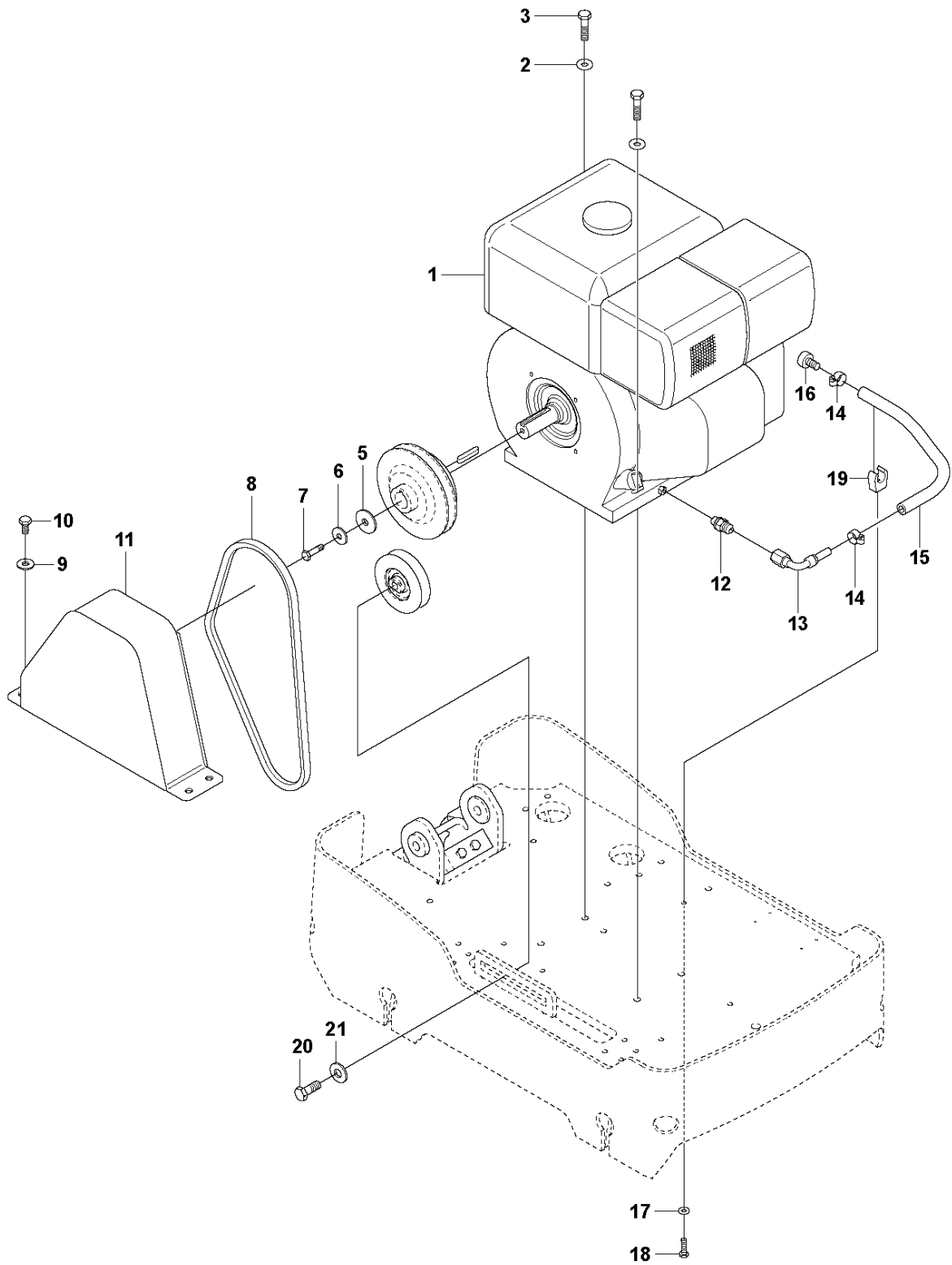
C LG 300
ENGINE PLATE



ENGINE PLATE LG 300, 967855303, 967855306, 967855304, 967855307, 967855305, 967855301, 967855302, 2019-06

| Ref | Part No | Description | Remark | QTY KIT |
|-----|--------------|--------------|---|---------|
| 1 | 595 12 04-01 | ENGINE PLATE | | 1 |
| 2 | 595 35 18-01 | NUT | M12 A3K | 4 |
| 3 | 595 11 28-01 | WASHER | 13 x 30 x 4 mm, 0.51 x 1.18 x 0.16 in. 300 HV | 4 |
| 4 | 594 14 30-01 | STRAP | | 1 |
| 5 | 594 12 40-01 | WASHER | 13 x 36 x 6 mm, 0.51 x 1.42 x 0.24 in. 300 HV | 4 |
| 6 | 595 11 27-01 | NUT | M12 x 25 mm 8.8 A3K | 2 |
| 8 | 595 06 68-01 | WASHER | 13 x 24 x 2 mm, 0.51 x 0.94 x 0.08 in. 300 HV | 1 |
| 9 | 594 14 15-01 | STRAP | | 1 |
| 11 | 595 05 55-01 | SCREW | M12 x 45 mm 8.8 A3K | 2 |
| 12 | 595 34 52-01 | BOLT | M12 x 20 mm 8.8 A3K | 2 |
| 13 | 595 34 41-01 | SCREW | M16 x 80 mm 10.9 GEOMET® | 2 |
| 14 | 595 03 67-01 | WASHER | 10.5 x 22 x 2 mm, 0.41 x 0.87 x 0.08 in. 300 HV | 4 |
| 15 | 594 32 40-01 | BLOCK | | 1 |
| 16 | 594 14 74-01 | BRACKET | | 1 |
| 17 | 595 28 71-01 | SCREW | M8 x 50 mm 8.8 A2K | 2 |

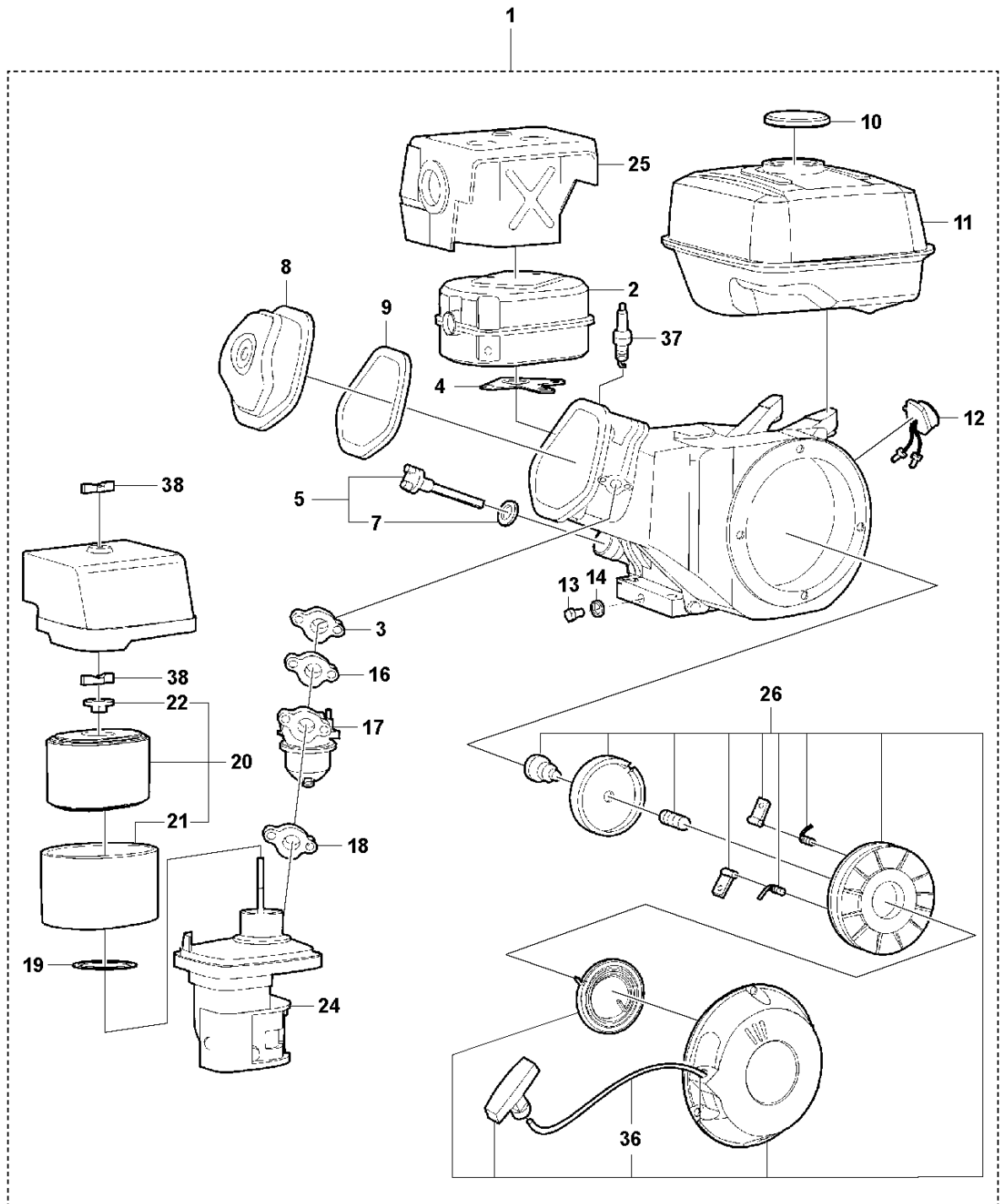
D LG 300
ENGINE INSTALLATION - HONDA



ENGINE INSTALLATION - HONDA LG 300, 967855303, 967855306, 967855304, 967855307,
967855305, 967855301, 967855302, 2019-06

| Ref | Part No | Description | Remark | QTY KIT |
|-----|--------------|-------------|---|---------|
| 1 | 594 35 23-01 | ENGINE | | 1 |
| 2 | 594 74 73-01 | WASHER | 10.5 x 22 x 4 mm , 0.33 x 0.87 x 0.16 in. 300 HV | 4 |
| 3 | 595 34 48-01 | SCREW | M10 x 40 mm 8.8 A3K | 4 |
| 5 | 594 50 16-01 | WASHER | 9 x 35 x 2 mm SR | 1 |
| 6 | 595 11 29-01 | WASHER | 8.4 x 26 x 4 mm, 0.33 x 1.02 x 0.16 in. 300 HV | 1 |
| 7 | 595 03 34-01 | SCREW | M8 x 30 mm 8.8 A2K | 1 |
| 8 | 594 33 27-01 | BELT | | 1 |
| 9 | 594 12 34-01 | WASHER | M08 8,4x22x3,0 300 HV | 4 |
| 10 | 594 11 79-01 | SCREW | M8 x 16 mm 8.8 A2K | 4 |
| 11 | 594 96 18-01 | V-BELT | | 1 |
| 12 | 595 18 60-01 | ADAPTER | | 1 |
| 13 | 594 52 29-01 | CONNECTOR | | 1 |
| 14 | 595 45 46-01 | CLAMP | 11-18 x 9 mm, 0.43 -0.71 x 0.35 in. | 2 |
| 15 | 594 14 78-01 | HOSE | | 1 |
| 16 | 594 14 73-01 | PLUG | | 1 |
| 17 | 595 03 65-01 | WASHER | Washer must be added here under the bolt. | |
| 18 | 596 69 50-08 | SCREW | M5 x 25 mm 8.8 A2K | 1 |
| 19 | 594 33 10-01 | CLIP | | 1 |
| 20 | 594 11 90-01 | BOLT | 13 x 36 x 6 mm, 0.51 x 1.42 x 0.24 in. 300 HV | 1 |
| 21 | 595 11 28-01 | WASHER | M12 x 30 mm 8.8 A3K | 1 |

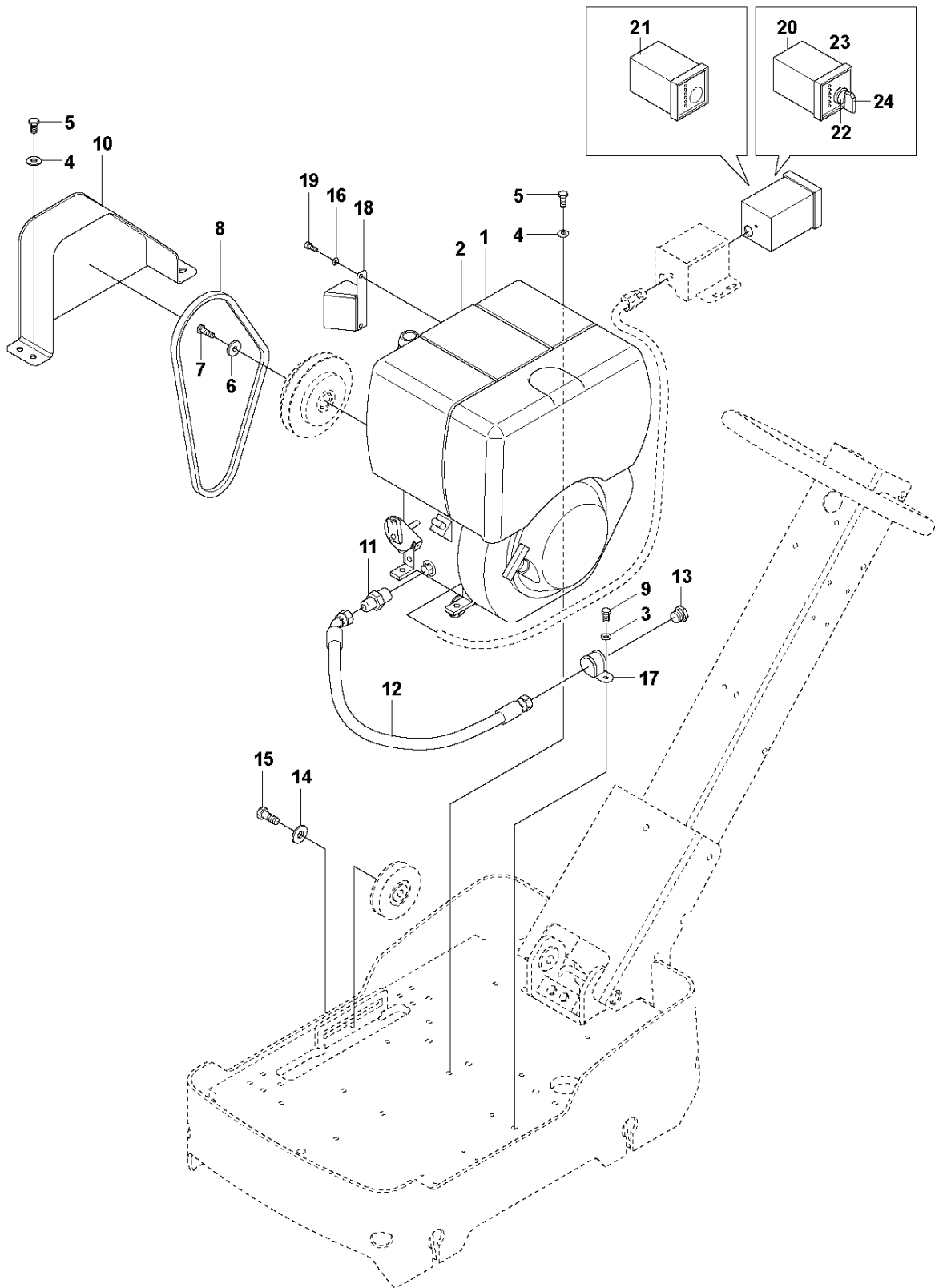
E LG 300
ENGINE - HONDA GX 270 UT SWS4



ENGINE - HONDALG 300, 967855303, 967855306, 967855304, 967855307, 967855305, 967855301, 967855302, 2019-06

| Ref | Part No | Description | Remark | QTY | KIT |
|-----|--------------|-------------|----------------------|-----|-----|
| 1 | 594 35 23-01 | ENGINE | Honda GX 270 UT SWS4 | 1 | |
| 2 | 594 57 53-01 | MUFFLER | | 1 | 1 |
| 3 | 595 47 07-01 | GASKET | | 1 | 1 |
| 4 | 595 13 12-01 | GASKET | | 1 | 1 |
| 5 | 595 38 19-01 | DIPSTICK | | 1 | 1 |
| 7 | 594 20 39-01 | GASKET | | 1 | 5 |
| 8 | 595 13 13-01 | COVER | | 1 | 1 |
| 9 | 594 76 03-01 | GASKET | | 1 | 1 |
| 10 | 594 60 91-01 | CAP | | 1 | 1 |
| 11 | 595 13 11-01 | FUEL TANK | | 1 | 1 |
| 12 | 594 20 58-01 | SWITCH | | 1 | 1 |
| 13 | 595 38 20-01 | OIL PLUG | | 1 | 1 |
| 14 | 594 76 06-01 | GASKET | | 1 | 1 |
| 16 | 595 19 15-01 | GASKET | | 1 | 1 |
| 17 | 595 13 14-01 | CARBURETTOR | | 1 | 1 |
| 18 | 595 19 14-01 | SPACER | | 1 | 1 |
| 19 | 595 47 08-01 | GASKET | | 1 | 1 |
| 20 | 594 57 51-01 | AIR FILTER | | 1 | 1 |
| 21 | 594 37 17-01 | AIR FILTER | Complete | 1 | 20 |
| 22 | 595 04 94-01 | GASKET | | 1 | 20 |
| 24 | 595 13 15-01 | AIR FILTER | | 1 | 1 |
| 25 | 595 38 21-01 | COVER | | 1 | 1 |
| 26 | 594 20 59-01 | STARTER | Complete | 1 | 1 |
| 36 | 594 84 81-01 | STRAP | | 1 | 26 |
| 37 | 594 57 50-01 | SPARK PLUG | | 1 | 1 |
| 38 | 595 04 93-01 | NUT | | 2 | 1 |

F LG 300
ENGINE INSTALLATION - HATZ



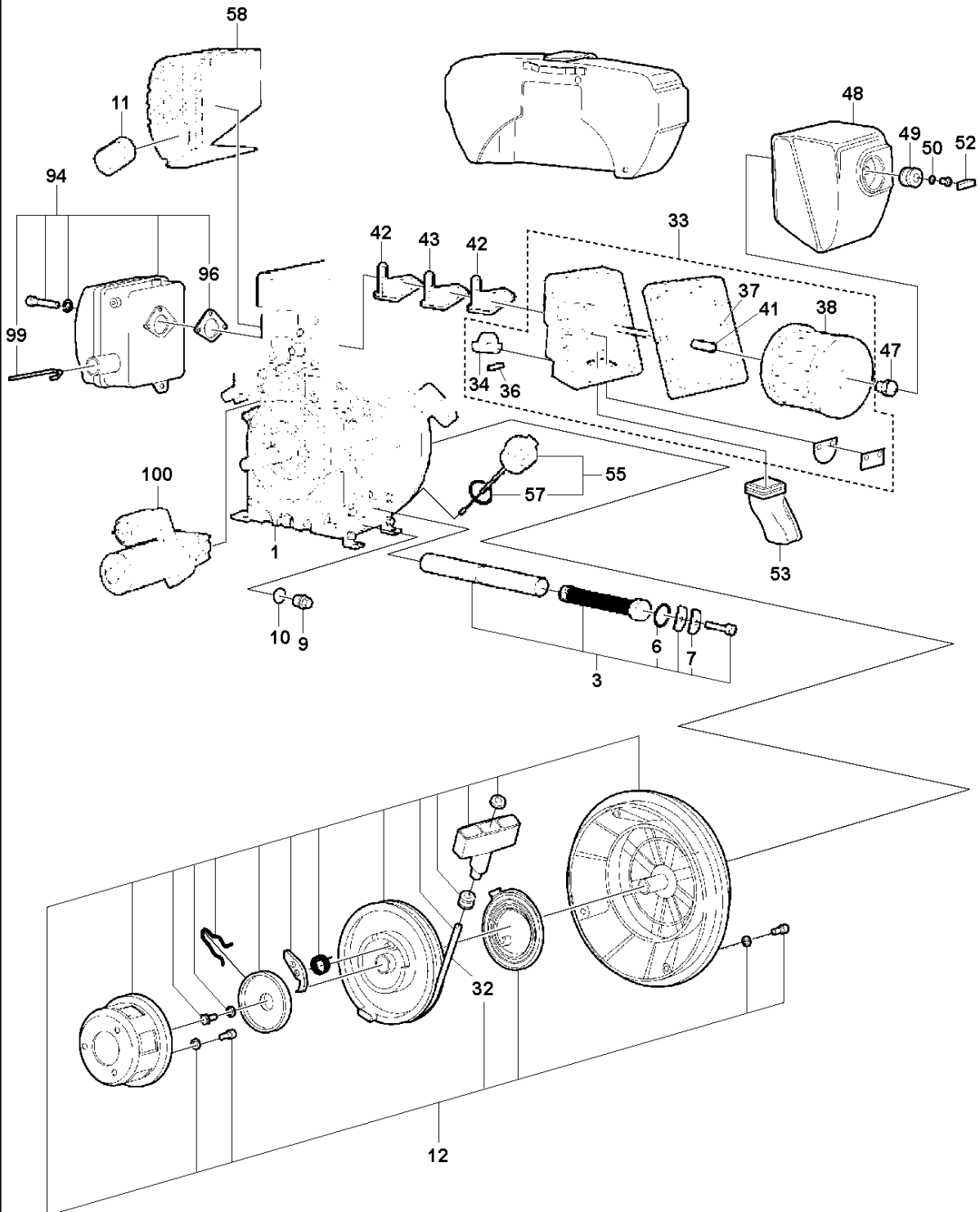
ENGINE INSTALLATION - HATZ

LG 300, 967855303, 967855306, 967855304, 967855307,

967855305, 967855301, 967855302, 2019-06

| Ref | Part No | Description | Remark | QTY KIT |
|-----|--------------|-----------------|--|---------|
| 1 | 595 17 14-01 | ENGINE | Diesel, manual | 1 |
| 2 | 595 17 13-01 | ENGINE | Diesel, electric | 1 |
| 3 | 595 36 55-01 | ENGINE | Diesel, Hatz 1B30 electric start, EPA-version (For US and Canada market) | |
| 4 | 594 12 34-01 | WASHER | 8.4 x 16 x 1.5 mm, 0.33 x 0.63 x 0.06 in. 300 HV | 9 |
| 5 | 594 11 79-01 | SCREW | M8 x 20 mm 8.8 A2K | 4 |
| 6 | 595 11 29-01 | WASHER | 8.4 x 26 x 4 mm, 0.33 x 1.02 x 0.16 in. 300 HV | 1 |
| 7 | 595 03 34-01 | SCREW | M8 x 25 mm 8.8 A2K | 1 |
| 8 | 594 33 18-01 | BELT | | 1 |
| 9 | 595 11 01-01 | SCREW | M8 x 16 mm 8.8 A2K | 5 |
| 10 | 594 96 19-01 | V-BELT | | 1 |
| 11 | 595 18 66-01 | ADAPTER | | 1 |
| 12 | 595 37 56-01 | HYDRAULIC HOSE | | 1 |
| 13 | 595 45 25-01 | PLUG | | 1 |
| 14 | 595 11 28-01 | WASHER | 13 x 30 x 4 mm, 0.51 x 1.18 x 0.16 in. 300 HV | 1 |
| 15 | 594 11 90-01 | BOLT | M6 x 20 mm 8.8 A2K | 1 |
| 16 | 595 03 65-01 | WASHER | 6,4x12x1,5 | 2 |
| 17 | 595 18 86-01 | CLAMP | | 1 |
| 18 | 595 17 64-01 | DEFLECTOR | | 1 |
| 19 | 595 03 42-01 | SCREW | | 2 |
| 20 | 594 43 16-01 | CONTROL | Standard | 1 |
| 21 | 594 43 17-01 | BOX | Option | 1 |
| 22 | 594 43 43-01 | COVER | | 1 |
| 23 | 594 58 15-01 | IGNITION SWITCH | | 1 |
| 24 | 594 58 11-01 | KEY | | 1 |

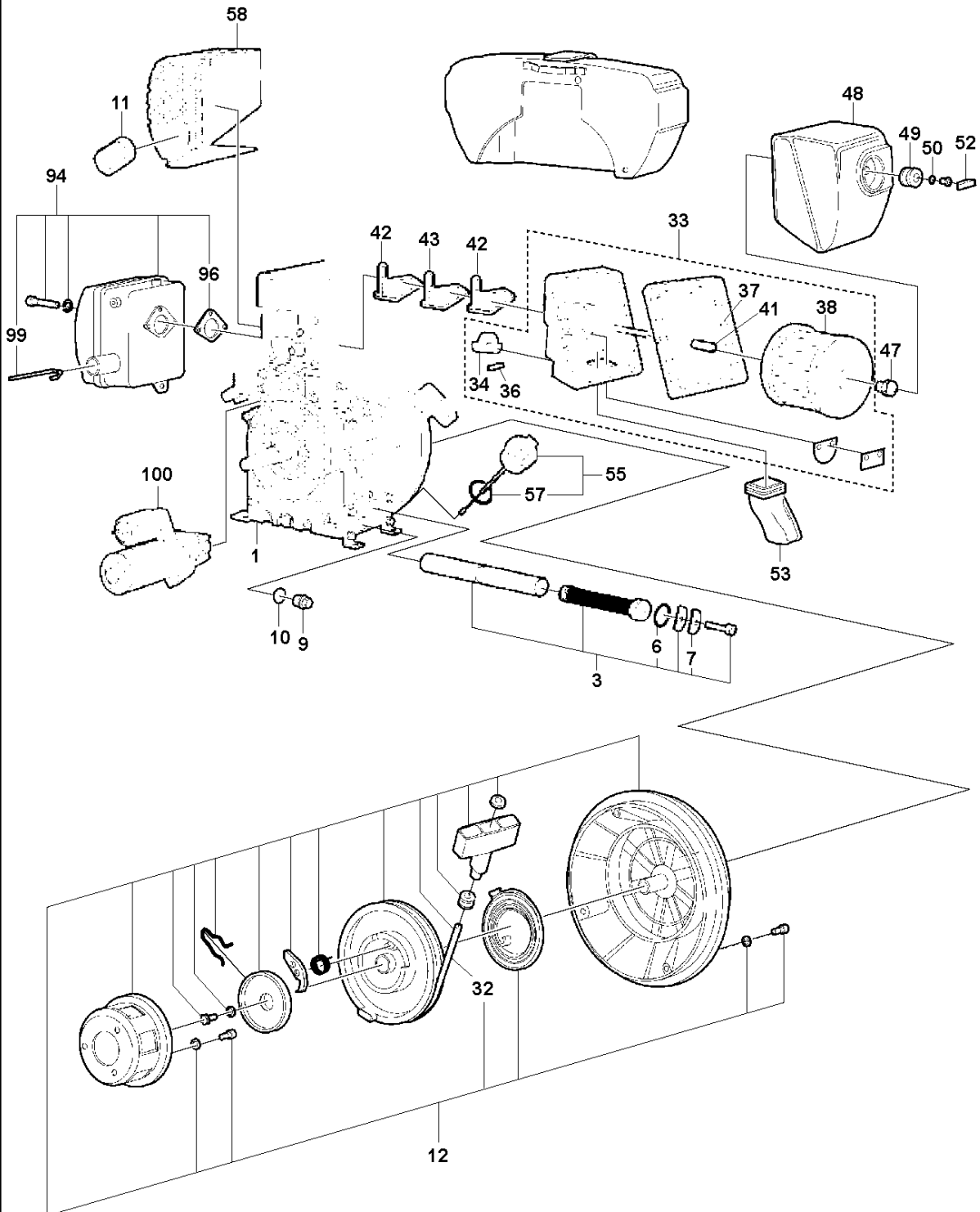
G LG 300
ENGINE - HATZ 1B30 - ELECTRIC START



ENGINE - HATZ - ELECTRIC START LG 300, 967855303, 967855306, 967855304, 967855307,
967855305, 967855301, 967855302, 2019-06

| Ref | Part No | Description | Remark | QTY | KIT |
|-----|--------------|------------------|---------------------------|-----|-----|
| 1 | 595 17 13-01 | ENGINE | Hatz 1B30, Electric start | 1 | |
| 3 | 594 57 01-01 | STRAINER | Complete | 1 | |
| 6 | 595 38 06-01 | O-RING | | 1 | 3 |
| 7 | 595 38 07-01 | LOCKWASHER | | 2 | 3 |
| 9 | 594 57 02-01 | PLUG | | 1 | |
| 10 | 594 51 30-01 | GASKET | | 1 | |
| 11 | 594 57 04-01 | EXHAUST PIPE | | 1 | |
| 12 | 594 56 84-01 | STARTER | | 1 | |
| 32 | 594 56 90-01 | ROPE | | 1 | 12 |
| 33 | 595 38 22-01 | AIR FILTER | | 1 | |
| 34 | 594 57 21-01 | NIPPLE | | 1 | 33 |
| 36 | 595 38 08-01 | SEALING | | 1 | 33 |
| 37 | 594 60 43-01 | TRIM | | 1 | 33 |
| 38 | 595 37 73-01 | FILTER | | 1 | 33 |
| 41 | 594 20 26-01 | SLEEVE | | 1 | 33 |
| 42 | 594 57 20-01 | GASKET | | 2 | |
| 43 | 595 47 02-01 | GASKET | | 1 | |
| 47 | 594 57 12-01 | NUT | | 1 | |
| 48 | 594 57 31-01 | PROTECTIVE COVER | | 1 | |
| 49 | 594 57 14-01 | SLEEVE | | 1 | |
| 50 | 595 38 09-01 | SHIM | | 1 | |
| 52 | 594 57 15-01 | NUT | | 1 | |
| 53 | 594 57 17-01 | TUBE | | 1 | |
| 55 | 594 57 80-01 | OIL | | 1 | |
| 57 | 594 60 55-01 | O-RING | | 1 | 55 |
| 58 | 594 59 20-01 | PROTECTIVE COVER | | 1 | |
| 94 | 594 59 53-01 | MUFFLER | | 1 | |
| 96 | 594 57 33-01 | GASKET | | 1 | 94 |
| 99 | 595 38 10-01 | HOOK | | 1 | 94 |
| 100 | 594 58 52-01 | STARTER | | 1 | |

H LG 300
ENGINE - HATZ 1B30 - ELECTRIC START - EPA



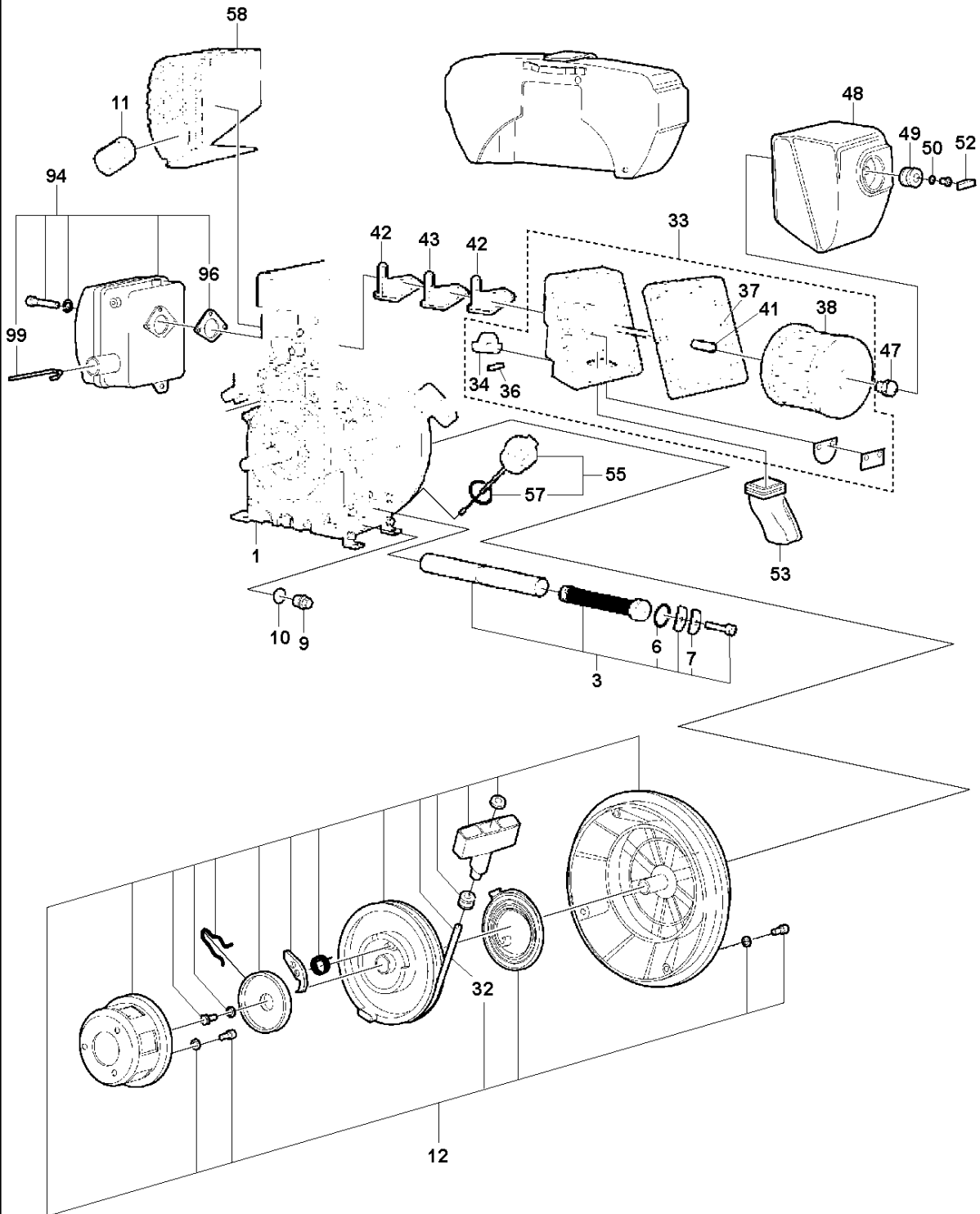
ENGINE - HATZ - ELECTRIC START - EPA

LG 300, 967855303, 967855306, 967855304,

967855307, 967855305, 967855301, 967855302, 2019-06

| Ref | Part No | Description | Remark | QTY | KIT |
|-----|--------------|------------------|---|-----|-----|
| 1 | 595 36 55-01 | ENGINE | Hatz 1B30, Electric start, EPA version | 1 | |
| 3 | 594 57 01-01 | STRAINER | Complete | 1 | |
| 6 | 595 38 06-01 | O-RING | | 1 | 3 |
| 7 | 595 38 07-01 | LOCKWASHER | | 2 | 3 |
| 9 | 594 57 02-01 | PLUG | | 1 | |
| 10 | 594 51 30-01 | GASKET | | 1 | |
| 11 | 594 57 04-01 | EXHAUST PIPE | | 1 | |
| 12 | 594 56 84-01 | STARTER | Complete | 1 | |
| 32 | 594 56 90-01 | ROPE | | 1 | 12 |
| 33 | 595 38 22-01 | AIR FILTER | | 1 | |
| 34 | 594 57 21-01 | NIPPLE | | 1 | 33 |
| 36 | 595 38 08-01 | SEALING | | 1 | 33 |
| 37 | 594 60 43-01 | TRIM | | 1 | 33 |
| 38 | 595 37 73-01 | FILTER | | 1 | 33 |
| 41 | 594 20 26-01 | SLEEVE | | 1 | 33 |
| 42 | 594 57 20-01 | GASKET | | 2 | |
| 43 | 595 47 02-01 | GASKET | | 1 | |
| 47 | 594 57 12-01 | NUT | | 1 | |
| 48 | 594 57 31-01 | PROTECTIVE COVER | | 1 | |
| 49 | 594 57 14-01 | SLEEVE | | 1 | |
| 50 | 595 38 09-01 | SHIM | | 1 | |
| 52 | 594 57 15-01 | NUT | | 1 | |
| 53 | 594 57 17-01 | TUBE | | 1 | |
| 55 | 594 57 80-01 | OIL | | 1 | |
| 57 | 594 60 55-01 | O-RING | | 1 | 55 |
| 58 | 594 59 20-01 | PROTECTIVE COVER | | 1 | |
| 94 | 594 59 53-01 | MUFFLER | | 1 | |
| 96 | 594 57 33-01 | GASKET | | 1 | 94 |
| 99 | 595 38 10-01 | HOOK | | 1 | 94 |
| 100 | 594 58 52-01 | STARTER | | 1 | |

J LG 300
ENGINE - HATZ 1B30 - MANUAL START



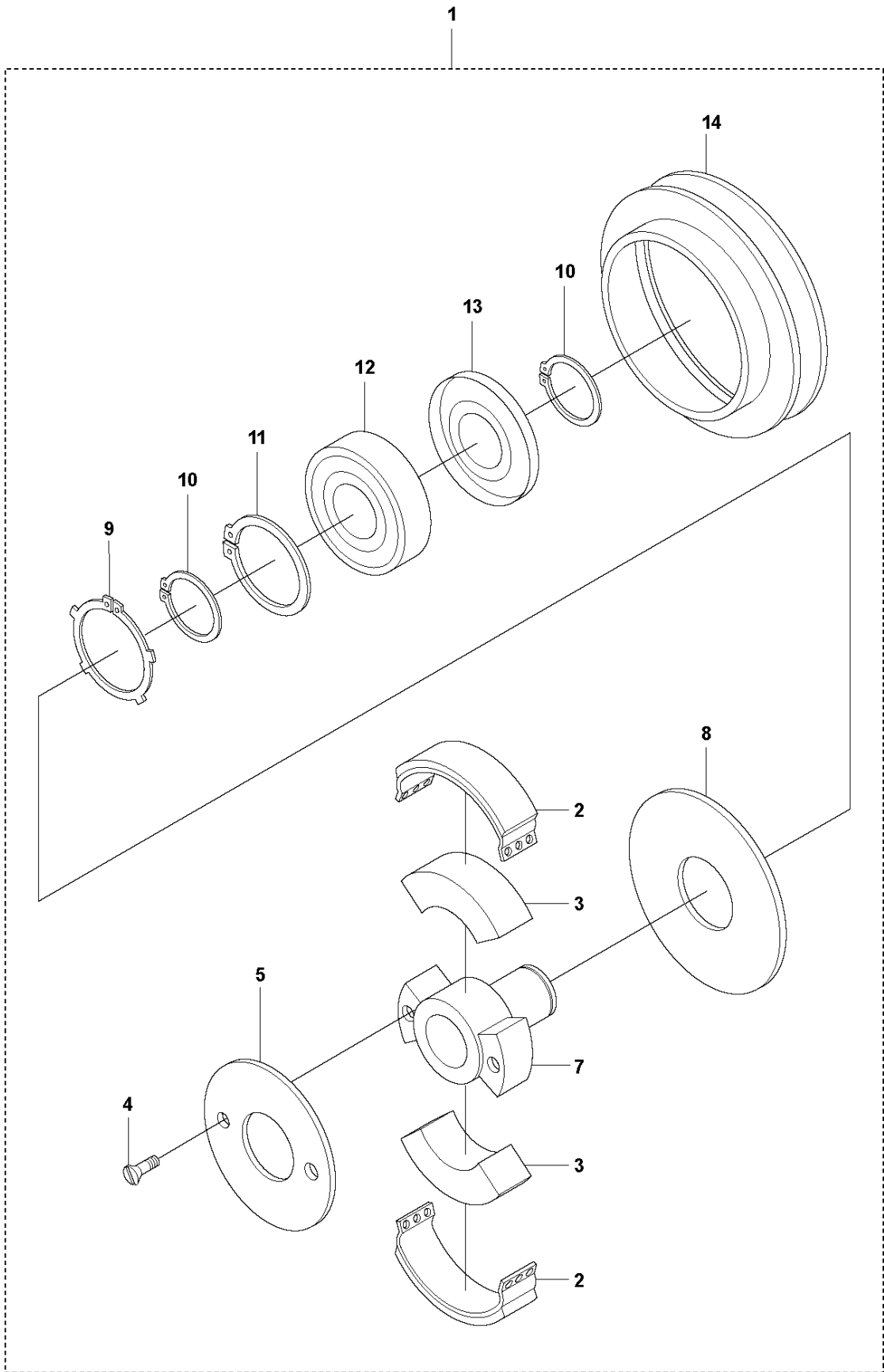
ENGINE - HATZ - MANUAL START LG 300, 967855303, 967855306, 967855304, 967855307,
 967855305, 967855301, 967855302, 2019-06

| Ref | Part No | Description | Remark | QTY | KIT |
|-----|--------------|------------------|-------------------------|-----|-----|
| 1 | 595 17 14-01 | ENGINE | Hatz 1B30, Manual start | 1 | |
| 3 | 594 57 01-01 | STRAINER | Complete | 1 | |
| 6 | 595 38 06-01 | O-RING | | 1 | 33 |
| 7 | 595 38 07-01 | LOCKWASHER | | 2 | 33 |
| 9 | 594 57 02-01 | PLUG | | 1 | |
| 10 | 594 51 30-01 | GASKET | | 1 | |
| 11 | 594 57 04-01 | EXHAUST PIPE | | 1 | |
| 12 | 594 56 84-01 | STARTER | Complete | 1 | |
| 32 | 594 56 90-01 | ROPE | | 1 | |
| 33 | 595 38 22-01 | AIR FILTER | | 1 | |
| 34 | 594 57 21-01 | NIPPLE | | 1 | 33 |
| 36 | 595 38 08-01 | SEALING | | 1 | 33 |
| 37 | 594 60 43-01 | TRIM | | 1 | 33 |
| 38 | 595 37 73-01 | FILTER | | 1 | 33 |
| 41 | 594 20 26-01 | SLEEVE | | 1 | 33 |
| 42 | 594 57 20-01 | GASKET | | 2 | |
| 43 | 595 47 02-01 | GASKET | | 1 | |
| 47 | 594 57 12-01 | NUT | | 1 | |
| 48 | 594 57 31-01 | PROTECTIVE COVER | | 1 | |
| 49 | 594 57 14-01 | SLEEVE | | 1 | |
| 50 | 595 38 09-01 | SHIM | | 1 | |
| 52 | 594 57 15-01 | NUT | | 1 | |
| 53 | 594 57 17-01 | TUBE | | 1 | |
| 55 | 594 57 80-01 | OIL | | 1 | |
| 57 | 594 60 55-01 | O-RING | | 1 | 55 |
| 58 | 594 59 20-01 | PROTECTIVE COVER | | 1 | |
| 94 | 594 59 53-01 | MUFFLER | | 1 | |
| 96 | 594 57 33-01 | GASKET | | 1 | 94 |
| 99 | 595 38 10-01 | HOOK | | 1 | 94 |

FUEL TANK - HATZ LG 300, 967855303, 967855306, 967855304, 967855307, 967855305,
967855301, 967855302, 2019-06

| Ref | Part No | Description | Remark | QTY | KIT |
|-----|--------------|-----------------|----------|-----|------|
| 1 | 594 58 48-01 | FUEL TANK | Complete | 1 | 1 |
| 2 | 594 56 61-01 | FUEL CAP | Complete | 1 | 1 |
| 5 | 595 38 12-01 | CIRCLIP | | 1 | 1 |
| 6 | 594 20 35-01 | WIRE | | 1 | 1 |
| 7 | 595 37 74-01 | FUEL FILTER | | 1 | 1 |
| 10 | 594 56 70-01 | GASKET | | 1 | 1, 7 |
| 11 | 595 38 26-01 | FUEL HOSE | | 1 | 1 |
| 12 | 594 56 63-01 | VALVE | | 1 | 1 |
| 13 | 594 56 76-01 | HOSE CLAMP | | 1 | 1 |
| 14 | 594 56 64-01 | ADAPTER | | 1 | 1 |
| 15 | 594 56 65-01 | GASKET | | 2 | 1 |
| 16 | 595 19 16-01 | SEALING | | 1 | 1 |
| 17 | 594 56 70-01 | GASKET | | 1 | 1 |
| 18 | 594 56 71-01 | PIPE | | 1 | 1 |
| 21 | 594 60 52-01 | NIPPLE | | 1 | 1, 7 |
| 22 | 595 19 27-01 | NIPPLE | | 1 | 1 |
| 23 | 595 13 17-01 | NIPPLE | | 1 | 1 |
| 25 | 594 20 33-01 | SCREW | | 1 | 1 |
| 26 | 594 20 32-01 | NIPPLE | | 1 | |
| 27 | 594 20 31-01 | CLAMP | | 1 | |
| 28 | 594 58 32-01 | WATER SEPARATOR | Complete | 1 | |
| 33 | 594 58 32-01 | WATER SEPARATOR | Complete | 1 | |

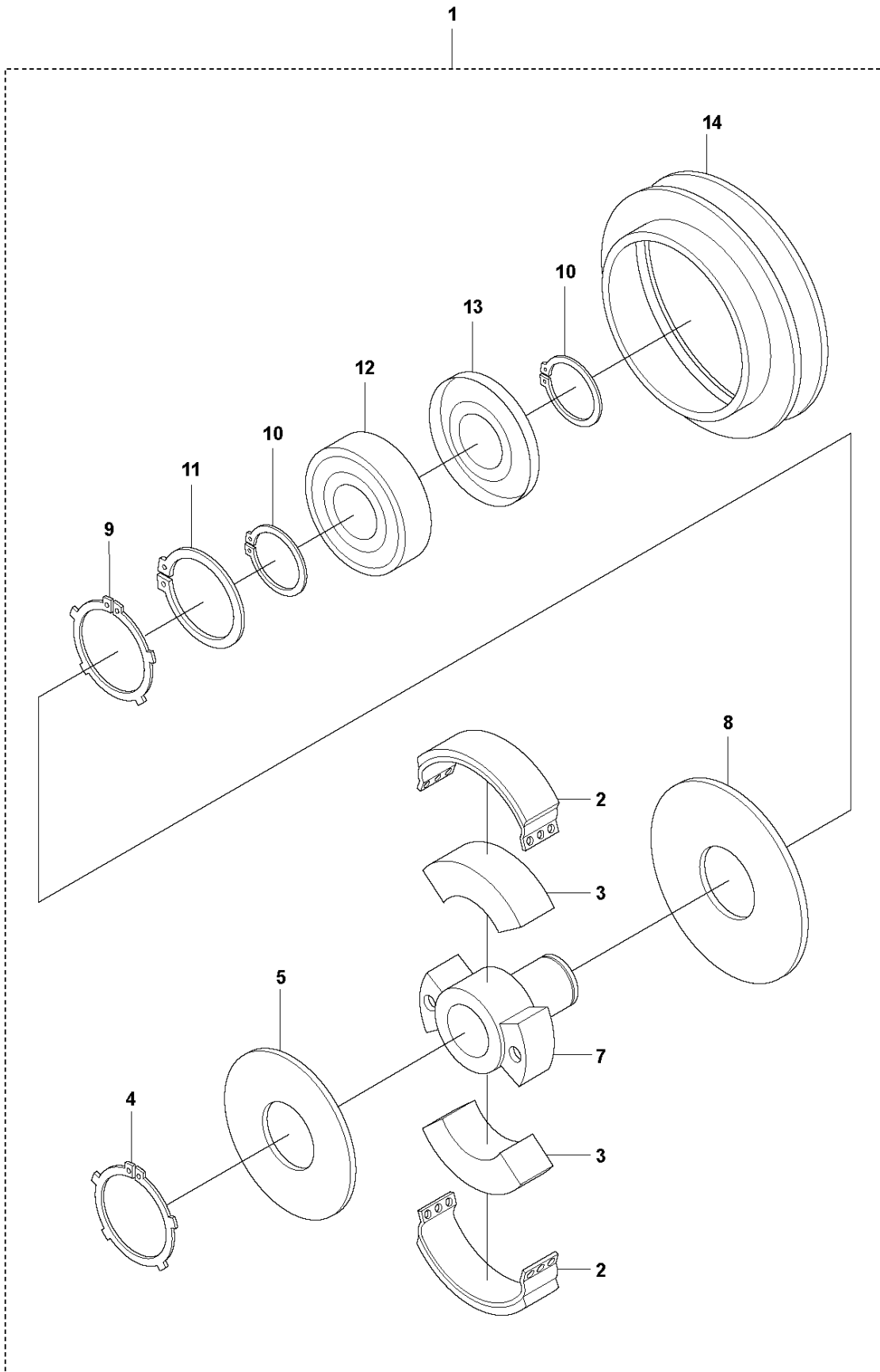
L LG 300
CENTRIFUGAL CLUTCH - HONDA



CENTRIFUGAL CLUTCH - HONDA LG 300, 967855303, 967855306, 967855304, 967855307,
 967855305, 967855301, 967855302, 2019-06

| Ref | Part No | Description | Remark | QTY KIT | |
|-----|--------------|--------------|---------------|---------|---|
| 1 | 594 43 07-01 | CLUTCH | complete | 1 | |
| 2 | 594 60 53-01 | CLUTCH | Clutch lining | 2 | 1 |
| 3 | 594 30 14-01 | WEIGHT | Clutch weight | 2 | 1 |
| 4 | 595 05 93-01 | SCREW | | 2 | 1 |
| 5 | 594 14 76-01 | CLUTCH COVER | | 1 | 1 |
| 7 | 594 60 51-01 | HUB | | 1 | 1 |
| 8 | 594 31 31-01 | COVER | | 1 | 1 |
| 9 | 594 30 88-01 | RING | | 1 | 1 |
| 10 | 594 58 45-01 | RING | | 2 | 1 |
| 11 | 594 58 44-01 | RING | | 1 | 1 |
| 12 | 594 58 43-01 | BALL BEARING | | 1 | 1 |
| 13 | 594 26 37-01 | RING | | 1 | 1 |
| 14 | 594 60 50-01 | V-BELT | | 1 | 1 |

M LG 300
CENTRIFUGAL CLUTCH - HONDA



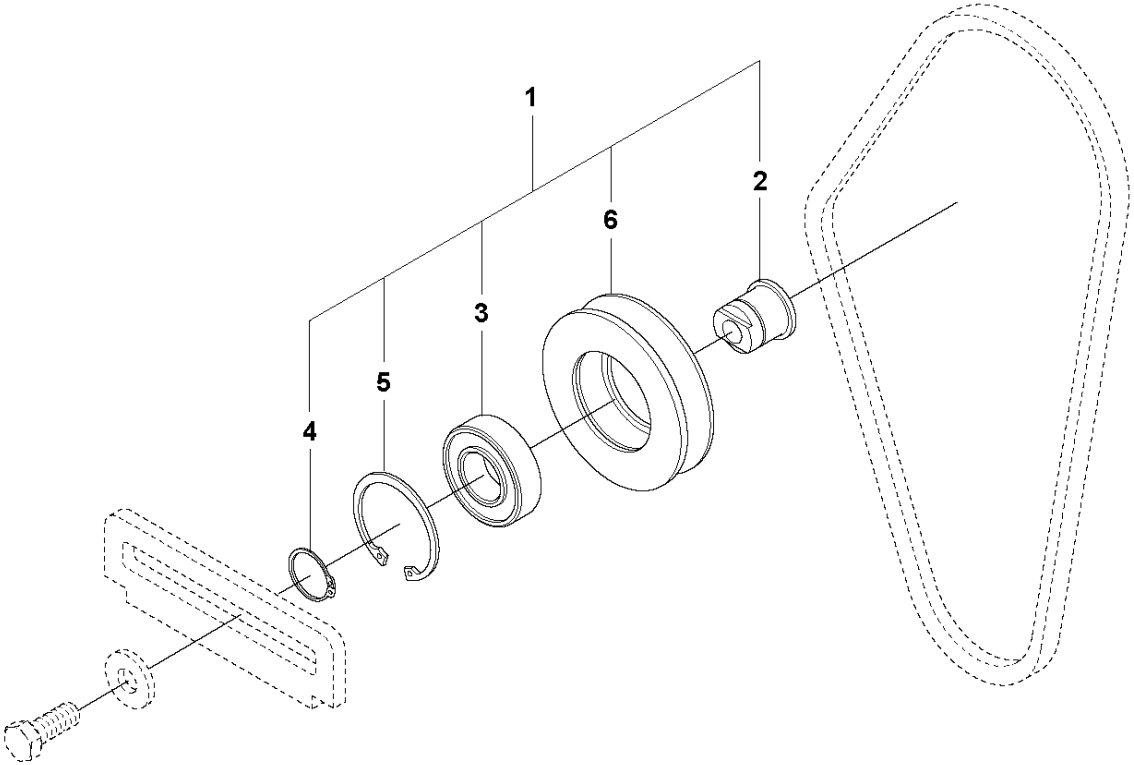
CENTRIFUGAL CLUTCH - HATZ LG 300, 967855303, 967855306, 967855304, 967855307,
 967855305, 967855301, 967855302, 2019-06

| Ref | Part No | Description | Remark | QTY | KIT |
|-----|--------------|--------------------|---------------|-----|-----|
| 1 | 594 43 10-01 | CENTRIFUGAL CLUTCH | Complete | 1 | 1 |
| 2 | 595 19 28-01 | CLUTCH | Clutch lining | 2 | 1 |
| 3 | 594 30 14-01 | WEIGHT | Clutch weight | 2 | 1 |
| 4 | 594 31 19-01 | RING | | 1 | 1 |
| 5 | 594 31 23-01 | COVER | | 1 | 1 |
| 7 | 594 57 23-01 | HUB | | 1 | 1 |
| 8 | 594 31 31-01 | COVER | | 1 | 1 |
| 9 | 594 30 88-01 | RING | | 1 | 1 |
| 10 | 594 58 45-01 | RING | | 2 | 1 |
| 11 | 594 58 44-01 | RING | | 1 | 1 |
| 12 | 594 58 43-01 | BALL BEARING | | 1 | 1 |
| 13 | 594 26 37-01 | RING | | 1 | 1 |
| 14 | 594 57 22-01 | NUT | | 1 | 1 |

BELT TIGHTENER

LG 300, 967855303, 967855306, 967855304, 967855307, 967855305,
967855301, 967855302, 2019-06

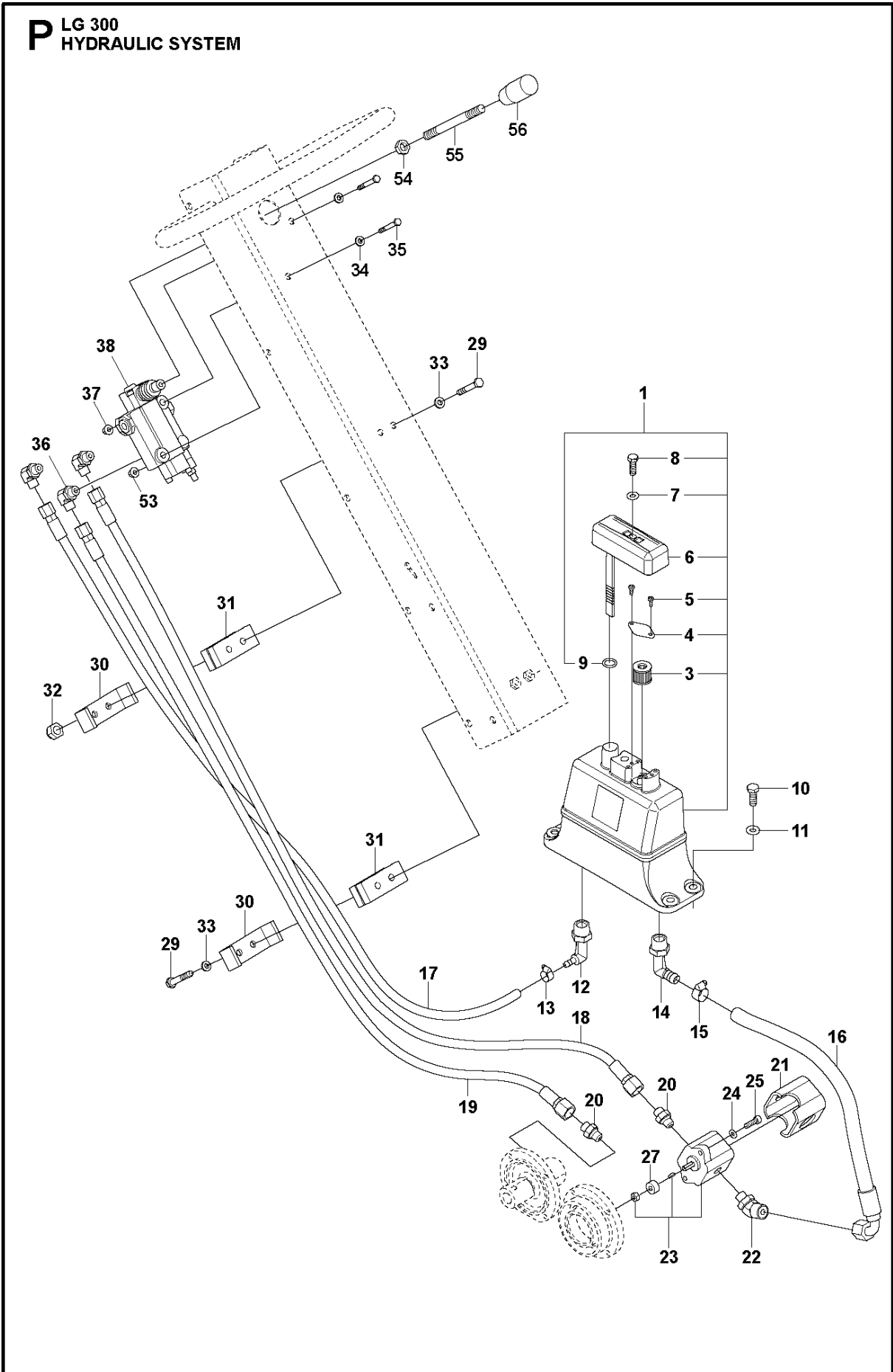
N LG 300
BELT TIGHTENER



BELT TIGHTENER LG 300, 967855303, 967855306, 967855304, 967855307, 967855305, 967855301, 967855302, 2019-06

| Ref | Part No | Description | Remark | QTY | KIT |
|-----|--------------|-------------|--------|-----|-----|
| 1 | 594 32 79-01 | BELT | | 1 | |
| 2 | 594 32 81-01 | SHAFT | | 1 | 1 |
| 3 | 595 04 50-01 | BEARING | | 1 | 1 |
| 4 | 595 04 12-01 | O-RING | | 1 | 1 |
| 5 | 594 12 50-01 | CIRCLIP | | 1 | 1 |
| 6 | 594 32 80-01 | BELT | | 1 | 1 |

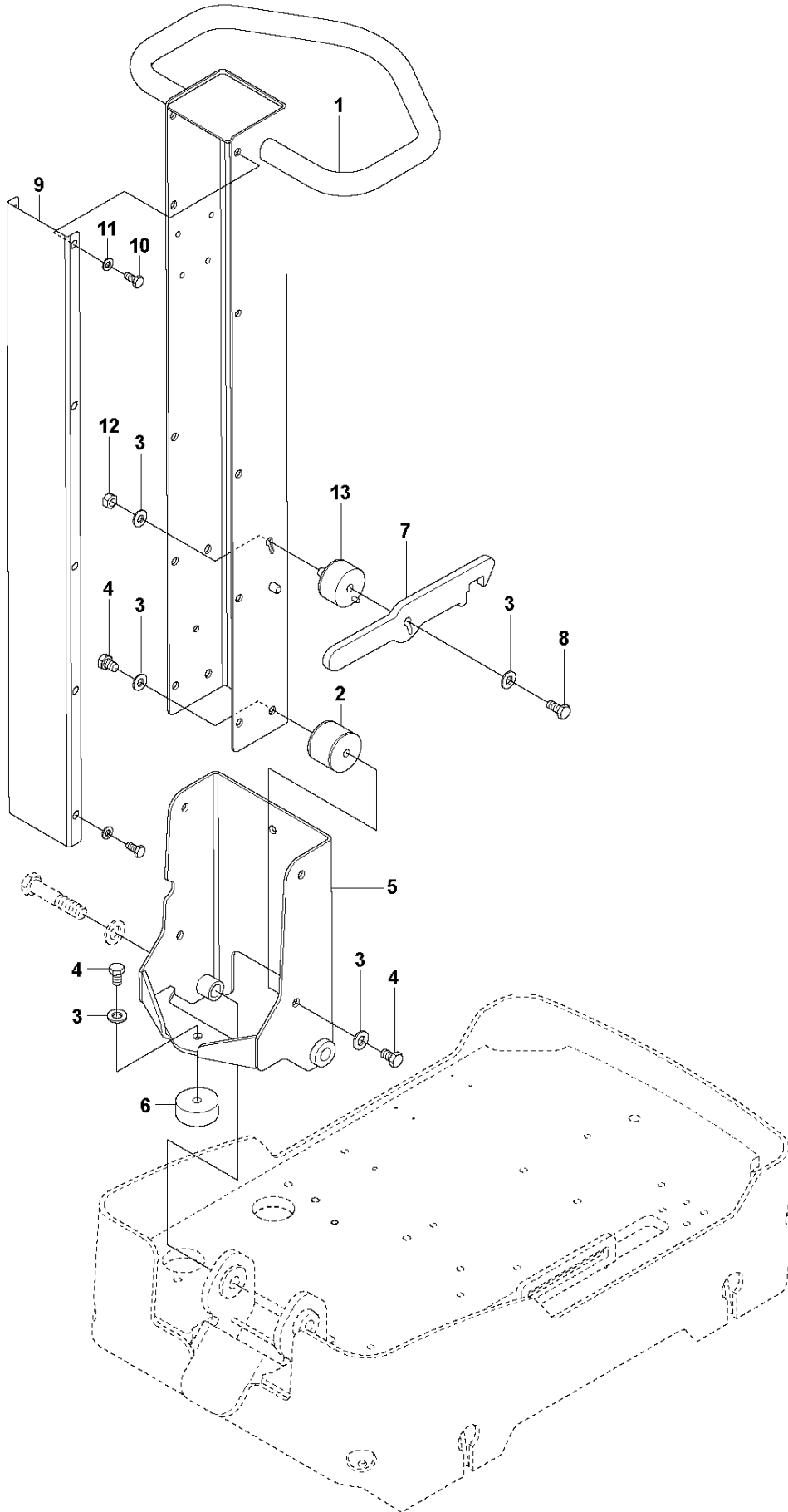
P LG 300
HYDRAULIC SYSTEM



HYDRAULIC SYSTEM LG 300, 967855303, 967855306, 967855304, 967855307, 967855305,
967855301, 967855302, 2019-06

| Ref | Part No | Description | Remark | QTY KIT | |
|-----|--------------|------------------|---|---------|---|
| 1 | 594 42 62-01 | HYDRAULIC TANK | Complete | 1 | |
| 3 | 594 44 55-01 | AIR FILTER | | 1 | 1 |
| 4 | 594 44 54-01 | FILTER HOLDER | | 1 | 1 |
| 5 | 594 83 88-01 | SCREW | K50 x 12 mm Type KX-PT | 2 | 1 |
| 6 | 594 44 31-01 | COVER | With dipstick | 1 | 1 |
| 7 | 594 12 34-01 | WASHER | 8,4x22x3 | 1 | 1 |
| 8 | 595 03 34-01 | SCREW | M8x25 mm 8.8 A2K | 1 | 1 |
| 9 | 595 04 73-01 | O-RING | | 1 | 1 |
| 10 | 594 11 85-01 | BOLT | M10 x 30 mm 8.8 A3K | 4 | |
| 11 | 594 74 74-01 | WASHER | 10.5 x 22 x 2 mm, 0.41 x 0.87 x 0.08 in. 300 HV | 4 | |
| 12 | 594 42 60-01 | ADAPTER | | 1 | |
| 13 | 595 16 07-01 | HOSE CLAMP | | 1 | |
| 14 | 594 42 61-01 | ADAPTER | | 1 | |
| 15 | 595 45 47-01 | CLAMP | | 1 | |
| 16 | 594 43 62-01 | HYDRAULIC HOSE | | 1 | |
| 17 | 594 43 80-01 | HYDRAULIC HOSE | | 1 | |
| 18 | 595 05 35-01 | HOSE | | 1 | |
| 19 | 594 49 76-01 | HYDRAULIC HOSE | | 1 | |
| 20 | 595 06 30-01 | CONNECTOR | | 2 | |
| 21 | 594 32 43-01 | PROTECTIVE COVER | | 1 | |
| 22 | 594 52 37-01 | ELBOW | | 1 | |
| 23 | 594 45 53-01 | PUMP | | 1 | |
| 24 | 595 03 65-01 | WASHER | 6.4 x 12 x 1.5 mm, 0.25 x 0.47 x 0.06 in. 300 HV | 1 | |
| 25 | 595 03 43-01 | SCREW | M6 x 20 mm 8.8 A2K | 2 | |
| 27 | 594 54 89-01 | GEAR | | 1 | |
| 29 | 595 05 42-01 | SCREW | | 4 | |
| 30 | 594 14 74-01 | BRACKET | | 2 | |
| 31 | 594 32 40-01 | BLOCK | | 2 | |
| 32 | 595 18 14-01 | NUT | M8 | 2 | |
| 33 | 595 35 23-01 | NUT | 8.4 x 16 x 1.5 mm, 0.33 x 0.63 x 0.06 in. 300 HV | 4 | |
| 34 | 595 03 65-01 | WASHER | 6.4 x 12 x 1.5 mm, 0.25 x 0.47 x 0.06 in. 300 HV | 2 | |
| 35 | 595 05 58-01 | SCREW | M6 x 55 mm 8.8 A2K | 2 | |
| 36 | 594 51 86-01 | ADAPTER | | 3 | |
| 37 | 595 03 60-01 | LOCK NUT | M6 x 1 mm A2K | 1 | |
| 38 | 594 34 76-01 | VALVE | Complete | 1 | |
| 53 | 595 11 26-01 | NUT | | 1 | |
| 54 | 595 03 57-01 | NUT | | 1 | |
| 55 | 594 47 84-01 | ROD | | 1 | |
| 56 | 594 53 28-01 | HANDLE | | 1 | |

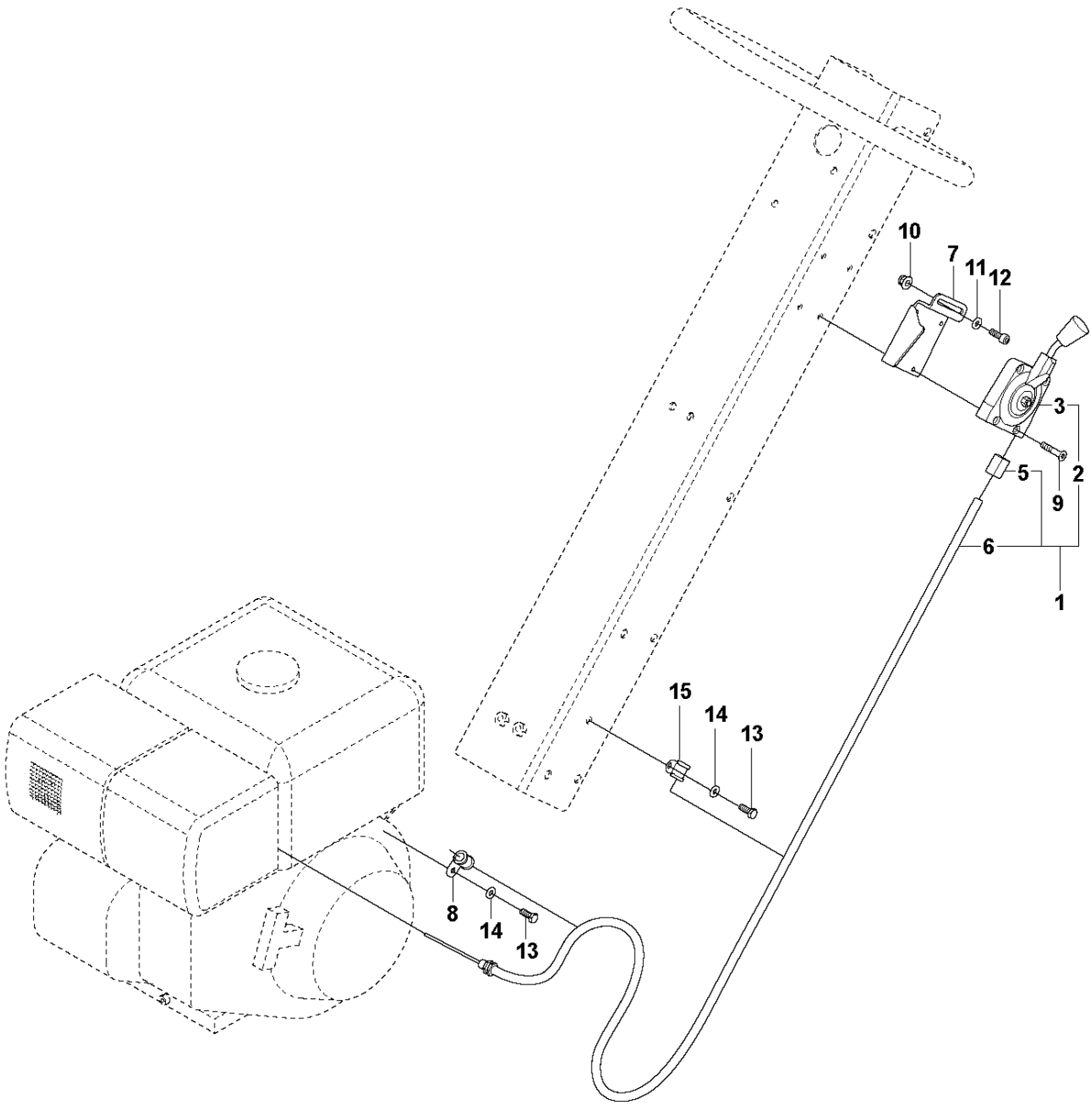
Q LG 300
HANDLE



HANDLE LG 300, 967855303, 967855306, 967855304, 967855307, 967855305, 967855301, 967855302, 2019-06

| Ref | Part No | Description | Remark | QTY KIT |
|-----|--------------|-------------|---|---------|
| 1 | 594 14 67-01 | HANDLE | | 1 |
| 2 | 594 14 75-01 | ABSORBER | | 4 |
| 3 | 594 74 74-01 | WASHER | 10.5 x 22 x 2 mm, 0.41 x 0.87 x 0.08 in. 300 HV | 11 |
| 4 | 595 34 46-01 | SCREW | M10 x 16 mm 8.8 A3K | 9 |
| 5 | 594 14 68-01 | BRACKET | | 1 |
| 6 | 594 51 83-01 | RADIATOR | | 1 |
| 7 | 594 43 41-01 | HOOK | | 1 |
| 8 | 594 11 84-01 | SCREW | M10 x 20 mm 8.8 A3K | 1 |
| 9 | 594 14 79-01 | COVER | | 1 |
| 10 | 595 11 01-01 | SCREW | M8 x 16 mm 8.8 A2K | 10 |
| 11 | 594 12 34-01 | WASHER | 8,4x22x3 | 10 |
| 12 | 595 02 94-01 | NUT | M10 A3K | 1 |
| 13 | 594 46 27-01 | ABSORBER | | 1 |

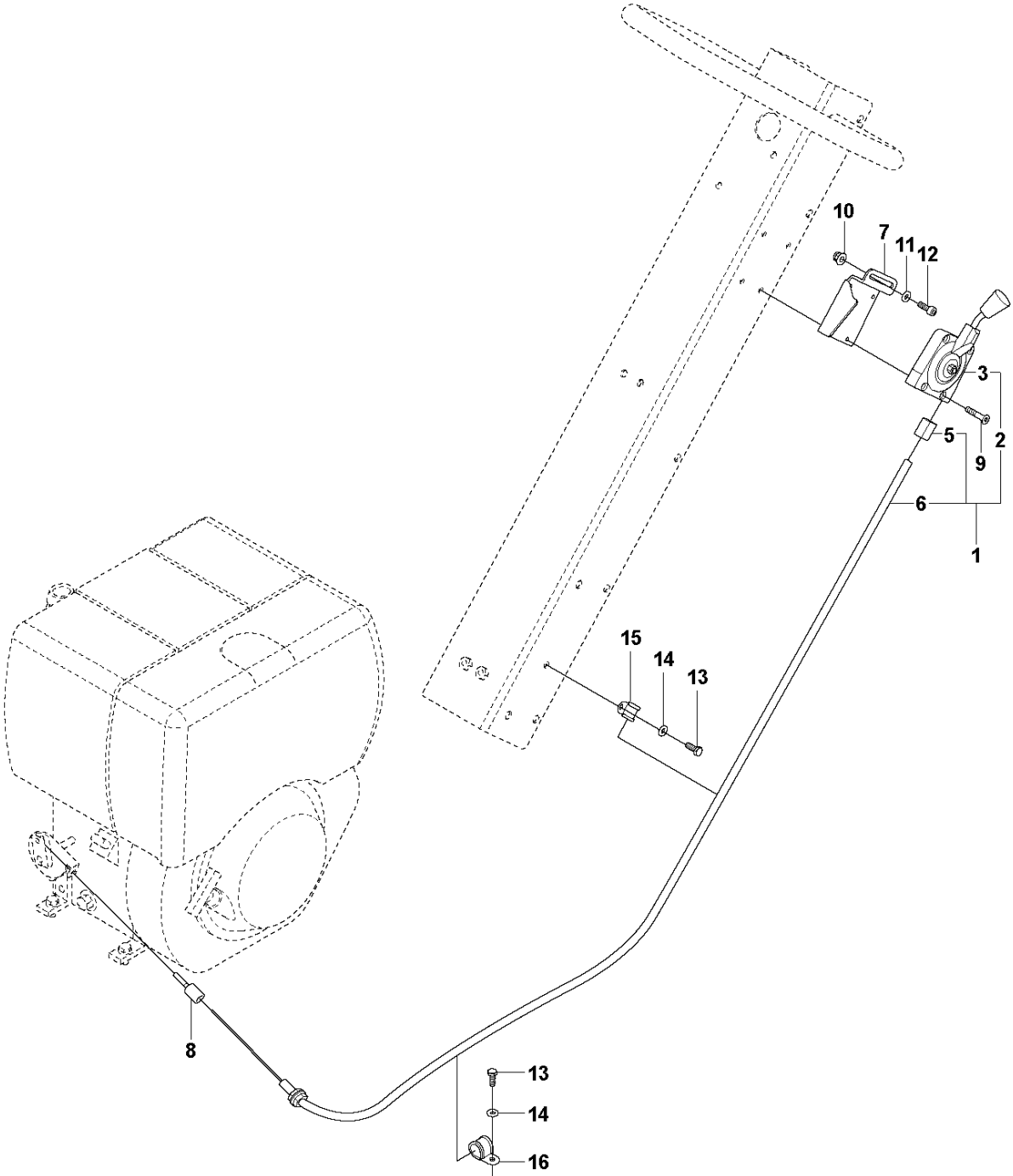
R LG 300
THROTTLE CONTROL - HONDA



THROTTLE CONTROL - HONDA LG 300, 967855303, 967855306, 967855304, 967855307,
967855305, 967855301, 967855302, 2019-06

| Ref | Part No | Description | Remark | QTY KIT | |
|-----|--------------|------------------|--------------------|---------|---|
| 1 | 594 35 76-01 | THROTTLE CONTROL | Complete | 1 | |
| 2 | 594 49 07-01 | LEVER | | 1 | 1 |
| 3 | 595 06 81-01 | KNOB | | 1 | 1 |
| 5 | 594 29 71-01 | CABLE | | 1 | 1 |
| 6 | 594 35 72-01 | CABLE | | 1 | 1 |
| 7 | 594 35 48-01 | BRACKET | | 1 | |
| 8 | 596 89 13-02 | PIPE CLAMP | | 1 | |
| 9 | 594 74 71-01 | SCREW | M5 x 30 mm A2-70 | 4 | |
| 10 | 595 11 26-01 | NUT | M6 x 1 mm A2K | 1 | |
| 11 | 594 48 57-01 | SPACER | | 1 | |
| 12 | 595 03 42-01 | SCREW | M6 x 20 mm 8.8 A2K | 1 | |
| 13 | 595 03 32-01 | SCREW | M6 x 16 mm 8.8 A2K | 1 | |
| 14 | 595 03 65-01 | WASHER | r6,4x12x1,5 | 1 | |
| 15 | 595 46 84-01 | CLAMP | | 1 | |

S LG 300
THROTTLE CONTROL - HATZ - NON EPA



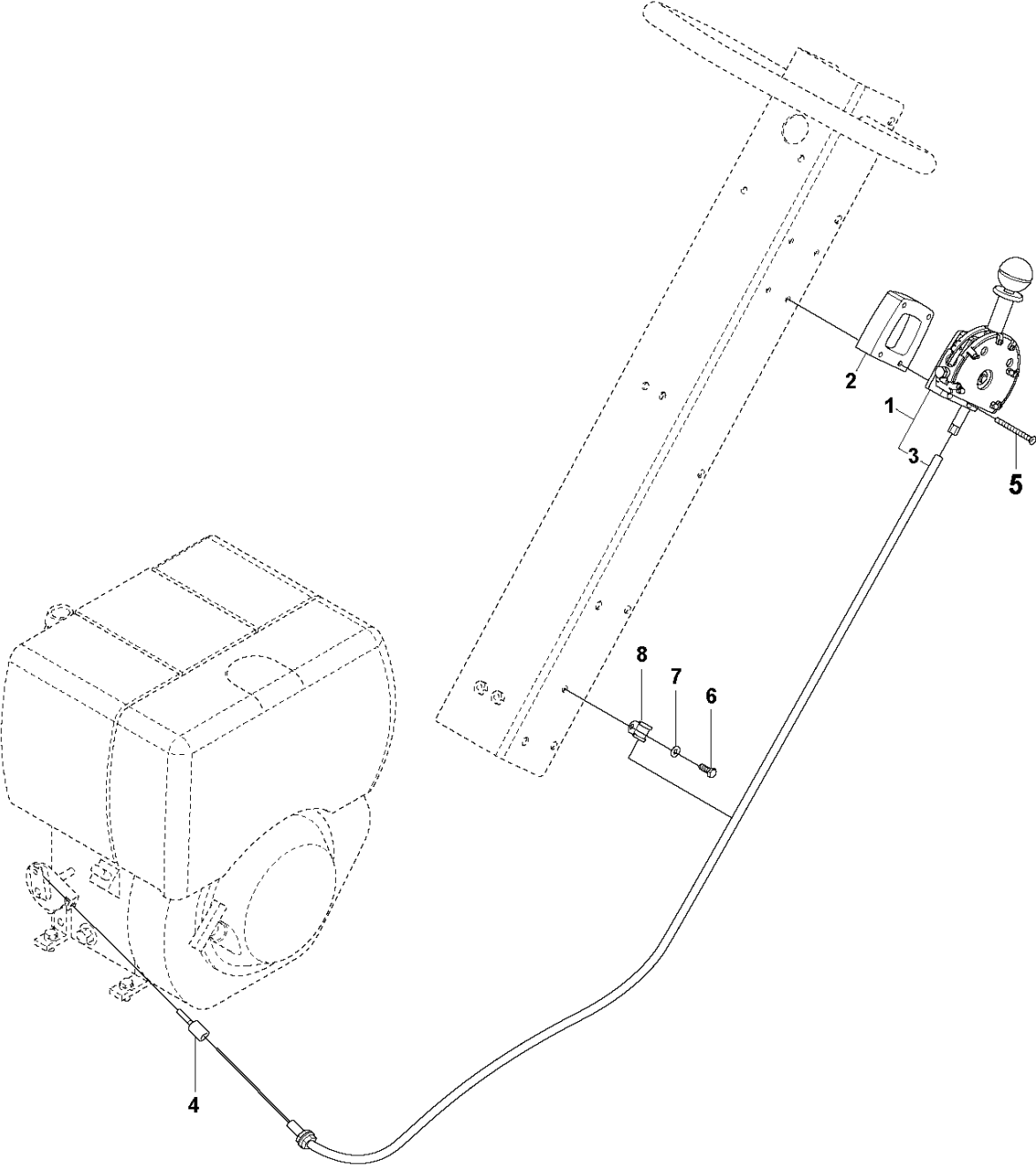
THROTTLE CONTROL - HATZ

LG 300, 967855303, 967855306, 967855304, 967855307,

967855305, 967855301, 967855302, 2019-06

| Ref | Part No | Description | Remark | QTY | KIT |
|-----|--------------|------------------|---|-----|-----|
| 1 | 594 43 64-01 | THROTTLE CONTROL | Complete | 1 | |
| 2 | 594 49 07-01 | LEVER | | 1 | 1 |
| 3 | 595 06 81-01 | KNOB | | 1 | 1 |
| 5 | 594 29 71-01 | CABLE | | 1 | 1 |
| 6 | 594 43 63-01 | CABLE | | 1 | 1 |
| 7 | 594 35 48-01 | BRACKET | | 1 | |
| 8 | 594 35 21-01 | NIPPLE | | 1 | |
| 9 | 594 74 71-01 | SCREW | M5 x 30 mm A2-70 | 4 | |
| 10 | 595 11 26-01 | NUT | M6 x 1 mm A2K | 1 | |
| 11 | 594 48 57-01 | SPACER | | 1 | |
| 12 | 595 03 42-01 | SCREW | M6 x 20 mm 8.8 A2K | 1 | |
| 13 | 595 03 32-01 | SCREW | M6 x 16 mm 8.8 A2K | 2 | |
| 14 | 595 03 65-01 | WASHER | 6.4 x 12 x 1.5 mm, 0.25 x 0.47 x 0.06 in. 300 HV | 2 | |
| 15 | 595 46 84-01 | CLAMP | | 1 | |
| 16 | 595 18 83-01 | CLAMP | | 1 | |

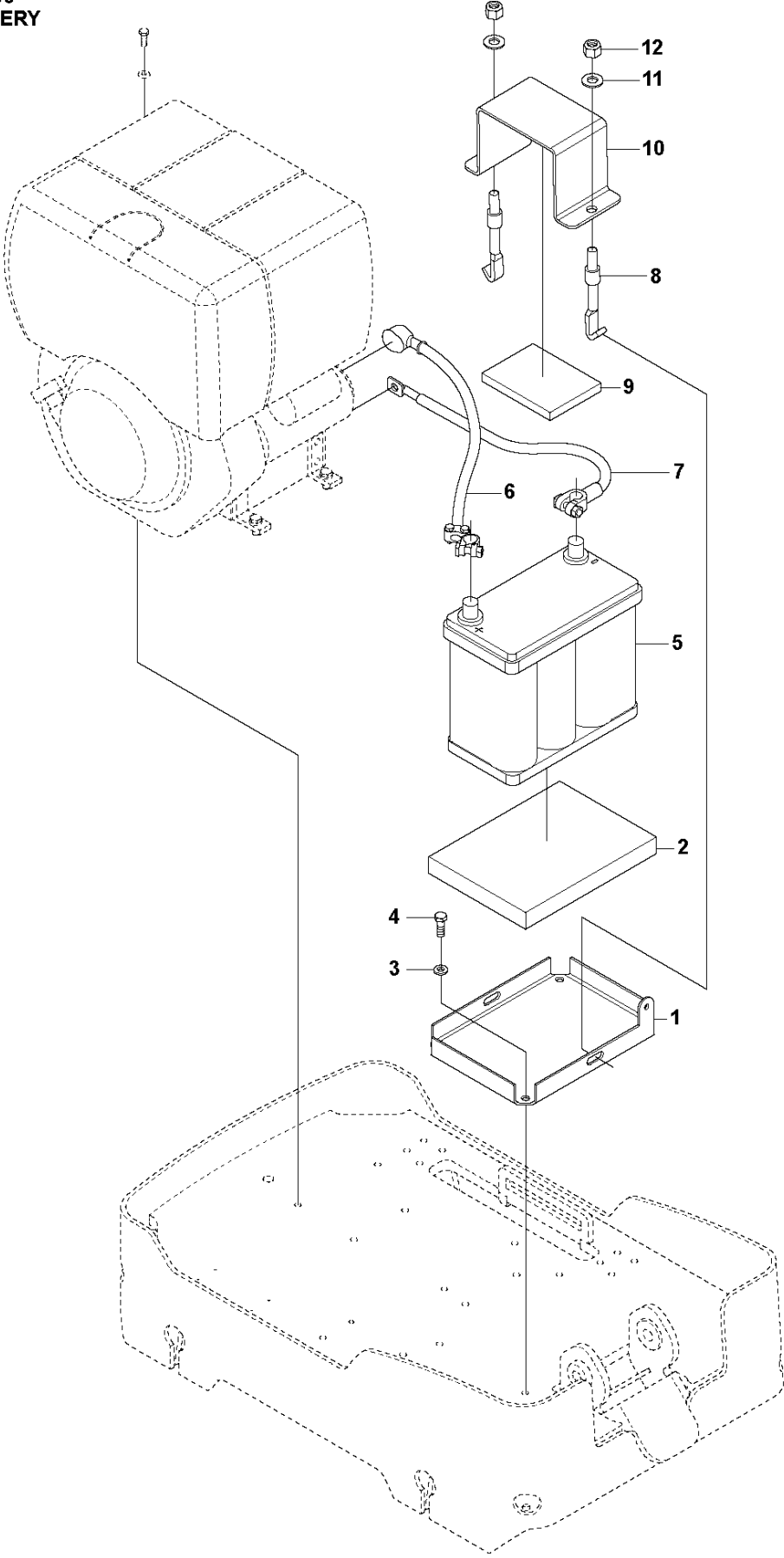
T LG 300
THROTTLE CONTROL - HATZ - EPA



THROTTLE CONTROL - HATZ - EPA LG 300, 967855303, 967855306, 967855304, 967855307,
 967855305, 967855301, 967855302, 2019-06

| Ref | Part No | Description | Remark | QTY | KIT |
|-----|--------------|------------------|--------------------|-----|-----|
| 1 | 594 17 59-01 | THROTTLE CONTROL | Complete | 1 | |
| 2 | 595 37 59-01 | SPACER | | 1 | |
| 3 | 595 13 22-01 | THROTTLE CABLE | | 1 | 1 |
| 4 | 594 35 21-01 | NIPPLE | | 1 | |
| 5 | 595 35 00-01 | SCREW | Hex screw M5x55 | 4 | |
| 6 | 595 03 32-01 | SCREW | M6 x 16 mm 8.8 A2K | 1 | |
| 7 | 595 03 65-01 | WASHER | | 1 | |
| 8 | 595 46 84-01 | CLAMP | | 1 | |

U LG 300
BATTERY

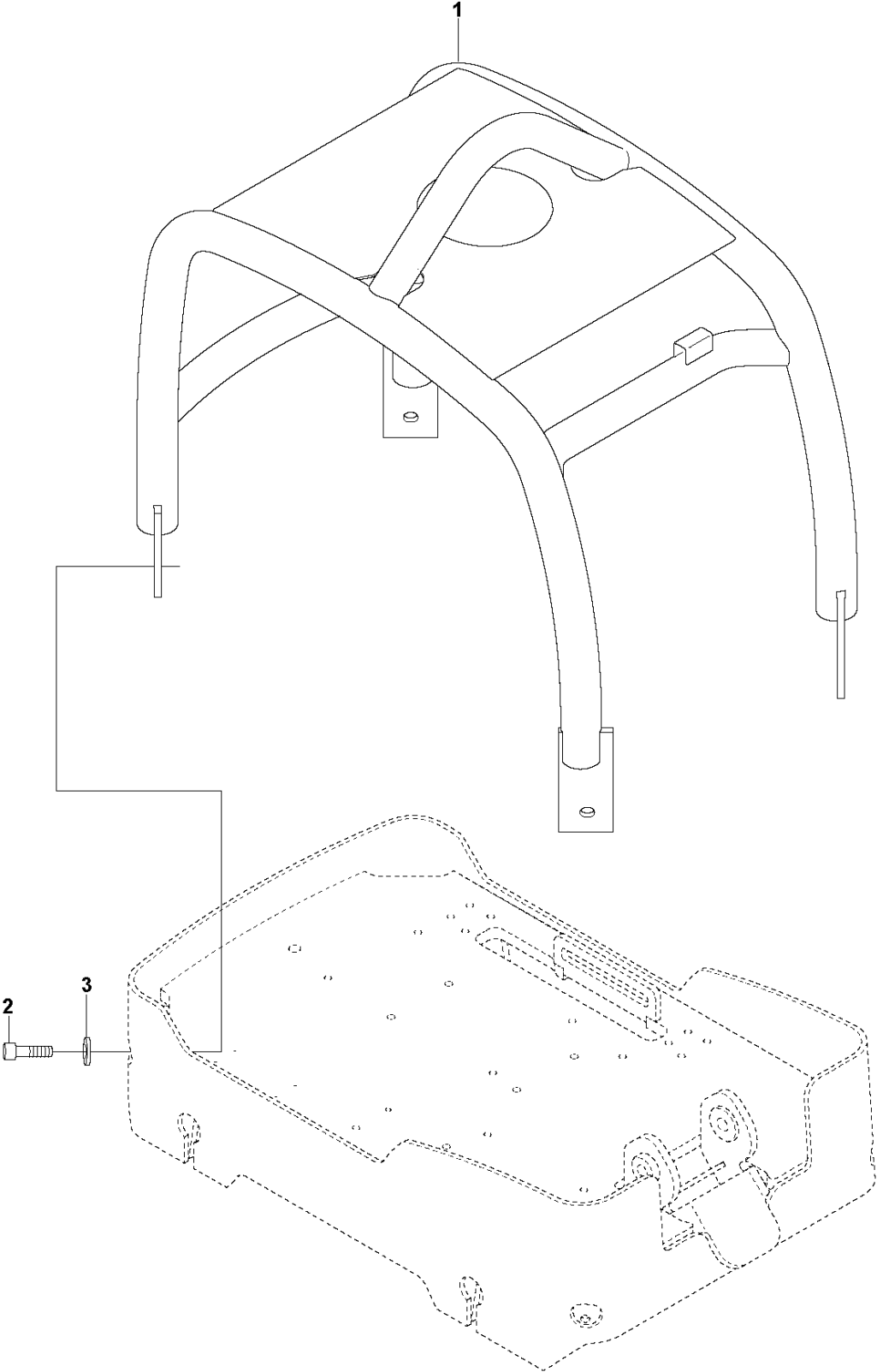


BATTERY LG 300, 967855303, 967855306, 967855304, 967855307, 967855305, 967855301, 967855302, 2019-06

| Ref | Part No | Description | Remark | QTY KIT |
|-----|--------------|-------------|---|---------|
| 1 | 595 17 22-01 | PLATE | | 1 |
| 2 | 595 17 19-01 | ABSORBER | | 1 |
| 3 | 595 03 66-01 | WASHER | 8.4 x16 x1.5 mm, 0.33 x 0.63 x 0.06 in. 300 HV | 4 |
| 4 | 594 11 79-01 | SCREW | M8 x 25 mm 8.8 A2K | 4 |
| 5 | 594 43 35-01 | BATTERY | | 1 |
| 6 | 595 18 43-01 | CABLE | Cable + | 1 |
| 7 | 595 18 40-01 | CABLE | Cable - | 1 |
| 8 | 594 48 41-01 | SCREW | | 2 |
| 9 | 594 43 49-01 | INSULATION | | 1 |
| 10 | 594 48 40-01 | HOLDER | | 1 |
| 11 | 595 06 68-01 | WASHER | 13 x 24 x 2 mm, 0.51 x 0.98 x 0.08 in. 300 HV | 2 |
| 12 | 595 11 27-01 | NUT | M12X20H 8.8 A3K | 2 |

FRAME - HONDA LG 300, 967855303, 967855306, 967855304, 967855307, 967855305, 967855301, 967855302, 2019-06

V LG 300
FRAME - HONDA



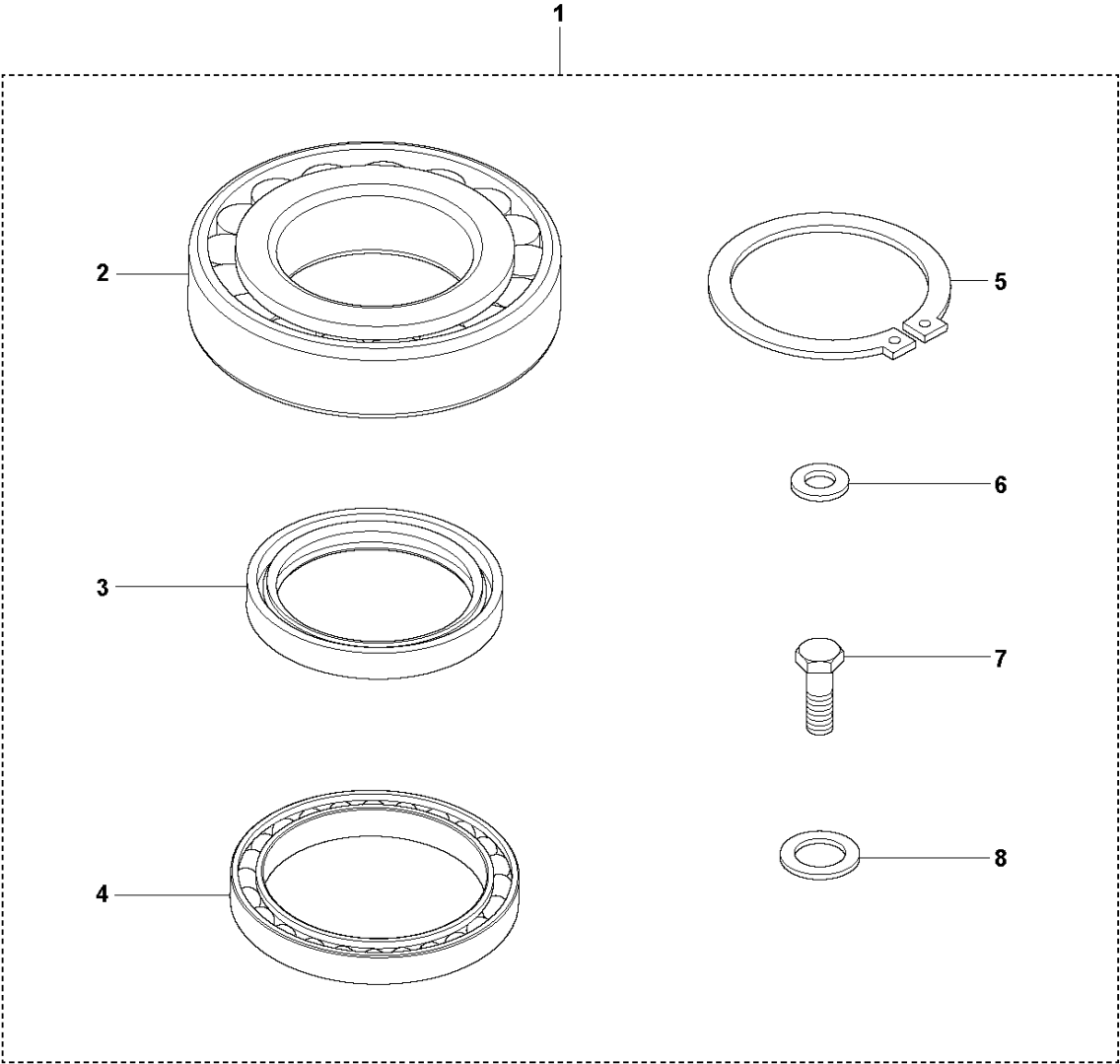
FRAME - HONDA LG 300, 967855303, 967855306, 967855304, 967855307, 967855305, 967855301, 967855302, 2019-06

| Ref | Part No | Description | Remark | QTY KIT |
|-----|--------------|-------------|---------------|---------|
| 1 | 595 27 62-01 | FRAME | | 1 |
| 2 | 595 17 96-01 | SCREW | M12x40 mm 8.8 | 4 |
| 3 | 595 06 65-01 | WASHER | Steel | 4 |

FRAME AND HOODS - HATZ LG 300, 967855303, 967855306, 967855304, 967855307, 967855305, 967855301, 967855302, 2019-06

| Ref | Part No | Description | Remark | QTY KIT |
|-----|--------------|-------------|--|---------|
| 1 | 594 14 66-01 | FRAME | | 1 |
| 2 | 594 53 49-01 | SCREW | M6 x 16 | 8 |
| 3 | 595 06 64-01 | SCREW | M6 x 16 | 6 |
| 4 | 595 03 65-01 | WASHER | 6.4 x 12 x 1.5 mm, 0.25 x 0.47 x 0.06 in. 300 HV | 1 |
| 5 | 594 53 51-01 | WASHER | 6 x 18 x 2 mm, 0.24 x 0.71 x 0.08 in. 300 HV | 5 |
| 6 | 594 43 72-01 | ROD | | 1 |
| 7 | 595 27 63-01 | HOOD | | 1 |
| 8 | 594 43 38-01 | CLIP | | 1 |
| 9 | 594 43 46-01 | ABSORBER | | 1 |
| 10 | 594 43 68-01 | HOLDER | | 1 |
| 11 | 595 99 58-01 | SCREW | M6 x 10 mm A2-70 | 3 |
| 12 | 594 52 35-01 | SCREW | K50 x 18 mm | 2 |
| 13 | 595 06 28-01 | WASHER | 25 mm Type S3 | 14 |
| 14 | 594 44 68-01 | HINGE | | 2 |
| 15 | 595 03 32-01 | SCREW | M6 x 16 mm A2-70 | 8 |
| 16 | 594 47 86-01 | ABSORBER | | 1 |
| 17 | 595 27 64-01 | HOOD | | 1 |
| 18 | 594 43 47-01 | ABSORBER | | 1 |
| 19 | 594 43 48-01 | ABSORBER | | 1 |
| 20 | 595 17 18-01 | HOLDER | | 1 |
| 21 | 595 18 83-01 | CLAMP | | 2 |
| 22 | 595 10 98-01 | SCREW | M6 x 16 mm 8.8 A2K | 6 |
| 23 | 595 17 63-01 | BRACKET | | 1 |
| 24 | 595 03 65-01 | WASHER | 6.4 x 12 x 1.5 mm, 0.25 x 0.47 x 0.06 in. 300 HV | 4 |
| 25 | 595 11 26-01 | NUT | M6 ISO7040 | 2 |
| 26 | 594 11 81-01 | SCREW | M8 x 60 mm 8.8 A2K | 4 |
| 27 | 595 12 03-01 | COVER | | 1 |
| 28 | 594 52 35-01 | SCREW | K50 x 18 mm | 4 |
| 29 | 595 03 66-01 | WASHER | 8.4 x 16 x 1.5 mm, 0.33 x 0.63 x 0.06 in. 300 HV | 4 |
| 30 | 594 12 09-01 | BOLT | M12 x 40 mm 8.8 A3K | 4 |
| 31 | 595 11 28-01 | WASHER | 13 x 30 x 4 mm, 0.51 x 1.18 x 0.16 in. 300 HV | 4 |

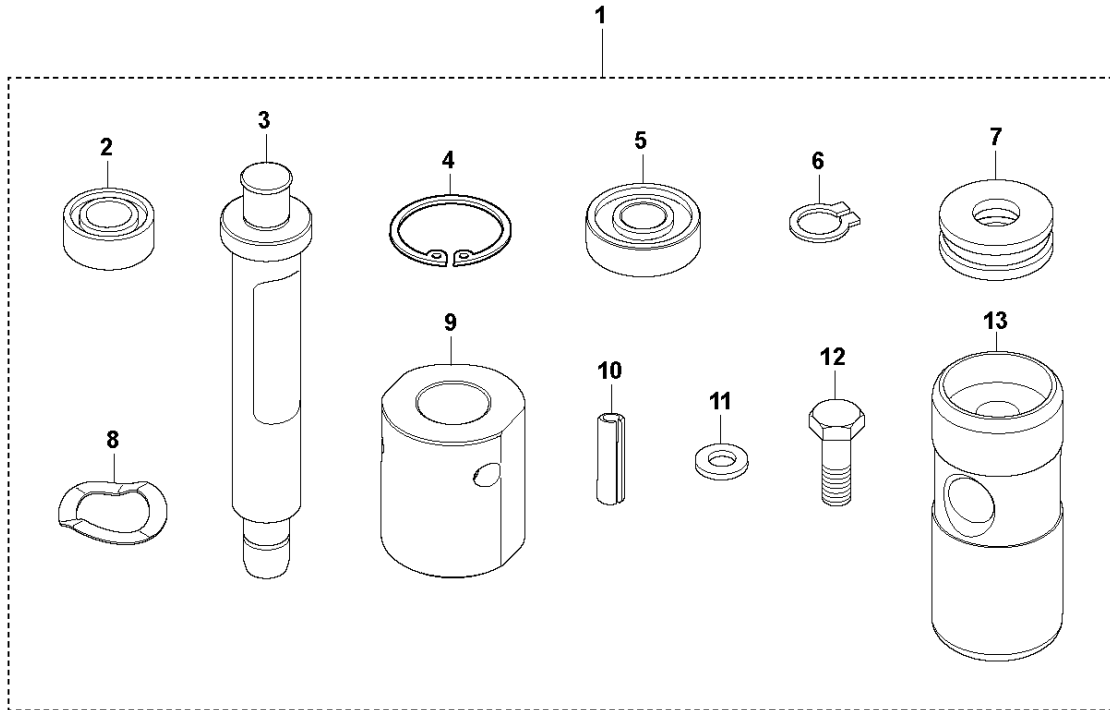
X LG 300
ECCENTRIC ELEMENT REPAIR KIT



ECCENTRIC ELEMENT REPAIR KIT LG 300, 967855303, 967855306, 967855304, 967855307,
 967855305, 967855301, 967855302, 2019-06

| Ref | Part No | Description | Remark | QTY KIT |
|-----|--------------|----------------|---|---------|
| 1 | 594 19 67-01 | REPAIR KIT | Eccentric element repair kit | 1 |
| 2 | 594 53 11-01 | ROLLER BEARING | | 4 |
| 3 | 594 54 74-01 | SEALING | | 1 |
| 4 | 594 55 05-01 | BALL BEARING | | 2 |
| 5 | 595 11 41-01 | CIRCLIP | | 4 |
| 6 | 595 03 65-01 | WASHER | 6.4 x 12 x 1.5 mm, 0.25 x 0.47 x 0.06 in. 300 HV | 16 |
| 7 | 595 10 98-01 | SCREW | M6 x 20 mm 8.8 A2K | 16 |
| 8 | 594 51 21-01 | WASHER | Copper washer, 16.7 x 24 x 1.5 mm, 0.66 x 0.94 x 0.06 in. TYPE A, M16 | 1 |

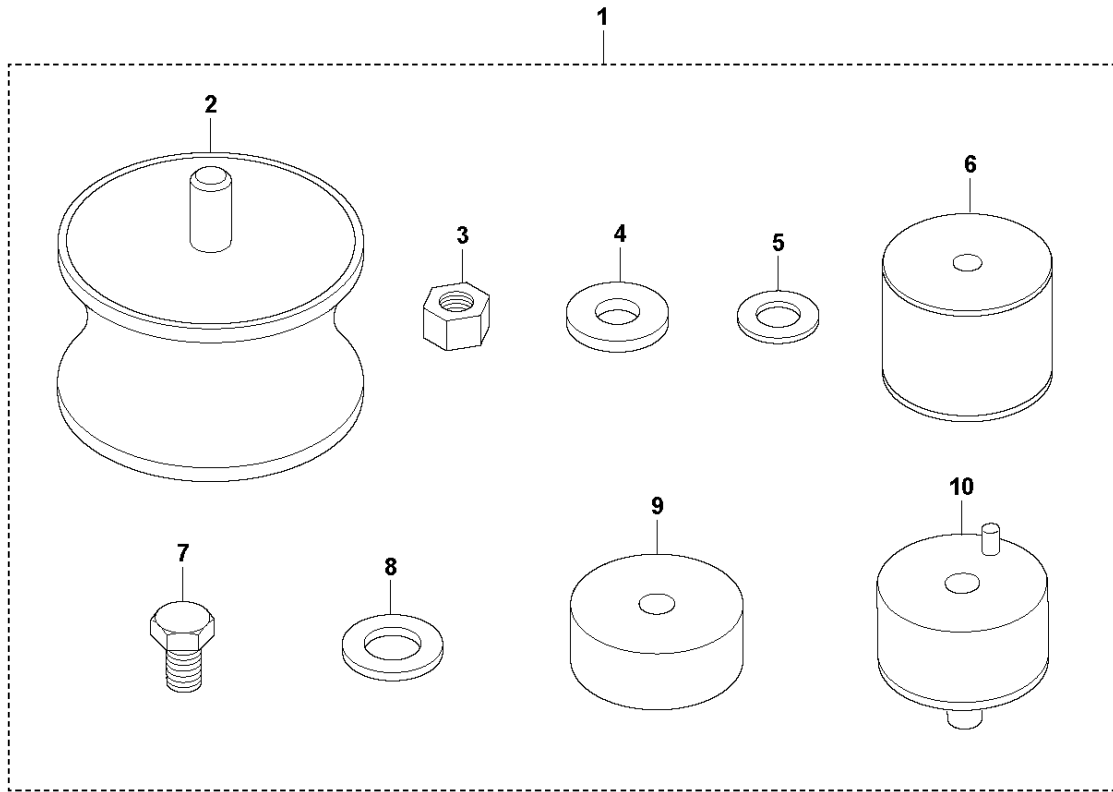
Y LG 300
FORWARD AND REVERSE PISTON REPAIR KIT



FORWARD & REVERSE PISTON REPAIR KIT LG 300, 967855303, 967855306, 967855304,
 967855307, 967855305, 967855301, 967855302, 2019-06

| Ref | Part No | Description | Remark | QTY KIT | |
|-----|--------------|---------------|---|---------|---|
| 1 | 594 19 65-01 | REPAIR KIT | Forward and reverse piston repair kit | 1 | 1 |
| 2 | 594 33 22-01 | SEALING | | 1 | 1 |
| 3 | 594 64 33-01 | PISTON ROD | | 1 | 1 |
| 4 | 594 26 64-01 | RING | Retainer ring | 1 | 1 |
| 5 | 594 64 75-01 | BALL BEARING | Ball, radial | 1 | 1 |
| 6 | 594 26 56-01 | RING | | 1 | 1 |
| 7 | 594 64 76-01 | BALL BEARING | Trust ball | 1 | 1 |
| 8 | 594 64 77-01 | SPRING WASHER | Spring | 1 | 1 |
| 9 | 594 64 50-01 | CAP | | 1 | 1 |
| 10 | 595 03 11-01 | PIN | | 1 | 1 |
| 11 | 595 03 65-01 | WASHER | 6.4 x 12 x 1.5 mm 0.25 x 0.47 x 0.06 in. 300 HV | 4 | 1 |
| 12 | 595 10 98-01 | SCREW | M6 x 20 mm 8.8 A2K | 4 | 1 |
| 13 | 594 64 35-01 | PISTON | | 1 | 1 |

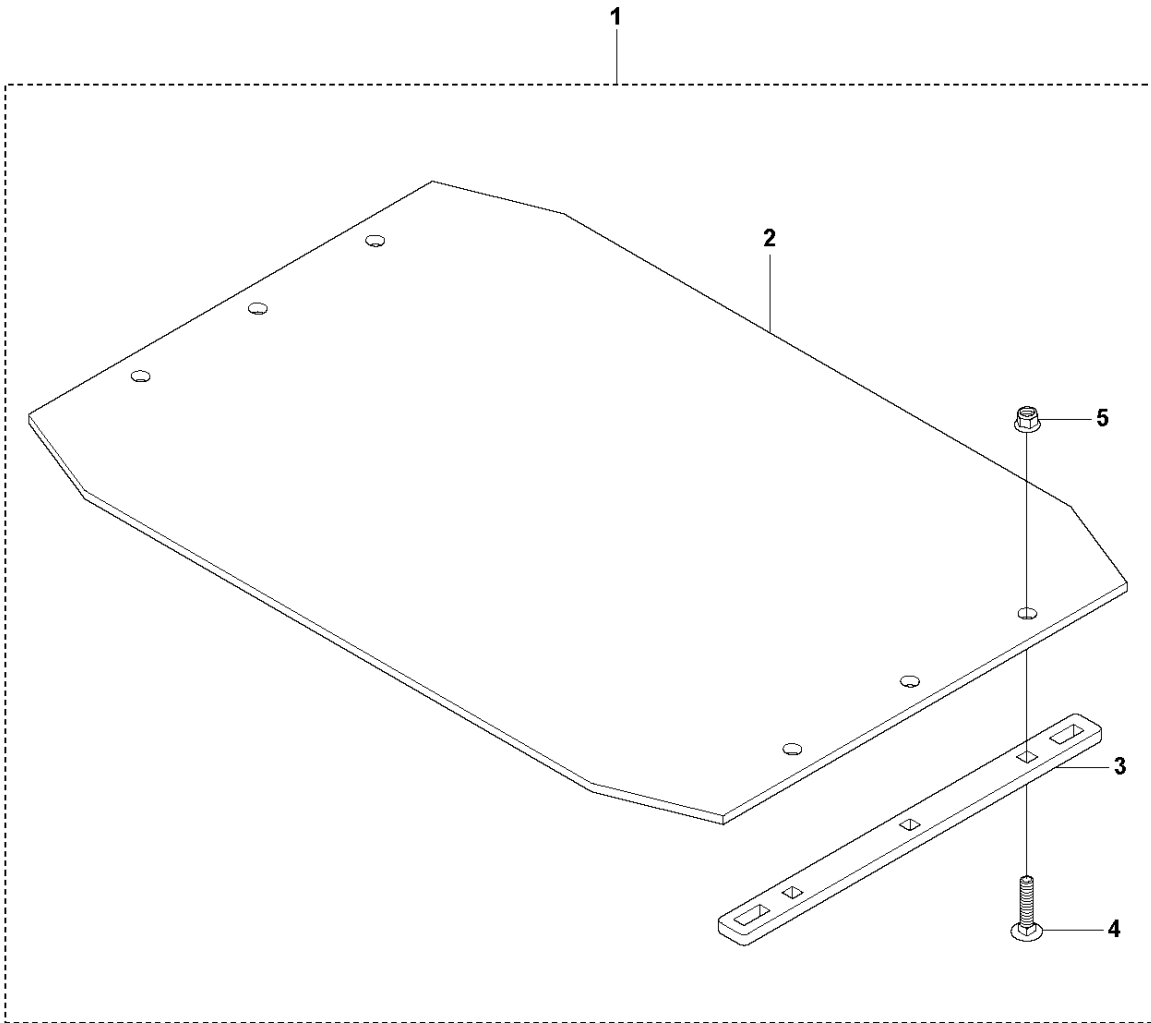
Z LG 300
SHOCK ABSORBER REPAIR KIT



SHOCK ABSORBER REPAIR KIT LG 300, 967855303, 967855306, 967855304, 967855307,
967855305, 967855301, 967855302, 2019-06

| Ref | Part No | Description | Remark | QTY KIT | |
|-----|--------------|-------------|--|---------|---|
| 1 | 594 19 62-01 | REPAIR KIT | Shock absorber repair kit | 1 | |
| 2 | 594 32 70-01 | ABSORBER | | 4 | 1 |
| 3 | 595 35 18-01 | NUT | M12 A3K | 8 | 1 |
| 4 | 595 11 28-01 | WASHER | 13 x 30 x 4 mm, 0.51 x 1.18 x 0.16 in. 300 HV | 4 | 1 |
| 5 | 595 06 68-01 | WASHER | 13 x 24 x 2 mm, 0.51 x 0.94 x 0.08 in. 300 HV | 4 | 1 |
| 6 | 594 14 75-01 | ABSORBER | | 4 | 1 |
| 7 | 595 34 46-01 | SCREW | M10 x 16 mm 8.8 A3K | 4 | 1 |
| 8 | 594 74 74-01 | WASHER | 10.5 x 22 x 2 mm, 0.41 x 0.87 x 0.08 in. 300 HV | 4 | 1 |
| 9 | 594 51 83-01 | RADIATOR | | 1 | 1 |
| 10 | 594 46 27-01 | ABSORBER | | 1 | 1 |

AA LG 300
BLOCK PAVING PLATE 500 MM (19.7")



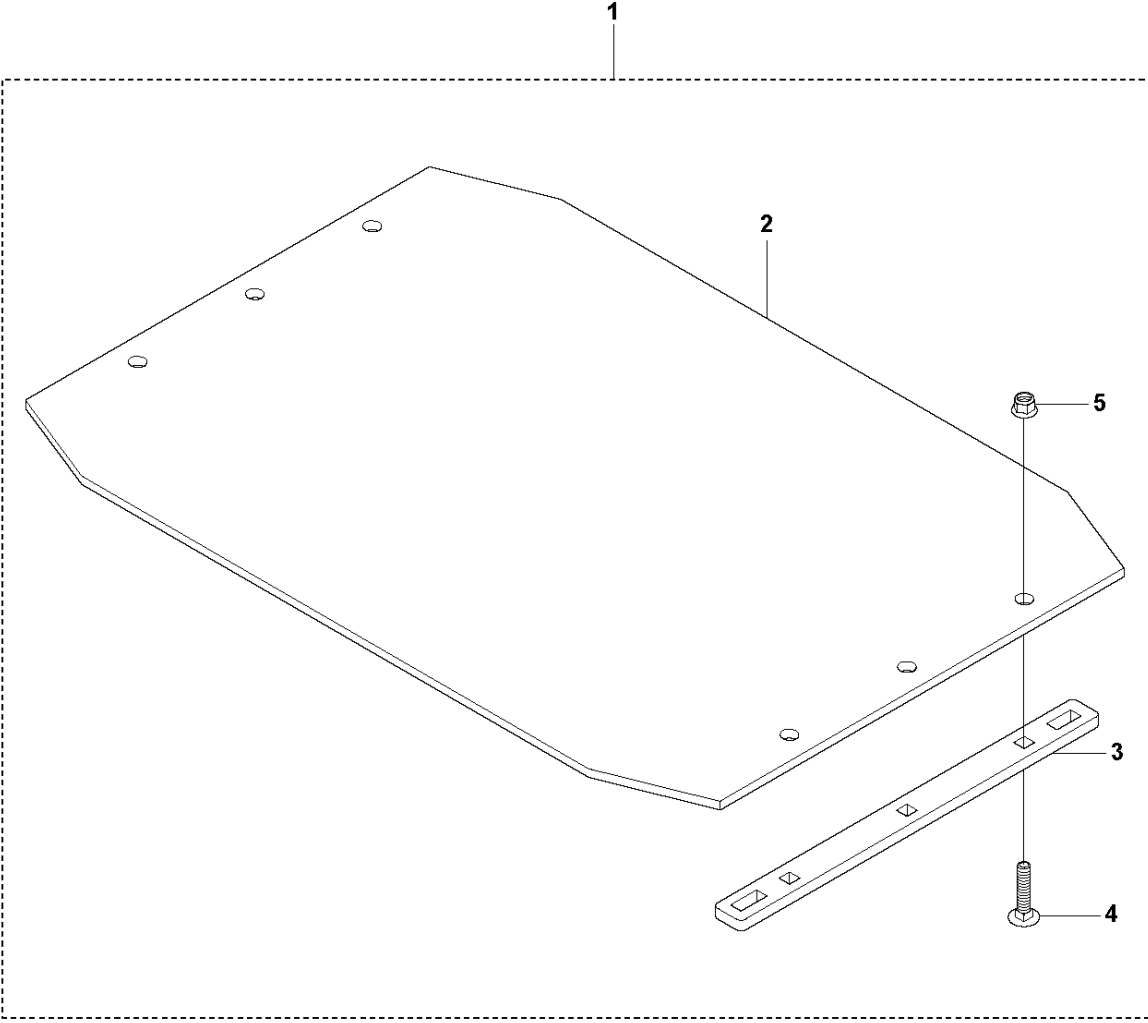
BLOCK PAVING PLATE KIT 500 MM (19.7")

LG 300, 967855303, 967855306, 967855304,

967855307, 967855305, 967855301, 967855302, 2019-06

| Ref | Part No | Description | Remark | QTY KIT | |
|-----|--------------|-------------|------------------------------------|---------|---|
| 1 | 594 83 02-01 | BLOCK | 500 mm Block Paving kit (Optional) | 1 | |
| 2 | 595 17 66-01 | PLATE | Polyurethane plate | 1 | 1 |
| 3 | 594 44 73-01 | BRACKET | | 2 | 1 |
| 4 | 595 06 72-01 | SCREW | | 4 | 1 |
| 5 | 595 06 47-01 | LOCK NUT | M10 x 1.5 mm A3K | 4 | 1 |

AB LG 300
BLOCK PAVING PLATE 600 MM (23.6")



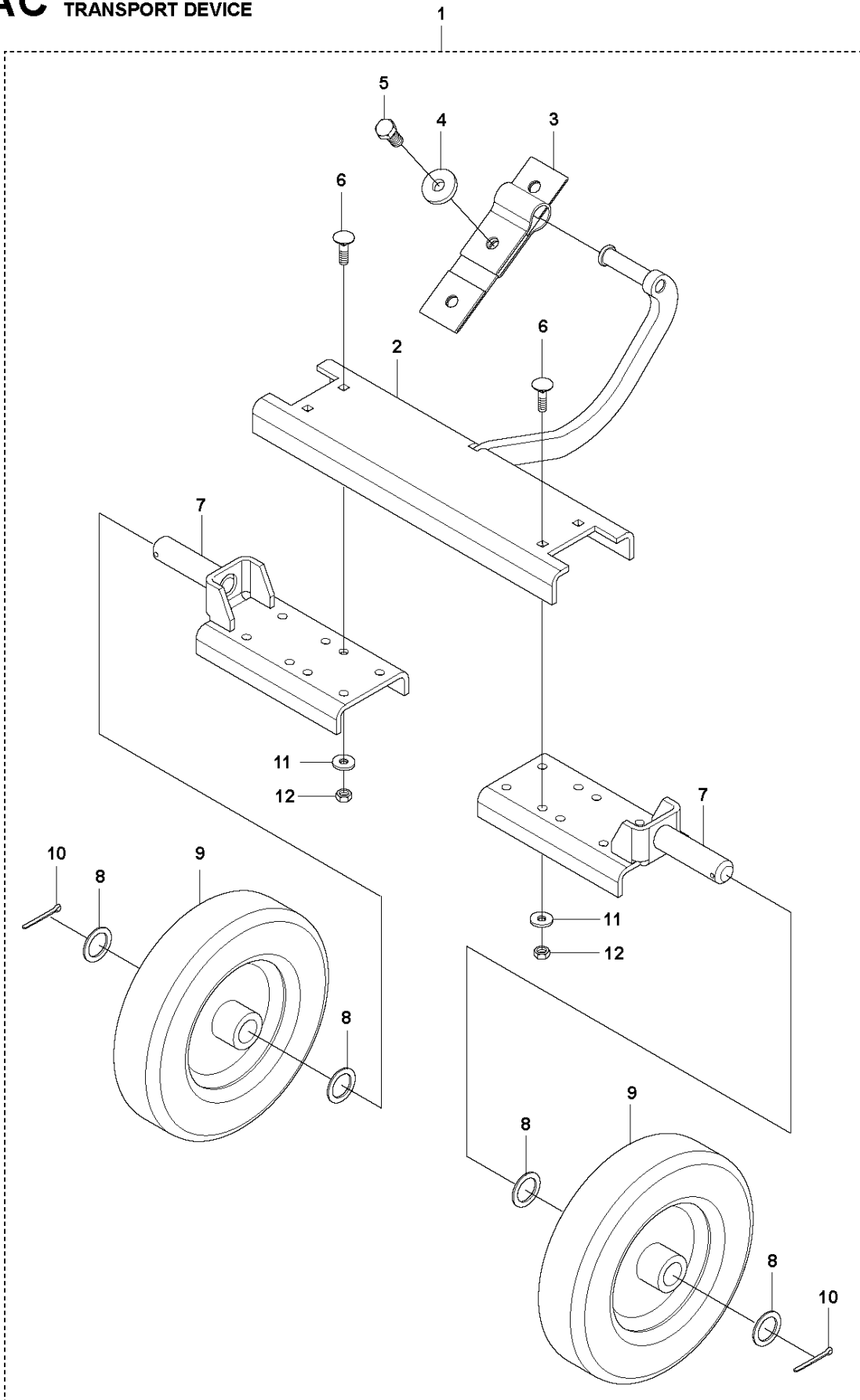
BLOCK PAVING PLATE KIT 600 MM (23.6")

LG 300, 967855303, 967855306, 967855304,

967855307, 967855305, 967855301, 967855302, 2019-06

| Ref | Part No | Description | Remark | QTY KIT | |
|-----|--------------|-------------|------------------------------------|---------|---|
| 1 | 594 83 03-01 | BLOCK | 600 mm Block Paving kit (Optional) | 1 | |
| 2 | 595 17 67-01 | PLATE | Polyurethane plate | 1 | 1 |
| 3 | 594 44 73-01 | BRACKET | | 2 | 1 |
| 4 | 595 06 72-01 | SCREW | | 4 | 1 |
| 5 | 595 06 47-01 | LOCK NUT | M10 x 1.5 mm A3K | 4 | 1 |

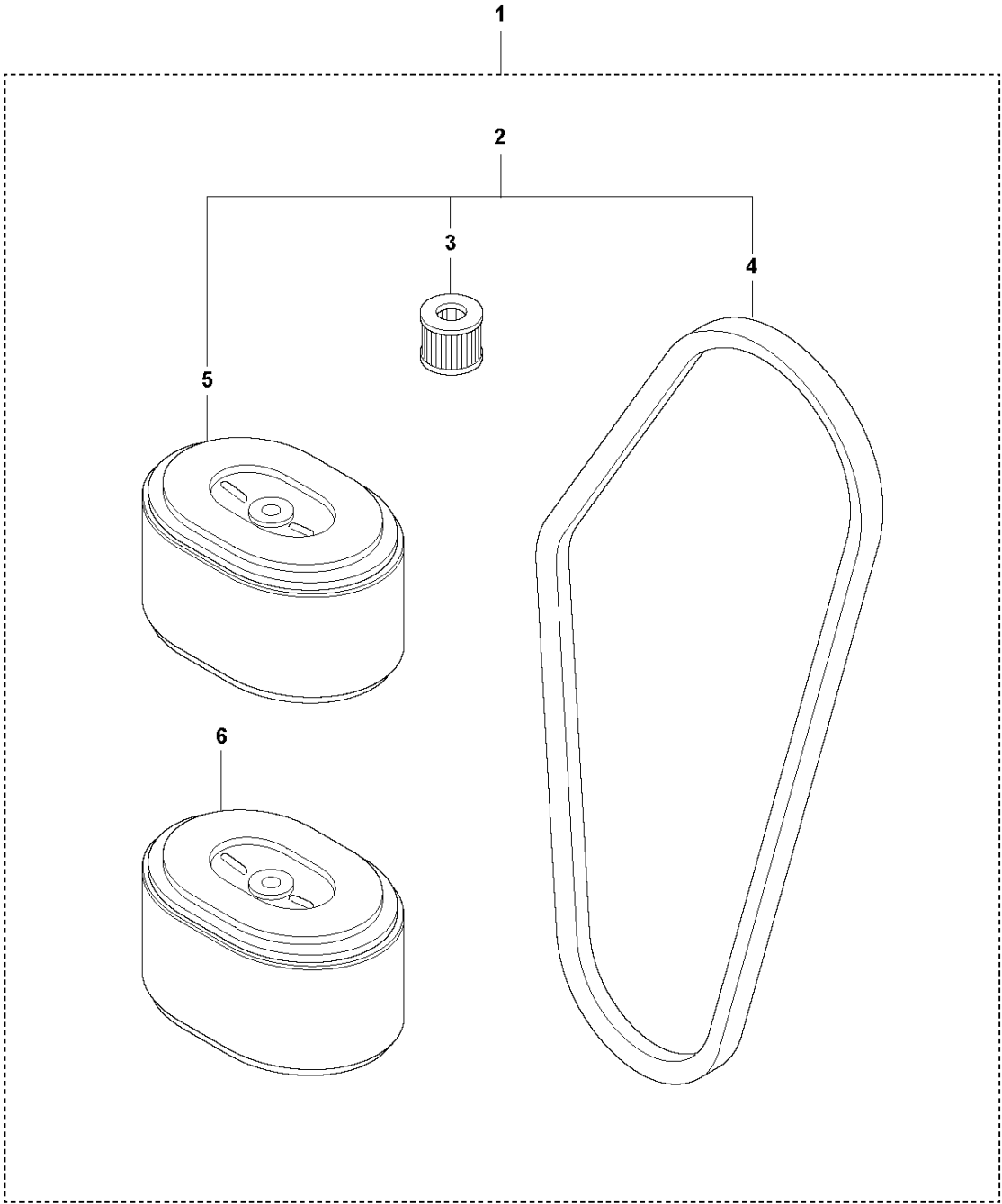
AC LG 300
TRANSPORT DEVICE



TRANSPORT DEVICE LG 300, 967855303, 967855306, 967855304, 967855307, 967855305,
967855301, 967855302, 2019-06

| Ref | Part No | Description | Remark | QTY KIT | |
|-----|--------------|-------------|---|---------|---|
| 1 | 594 83 05-01 | UNIT | Transport device | 1 | |
| 2 | 594 48 64-01 | UNIT | | 1 | 1 |
| 3 | 594 14 36-01 | STRAP | Strap | 1 | 1 |
| 4 | 594 12 40-01 | WASHER | | 1 | 1 |
| 5 | 595 34 53-01 | SCREW | | 1 | 1 |
| 6 | 595 11 19-01 | SCREW | Cup square neck bolt , Screw, M8 x 30 mm 8.8 | 4 | 1 |
| 7 | 594 48 66-01 | BRACKET | | 2 | 1 |
| 8 | 594 31 62-01 | WASHER | | 4 | 1 |
| 9 | 594 45 58-01 | WHEEL | | 2 | 1 |
| 10 | 595 34 35-01 | PIN | | 2 | 1 |
| 11 | 594 12 34-01 | WASHER | 8.4 x 16 x 1.5 mm, 0.33 x 0.63 x 0.06 in. 300 HV | 4 | 1 |
| 12 | 595 03 57-01 | NUT | | 4 | 1 |

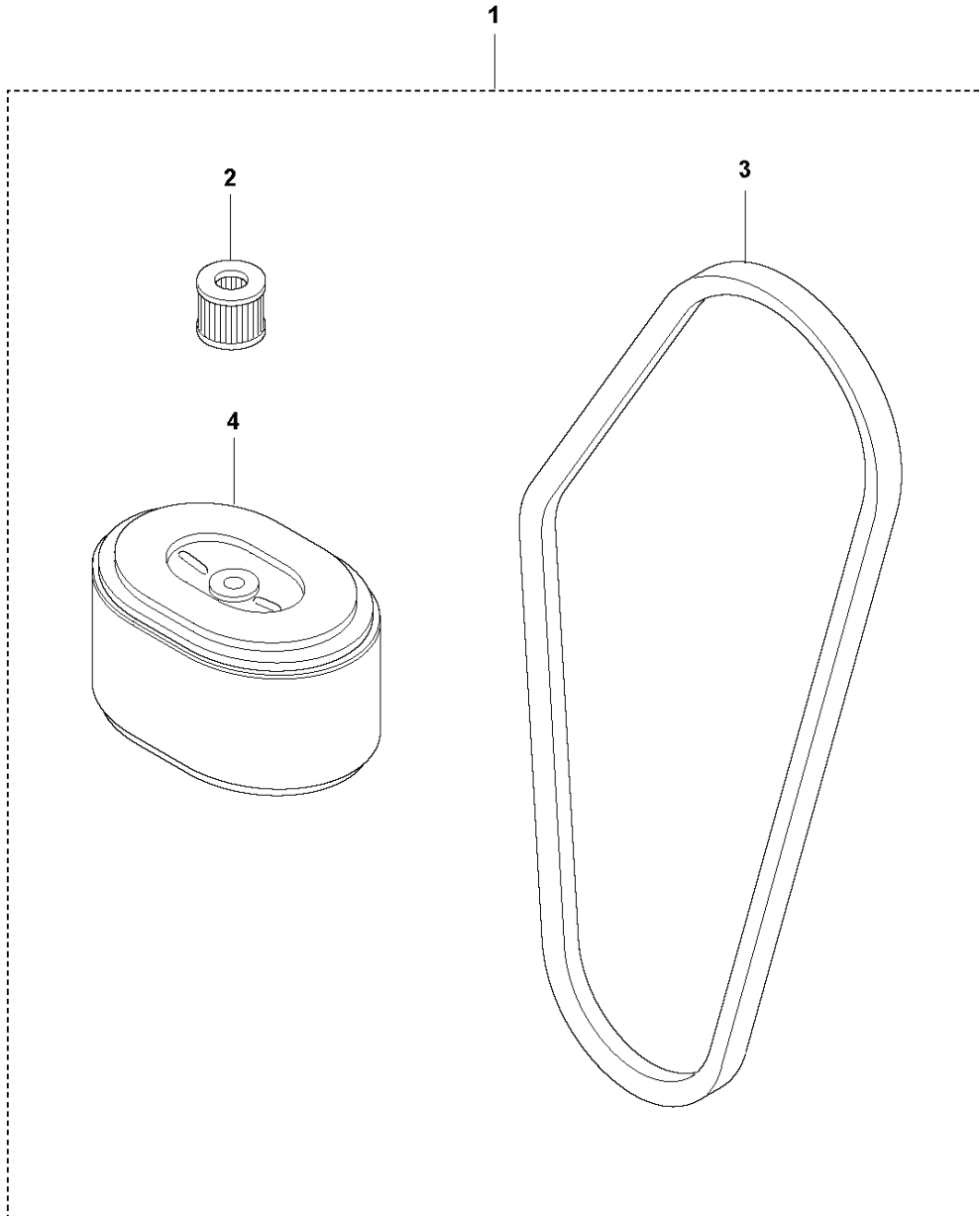
AD LG300
START UP KIT - HONDA



START UP KIT - HONDA LG 300, 967855303, 967855306, 967855304, 967855307, 967855305, 967855301, 967855302, 2019-06

| Ref | Part No | Description | Remark | QTY KIT | |
|-----|--------------|-------------|---|---------|------|
| 1 | 595 38 54-01 | SERVICE KIT | Start up kit - Honda | 1 | |
| 2 | 595 38 47-01 | SERVICE KIT | 12 months / 500 hours service kit - Hatz | 1 | 1 |
| 3 | 594 44 55-01 | AIR FILTER | | 1 | 1, 2 |
| 4 | 594 33 27-01 | BELT | | 1 | 1, 2 |
| 5 | 594 57 51-01 | AIR FILTER | | 1 | 1, 2 |
| 6 | 594 57 51-01 | AIR FILTER | | 1 | 1 |

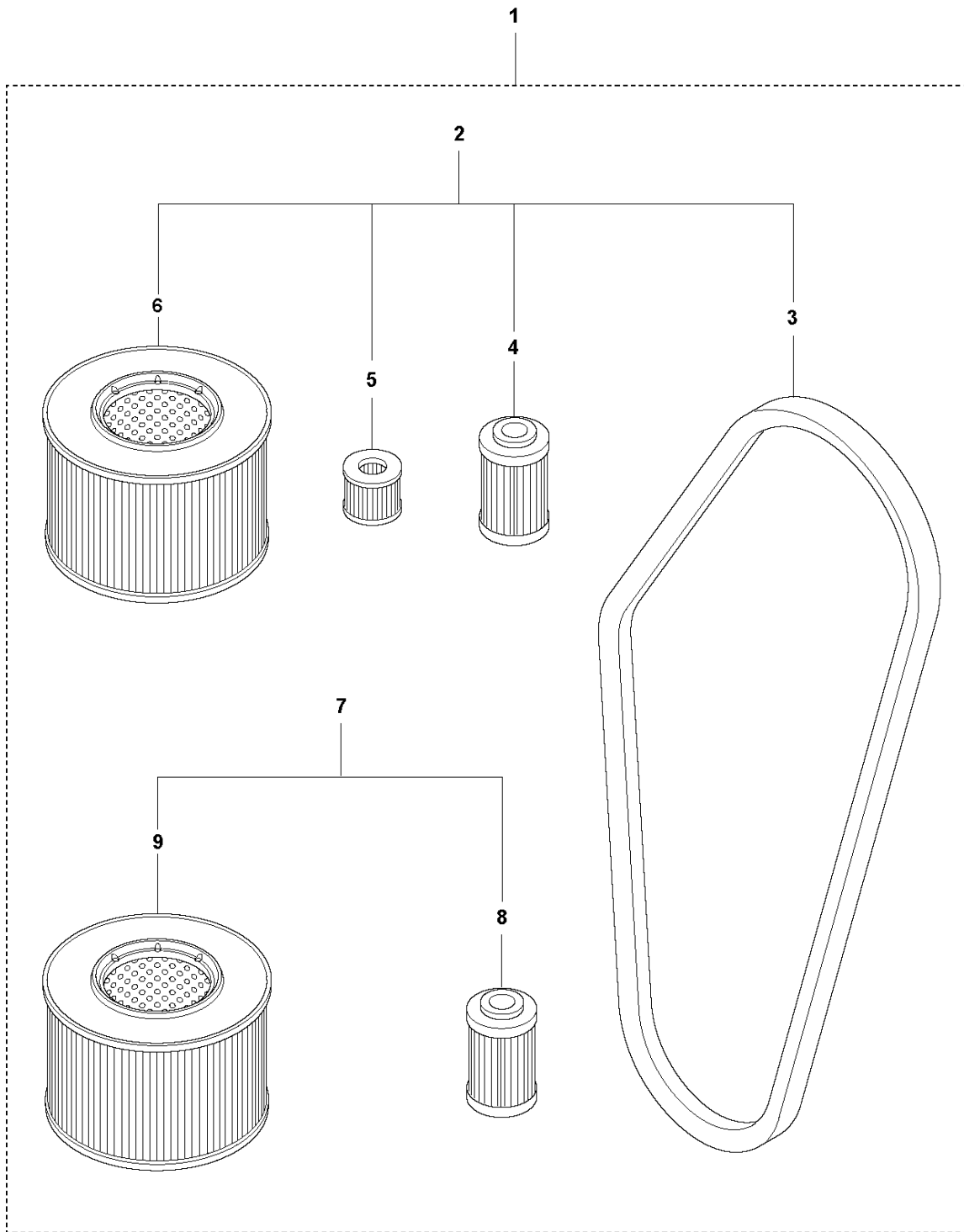
AE LG300
12 MONTHS SERVICE KIT / 500 HOURS SERVICE KIT - HONDA



12 MONTHS / 500 HOURS SERVICE KIT - HONDA LG 300, 967855303, 967855306, 967855304,
967855307, 967855305, 967855301, 967855302, 2019-06

| Ref | Part No | Description | Remark | QTY | KIT |
|-----|--------------|-------------|--|-----|-----|
| 1 | 595 38 47-01 | SERVICE KIT | 12 months / 500 hours service kit - Honda | 1 | |
| 2 | 594 44 55-01 | AIR FILTER | | 1 | 1 |
| 3 | 594 33 27-01 | BELT | | 1 | 1 |
| 4 | 594 57 51-01 | AIR FILTER | | 1 | 1 |

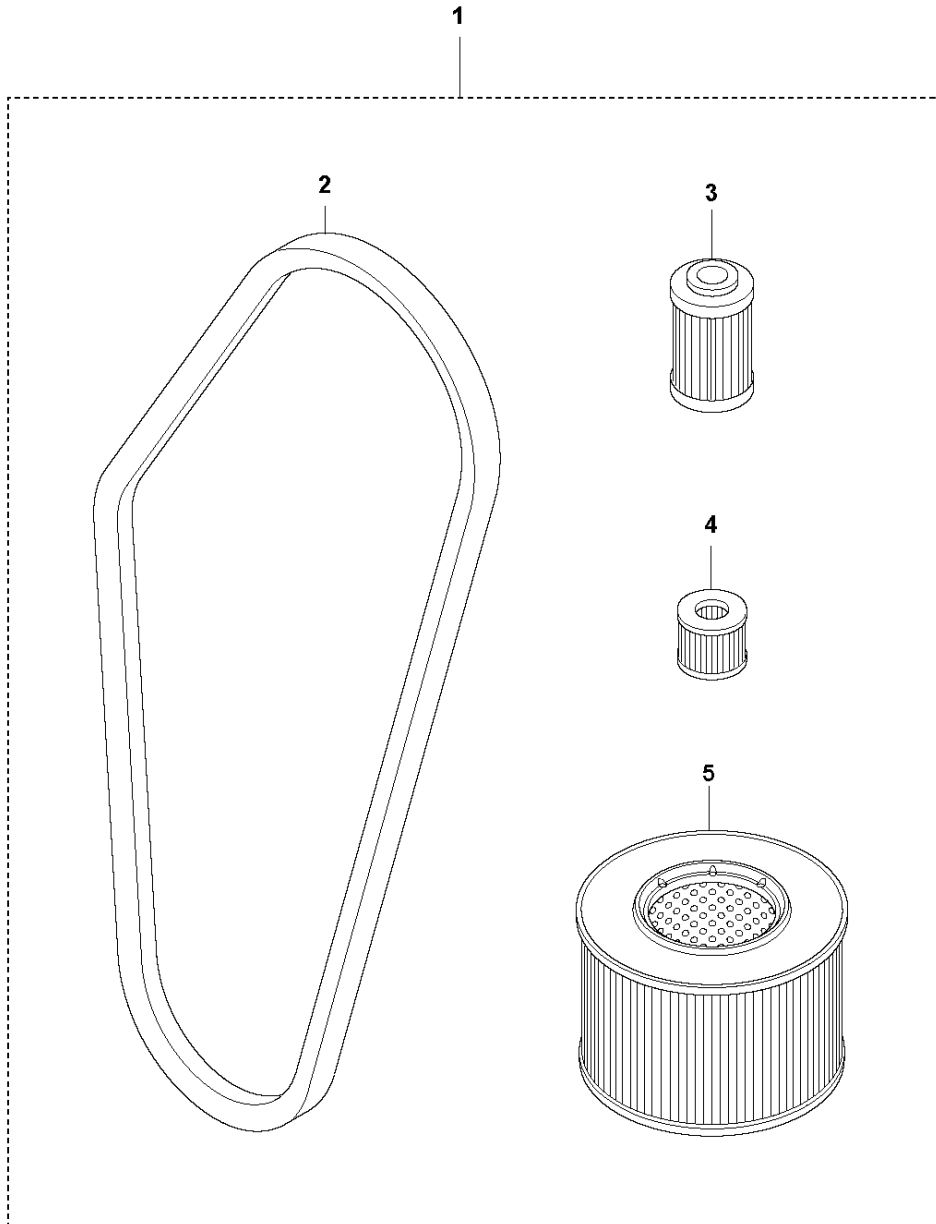
AF LG 300
START UP KIT - HATZ



START UP KIT - HATZ LG 300, 967855303, 967855306, 967855304, 967855307, 967855305,
 967855301, 967855302, 2019-06

| Ref | Part No | Description | Remark | QTY KIT | |
|-----|--------------|-------------|---|---------|------|
| 1 | 595 13 29-01 | SERVICE KIT | Start up kit - Hatz | 1 | |
| 2 | 594 21 70-01 | SERVICE KIT | 12 months / 500 hours service kit - Hatz | 1 | 1 |
| 3 | 594 33 18-01 | BELT | | 1 | 1, 2 |
| 4 | 594 59 51-01 | FUEL FILTER | | 1 | 1, 2 |
| 5 | 594 44 55-01 | AIR FILTER | | 1 | 1, 2 |
| 6 | 594 57 11-01 | FILTER | | 1 | 1, 2 |
| 7 | 594 21 46-01 | SERVICE KIT | 6 months / 250 hours service kit - Hatz | 1 | 1 |
| 8 | 594 59 51-01 | FUEL FILTER | | 1 | 1, 7 |
| 9 | 594 57 11-01 | FILTER | | 1 | 1, 7 |

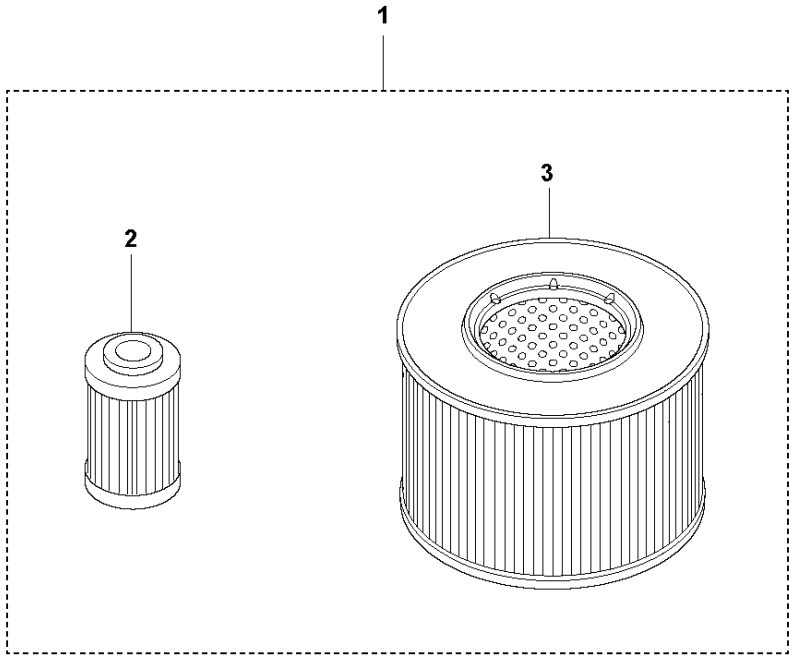
AG LG 300
12 MONTHS 500 HOURS SERVICE KIT - HATZ



12 MONTHS / 500 HOURS SERVICE KIT - HATZ LG 300, 967855303, 967855306, 967855304,
 967855307, 967855305, 967855301, 967855302, 2019-06

| Ref | Part No | Description | Remark | QTY KIT | |
|-----|--------------|-------------|---|---------|---|
| 1 | 594 21 70-01 | SERVICE KIT | 12 months / 500 hours service kit - Hatz | 1 | |
| 2 | 594 33 18-01 | BELT | | 1 | 1 |
| 3 | 594 59 51-01 | FUEL FILTER | | 1 | 1 |
| 4 | 594 44 55-01 | AIR FILTER | | 1 | 1 |
| 5 | 594 57 11-01 | FILTER | | 1 | 1 |

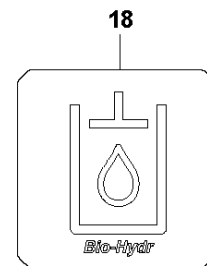
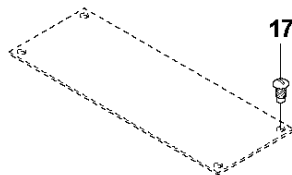
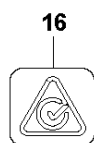
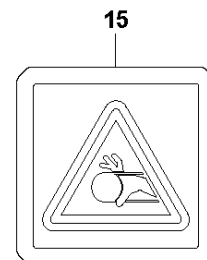
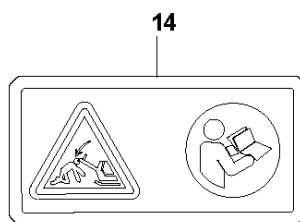
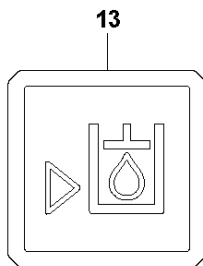
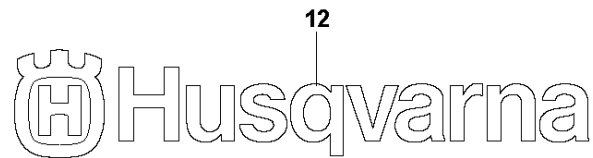
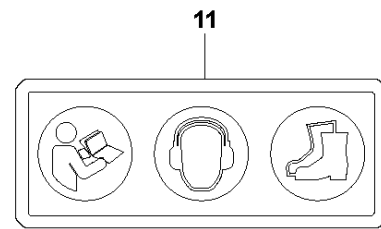
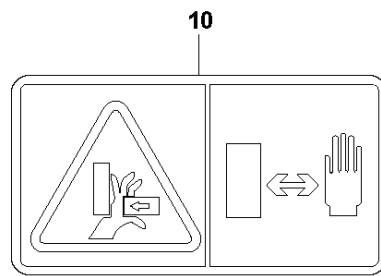
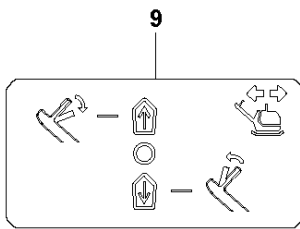
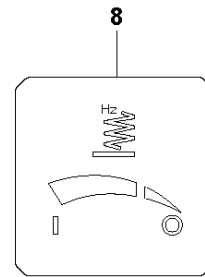
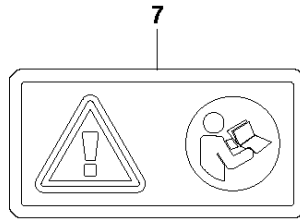
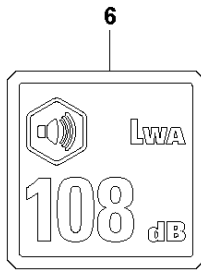
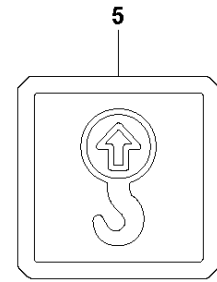
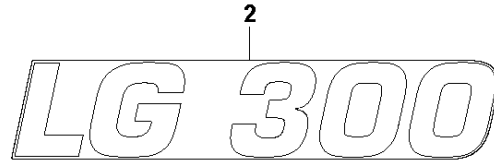
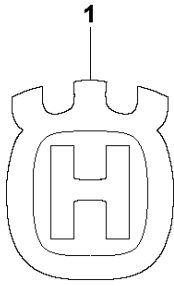
AH LG 300
6 MONTHS / EVERY 250 HOURS KIT - HATZ



6 MONTHS / 250 HOURS SERVICE KIT - HATZ LG 300, 967855303, 967855306, 967855304,
967855307, 967855305, 967855301, 967855302, 2019-06

| Ref | Part No | Description | Remark | QTY KIT | |
|-----|--------------|-------------|--|---------|---|
| 1 | 594 21 46-01 | SERVICE KIT | 6 months / 250 hours service kit - Hatz | 1 | |
| 2 | 594 59 51-01 | FUEL FILTER | | 1 | 1 |
| 3 | 594 57 11-01 | FILTER | | 1 | 1 |

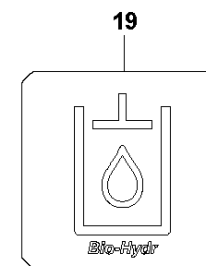
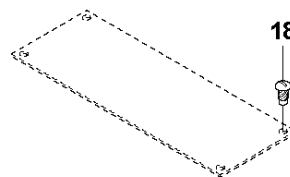
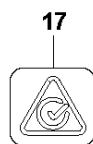
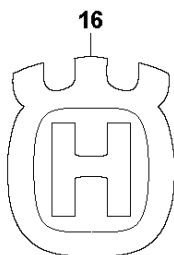
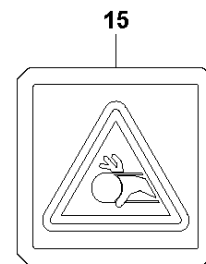
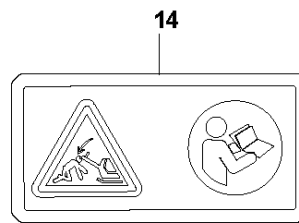
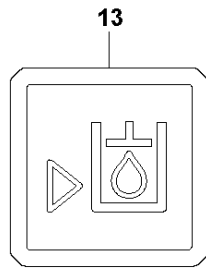
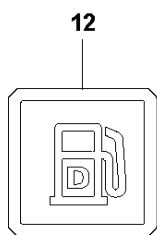
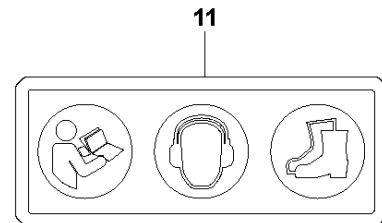
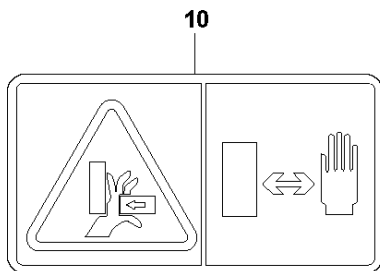
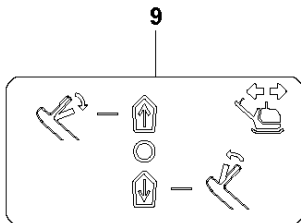
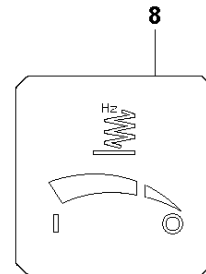
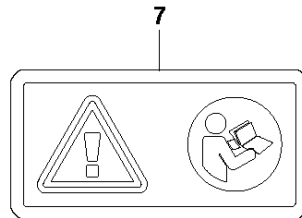
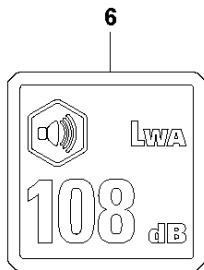
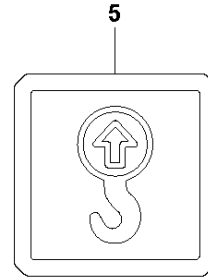
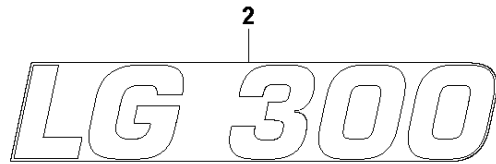
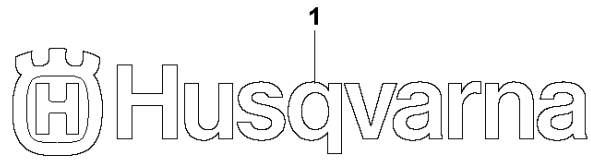
AQ LG 300
DECALS - HONDA



DECALS - HONDA LG 300, 967855303, 967855306, 967855304, 967855307, 967855305,
 967855301, 967855302, 2019-06

| Ref | Part No | Description | Remark | QTY KIT |
|-----|--------------|-------------|----------------------|---------|
| 1 | 595 31 98-02 | DECAL | Husqvarna crown | 1 |
| 2 | 595 09 54-01 | DECAL | | 1 |
| 5 | 594 66 09-01 | LABEL | | 2 |
| 6 | 595 21 63-01 | DECAL | | 1 |
| 7 | 594 86 97-01 | LABEL | | 1 |
| 8 | 594 35 39-01 | DECAL | | 1 |
| 9 | 594 66 07-01 | LABEL | | 2 |
| 10 | 594 53 64-01 | DECAL | | 1 |
| 11 | 594 65 96-01 | LABEL | | 1 |
| 12 | 577 46 90-01 | DECAL | Husqvarna logo | 1 |
| 13 | 595 51 28-01 | LABEL | | 1 |
| 14 | 594 66 06-01 | LABEL | | 1 |
| 15 | 594 66 08-01 | LABEL | | 1 |
| 16 | 596 28 02-01 | DECAL | Compliance RCM Decal | 1 |
| 17 | 595 35 10-01 | SCREW | | 4 |
| 18 | 595 46 94-01 | DECAL | | 1 |

AR LG 300
DECALS - HATZ



DECALS - HATZ LG 300, 967855303, 967855306, 967855304, 967855307, 967855305, 967855301, 967855302, 2019-06

| Ref | Part No | Description | Remark | QTY KIT |
|-----|--------------|-------------|----------------------|---------|
| 1 | 577 46 90-01 | DECAL | Husqvarna logo | 1 |
| 2 | 595 09 54-01 | DECAL | | 2 |
| 5 | 594 66 09-01 | LABEL | | 2 |
| 6 | 595 21 63-01 | DECAL | | 1 |
| 7 | 594 86 97-01 | LABEL | | 1 |
| 8 | 594 35 39-01 | DECAL | | 1 |
| 9 | 594 66 07-01 | LABEL | | 2 |
| 10 | 594 53 64-01 | DECAL | | 1 |
| 11 | 594 65 96-01 | LABEL | | 1 |
| 12 | 594 66 16-01 | LABEL | | 1 |
| 13 | 595 51 28-01 | LABEL | | 1 |
| 14 | 594 66 06-01 | LABEL | | 1 |
| 15 | 594 66 08-01 | LABEL | | 1 |
| 16 | 595 31 98-02 | DECAL | Husqvarna crown | 1 |
| 17 | 596 28 02-01 | DECAL | Compliance RCM Decal | 1 |
| 18 | 595 35 10-01 | SCREW | | 4 |
| 19 | 595 46 94-01 | DECAL | | 1 |