

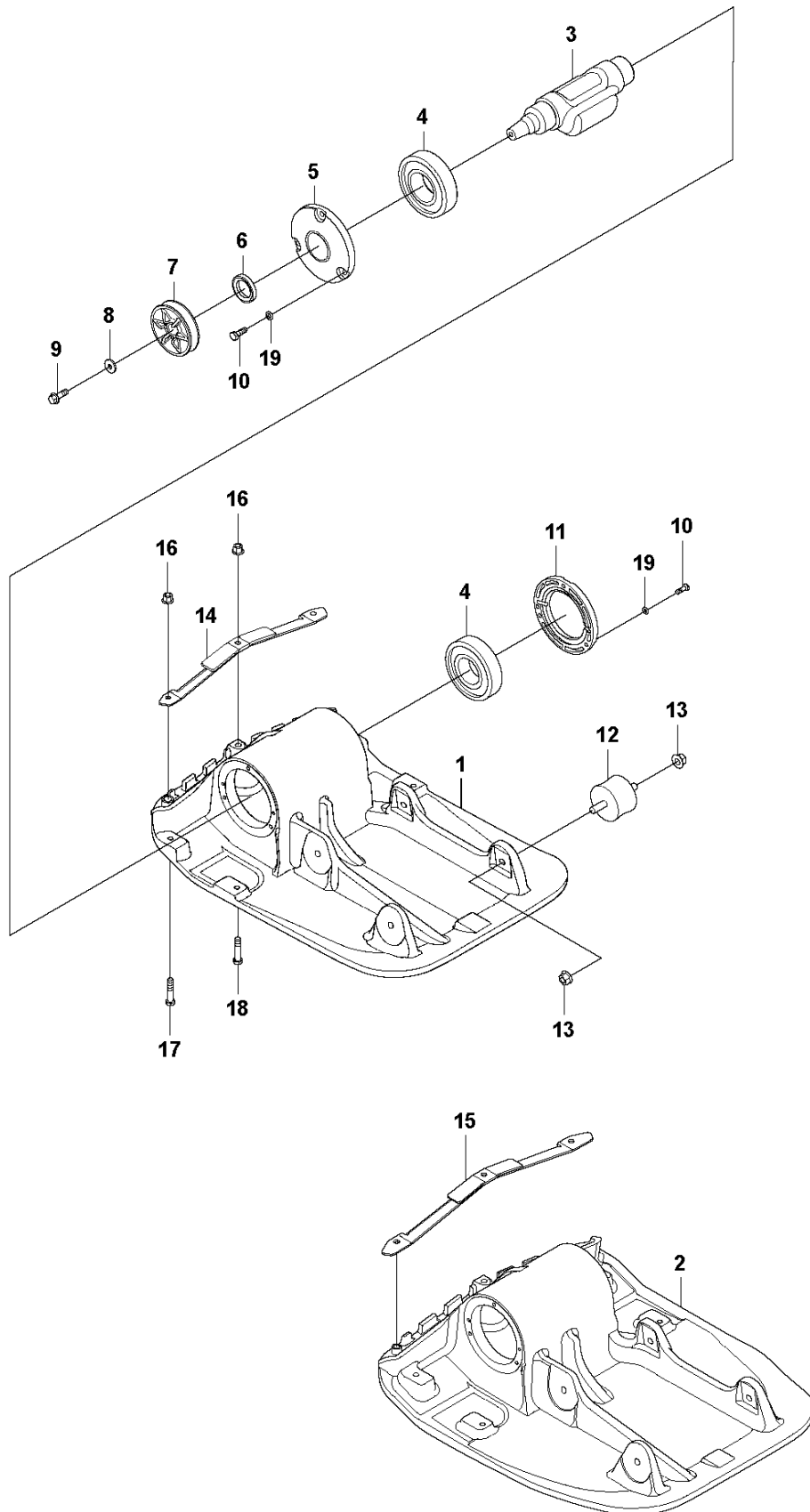


# SPARE PARTS LIST

## LIGHT COMPACTION

LF 75 /LF 75 LAT, 967854901,  
967854902, 967896701, 967896702,  
2019-06

**A** LF 75 L / LF 75 LAT  
GROUND PLATE INSTALLATION

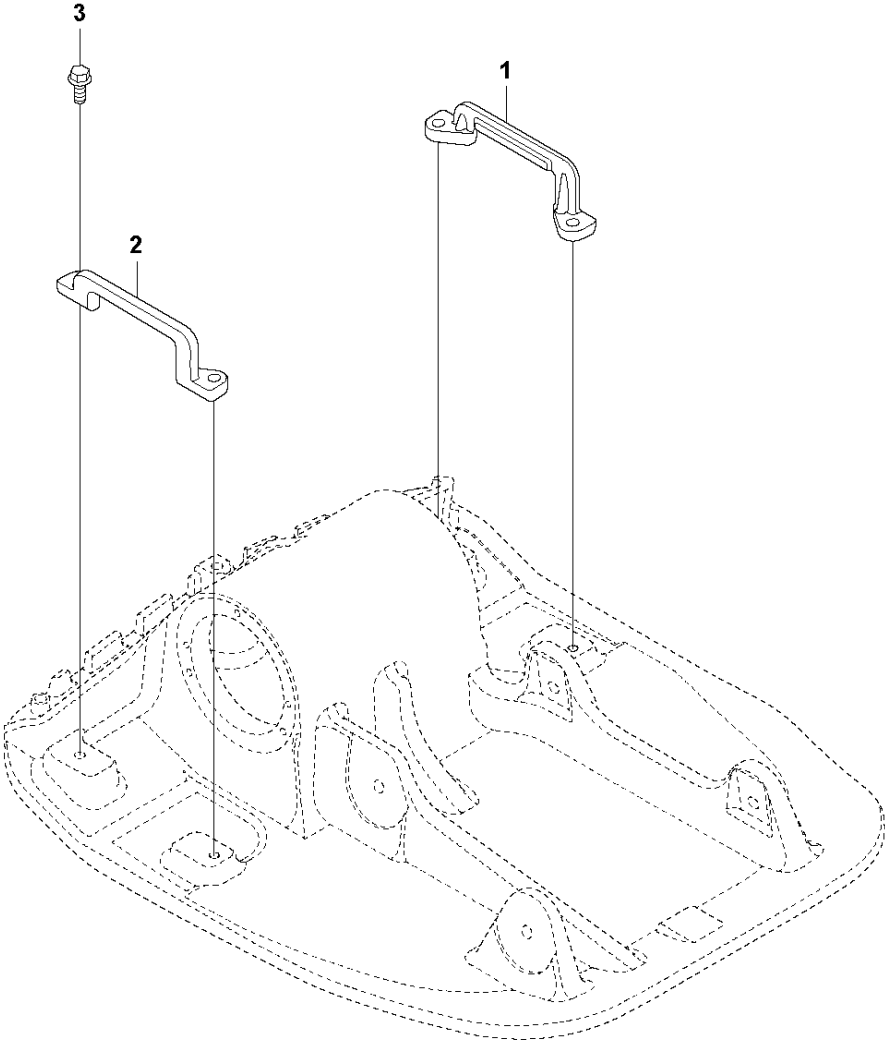


GROUND PLATE INSTALLATION  
967896702, 2019-06

LF 75 /LF 75 LAT, 967854901, 967854902, 967896701,

| Ref | Part No      | Description  | Remark                             | QTY KIT |
|-----|--------------|--------------|------------------------------------|---------|
| 1   | 594 65 07-01 | PLATE        | ground plate LF 75/420             | 1       |
| 2   | 594 65 06-01 | PLATE        | ground plate LF 75/500             | 1       |
| 3   | 594 64 38-01 | SHAFT        |                                    | 1       |
| 4   | 594 52 61-01 | BALL BEARING |                                    | 2       |
| 5   | 594 49 01-01 | COVER        |                                    | 1       |
| 6   | 594 12 83-01 | SEAL         |                                    | 1       |
| 7   | 594 48 67-01 | PULLEY       |                                    | 1       |
| 8   | 594 12 34-01 | WASHER       | M08 8,4x22x3,0 300 HV              | 1       |
| 9   | 594 12 00-01 | SCREW        | M08x25, 8.8, A2K                   | 1       |
| 10  | 595 03 32-01 | SCREW        | screw M6x16 8.8, A2K               | 6       |
| 11  | 594 49 02-01 | COVER        |                                    | 1       |
| 12  | 594 34 19-01 | ABSORBER     |                                    | 4       |
| 13  | 594 12 26-01 | HEXAGON NUT  | HEXAGON NUT M10x10                 | 8       |
| 14  | 594 65 33-01 | BAR          | BAR Sprinkler, 420 mm              | 1       |
| 15  | 594 65 32-01 | BAR          | BAR Sprinkler, 500 mm              | 1       |
| 16  | 594 12 30-01 | LOCK NUT     |                                    | 3       |
| 17  | 595 03 35-01 | SCREW        | M08x40 8.8, A2K                    | 2       |
| 18  | 595 28 71-01 | SCREW        | M08x50, 8.8, A2K                   | 1       |
| 19  | 594 12 46-01 | WASHER       | washer nordlock NL6 M6<br>DIA 13.5 | 6       |

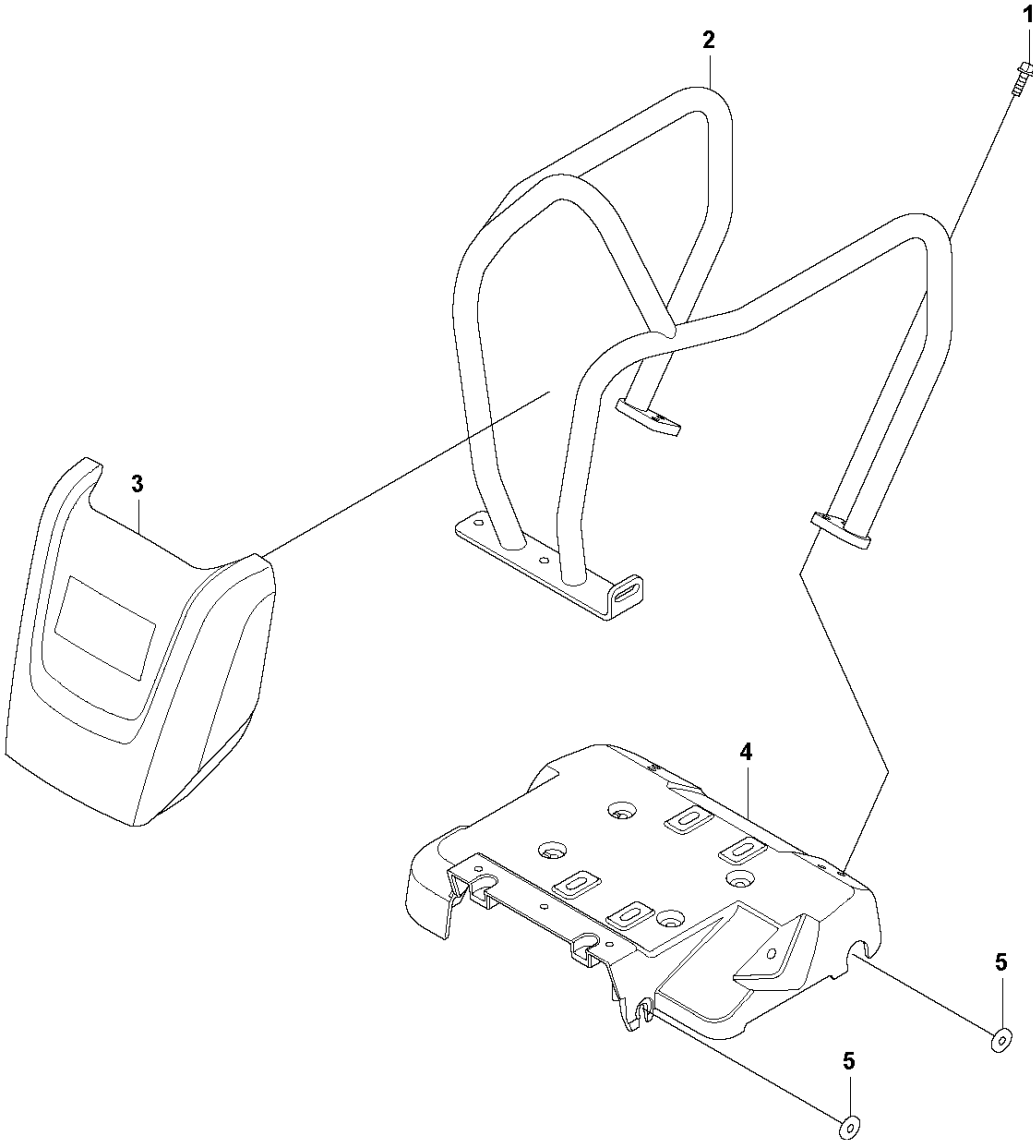
**B** LF 75 L / LF 75 LAT  
LIFTING HANDLE



LIFTING HANDLE      LF 75 /LF 75 LAT, 967854901, 967854902, 967896701, 967896702, 2019-06

| Ref | Part No      | Description | Remark           | QTY KIT |
|-----|--------------|-------------|------------------|---------|
| 1   | 594 48 68-01 | HANDLE      | Right            | 1       |
| 2   | 594 48 69-01 | HANDLE      | Left             | 1       |
| 3   | 595 28 73-01 | SCREW       | M8x20 mm 8.8 A2K | 4       |

**C** LF 75 L  
ENGINE PLATE

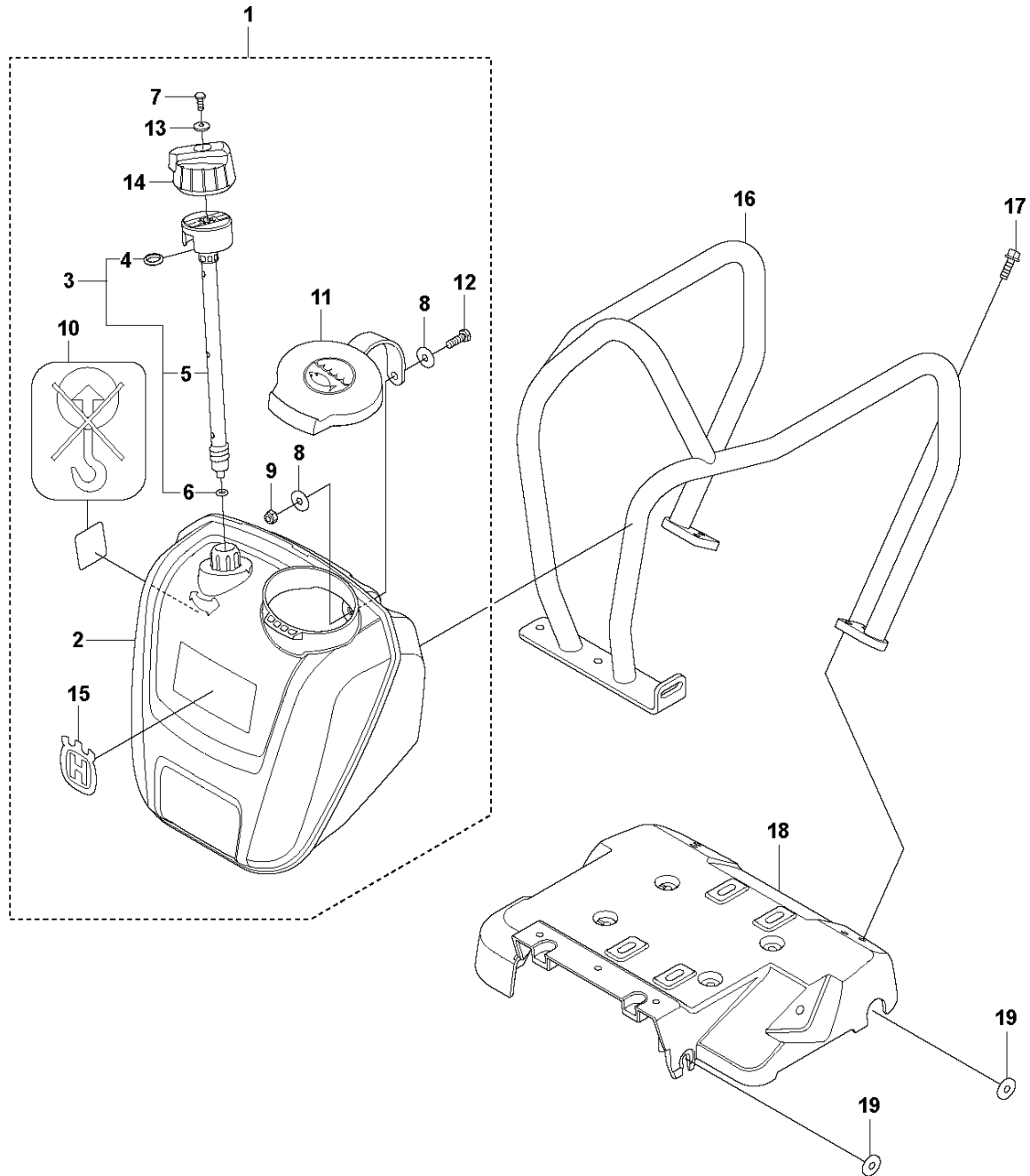


## ENGINE PLATE

LF 75 /LF 75 LAT, 967854901, 967854902, 967896701, 967896702, 2019-06

| Ref | Part No      | Description  | Remark                        | QTY KIT |
|-----|--------------|--------------|-------------------------------|---------|
| 1   | 594 12 00-01 | SCREW        |                               | 7       |
| 2   | 594 14 46-01 | FRAME        |                               | 1       |
| 3   | 594 95 80-01 | COVER        | cover - HVA orange            | 1       |
| 4   | 594 14 54-01 | ENGINE PLATE |                               | 1       |
| 5   | 594 83 85-01 | WASHER       | 022x10,5x4,0, S355JR,<br>UNTR | 2       |

**D** LF 75 LAT  
ENGINE PLATE & WATER TANK



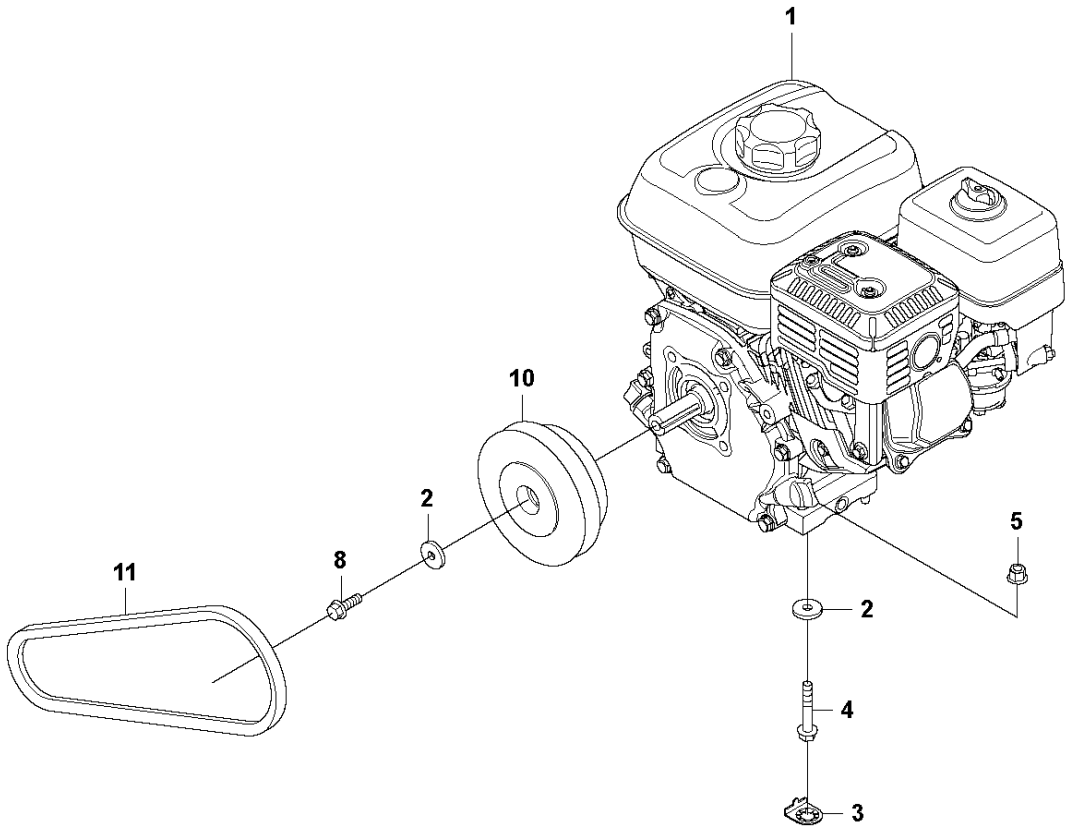


ENGINE PLATE & WATER TANK  
967896702, 2019-06

LF 75 /LF 75 LAT, 967854901, 967854902, 967896701,

| Ref | Part No      | Description  | Remark                            | QTY | KIT  |
|-----|--------------|--------------|-----------------------------------|-----|------|
| 1   | 596 39 29-01 | SPRINKLER    |                                   | 1   |      |
| 2   | 594 96 11-01 | TANK         |                                   | 1   | 1    |
| 3   | 594 21 23-01 | VALVE        |                                   | 1   | 1    |
| 4   | 594 12 79-01 | O-RING       | o-ring $\phi$ 15x4                | 1   | 1, 3 |
| 5   | 594 48 19-01 | VALVE        |                                   | 1   | 1, 3 |
| 6   | 594 12 80-01 | O-RING       | o-ring $\phi$ 8x2.5               | 1   | 1, 3 |
| 7   | 595 03 32-01 | SCREW        | M6x16 8.8, A2K                    | 1   | 1    |
| 8   | 595 06 10-01 | WASHER       |                                   | 2   | 1    |
| 9   | 595 06 27-01 | NUT          | M08 DIN985                        | 1   | 1    |
| 10  | 594 48 33-01 | DECAL        |                                   | 1   | 1    |
| 11  | 594 48 14-01 | CAP          |                                   | 1   | 1    |
| 12  | 595 03 34-01 | SCREW        | m8x25                             | 1   | 1    |
| 13  | 595 03 64-01 | WASHER       | NB 06,4 18,0 1,6 din 9021<br>b Zn | 1   | 1    |
| 14  | 594 48 11-01 | HANDLE       |                                   | 1   | 1    |
| 15  | 574 38 21-01 | DECAL        | HV Crown                          | 1   | 1    |
| 16  | 594 14 46-01 | FRAME        |                                   | 1   |      |
| 17  | 594 12 00-01 | SCREW        |                                   | 7   |      |
| 18  | 594 14 54-01 | ENGINE PLATE |                                   | 1   |      |
| 19  | 594 83 85-01 | WASHER       | 022x10,5x4,0, S355JR,<br>UNTR     | 2   |      |

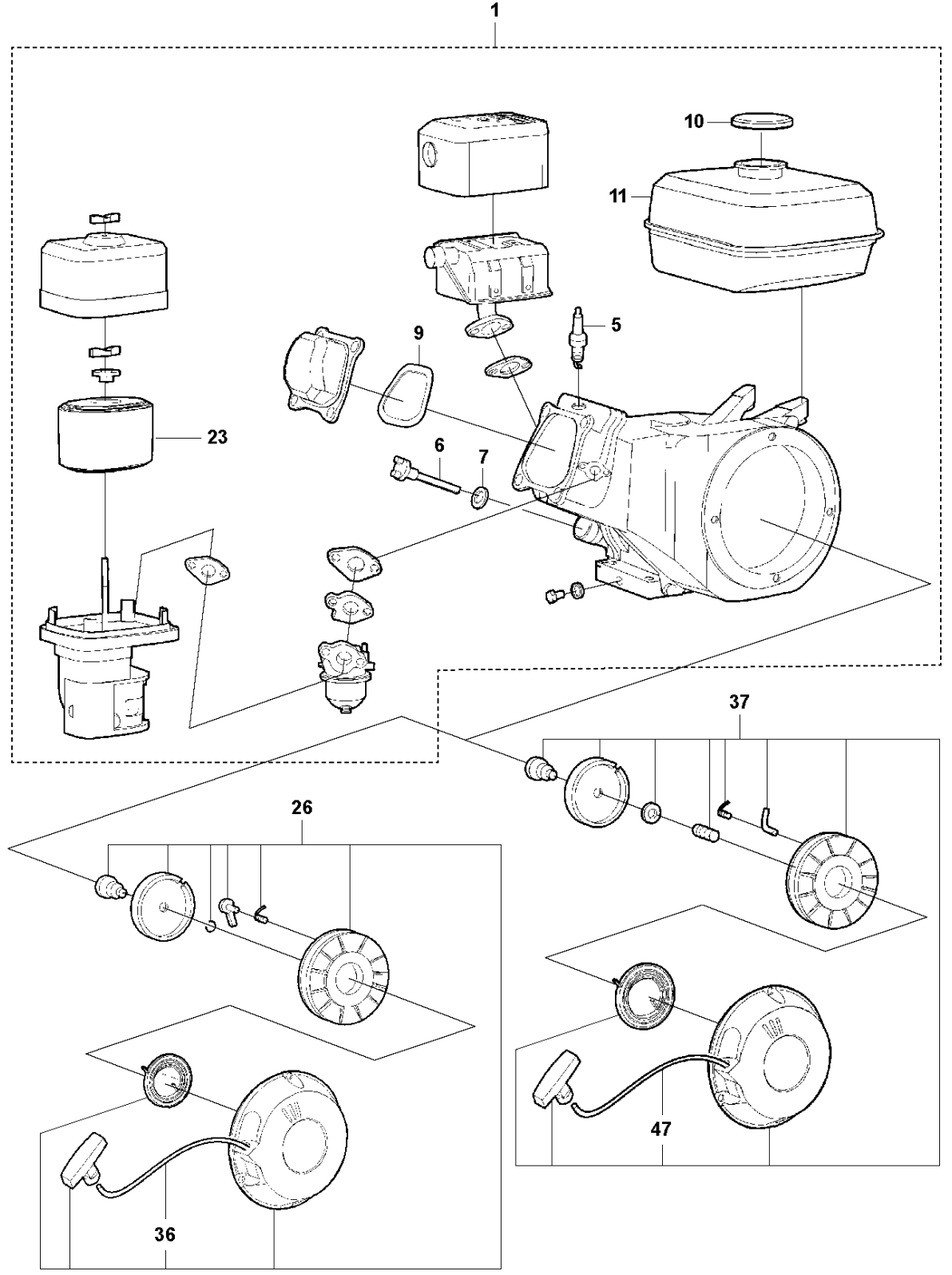
**E** LF 75 L / LF 75 LAT  
ENGINE INSTALLATION



ENGINE INSTALLATION LF 75 /LF 75 LAT, 967854901, 967854902, 967896701, 967896702, 2019-06

| Ref | Part No      | Description        | Remark                | QTY KIT |
|-----|--------------|--------------------|-----------------------|---------|
| 1   | 594 16 11-01 | ENGINE             |                       | 1       |
| 2   | 595 11 29-01 | WASHER             | M08 8,4x26x4,0 300 HV | 5       |
| 3   | 594 48 42-01 | WASHER             |                       | 4       |
| 4   | 594 49 91-01 | SCREW              | flange screw M8x50    | 4       |
| 5   | 594 12 30-01 | LOCK NUT           |                       | 4       |
| 8   | 594 12 00-01 | SCREW              | flange screw M8x25    | 1       |
| 10  | 594 48 01-01 | CENTRIFUGAL CLUTCH |                       | 1       |
| 11  | 594 48 88-01 | V-BELT             |                       | 1       |

**F** LF 75 L / LF 75 LAT  
ENGINE - HONDA GX 160 UT2 SXS4 OH

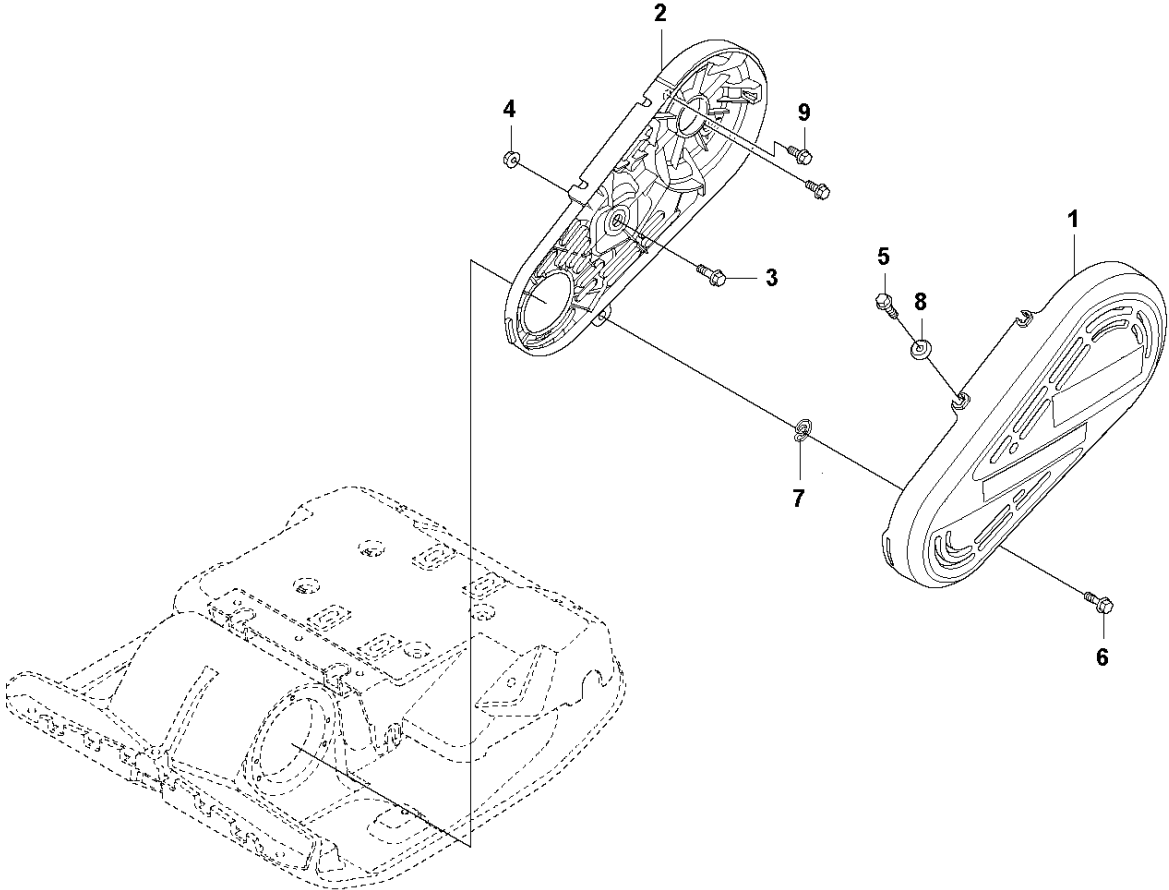


## ENGINE

LF 75 /LF 75 LAT, 967854901, 967854902, 967896701, 967896702, 2019-06

| Ref | Part No      | Description | Remark  | QTY | KIT |
|-----|--------------|-------------|---|-----|-----|
| 1   | 594 16 11-01 | ENGINE      | Honda GX160UT2 SXS4 SD  | 1   |     |
| 5   | 594 20 40-01 | SPARK PLUG  | (bpr6es) (ngk)  | 1   | 1   |
| 6   | 594 20 38-01 | OIL         |   | 1   | 1   |
| 7   | 595 37 42-01 | CAP         | (CAP Packing, Oil Filler)   | 1   | 1   |
| 9   | 595 04 88-01 | GASKET      |   | 1   | 1   |
| 10  | 594 20 46-01 | FUEL CAP    |   | 1   | 1   |
| 11  | 594 20 45-01 | FUEL TANK   |   | 1   | 1   |
| 23  | 594 30 21-01 | AIR FILTER  | Delivered with outer and inner filter.                                  | 1   | 1   |
| 26  | 594 30 06-01 | STARTER     | Complete, Red, Valid up to engine serial number 1411005.                | 1   | 1   |
| 36  | 595 04 91-01 | ROPE        |   | 1   | 26  |
| 37  | 594 20 48-01 | STARTER     | recoil *nh1*, Complete, Black, Valid from engine serial number 1411006. | 1   | 1   |
| 47  | 595 04 91-01 | ROPE        |   | 1   | 37  |

**G** LF 75 L / LF 75 LAT  
BELT GUARD

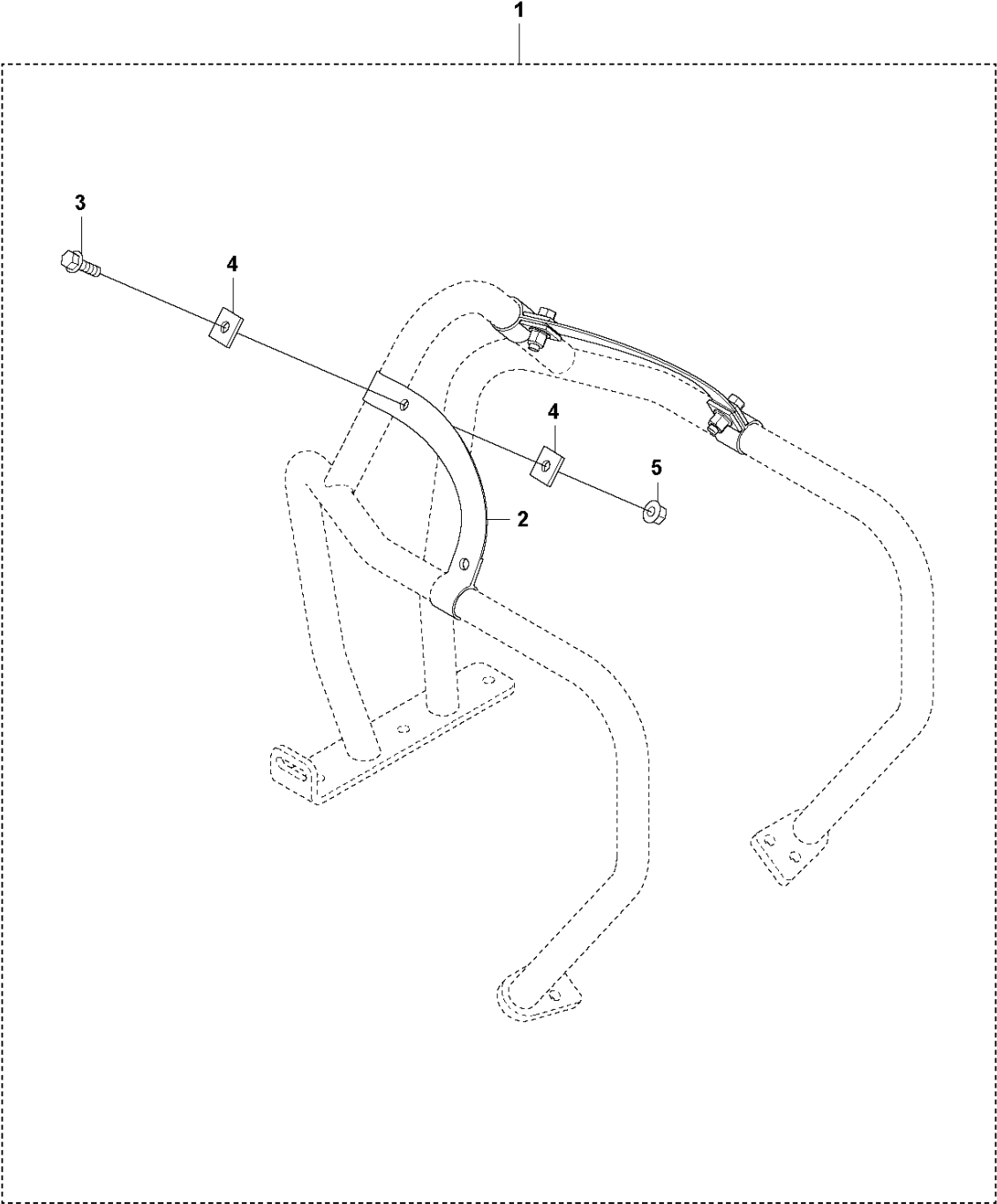


## BELT GUARD

LF 75 /LF 75 LAT, 967854901, 967854902, 967896701, 967896702, 2019-06

| Ref | Part No      | Description    | Remark             | QTY KIT |
|-----|--------------|----------------|--------------------|---------|
| 1   | 594 96 07-01 | BELT GUARD     | outer              | 1       |
| 2   | 594 48 31-01 | BELT GUARD     | inner              | 1       |
| 3   | 594 12 00-01 | SCREW          | M8 x 25 mm 8.8 A2K | 1       |
| 4   | 594 12 30-01 | LOCK NUT       | M8 x 1.25 mm A2K   | 1       |
| 5   | 594 11 98-01 | SCREW          |                    | 3       |
| 6   | 594 64 80-01 | SCREW          | M8 x 25 mm 8.8 A2K | 1       |
| 7   | 594 65 02-01 | LOCKING SPRING |                    | 1       |
| 8   | 594 64 78-01 | WASHER         |                    | 3       |
| 9   | 595 28 73-01 | SCREW          | M8 x 20 mm 8.8 A2K | 2       |

**H** LF75 L / LF 75 LAT  
FORK LIFTING DEVICE

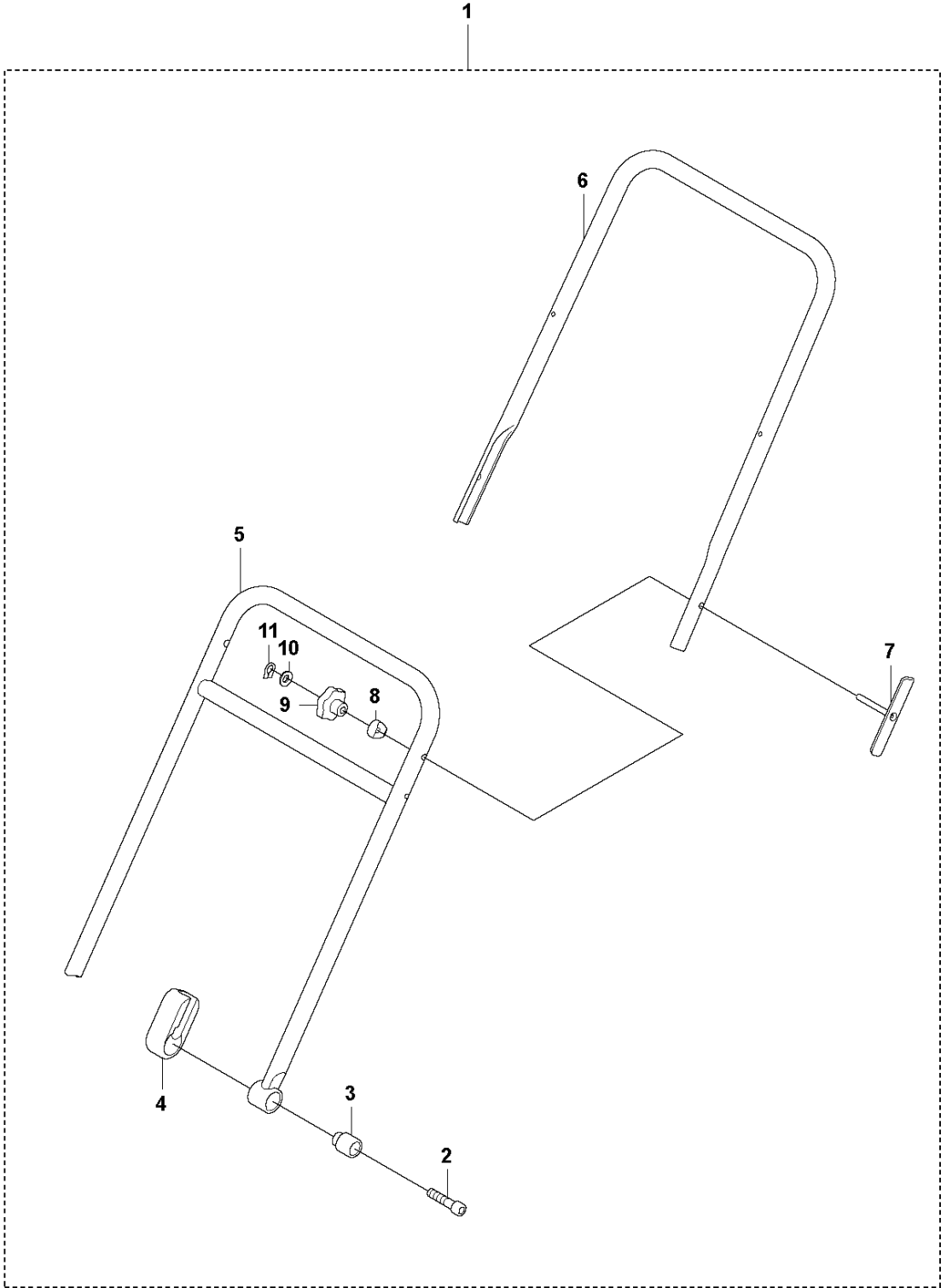




FORK LIFTING DEVICE LF 75 /LF 75 LAT, 967854901, 967854902, 967896701, 967896702, 2019-06

| Ref | Part No      | Description | Remark               | QTY | KIT |
|-----|--------------|-------------|----------------------|-----|-----|
| 1   | 595 50 31-01 | FORK        |                      | 1   |     |
| 2   | 594 48 99-01 | HANDLE      |                      | 2   | 1   |
| 3   | 594 11 98-01 | SCREW       | m8x30                | 4   | 1   |
| 4   | 595 18 27-01 | WASHER      | square washer 9x25x3 | 8   | 1   |
| 5   | 594 12 30-01 | LOCK NUT    | M08x1,25, -8, A2K    | 4   | 1   |

**J** LF 75 L / LF 75 LAT  
HANDLE

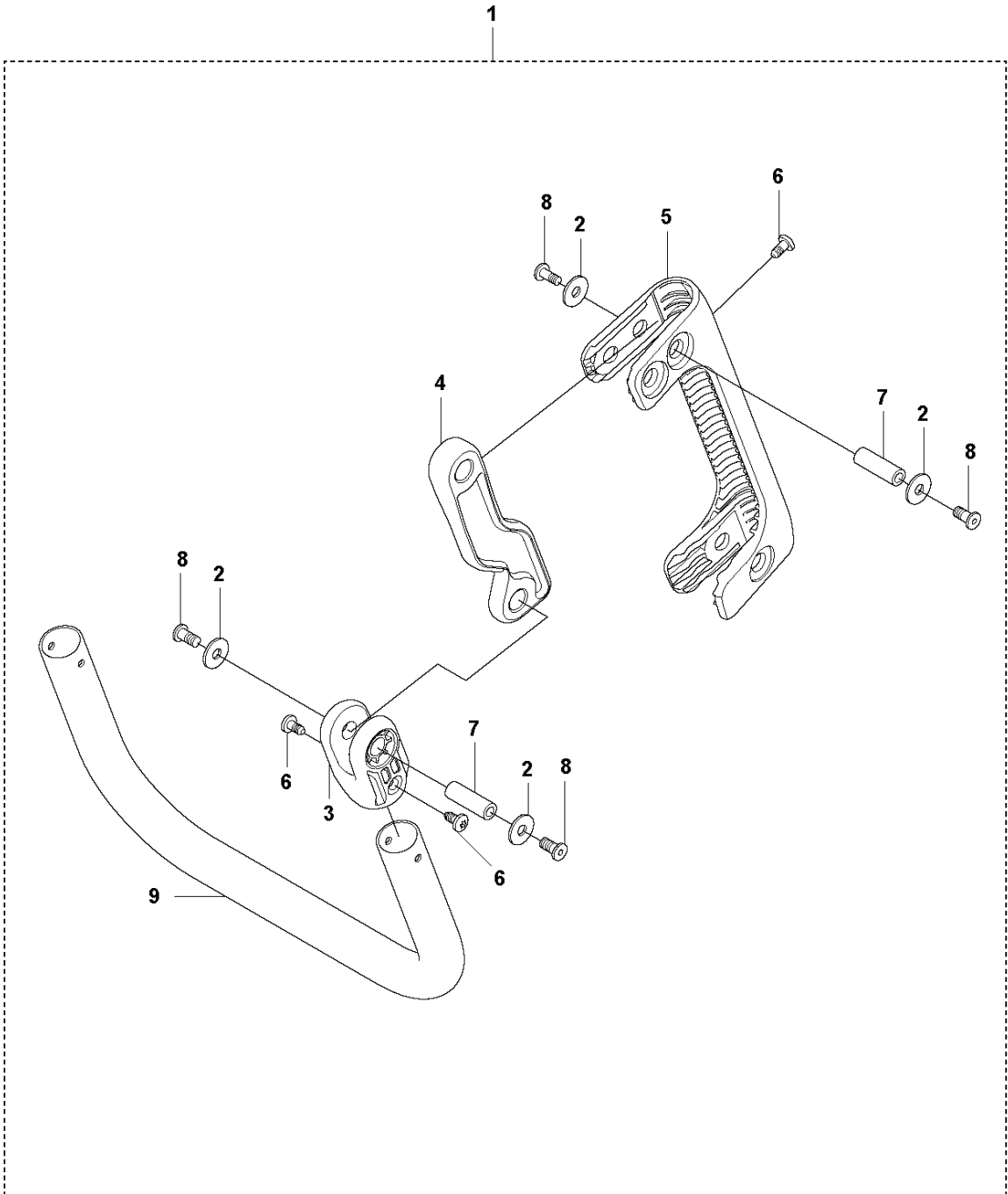


## HANDLE

LF 75 /LF 75 LAT, 967854901, 967854902, 967896701, 967896702, 2019-06

| Ref | Part No      | Description  | Remark                                      | QTY KIT |   |
|-----|--------------|--------------|---|---------|---|
| 1   | 594 76 11-01 | HANDLE       | Handle, complete                            |         |   |
| 2   | 595 07 16-01 | SOCKET       | M12 x 50 mm 8.8 A3K                         | 2       | 1 |
| 3   | 594 65 47-01 | SLEEVE       |   | 2       | 1 |
| 4   | 594 48 04-01 | RADIATOR     |   | 2       | 1 |
| 5   | 594 65 40-01 | HANDLE       | Lower                                       | 1       | 1 |
| 6   | 594 65 41-01 | HANDLE       | Upper                                       | 1       | 1 |
| 7   | 594 65 44-01 | BRACKET      |   | 2       | 1 |
| 8   | 594 65 42-01 | SLEEVE       |   | 2       | 1 |
| 9   | 594 65 43-01 | KNOB         |   | 2       | 1 |
| 10  | 594 12 38-01 | PLANE WASHER | 5,3x10x1 300HV                              | 2       | 1 |
| 11  | 594 26 55-01 | RING         | 4.8 x 7 x 0.6 mm, 0.18 x<br>0.26 x 0.02 in. | 2       | 1 |

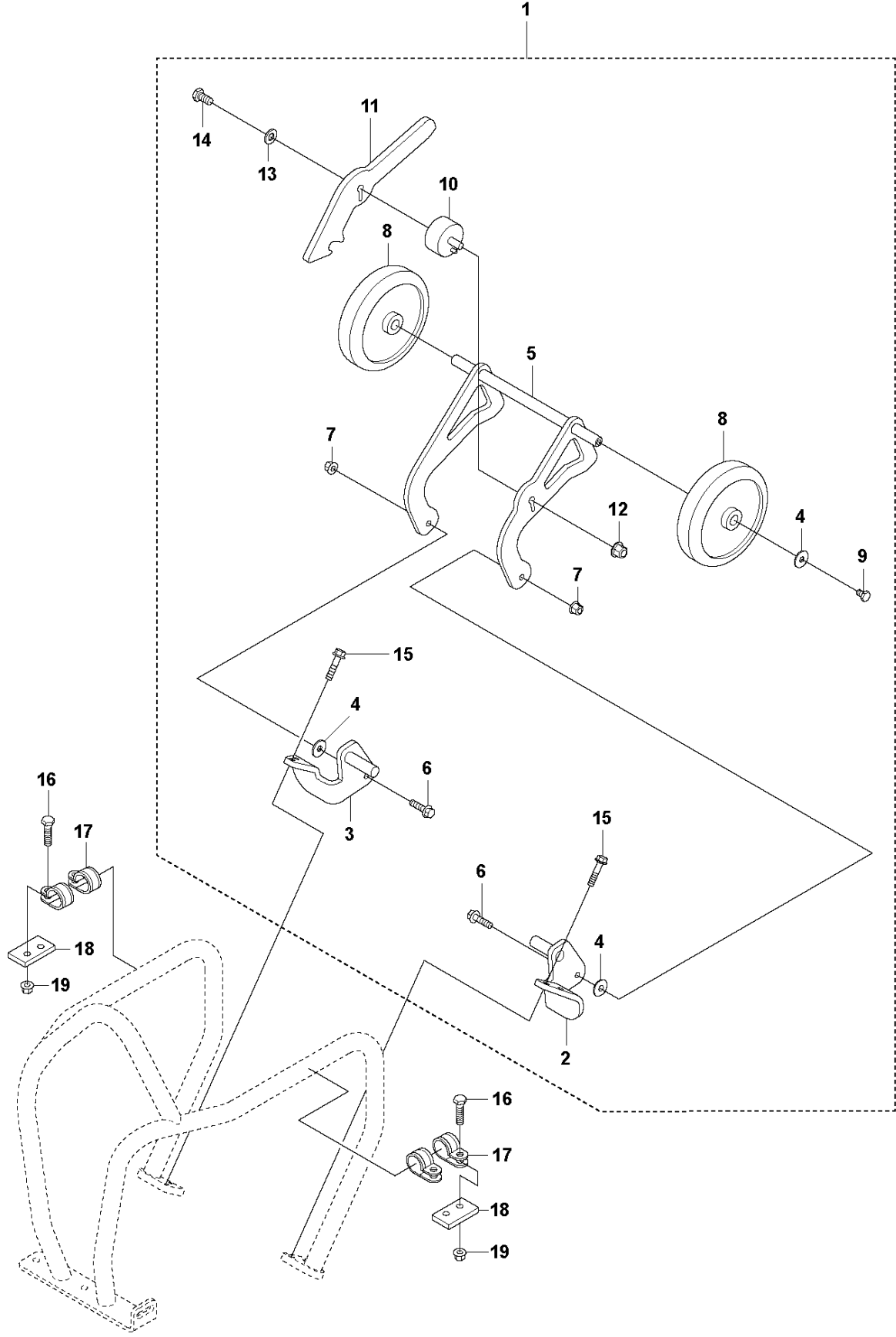
**K** LF 75 L / LF 75 LAT  
VIBRATION DAMPED HANDLE



VIBRATION DAMPED HANDLE LF 75 /LF 75 LAT, 967854901, 967854902, 967896701, 967896702, 2019-06

| Ref | Part No      | Description | Remark              | QTY KIT |   |
|-----|--------------|-------------|---------------------|---------|---|
| 1   | 594 20 50-01 | HANDLE      | DEVIBRATED LF75-100 | 1       |   |
| 2   | 594 52 66-01 | WASHER      | φ6.4/18.0x1.6       | 16      | 1 |
| 3   | 594 48 22-01 | BRACKET     |                     | 2       | 1 |
| 4   | 594 48 05-01 | ABSORBER    |                     | 2       | 1 |
| 5   | 594 48 21-01 | BRACKET     |                     | 2       | 1 |
| 6   | 594 52 50-01 | SCREW       | M5 x 10 mm A2K      | 8       | 1 |
| 7   | 594 52 47-01 | NUT         | M6 x 30 mm 8.8      | 8       | 1 |
| 8   | 594 52 67-01 | SCREW       | M6 x 12 mm 10.9 A2T | 16      | 1 |
| 9   | 594 16 63-01 | HANDLE      |                     | 1       | 1 |

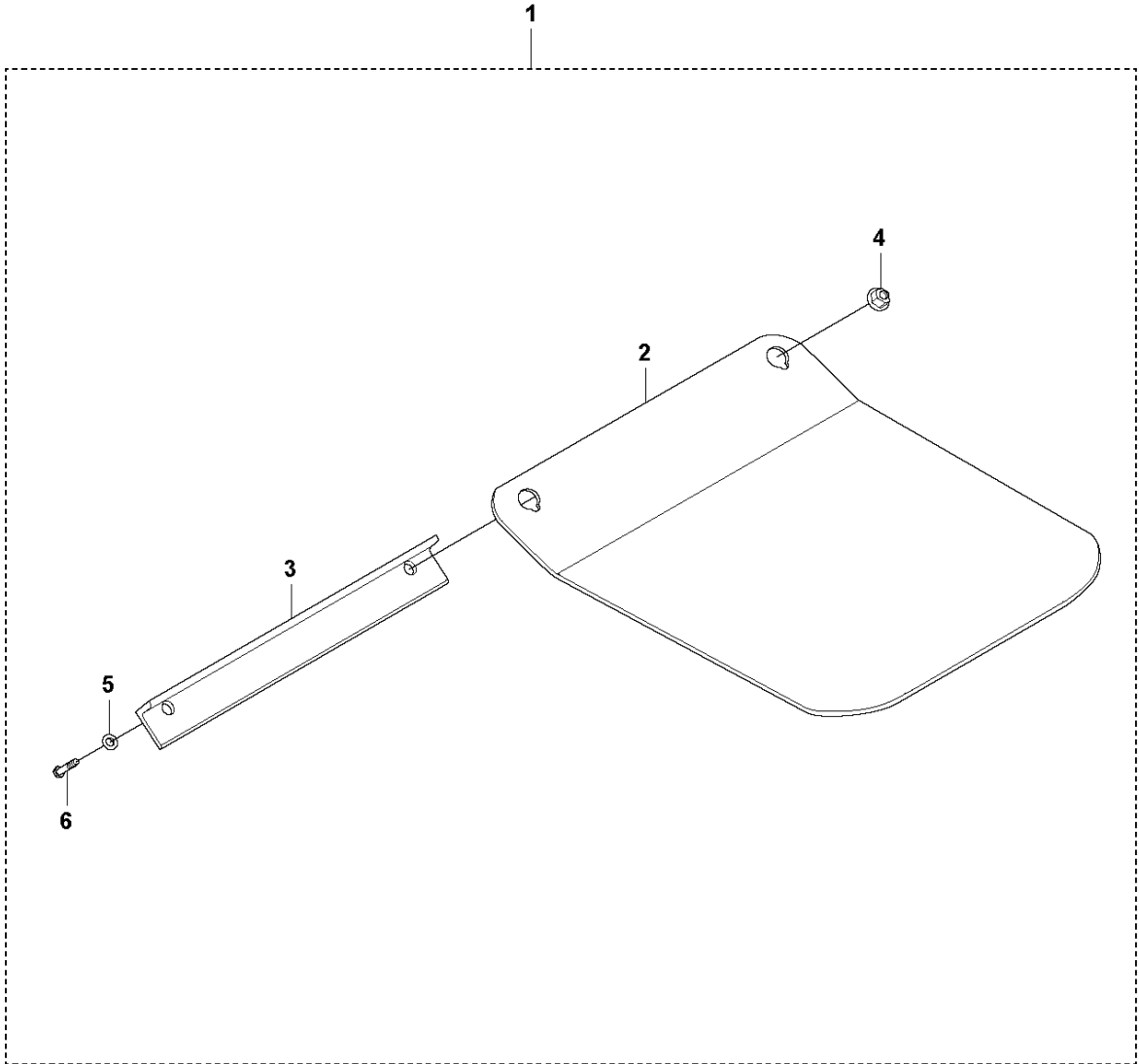
**L** LF 75 L / LF 75 LAT  
TRANSPORT DEVICE



TRANSPORT DEVICE LF 75 /LF 75 LAT, 967854901, 967854902, 967896701, 967896702, 2019-06

| Ref | Part No      | Description | Remark                               | QTY KIT |
|-----|--------------|-------------|--------------------------------------|---------|
| 1   | 594 20 49-01 | TRANSPORT   | Transport device                     | 1       |
| 2   | 594 64 87-01 | BRACKET     | Left                                 | 1       |
| 3   | 594 64 89-01 | BRACKET     | Right                                | 1       |
| 4   | 595 06 10-01 | WASHER      | 8,4x25x2 mm                          | 4       |
| 5   | 594 64 88-01 | FORK        |                                      | 1       |
| 6   | 594 11 98-01 | SCREW       | M8x30 mm 8.8 A2K                     | 2       |
| 7   | 594 12 30-01 | LOCK NUT    | M8x1.25 mm A2K                       | 2       |
| 8   | 594 45 55-01 | WHEEL       | WHEEL                                | 2       |
| 9   | 596 88 97-07 | SCREW       | SCREW Hex. Head M6S<br>M8x12 8.8 fzb | 2       |
| 10  | 594 46 27-01 | ABSORBER    | shock absorber                       | 1       |
| 11  | 594 65 10-01 | HOOK        |                                      | 1       |
| 12  | 595 06 47-01 | LOCK NUT    | M10                                  | 1       |
| 13  | 594 74 74-01 | WASHER      | M10 10,5x22x2,0 300 HV               | 1       |
| 14  | 594 11 84-01 | SCREW       | M10x20 mm 8.8 A3K                    | 1       |
| 15  | 594 12 00-01 | SCREW       | M8x25mm 8.8 A2K                      | 4       |
| 16  | 595 46 63-01 | SCREW       | M06x025H, 8.8, A2K                   | 4       |
| 17  | 595 06 85-01 | CLAMP       | 22x6.4x15                            | 4       |
| 18  | 594 64 60-01 | STOP        |                                      | 2       |
| 19  | 595 11 26-01 | NUT         | M06x1,00, -8, A2K                    | 4       |

**M** LF 75 L / LF 75 LAT  
BLOCK PAVING PLATE 420 MM (16,5 IN")

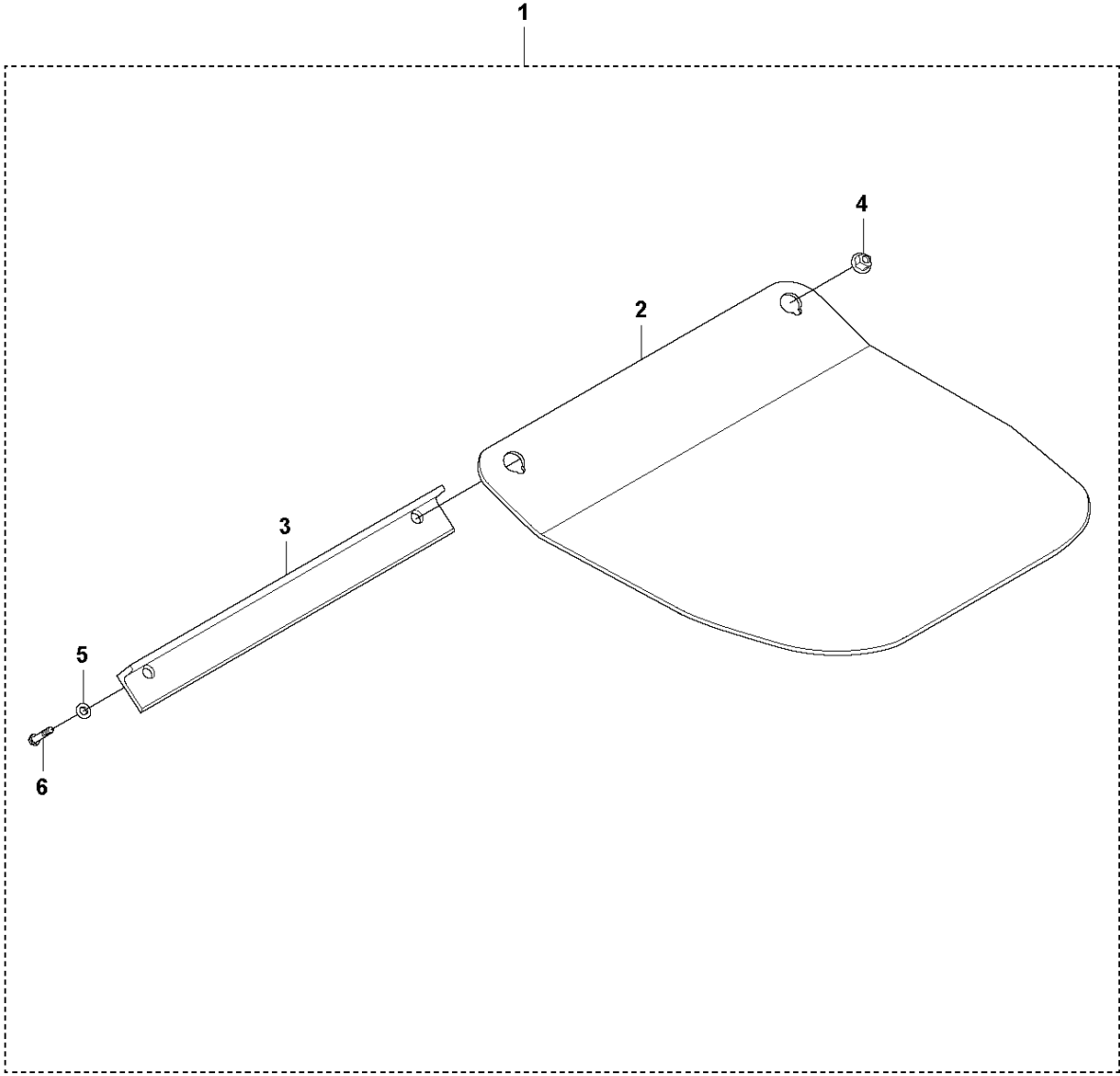




BLOCK PAVING PLATE 420 MM (16,5") LF 75 /LF 75 LAT, 967854901, 967854902, 967896701, 967896702, 2019-06

| Ref | Part No      | Description      | Remark                              | QTY KIT |   |
|-----|--------------|------------------|-------------------------------------|---------|---|
| 1   | 594 86 81-01 | BLOCK PAVING KIT | Complete                            | 1       |   |
| 2   | 594 48 46-01 | PLATE            | "Polyurethane plate, 420 mm, 16.5"" | 1       | 1 |
| 3   | 594 48 47-01 | BRACKET          |                                     | 1       | 1 |
| 4   | 594 12 30-01 | LOCK NUT         | M8 x 1.25 mm A2K                    | 2       | 1 |
| 5   | 595 03 66-01 | WASHER           | M08 8,4x16x1,5 300 HV               | 2       | 1 |
| 6   | 594 52 25-01 | SCREW            | M8 x 75 mm 8.8 A2K                  | 2       | 1 |

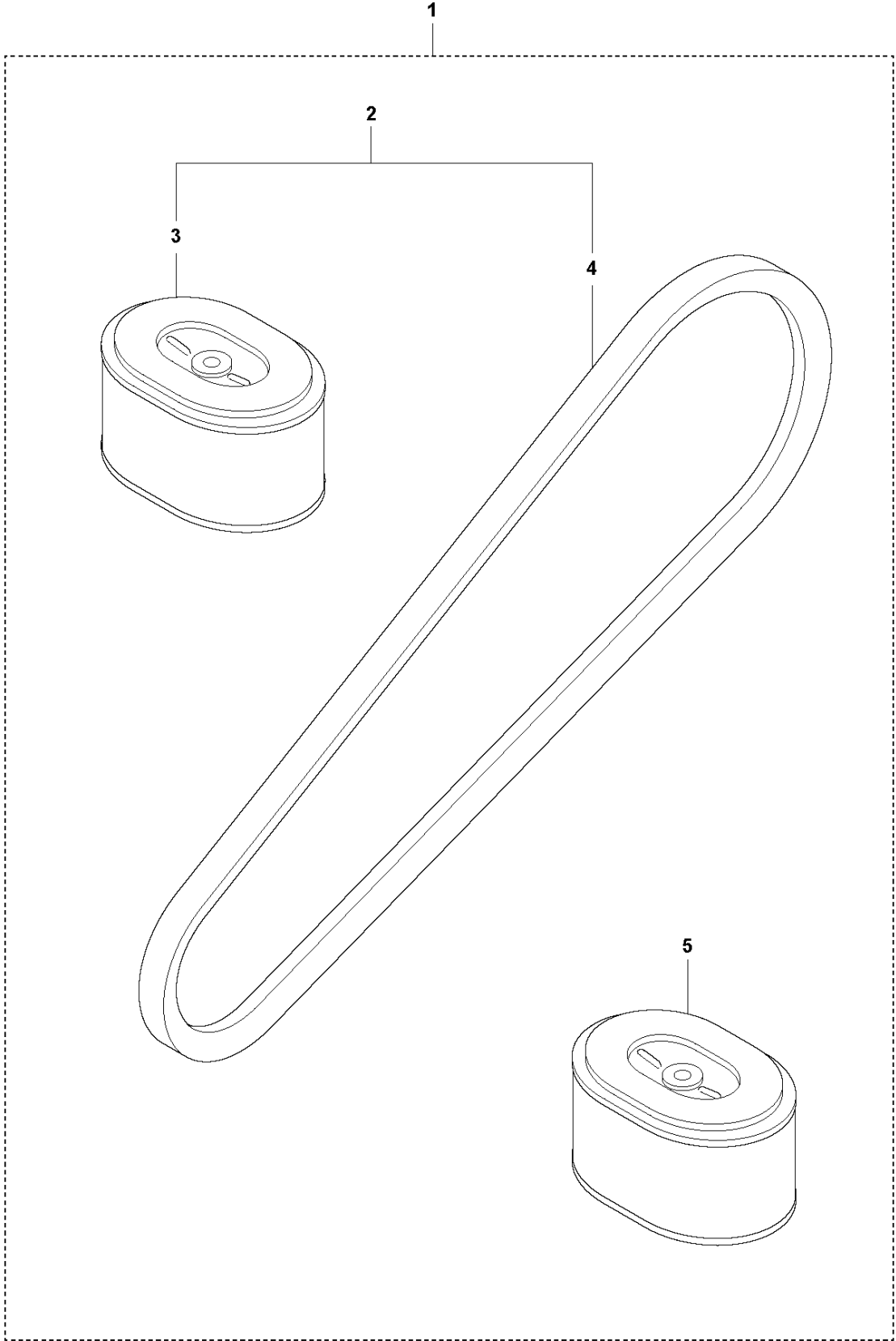
**N** LF 75 L / LF 75 LAT  
BLOCK PAVING PLATE 500 MM (19,7 IN")



BLOCK PAVING PLATE 500 MM (19,7") LF 75 /LF 75 LAT, 967854901, 967854902, 967896701, 967896702, 2019-06

| Ref | Part No      | Description      | Remark                              | QTY KIT |   |
|-----|--------------|------------------|-------------------------------------|---------|---|
| 1   | 594 86 82-01 | BLOCK PAVING KIT | Complete                            | 1       |   |
| 2   | 594 48 48-01 | PLATE            | "Polyurethane plate, 500 mm, 19.7"" | 1       | 1 |
| 3   | 594 48 49-01 | BRACKET          |                                     | 1       | 1 |
| 4   | 594 12 30-01 | LOCK NUT         | M8 x 1.25 mm A2K                    | 2       | 1 |
| 5   | 595 03 66-01 | WASHER           | 8.4x 16x1.5 mm 300HV                | 2       | 1 |
| 6   | 594 52 25-01 | SCREW            | M8 x 75 mm 8.8 A2K                  | 2       | 1 |

**P** LF 75 L / LF 75 LAT  
START UP KIT - HONDA

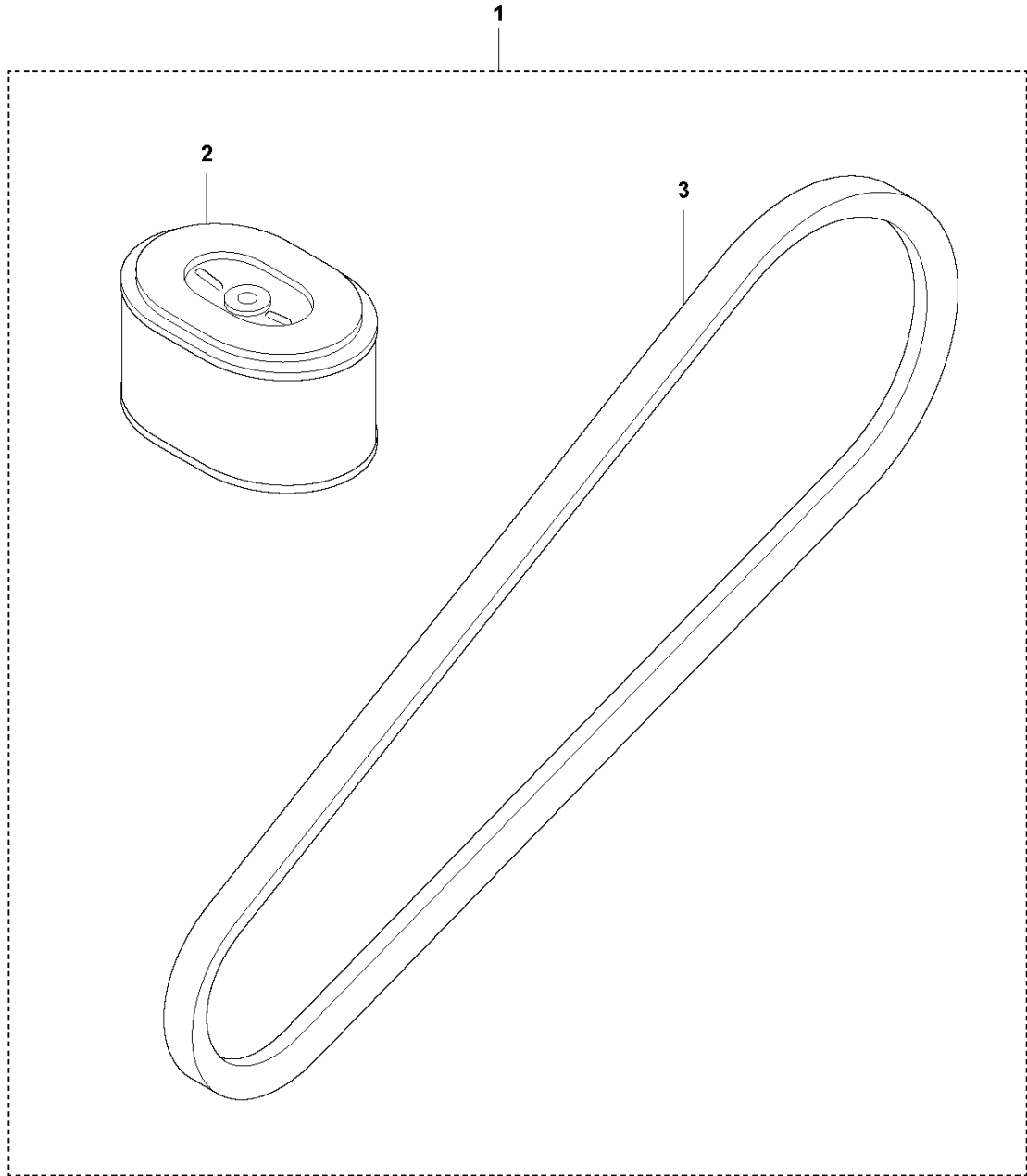


START UP KIT

LF 75 /LF 75 LAT, 967854901, 967854902, 967896701, 967896702, 2019-06

| Ref | Part No      | Description | Remark                            | QTY KIT |      |
|-----|--------------|-------------|-----------------------------------|---------|------|
| 1   | 595 38 53-01 | SERVICE KIT | Start up kit                      | 1       |      |
| 2   | 594 21 62-01 | SERVICE KIT | 12 months / 200 hours service kit | 1       | 1    |
| 3   | 594 30 21-01 | AIR FILTER  |                                   | 1       | 1, 2 |
| 4   | 594 48 88-01 | V-BELT      |                                   | 1       | 1, 2 |
| 5   | 594 30 21-01 | AIR FILTER  |                                   | 1       | 1    |

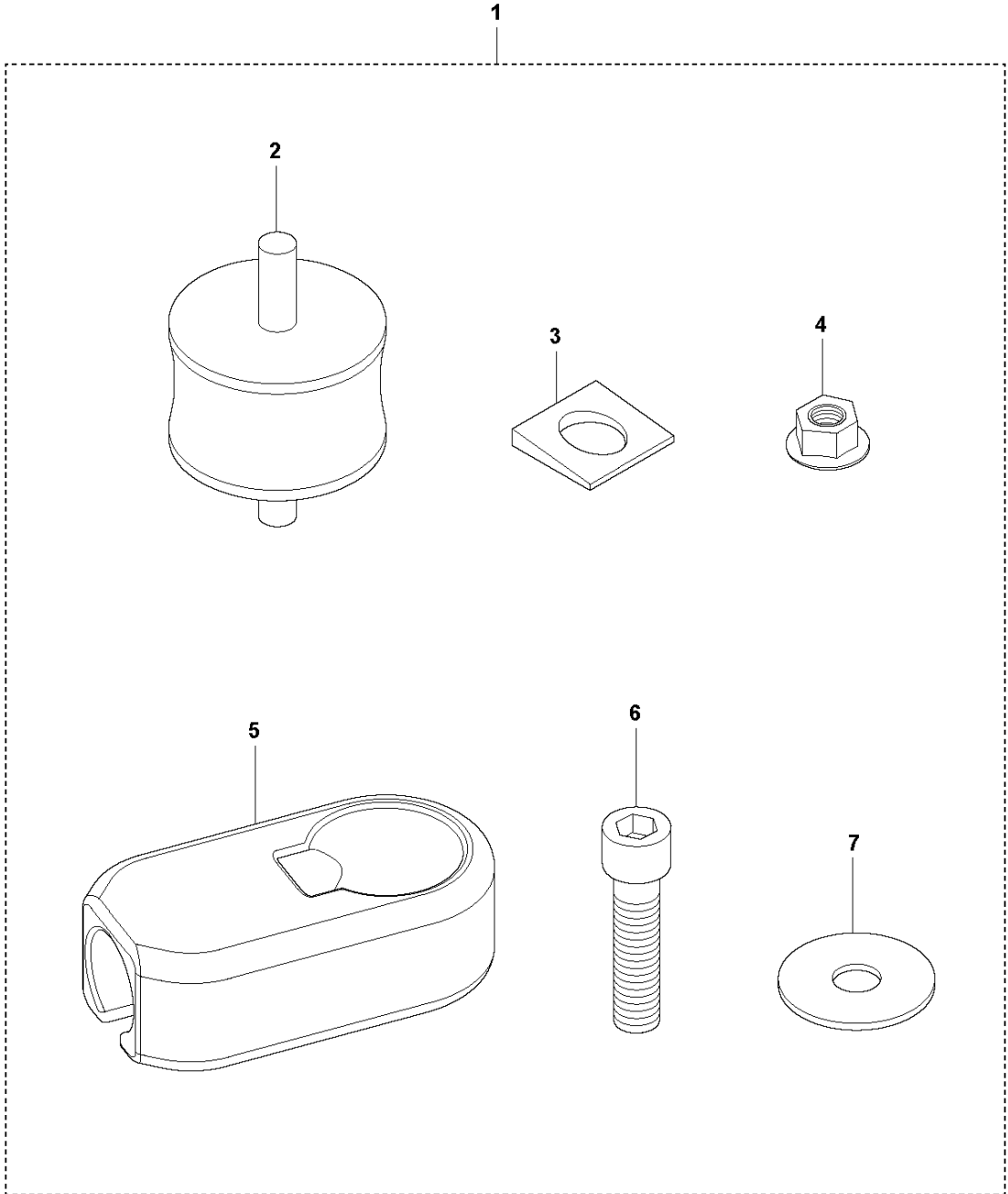
**Q LF 75 L / LF 75 LAT**  
**12 MONTHS / 200 HOURS SERVICE KIT**



12 MONTHS / 200 HOURS SERVICE KIT LF 75 /LF 75 LAT, 967854901, 967854902, 967896701,  
967896702, 2019-06

| Ref | Part No      | Description | Remark | QTY | KIT |
|-----|--------------|-------------|--------|-----|-----|
| 1   | 594 21 62-01 | SERVICE KIT |        | 1   |     |
| 2   | 594 30 21-01 | AIR FILTER  |        | 1   | 1   |
| 3   | 594 48 88-01 | V-BELT      |        | 1   | 1   |

**R** LF 75 L / LF 75 LAT  
SHOCK ABSORBER REPAIR KIT



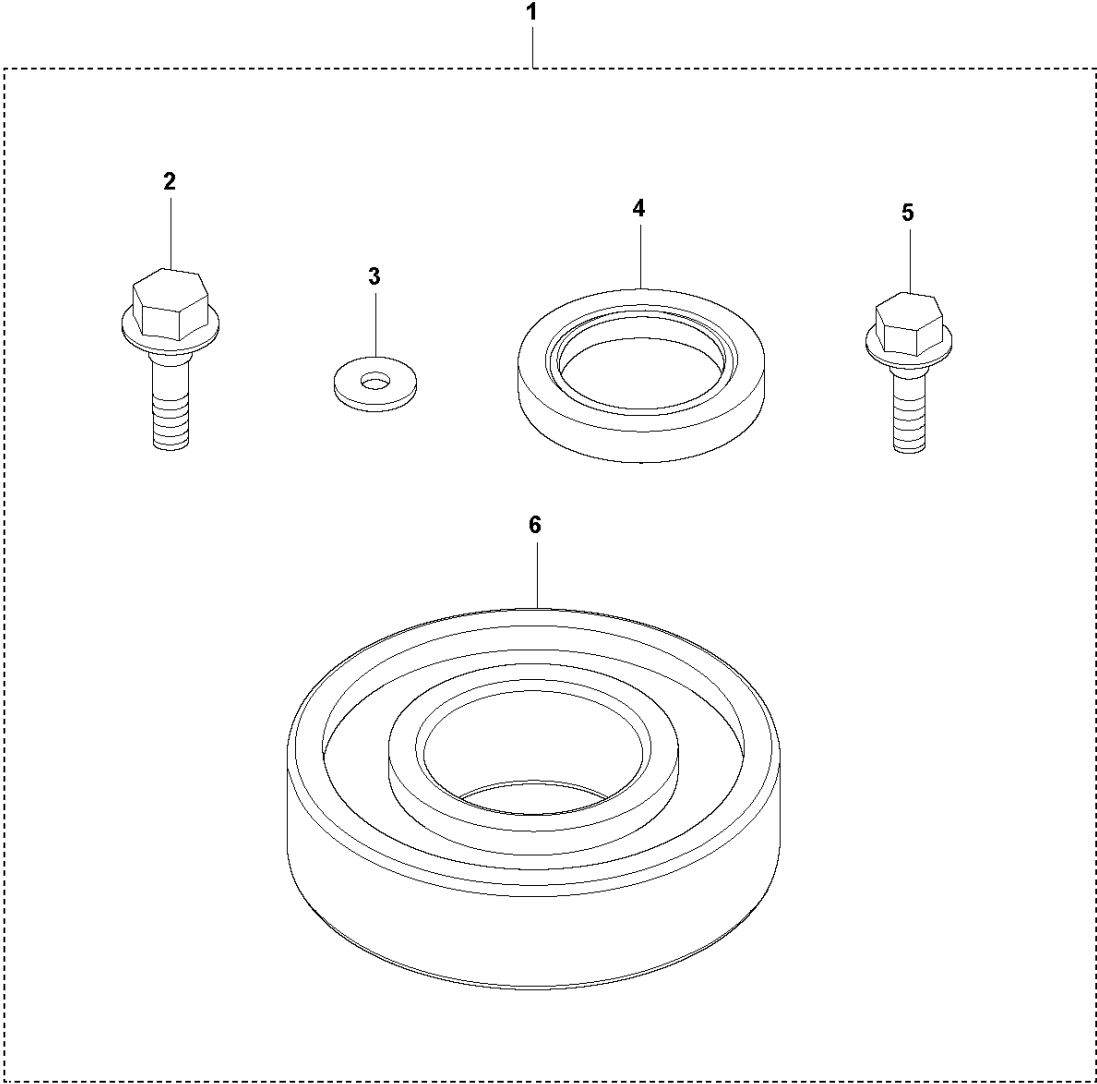


SHOCK ABSORBER REPAIR KIT  
967896702, 2019-06

LF 75 /LF 75 LAT, 967854901, 967854902, 967896701,

| Ref | Part No      | Description | Remark                         | QTY KIT |   |
|-----|--------------|-------------|--------------------------------|---------|---|
| 1   | 594 19 46-01 | REPAIR KIT  |                                | 1       |   |
| 2   | 594 34 19-01 | ABSORBER    |                                | 4       | 1 |
| 3   | 594 52 64-01 | WASHER      | M10 22x22x4.6 dia.11 DIN 435   | 4       | 1 |
| 4   | 594 12 26-01 | HEXAGON NUT | M10x1,50,-8,A3K STD215 ISO4161 | 8       | 1 |
| 5   | 594 48 04-01 | RADIATOR    |                                | 2       | 1 |
| 6   | 594 53 00-01 | SCREW       | M12x50, 8.8, A3K               | 2       | 1 |
| 7   | 594 83 85-01 | WASHER      | 022x10,5x4,0, S355JR, UNTR     | 4       | 1 |

**S** LF 75 L / LF 75 LAT  
ECCENTRIC ELEMENT REPAIR KIT

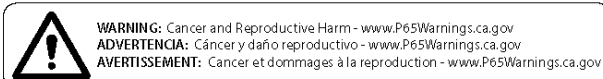
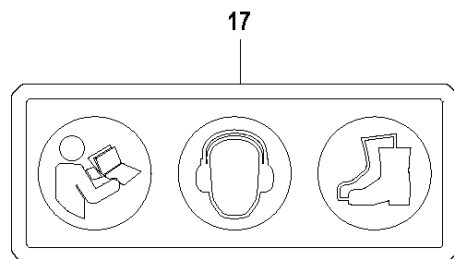
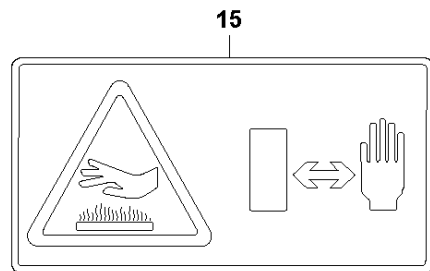
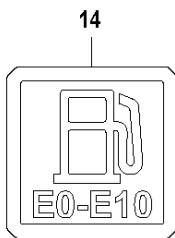
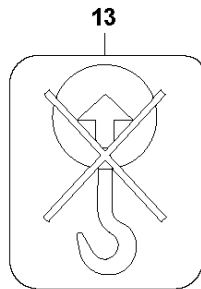
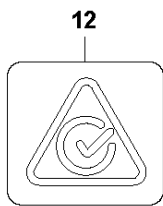
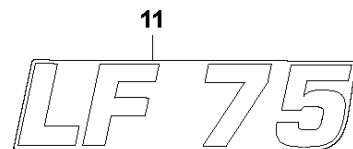
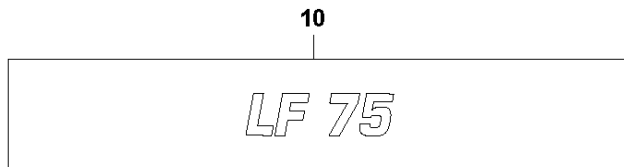
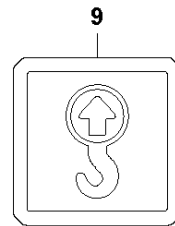
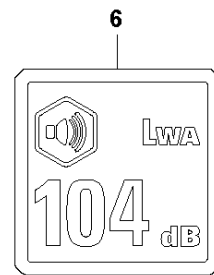
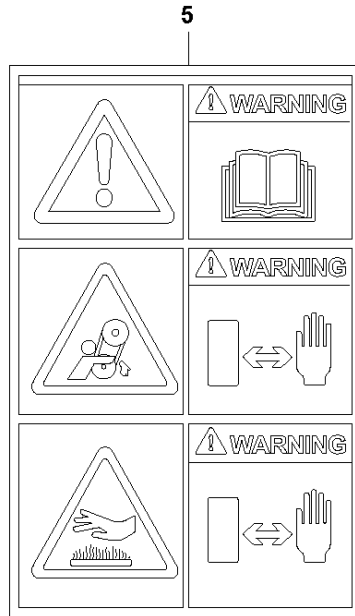
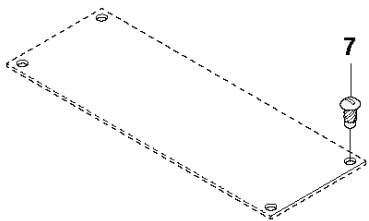
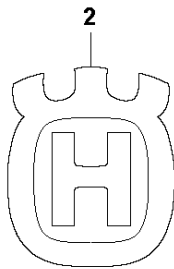
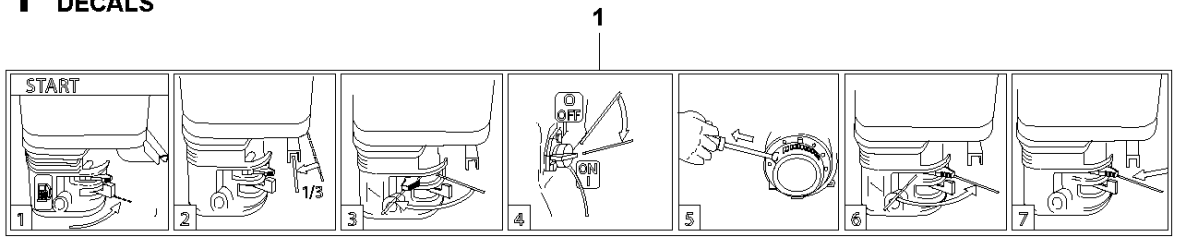


ECCENTRIC ELEMENT REPAIR KIT  
967896702, 2019-06

LF 75 /LF 75 LAT, 967854901, 967854902, 967896701,

| Ref | Part No      | Description  | Remark                | QTY KIT |   |
|-----|--------------|--------------|-----------------------|---------|---|
| 1   | 594 19 44-01 | REPAIR KIT   |                       | 1       |   |
| 2   | 594 12 00-01 | SCREW        | M08x025H, 8.8, A2K    | 1       | 1 |
| 3   | 594 12 34-01 | WASHER       | M08 8,4x22x3,0 300 HV | 1       | 1 |
| 4   | 594 12 83-01 | SEAL         |                       | 1       | 1 |
| 5   | 594 52 33-01 | SCREW        | M06x16, 8.8, A2K      | 6       | 1 |
| 6   | 594 52 61-01 | BALL BEARING |                       | 2       | 1 |

**Y LF 75 L / LF 75 LAT  
DECALS**



18

## DECALS

LF 75 /LF 75 LAT, 967854901, 967854902, 967896701, 967896702, 2019-06

| Ref | Part No      | Description | Remark   | QTY KIT |
|-----|--------------|-------------|--|---------|
| 1   | 594 48 62-01 | DECAL       |  | 1       |
| 2   | 574 38 21-01 | DECAL       | DECAL HUSQVARNA CROWN                                    | 1       |
| 5   | 594 48 63-01 | DECAL       |  | 1       |
| 6   | 595 51 32-02 | LABEL       | LABEL Sound level Noise 104dB 40x40mm                    | 1       |
| 7   | 595 18 02-01 | SCREW       |  | 4       |
| 9   | 594 66 09-01 | LABEL       | LABEL Lifting Point                                      | 2       |
| 10  | 595 09 45-01 | DECAL       | DECAL LF 75 Model Code ( HV for belt cover 158,4x24,4mm) | 1       |
| 11  | 595 90 04-01 | DECAL       | DECAL Model code LF 75                                   | 1       |
| 12  | 596 28 02-01 | DECAL       | DECAL Compliance RCM                                     | 1       |
| 13  | 594 48 33-01 | DECAL       | No Lifting Point 45x45 mm                                | 1       |
| 14  | 594 66 02-01 | LABEL       | Gasoline decal   | 1       |
| 15  | 595 18 61-01 | DECAL       | safety label -hot surfaces                               | 1       |
| 16  | 595 09 42-01 | DECAL       | Husqvarna logo   | 1       |
| 17  | 594 65 96-01 | LABEL       | safety decal   | 1       |
| 18  | 595 87 17-01 | LABEL       |  | 1       |