

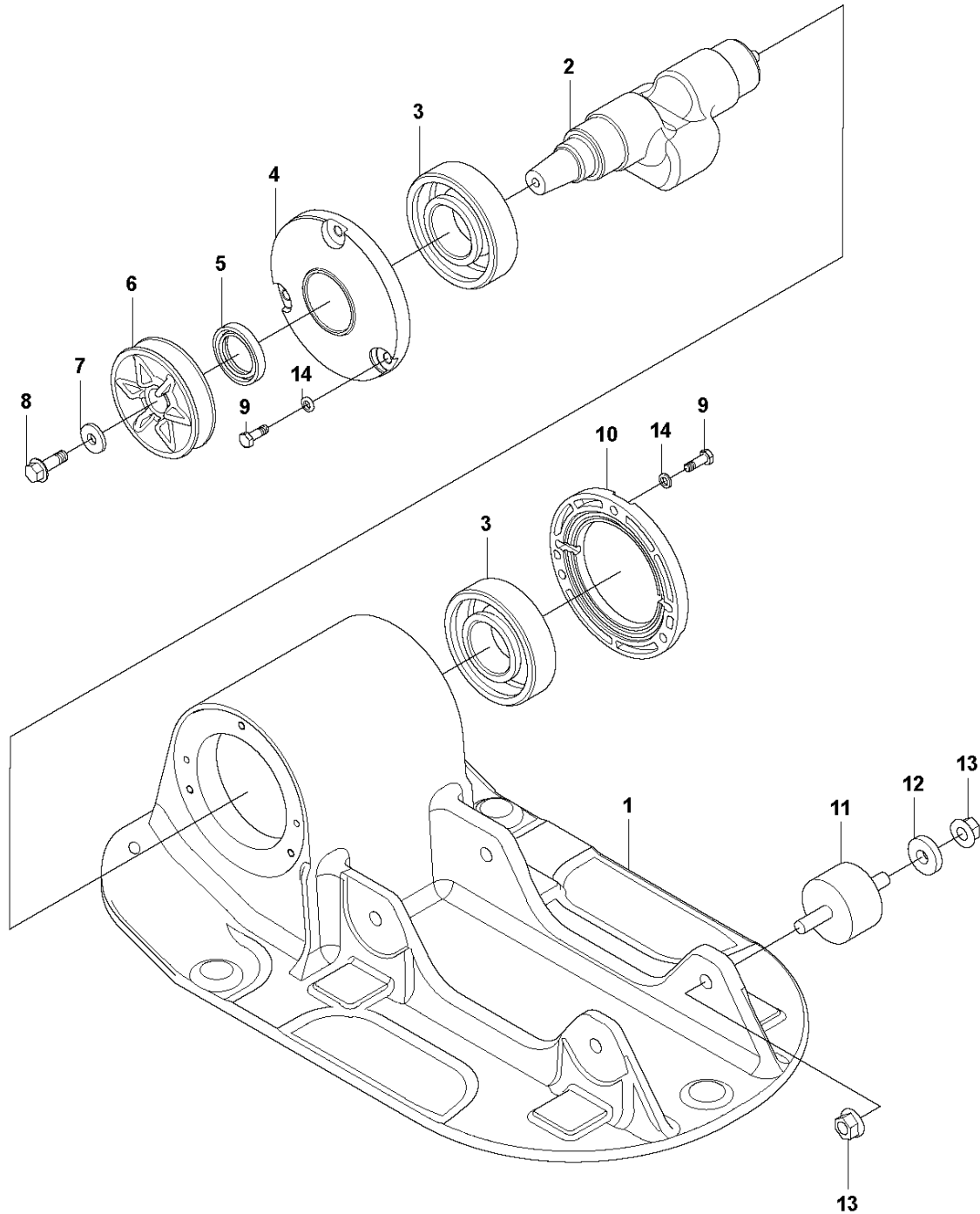


SPARE PARTS LIST

LIGHT COMPACTION

LF 50, 967854702, 2019-06

A LF 50
GROUND PLATE INSTALLATION

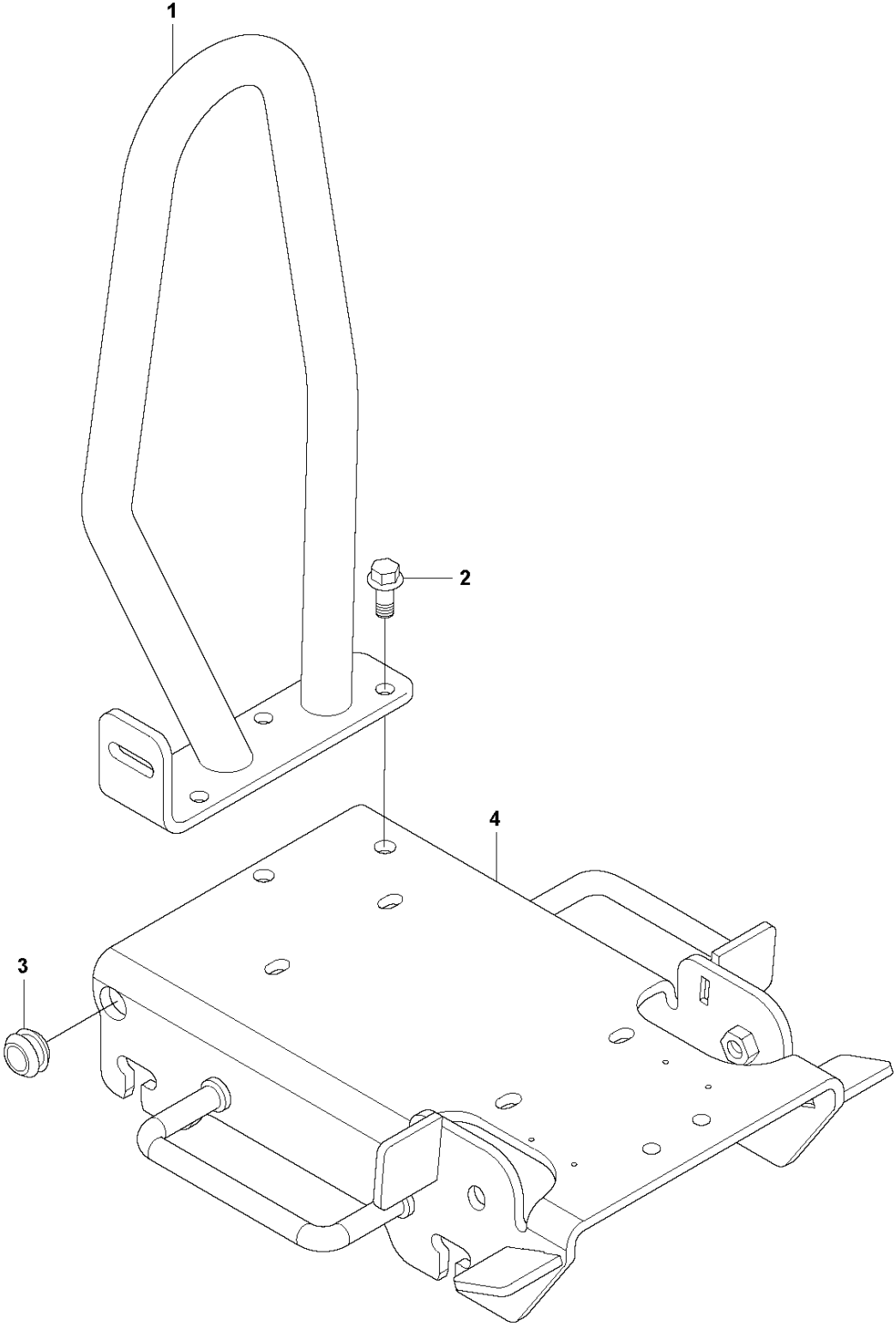


GROUND PLATE INSTALLATION

LF 50, 967854702, 2019-06

Ref	Part No	Description	Remark	QTY KIT
1	594 14 59-01	GROUND PLATE		1
2	594 48 07-01	SHAFT		1
3	594 52 60-01	BALL BEARING		2
4	594 49 01-01	COVER		1
5	594 12 83-01	SEAL	Lip type	1
6	594 48 67-01	PULLEY	V-belt	1
7	594 12 34-01	WASHER	8.4x22x3 300 HV	1
8	594 12 00-01	SCREW	M8x25	1
9	595 03 32-01	SCREW	M6x16 8.8 A2K	6
10	594 49 02-01	COVER		1
11	594 52 59-01	ABSORBER		4
12	595 06 76-01	WASHER	10.5 x 28 x 6 mm,	4
13	594 12 26-01	HEXAGON NUT	M10 x 1.5 mm GEOMET	8
14	594 12 46-01	WASHER	Nordlock NL6 M6 DIA 13.5	6

B LF 50
ENGINE PLATE

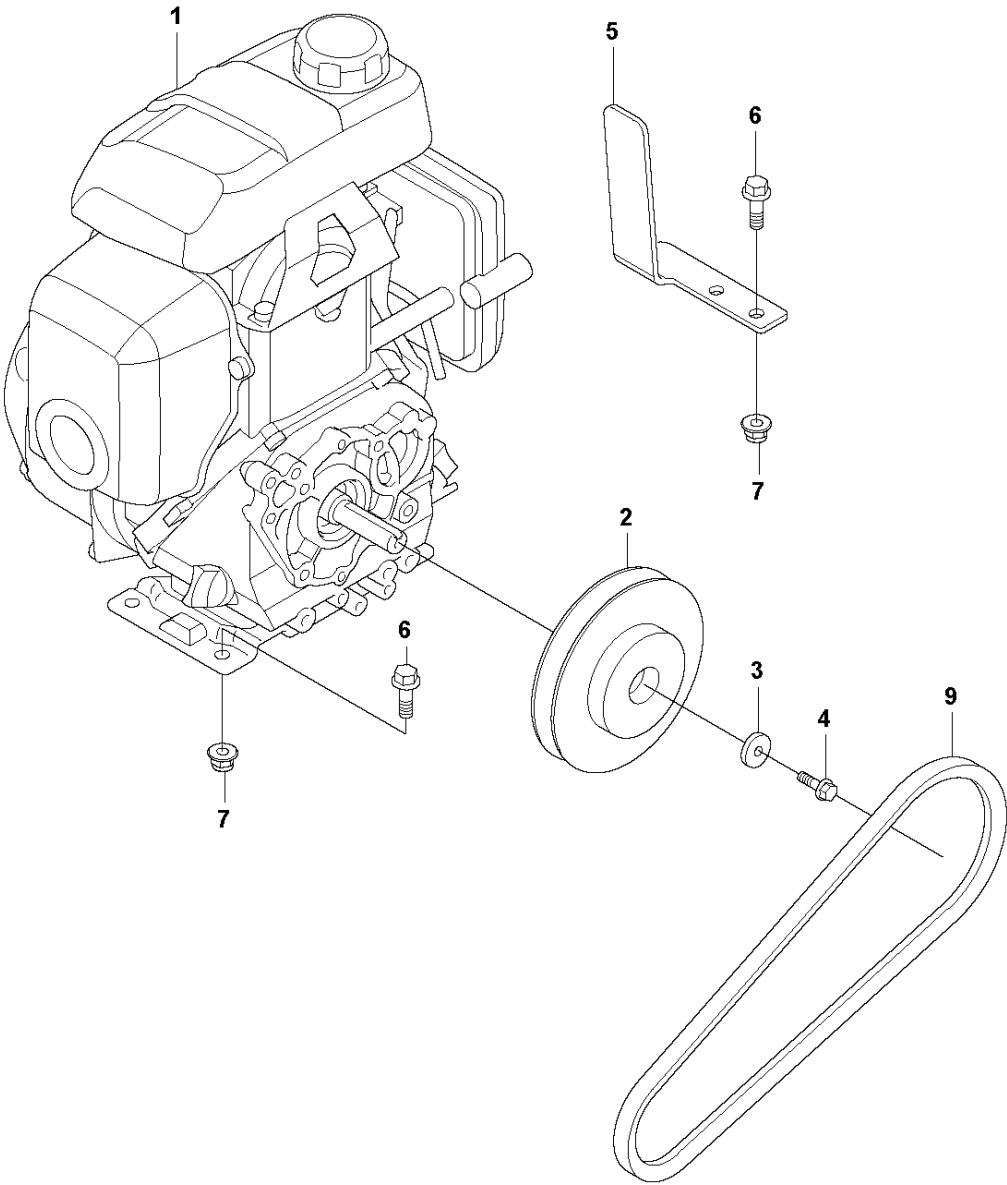


ENGINE PLATE

LF 50, 967854702, 2019-06

Ref	Part No	Description	Remark	QTY KIT
1	594 14 48-01	HANDLE		1
2	594 74 67-01	SCREW	M8 x 20 mm 8.8 A2K	3
3	595 18 81-01	GROMMET		2
4	595 11 97-01	ENGINE PLATE		1

C LF 50
ENGINE INSTALLATION

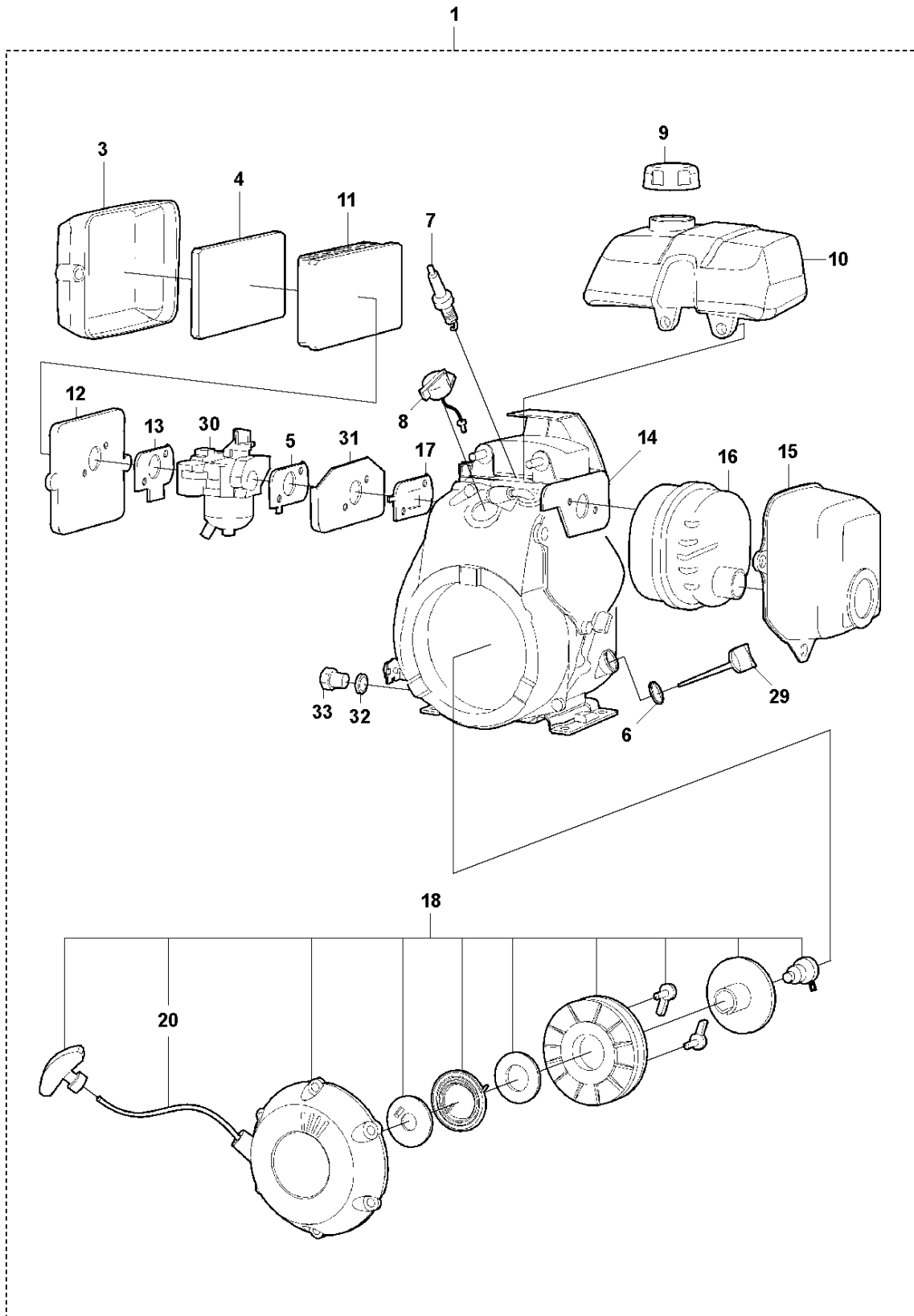


ENGINE INSTALLATION

LF 50, 967854702, 2019-06

Ref	Part No	Description	Remark	QTY KIT
1	596 47 40-01	ENGINE	Engine, complete Honda GXR120UT SE-3 SD, from S/N 20191700750	1
2	594 48 10-01	CENTRIFUGAL CLUTCH	Centrifugal, complete	1
3	595 89 04-01	WASHER	6.4 x 22 x 4 mm,	1
4	594 11 96-01	SCREW	M6 x 20 mm 8.8 A2K	1
5	595 17 75-01	PLATE		1
6	594 12 00-01	SCREW	M8 x 25 mm 8.8 A2K	6
7	594 12 30-01	LOCK NUT	M8 x 1.25 mm A2K	2
9	594 48 87-01	BELT		1

D LF 50
ENGINE - HONDA GXR120UT SE-3 SD

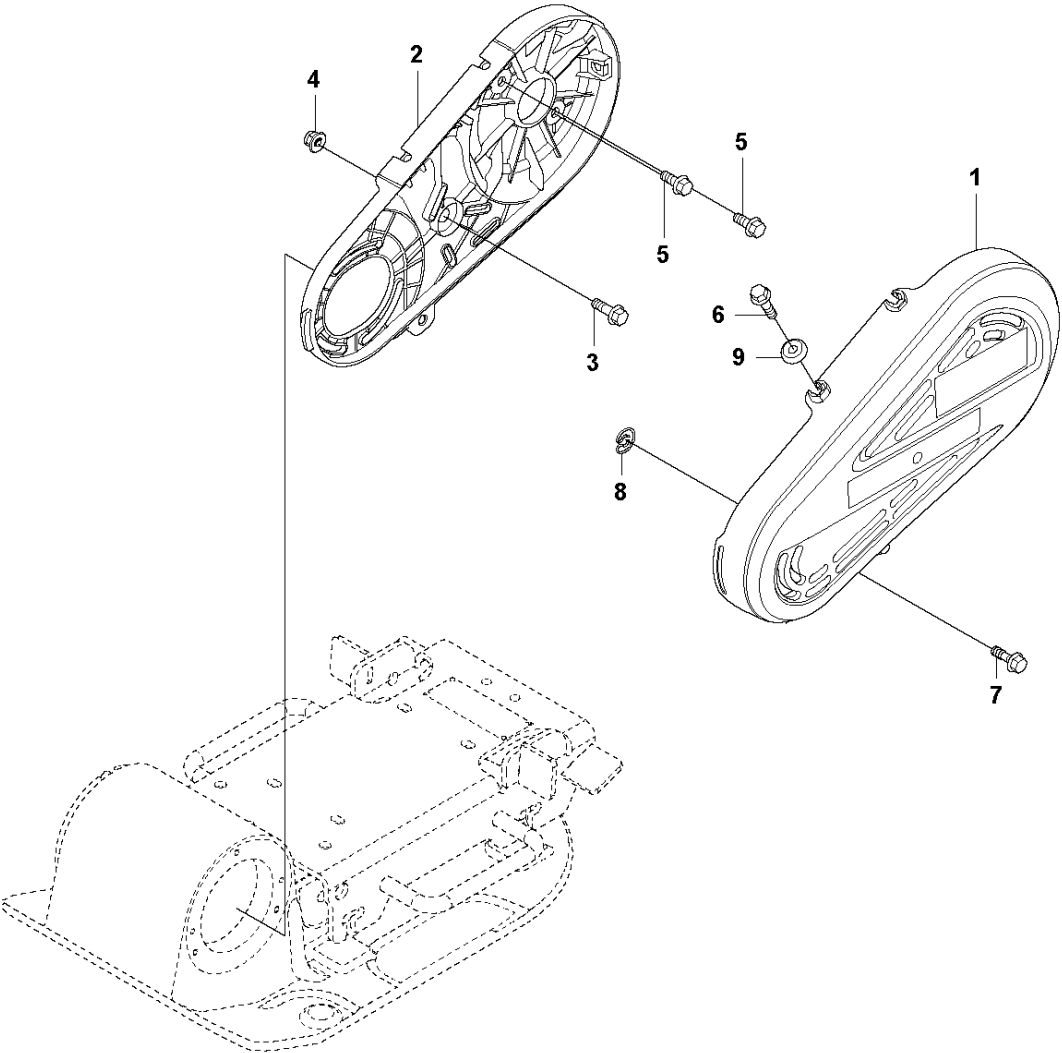


ENGINE

LF 50, 967854702, 2019-06

Ref	Part No	Description	Remark	QTY KIT	
1	596 47 40-01	ENGINE	Engine, complete Honda GXR120UT SE-3 SD, from S/N 20191700750	1	1
3	594 58 59-01	COVER		1	1
4	594 58 50-01	AIR FILTER		1	1
5	594 58 28-01	GASKET		1	1
6	594 58 33-01	GASKET		1	1
7	594 58 51-01	SPARK PLUG		1	1
8	594 60 08-01	SWITCH		1	1
9	594 59 64-01	FUEL CAP		1	1
10	594 59 63-01	FUEL TANK		1	1
11	594 58 49-01	AIR FILTER		1	1
12	594 59 97-01	CASE		1	1
13	594 60 37-01	GASKET		1	1
14	595 47 16-01	GASKET		1	1
15	594 20 21-01	COVER		1	1
16	594 84 93-01	MUFFLER		1	1
17	594 60 68-01	GASKET		1	1
18	594 20 22-01	STARTER	Recoil starterr, Complete	1	1
20	594 59 65-01	ROPE		1	1,18
29	594 58 61-01	OIL		1	1
30	594 59 62-01	CARBURETTOR		1	1
31	594 59 94-01	SPACER		1	1
32	595 04 89-01	GASKET		1	1
33	594 30 39-01	SPRING		1	1

E LF 50
BELT GUARD

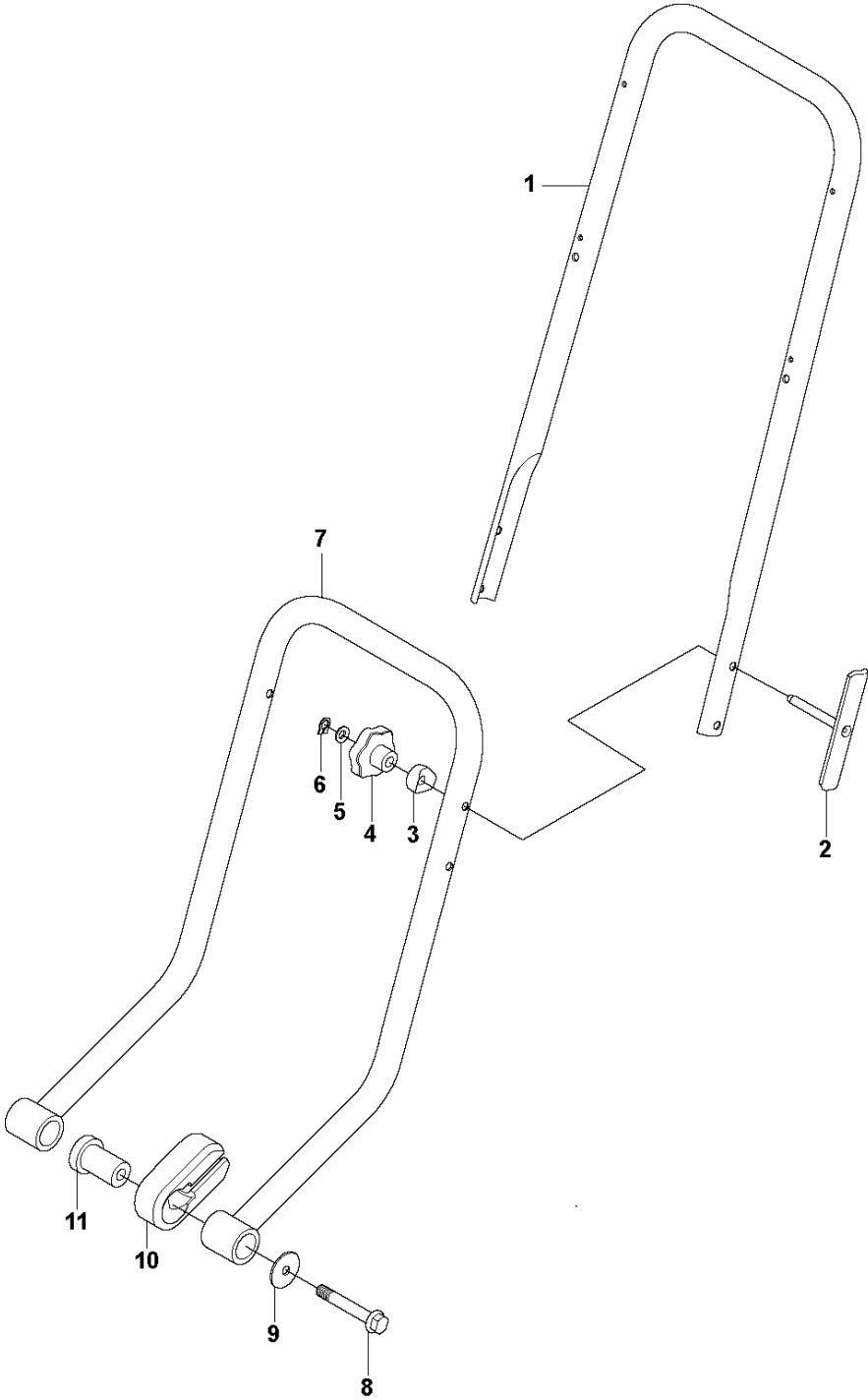


BELT GUARD

LF 50, 967854702, 2019-06

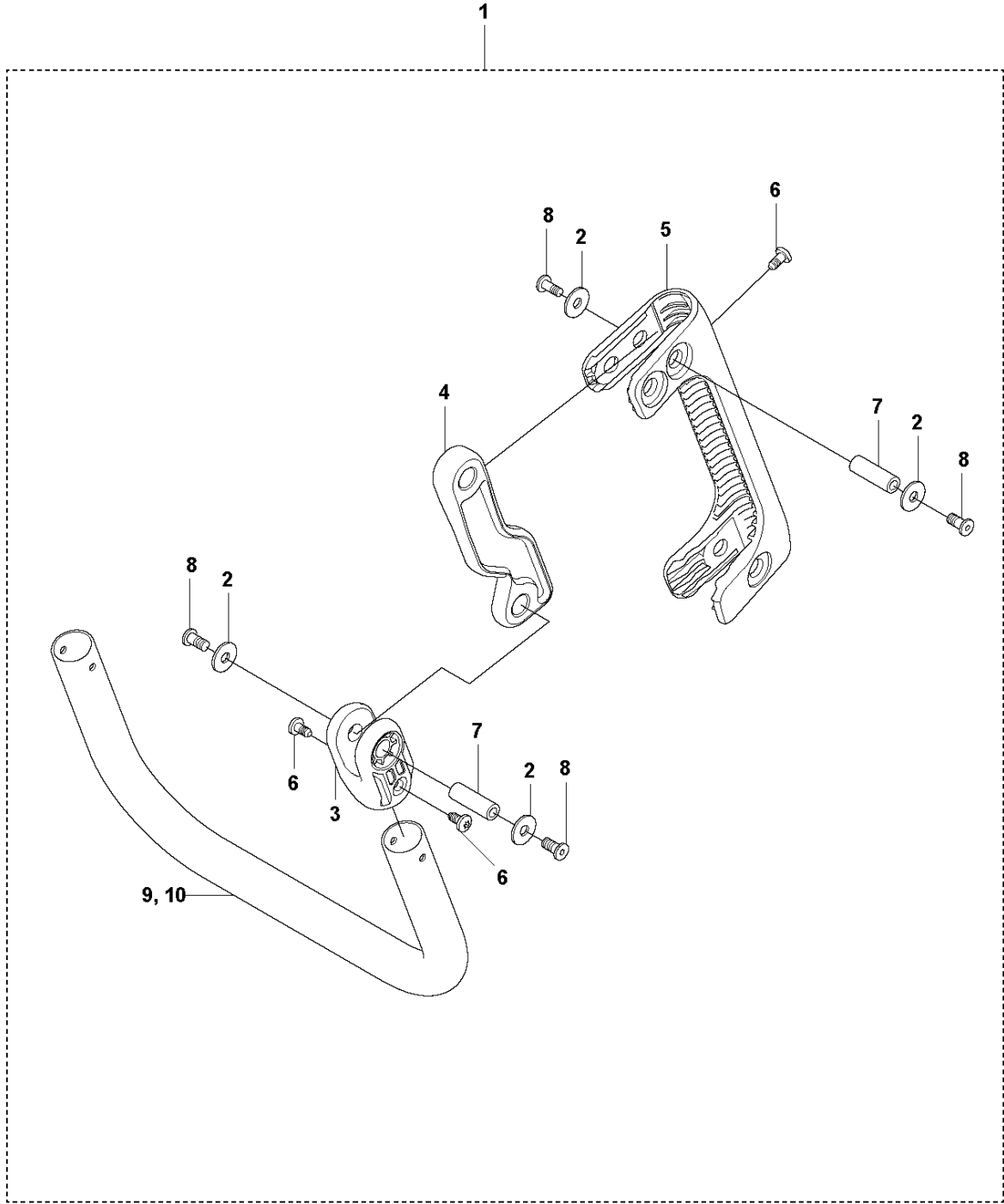
Ref	Part No	Description	Remark	QTY KIT
1	594 96 06-01	BELT GUARD		1
2	594 48 43-01	BELT GUARD		1
3	594 12 00-01	SCREW	M8 x 25 mm 8.8	1
4	594 12 30-01	LOCK NUT	M8 x 1.25 mm	1
5	595 28 73-01	SCREW	M8 x 20 mm	2
6	594 11 98-01	SCREW	M8 x 30 mm	3
7	594 64 80-01	SCREW	M8 x 25 mm 8.8 A2K	1
8	594 65 02-01	LOCKING SPRING		1
9	594 64 78-01	WASHER		3

F LF 50
HANDLE



Ref	Part No	Description	Remark	QTY KIT
1	594 16 88-01	HANDLE		1
2	594 65 44-01	BRACKET		2
3	594 65 42-01	SLEEVE		2
4	594 65 43-01	KNOB		2
5	595 06 71-01	WASHER	5.3 x 10 x 1,	2
6	594 26 55-01	RING	4.8 x 7 x 0.6 mm,	2
7	594 16 89-01	HANDLE		1
8	594 52 48-01	SCREW	M10 x 70 mm 8.8	2
9	595 06 19-01	WASHER	35 x 11 x 2 mm	2
10	594 48 04-01	RADIATOR		2
11	594 48 12-01	BEARING SLEEVE		2

G LF 50
VIBRATION DAMPED HANDLE

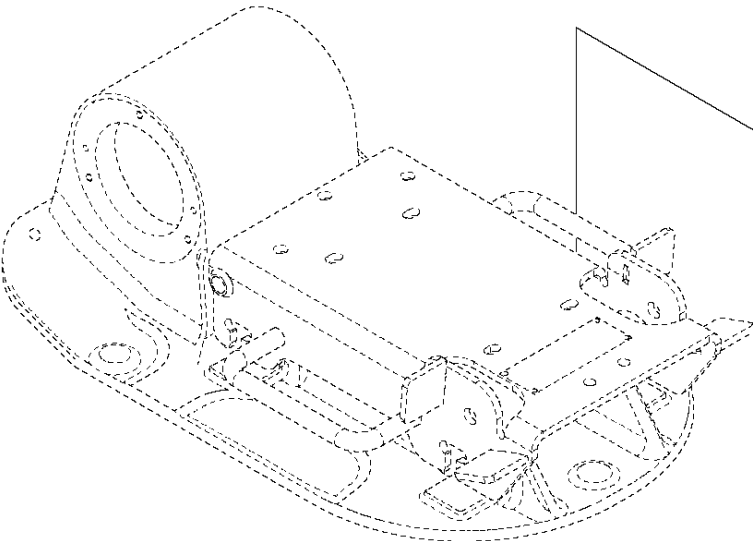
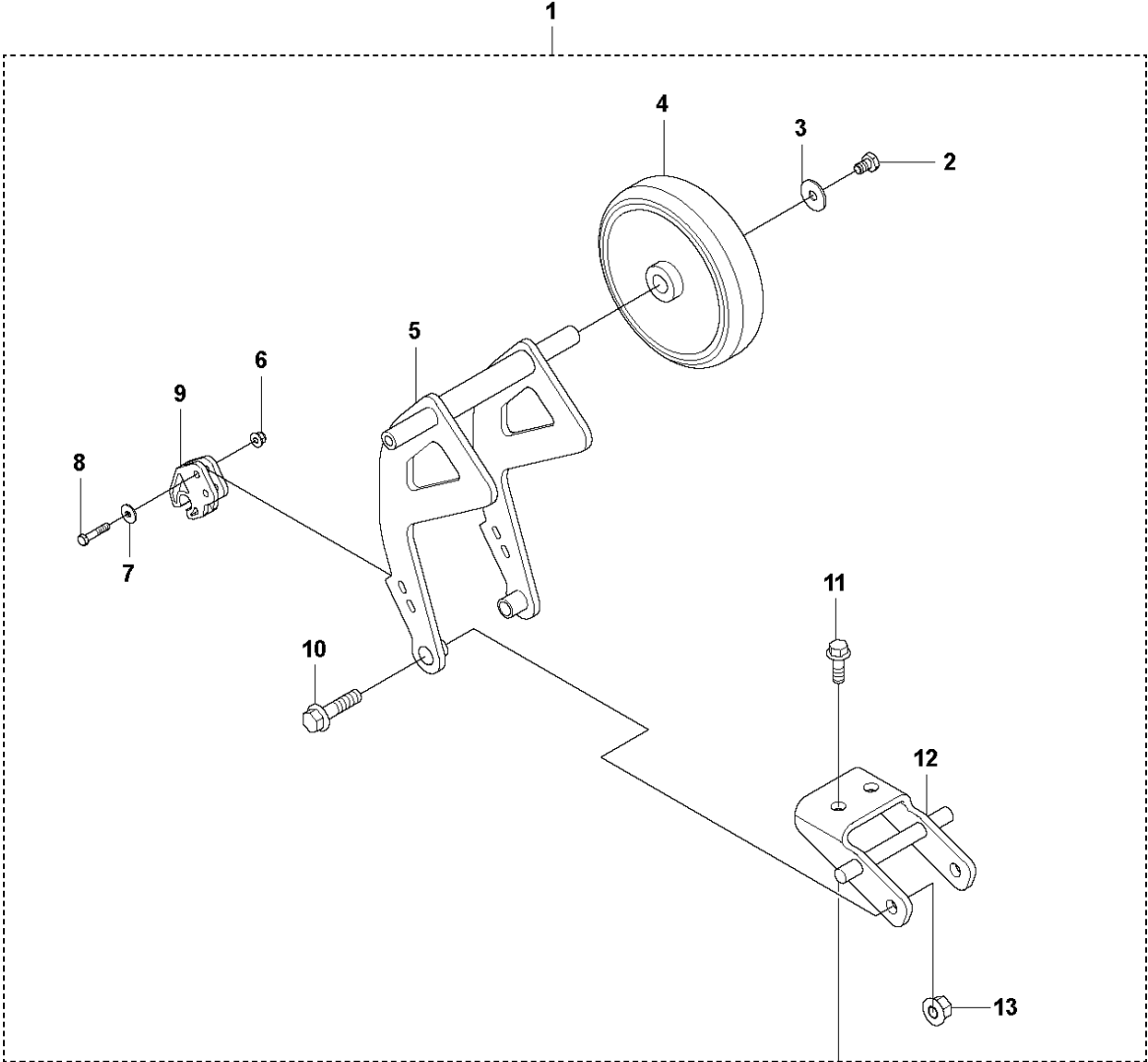


VIBRATION DAMPED HANDLE

LF 50, 967854702, 2019-06

Ref	Part No	Description	Remark	QTY	KIT
1	594 20 51-01	HANDLE		1	
2	594 52 79-01	WASHER	6.4 x 18 x 1.6 mm A2T, 0.25 x 0.71 x 0.06	16	1
3	594 48 22-01	BRACKET		2	1
4	594 48 05-01	ABSORBER		2	1
5	594 48 21-01	BRACKET		2	1
6	594 52 50-01	SCREW	M5 x 10 mm	8	1
7	594 52 47-01	NUT	M6 x 30 mm 8.8	8	1
8	594 52 67-01	SCREW	M6 x 12 mm 10.9	16	1
9	594 48 13-01	HANDLE		1	1
10	595 36 39-01	HANDLE		1	1

H LF 50
TRANSPORT DEVICE

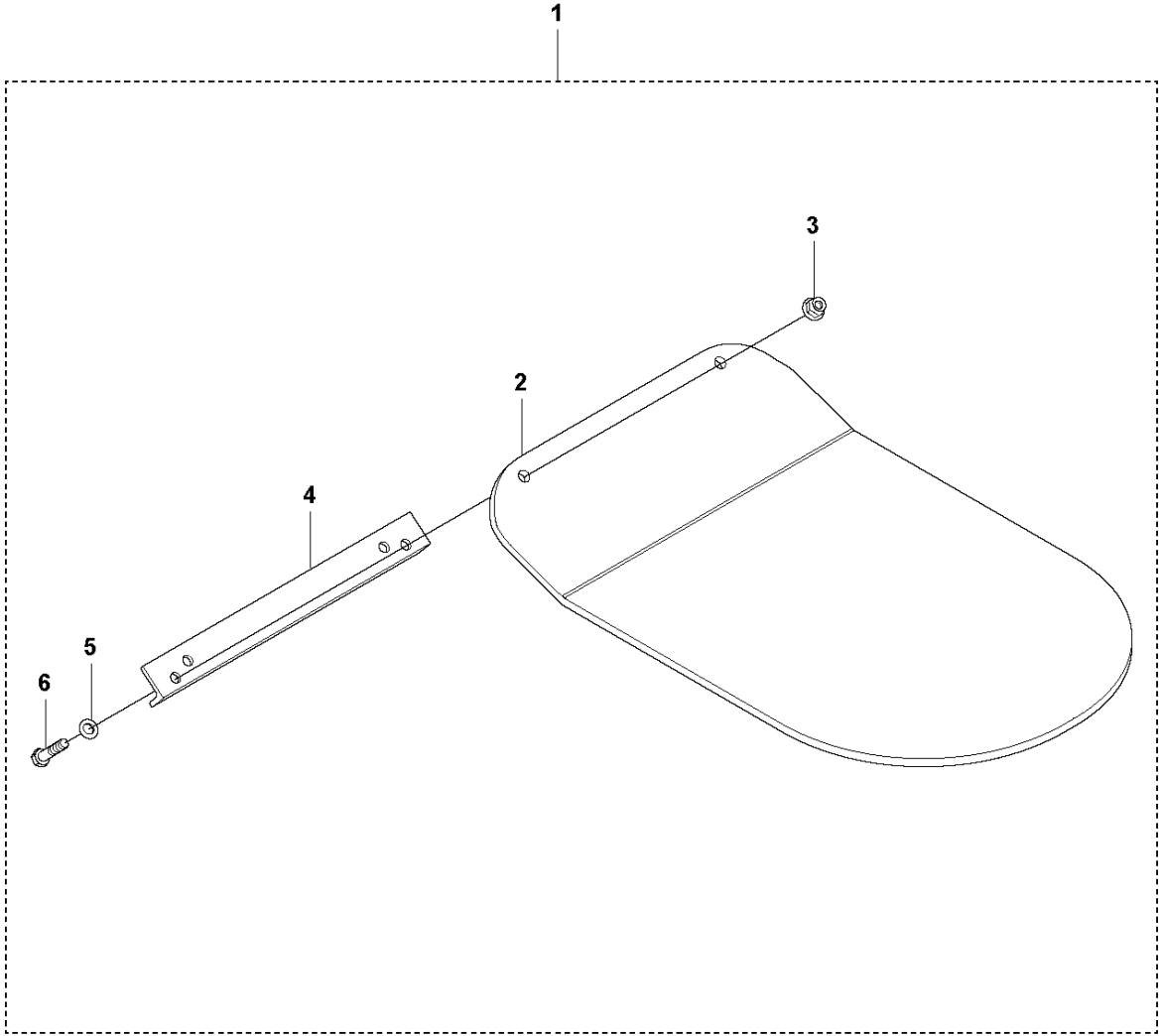


TRANSPORT DEVICE

LF 50, 967854702, 2019-06

Ref	Part No	Description	Remark	QTY KIT	
1	595 12 07-01	TRANSPORT	Transport device kit	1	
2	596 88 97-07	SCREW	M8 x 12 mm 8.8	2	1
3	595 06 10-01	WASHER	8.4 x 25 x 2 mm	2	1
4	594 45 55-01	WHEEL		2	1
5	595 12 10-01	BRACKET		1	1
6	595 35 24-01	NUT	M5 A2K	4	1
7	595 99 29-01	WASHER	8.4 x 25 x 2 mm	4	1
8	595 88 74-01	SCREW	M5 x 25 mm	4	1
9	594 45 57-01	HOOD		2	1
10	597 86 74-01	SCREW	W/ flange, M10 x 40 mm	2	1
11	594 12 00-01	SCREW	M8 x 25 mm	2	1
12	595 12 09-01	BRACKET		1	1
13	595 06 47-01	LOCK NUT	M10 x 1.5 mm	2	1

J LF 50
BLOCK PAVING PLATE

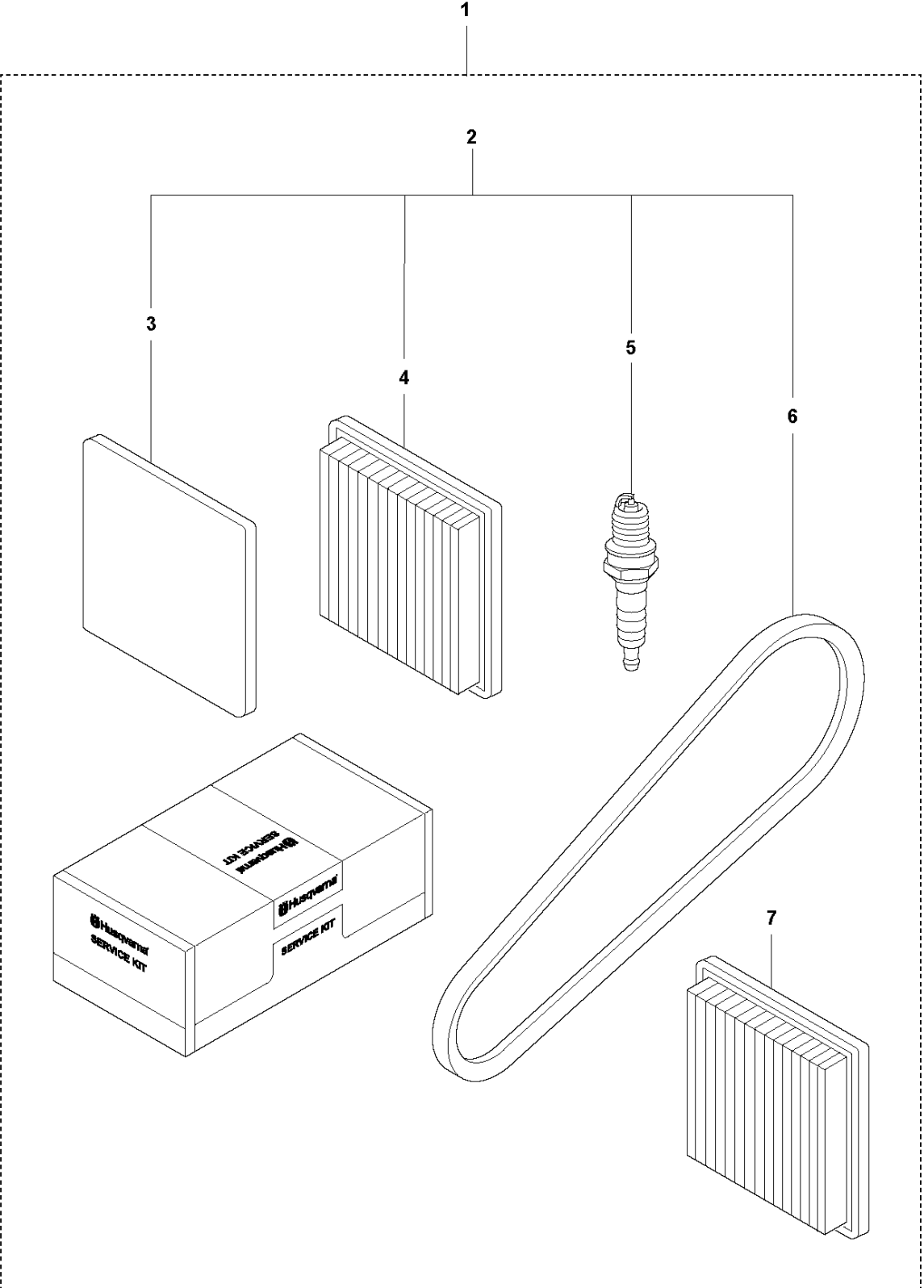


BLOCK PAVING PLATE

LF 50, 967854702, 2019-06

Ref	Part No	Description	Remark	QTY KIT	
1	594 75 72-01	BLOCK PAVING KIT		1	
2	595 12 76-01	BLOCK		1	1
3	594 12 30-01	LOCK NUT	M8	2	1
4	594 18 18-01	BRACKET		1	1
5	595 03 66-01	WASHER	8,4/16x1,5 DIN125	2	1
6	595 11 02-01	BOLT	M08	2	1

K LF 50
START UP KIT

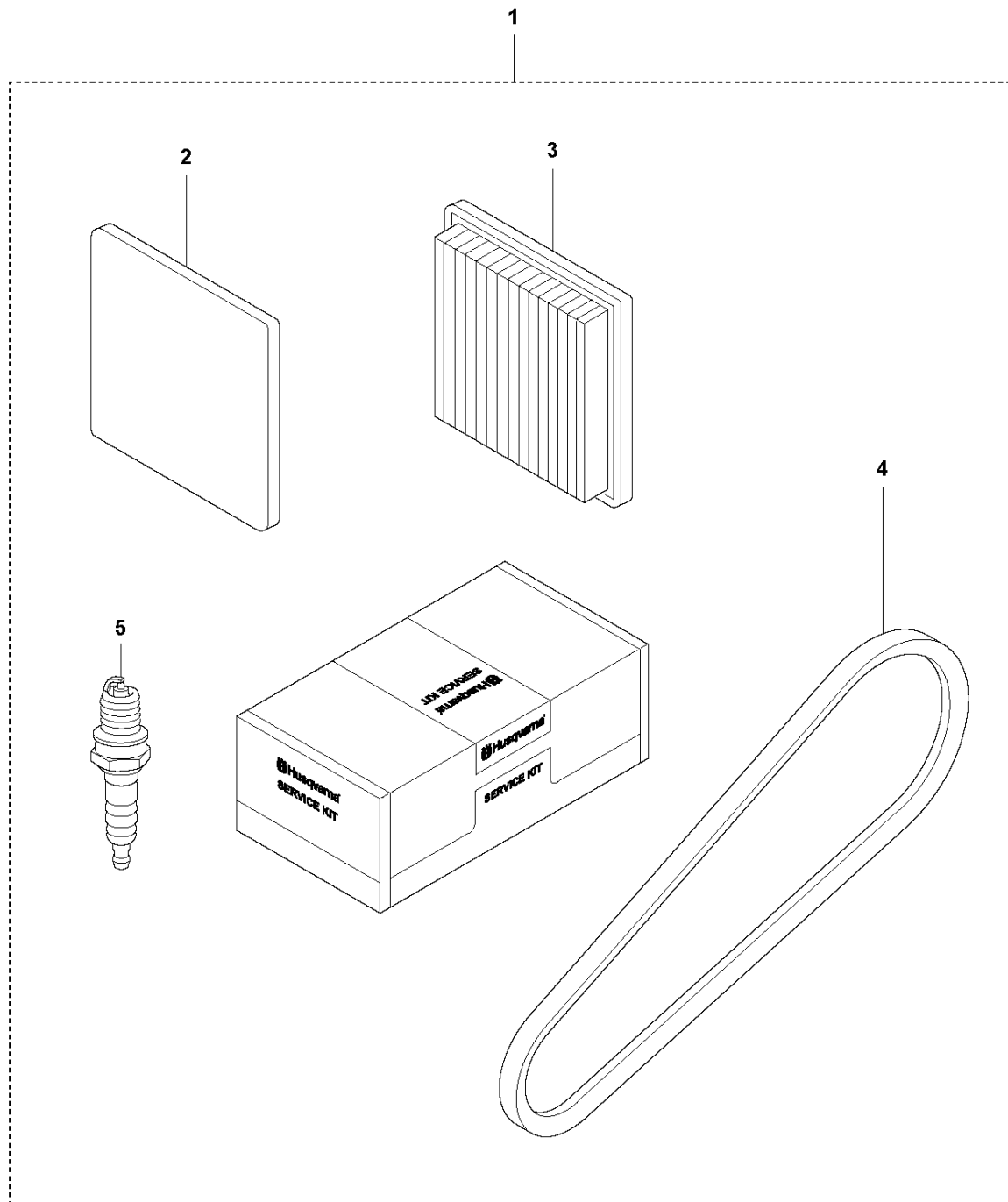


START UP KIT

LF 50, 967854702, 2019-06

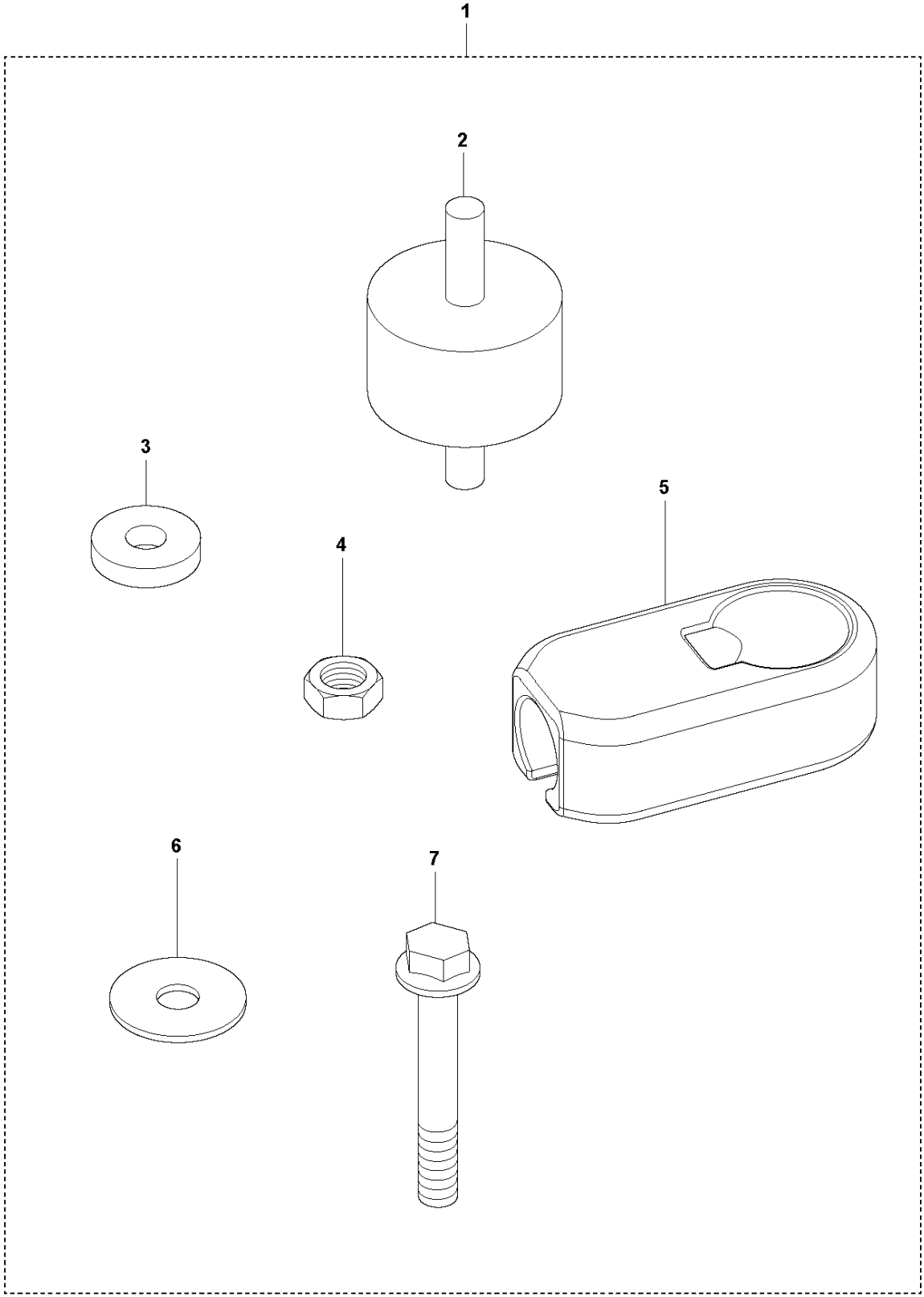
Ref	Part No	Description	Remark	QTY KIT	
1	594 21 42-01	SERVICE KIT	Start up kit	1	
2	594 21 57-02	SERVICE KIT	One year service kit	1	1
3	594 58 50-01	AIR FILTER	Outer	1	1,2
4	594 58 49-01	AIR FILTER	Element	1	1,2
5	594 58 51-01	SPARK PLUG		1	1,2
6	594 48 87-01	BELT		1	1,2
7	594 58 49-01	AIR FILTER		1	1

L LF 50
12 MONTHS / 200 HOURS SERVICE KIT



Ref	Part No	Description	Remark	QTY KIT	
1	594 21 57-02	SERVICE KIT	One year service kit	1	
2	594 58 50-01	AIR FILTER	Outer	1	1
3	594 58 49-01	AIR FILTER	Element	1	1
4	594 48 87-01	BELT		1	1
5	594 58 51-01	SPARK PLUG		1	1

M LF 50
SHOCK ABSORBER REPAIR KIT

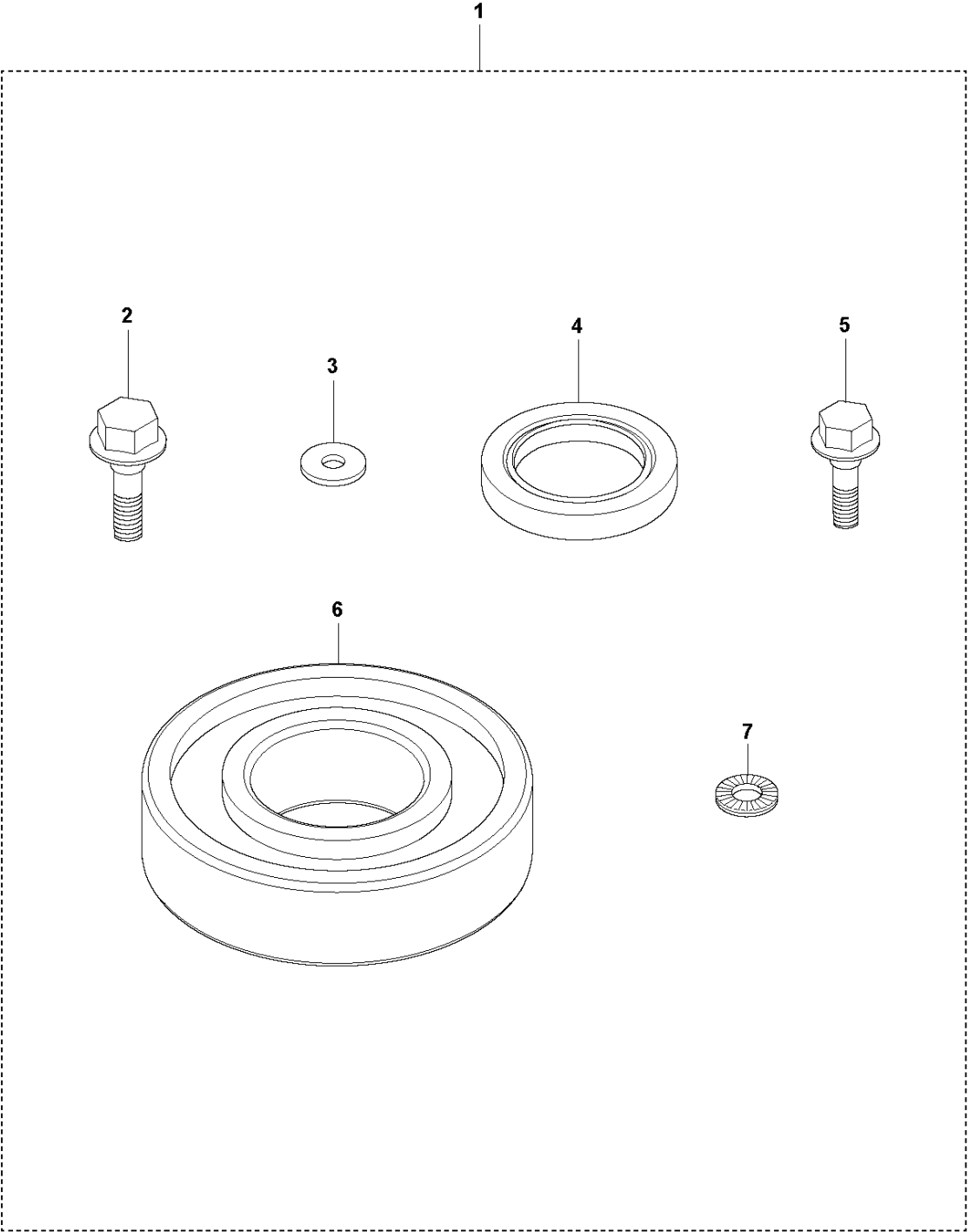


SHOCK ABSORBER REPAIR KIT

LF 50, 967854702, 2019-06

Ref	Part No	Description	Remark	QTY KIT	
1	594 19 45-01	REPAIR KIT		1	
2	594 52 59-01	ABSORBER		4	1
3	595 06 76-01	WASHER	10.5 x 28 x 6 mm, 0.41 x 1.10 x 0.24 in. 300 HV	4	1
4	595 18 48-01	HEXAGON NUT	M10 A3K	8	1
5	594 48 04-01	RADIATOR		2	1
6	595 06 19-01	WASHER	11 x 35 x 2 mm, 0.43 x 1.38 x 0.08 in	2	1
7	594 52 48-01	SCREW	M10 x 70 mm 8.8 A3K	2	1

N LF 50
ECCENTRIC ELEMENT REPAIR KIT

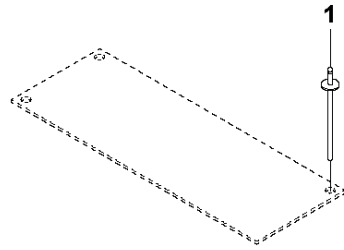


ECCENTRIC ELEMENT REPAIR KIT

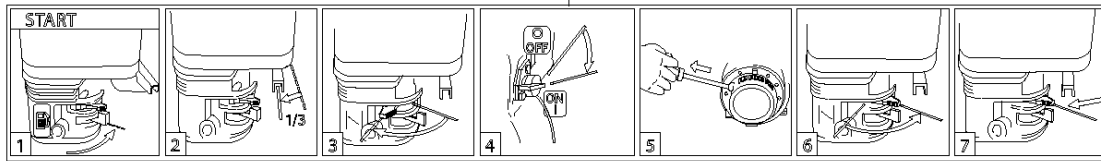
LF 50, 967854702, 2019-06

Ref	Part No	Description	Remark	QTY KIT	
1	594 19 43-01	REPAIR KIT		1	
2	594 12 00-01	SCREW	M8 x 25 mm 8.8 A2K,	1	1
3	594 12 34-01	WASHER	8.4 x 22 x 3 mm, 0.33 x 0.87 x 0.12 in. HV300	1	1
4	594 12 83-01	SEAL		1	1
5	595 03 32-01	SCREW	M6 x 16 mm 8.8 A2K	6	1
6	594 52 60-01	BALL BEARING		2	1
7	594 12 46-01	WASHER	Nordlock NL6 M6 DIA 13.5	6	1

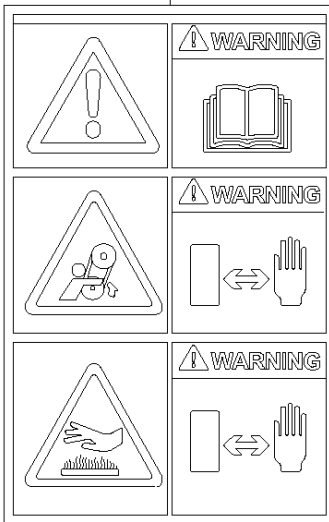
S LF 50
DECALS



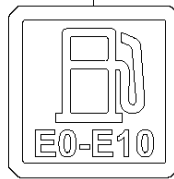
2



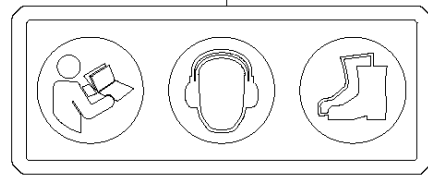
3



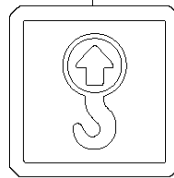
4



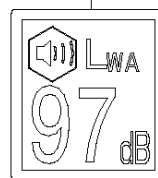
5



6



7



8



9



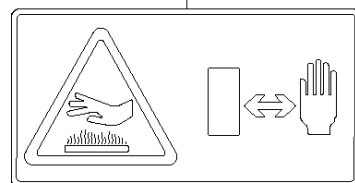
10



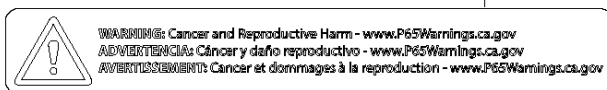
11



12



13



DECALS

LF 50, 967854702, 2019-06

Ref	Part No	Description	Remark	QTY KIT
1	595 18 02-01	SCREW		4
2	594 48 62-01	DECAL	Start instruction	1
3	594 48 63-01	DECAL	Instruction	1
4	594 66 02-01	LABEL	Fuel, Gasoline	1
5	594 65 96-01	LABEL	Protection	1
6	594 66 09-01	LABEL	lifting point	2
7	531 40 36-01	DECAL	Sound power	1
8	595 31 98-01	DECAL	Husqvarna crown	1
9	596 28 77-01	DECAL	Husqvarna logo	1
10	595 09 41-01	DECAL	Model	1
11	596 28 02-01	DECAL	Compliance	1
12	595 18 61-01	DECAL	Hot surface	1
13	595 87 17-01	LABEL		1