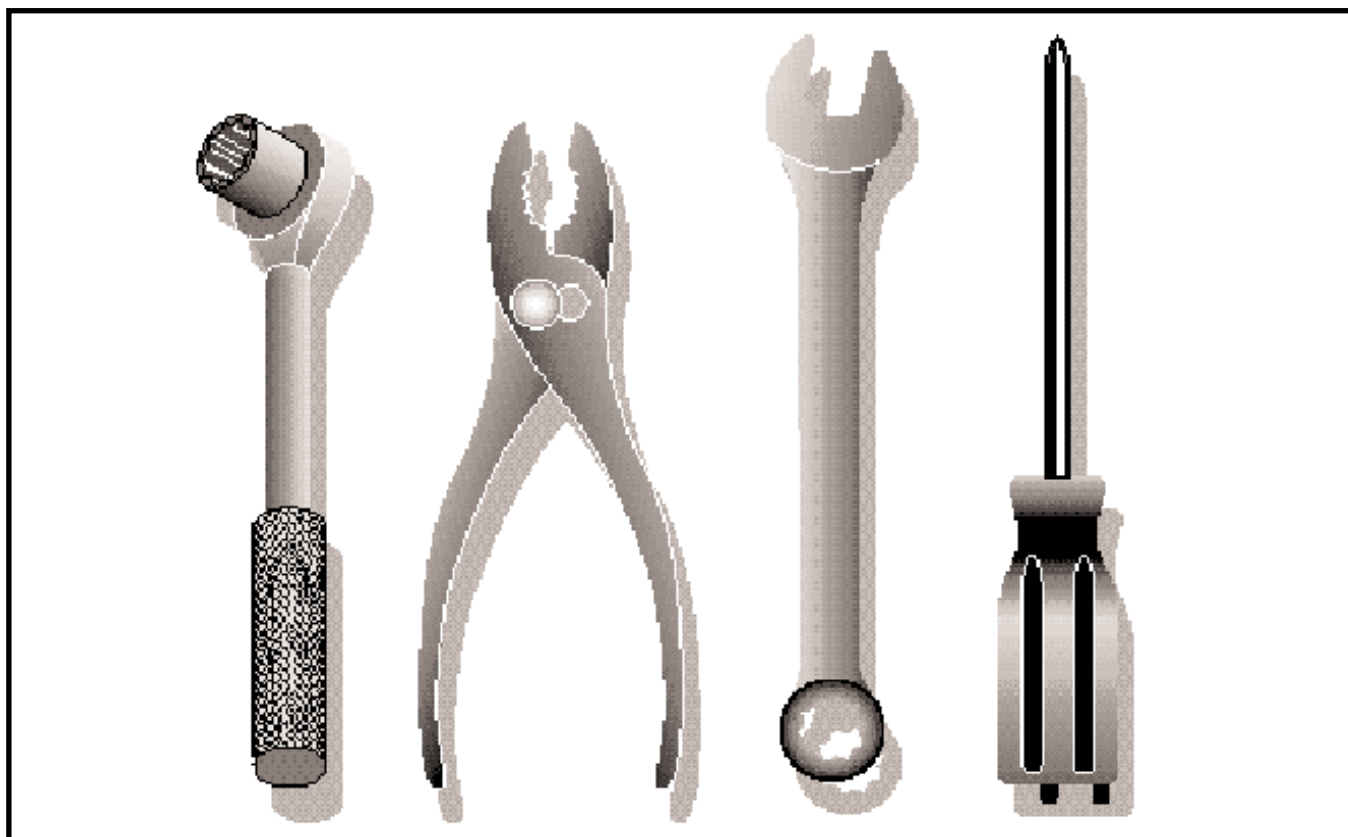


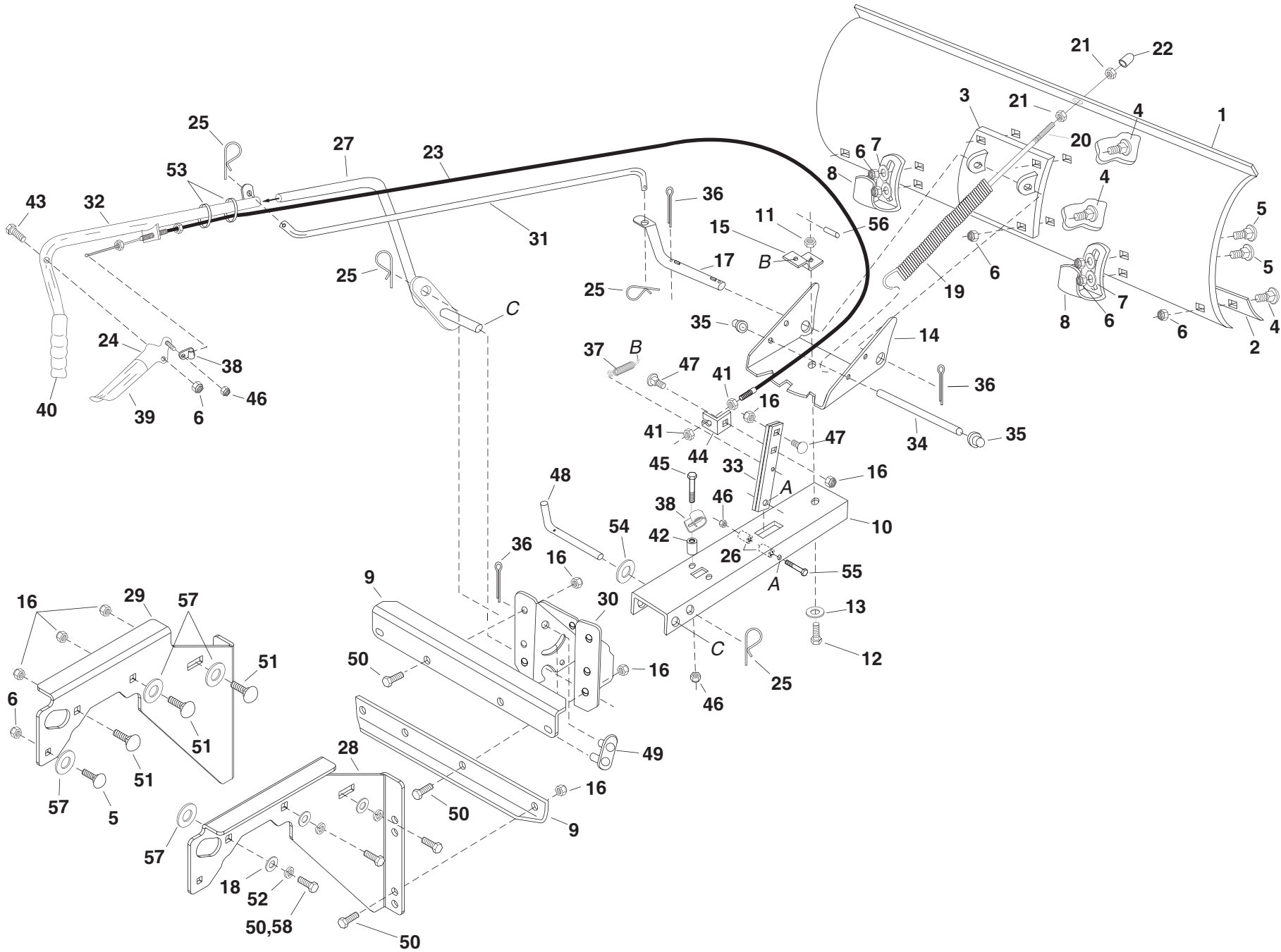
48" Snow Blade

## LBD48

490-900A-0030



**REPAIR PARTS FOR MODEL 490-900A-0030 - 48" SNOW BLADE**



**REPAIR PARTS LIST FOR MODEL 490-900A-0030 - 48" SNOW BLADE**

REF. NO.	PART NO.	QTY.	DESCRIPTION	REF. NO.	PART NO.	QTY.	DESCRIPTION
1	23955	1	Blade 48"	33	23151	2	Angle Lock Bar
2	23956	1	Wear Plate 48"	34	23856	1	Spring Mount Rod
3	62980	1	Reinforcement Plate Assembly	35	44917	2	Palnut, 3/8"
4	43080	6	Bolt, Carriage 5/16-18 x 3/4"	36	43010	3	Cotter Pin 1/8" x 1-1/4"
5	44326	6	Bolt, Carriage 5/16-18 x 1"	37	43348	1	Angle Lock Spring
6	47810	13	Nylock Nut, 5/16-18 Thread	38	746-0260	2	Cable End Fitting
7	43081	4	Washer, 5/16"	39	731-0869	1	Grip, Plastic
8	24690	2	Skid Shoe	40	46471	1	Handle, Grip
9	25647	2	Bracket, Angle Support	41	712-0256	2	Hex Jam Nut, 5/16-24 Thread
10	24347	1	Push Channel	42	23658	1	Spacer
11	43262	1	Hex Lock Nut, 1/2-13 Thread	43	43085	1	Hex Bolt, 5/16-18 x 1-1/2"
12	23131	1	Bolt, Special Pivot	44	05762	1	Cable Mount Bracket
13	1540-118	1	Washer, Flat 1/2"	45	43648	1	Hex Bolt, 1/4-20 x 1-1/2"
14	23958	1	Plate, Pivot 7 Ga.	46	47189	3	Nylock Hex Nut, 1/4"
15	23130	1	Bracket, Spring Mt.	47	710-0305	2	Carriage Bolt, 3/8-16 x 1-1/4"
16	HA21362	16	Nylock Hex Nut, 3/8"	48	46065	1	Channel Pivot Pin
17	46066	1	Shaft, Blade Pivot	49	63034	1	Lift Link Assembly
18	43070	6	Washer, 3/8" STD.	50	43001	14	Hex Bolt, 3/8-16 x 1"
19	R9466R	1	Spring, Blade Adjust	51	43350	6	Carriage Bolt, 3/8-16 x 1"
20	44071	1	Hex Bolt, 3/8-16 x 3-1/2"	52	43003	6	Lock Washer 3/8"
21	43015	2	Hex Nut, 3/8-16 Thread	53	726-0178	2	Plastic Tie
22	44074	1	Plastic Cap	54	R19171616	1	Washer
23	49808	1	Control Cable Assembly	55	46071	1	Hex Bolt, 1/4-20 x 3-1/4" Lg. Gr 5
24	62561	1	Release Grip Assembly	56	43349	1	1/4" x 1" Spring Pin
25	43055	4	Pin, Hairpin Small 3/32"	57	R19172410	6	Washer, 1/2" (Large)
26	46053	2	Spacer, .28 ID x 1"	58	47631	6	Hex Bolt, 3/8" x 1" (Thd. Forming)
27	63033	1	Lift Handle Rod Assembly		49964	1	Owners Manual
28	25646	1	Hanger Bracket, R.H.				
29	25645	1	Hanger Bracket, L.H.				
30	24023	1	Pivot Support Bracket				
31	46049	1	Rod, Blade Pivot				
32	65519	1	Lift Handle Tube Assembly				