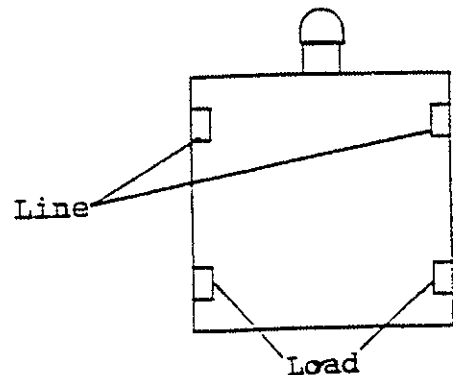


PARTS LIST FOR AFTER SALES SERVICE MODEL L120U

RE.	PART NO.	DESCRIPTION	QTY	REF	PART NO.	DESCRIPTION	QTY
1	6520331	CORD ASS'Y AWG#18X2X2	1	35	6370056	DUST SPONGE	1
2	6560044	CORD HOLDER	1	36	6850153	FRONT SHOE	1
3	6560067	CORD CLAMP	1	37	6590134	HOUSING INSULATOR	1
4	9060414	TAPPING SCREW (B) M4X14	2	38	9020514	PHILLIPS PAN SCREW M5X14	3
5	6830441	HANDLE (B)	1	41	6800422	MAIN SHOE	1
6	9040414	TAPPING SCREW (B) M4X14	2	42	9642600	WAVE WASHER	1
7	9020425	PHILLIPS PAN SCREW M4X25	5	43	9840629	BALL BEARING #629LLB	1
8	9060410	TAPPING SCREW (B) M4X10	1	44	6940150	CUTTER BLOCK COMPLETE	1
9	6550101	TRIGGER SWITCH	1	44-1	6940578	CUTTER BLOCK	1
10	9150516	FLAT TAPPING SCREW (S) M5X16	2	44-2	6940149	BLADE BINDER	2
11	6830428	HANDLE (A)	1	44-3	6130052	PAN SCREW M4X8	4
12	9310400	HEX NUT M4	5	44-4	6131157	HEX HEAD BOLT M6X17	6
13	6880311	TAIL COVER	1	45	969235005	BALL BEARING #6200LLU	1
14	6920233	"RYOBI" MARK	1	46	9020406	PHILLIPS PAN SCREW M4X6	2
15	6910746	NAME PLATE	1	47	6150512	BLOW GUIDE	1
16	6800437	MOTOR HOUSING	1	48	6880292	BLOCK COVER	1
*..	6800436	MOTOR HOUSING	1	49	9020408	PHILLIPS PAN SCREW M4X8	3
17	6500450	FIELD COIL	1	50	6860030	PULLEY (L)	1
*..	6500434	FIELD COIL	1	51	6860041	POLY V-BELT	1
18	9550400	SPRING WASHER M4	2	52	6880317	BELT COVER	1
19	9060450	TAPPING SCREW (B) M4X50	2	53	9020408	PHILLIPS PAN SCREW M4X8	1
*	9060460	TAPPING SCREW (B) M4X60	2	54	6920003	"RYOBI" MARK #8	1
	9840627	BALL BEARING #627LLB	1				
21	6030479	ARMATURE	1	STANDARD ACCESSORIES			
*..	6030473	ARMATURE	1	500	6240063	"T" TYPE WRENCH 9	1
22	989377002	BALL BEARING #6000LLU	1	501	6240023	SCREWDRIVER SLOTTED	1
23	6490094	FAN CASING	1	502	6071853	BLADE ADJUSTMENT GAUGE	1
24	6360085	BRACKET	1	503	6070163	SHARPENING HOLDER	1
25	6860028	PULLEY (S)	1	503-1	6130179	PHILLIPS PAN SCREW M6X12	4
26	9020425	PHILLIPS PAN SCREW M4X25	3	504	6070803	RABBETING GUIDE	1
27	6570070	BRUSH CAP	2	504-1	6900101	WASHER	1
28	6540033	CARBON BRUSH SET	1	504-2	6130314	PAN SCREW M5X10	1
29	6570026	BRUSH HOLDER	2	506	6070793	SIDE PLATE	1
30	9020425	PHILLIPS PAN SCREW M4X25	2	506-1	6130314	PAN SCREW M5X10	2
31	6830456	KNOB	1	510	6660223	3-5/8" PLANNER BLADE	1
32	6920225	DEPTH SCALE "INCH"	1				
33	9561000	WASHER	1				
34	6180069	COMPRESSION SPRING	1				

SERVICE NOTES:

* MOTOR STYLE USED PRIOR TO SERIAL #053894 9224
NOT INTERCHANGEABLE WITH NEW STYLE MOTOR.



HAND PLANER

L-120U

