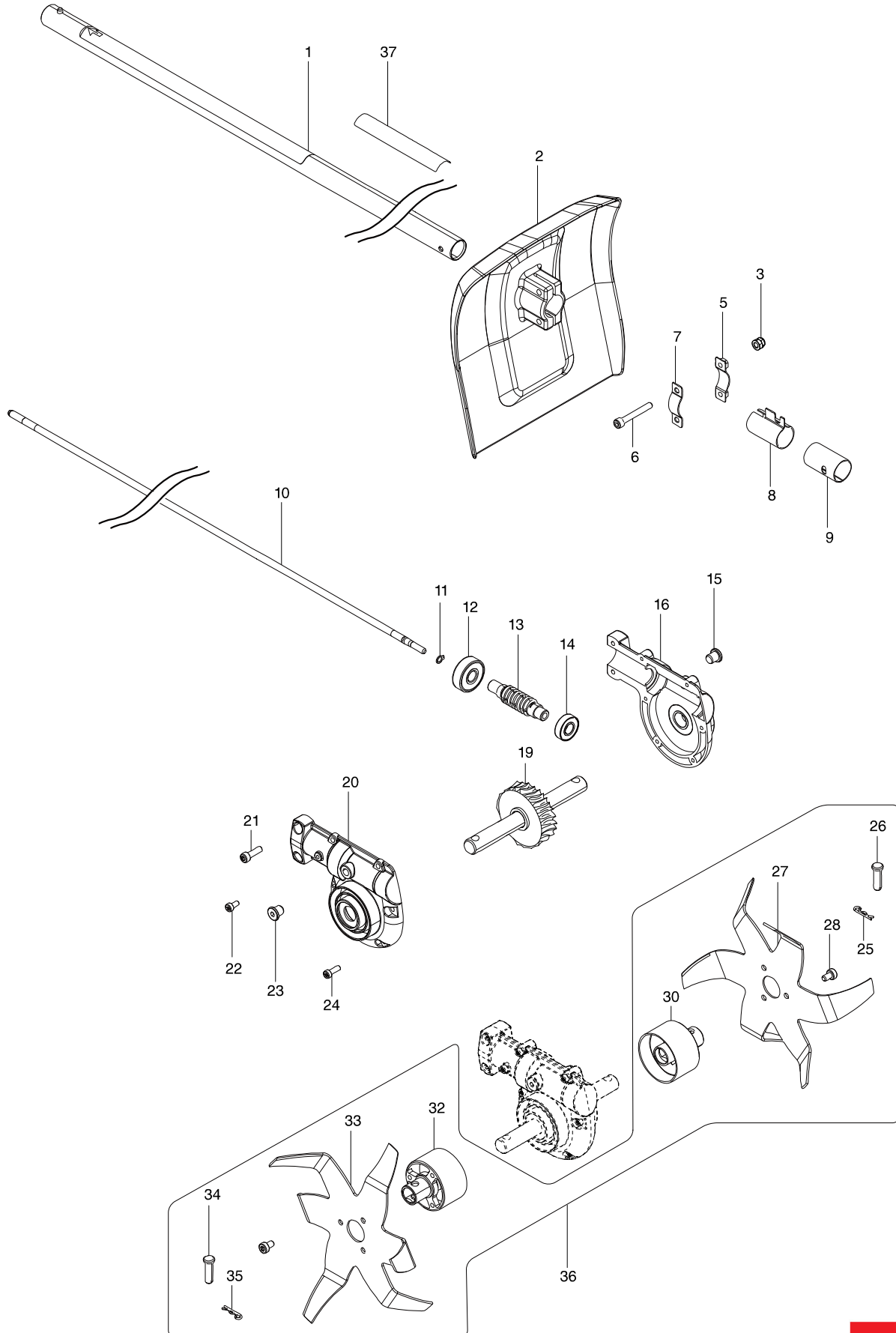




**KR401MP**



Products with multiple versions are listed in subsiding order with the newest version on top not indented.

Section	Fig. No.	Part No.	Description	KR401MP	Tech Bulletin	Notes
1	1	140B89-9	SHAFT PIPE COMPLETE A	1		
1	2	140C74-8	ROTARY COVER COMPLETE M	1		
1	3	XNR0000516	HARD LOCK NUT RIM	2		
1	5	XNR0000487	GUARD CLAMP B	1		
1	6	XNR0000517	H.L.SOCKET HEAD BOLT M6X45	2		
1	7	XNR0000518	COVER HOLDER A	1		
1	8	XNR0000443	COVER SLEEVE	1		
1	9	XNR0000519	COLLAR	1		
1	10	326088-5	SHAFT A	1		
1	11	961003-8	RETAINING RING S-7	1		
1	12	XNR0000520	BALL BEARING 6301LL	1		
1	13	XNR0000521	WORM COMPLETE	1		
1	14	XNR0000052	BALL BEARING #6001ZZ	1		
1	15	XNR0000495	BOLT	1		
1	15	XNR0000522	PLUG	1		
1	16	XNR0000536	WORM CASE A COMPL	1		
1	19	XNR0000525	WHEEL COMPLETE	1		
1	20	XNR0000537	WORM CASE B COMPL	1		
1	21	XNR0000527	H.L.SOCKET HEAD BOLT M6X20	2		
1	22	XNR0000528	H.L.SOCKET HEAD BOLT M5X10	1		
1	23	XNR0000495	BOLT	1		
1	23	XNR0000522	PLUG	1		
1	24	XNR0000529	H.L.SOCKET HEAD BOLT M5X15	6		
1	25	XNR0000530	R PIN	1		
1	26	XNR0000531	PIN	1		
1	27	XNR0000532	ROTOR L	1		
1	28	XNR0000533	H.L.SOCKET HEAD BOLT M6X10	6		
1	30	XNR0000534	HUB	1		
1	32	XNR0000534	HUB	1		
1	33	XNR0000535	ROTOR R	1		
1	34	XNR0000531	PIN	1		
1	35	XNR0000530	R PIN	1		
1	36	199204-0	ROTOR LR SET	1		INC. 25-28,30,32,33-35