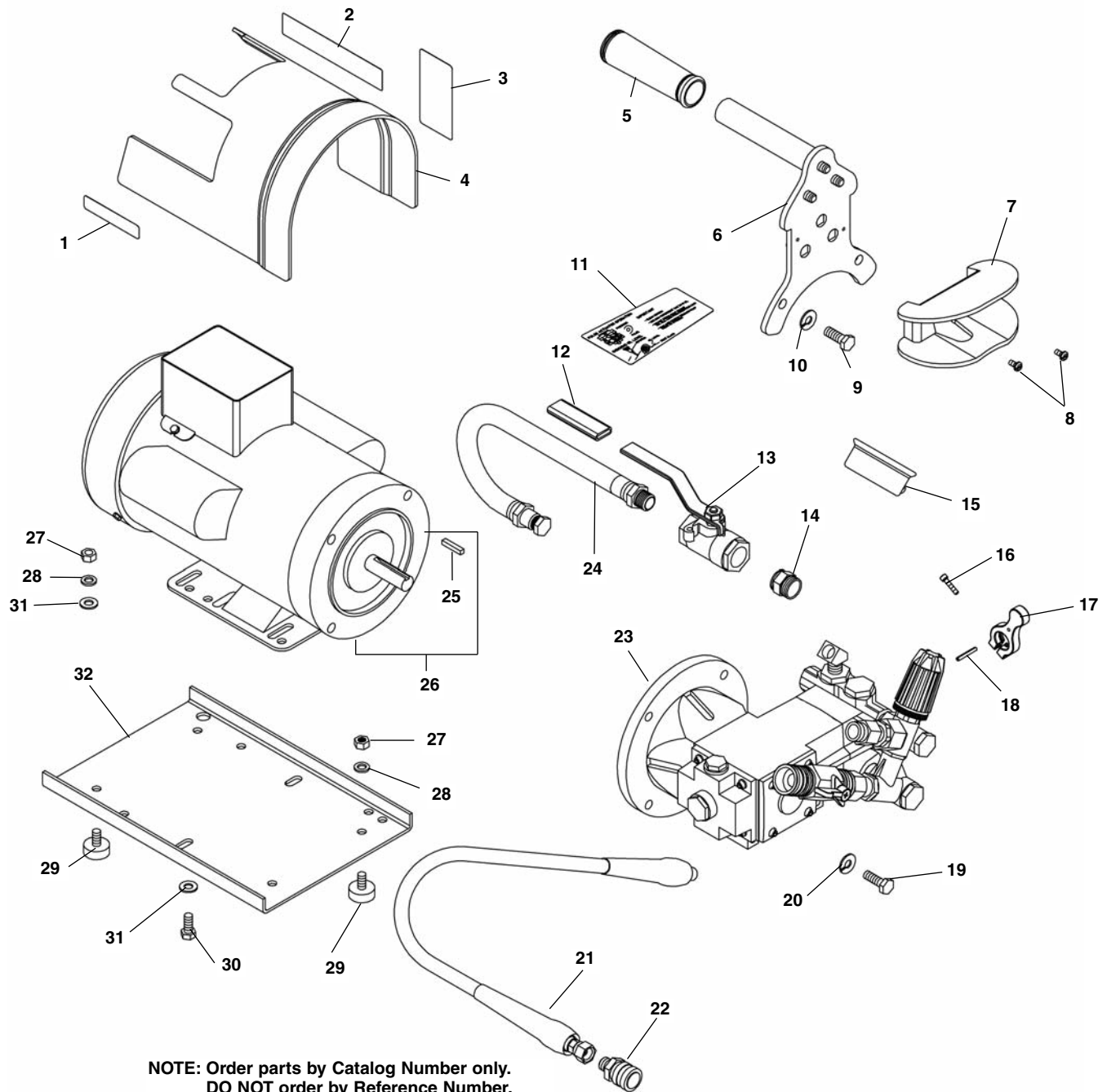


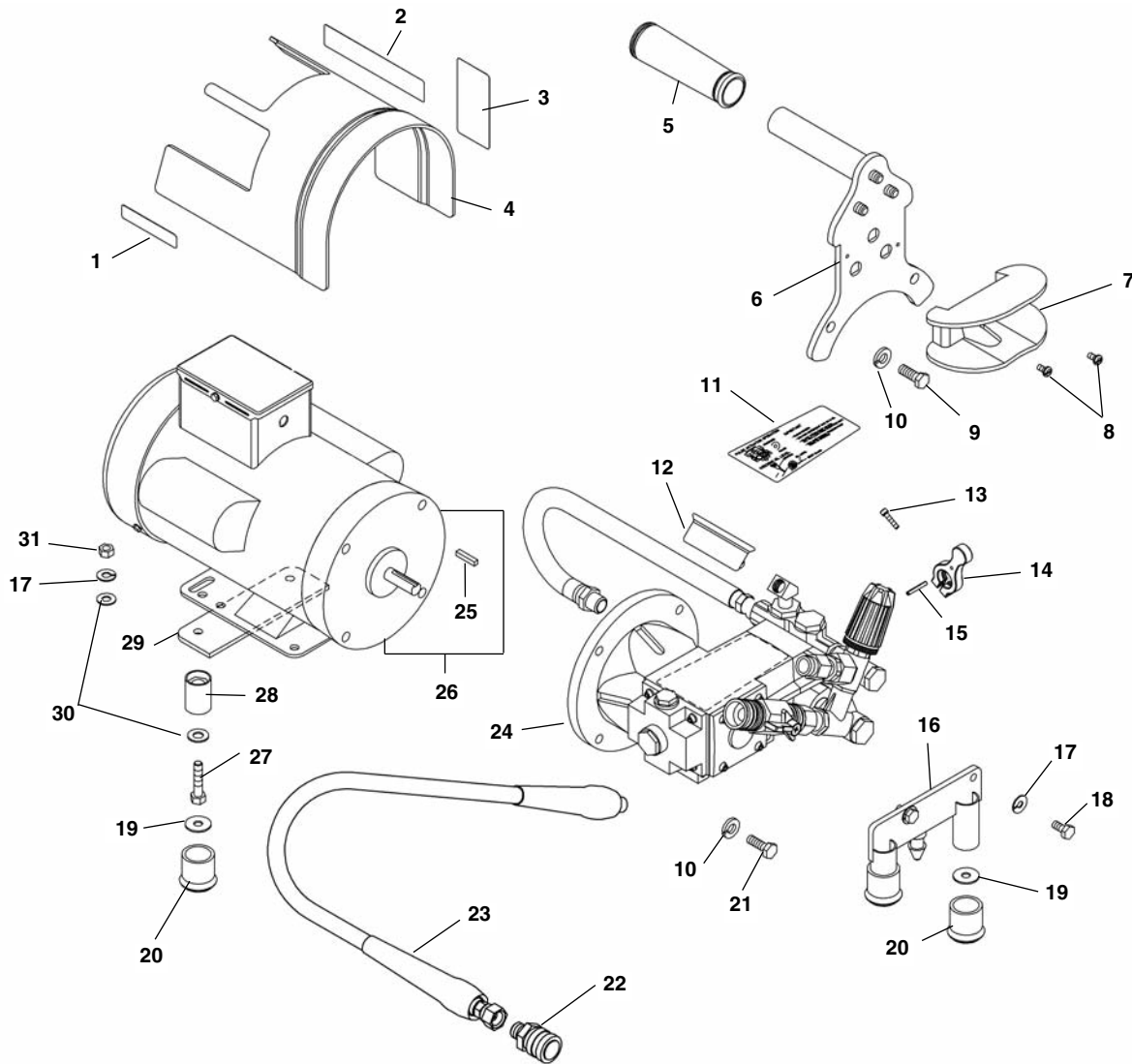
Main Components - 120V 60Hz



**NOTE: Order parts by Catalog Number only.
DO NOT order by Reference Number.**

Ref. No.	Catalog No.	Description	Ref. No.	Catalog No.	Description
1	63972	Decal, Potable Water	17	63907	Actuator Handle
2	65047	Decal, Model Number	18	41500	Spring Pin
3	48232	Decal, Warning	19	60380	Screw, 3/8 - 16 x 1 1/4 (2)
4	63917	Motor Shroud	20	60085	Lock Washer, 3/8 (4)
5	60827	Hand Grip	21	65212	Output Hose
6	63932	Handle	22	48117	Female Quick Connect, 1/4 NPT Male
7	63937	Cord Wrap	23	86122	Pump Assembly Complete
8	16417	Pan Head Screw, #10 - 32 x 3/8 (2)	24	48132	Dampener Hose, 18
9	60380	Hex Screw, 3/8 - 16 x 1 1/4 (2)	25	47677	Square Key, 1/8 x 3/16 x 1
10	60085	Lock Washer, 3/8 (4)	26	65042	Motor, 120V 60Hz 2 HP
11	63967	Decal, Pulse Instruction	27	60230	Hex Nut, 5/16 - 18 (6)
12	64272	Pulse Valve Cover	28	60080	Lock Washer, 3/8 (6)
13	48127	Pulse Control Valve	29	48187	Rubber Foot (4)
14	63912	Hex Nipple, 3/8 NPT	30	61130	Screw, 3/16 - 18 x 3/4 (2)
15	63957	Pressure Gauge	31	60060	Flat Washer, 5/16 (6)
16	46375	Socket Head Screw, #6 - 32 x 5/8	32	48182	Base Plate

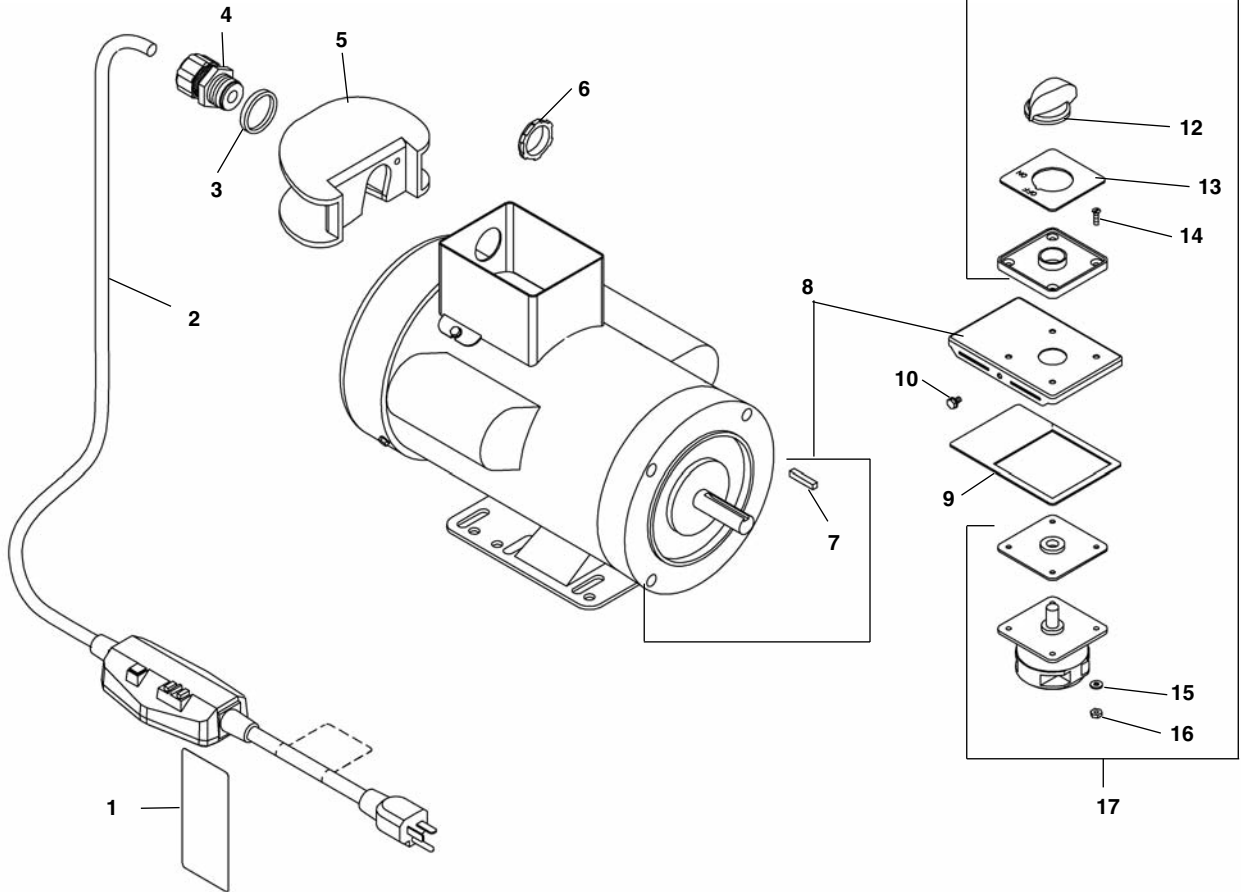
Main Components - 220V 50Hz Export



**NOTE: Order parts by Catalog Number only.
DO NOT order by Reference Number.**

Ref. No.	Catalog No.	Description	Ref. No.	Catalog No.	Description
1	63972	Decal, Potable Water	17	60080	Lock Washer, $\frac{5}{16}$ (2)
2	63962	Decal, Model Number	18	61130	Hex Screw, $\frac{5}{16}$ - 18 x $\frac{3}{4}$ (2)
3	48232	Decal, Warning	19	60847	Flat Washer, $\frac{1}{2}$ (4)
4	63917	Motor Shroud	20	37962	Rubber Foot (4)
5	60827	Hand Grip	21	85915	Hex Screw, $\frac{3}{8}$ - 16 x $\frac{3}{4}$ (2)
6	63932	Handle	22	48117	Female Quick Connect, $\frac{1}{4}$ NPT Male
7	63937	Cord Wrap	23	65212	Output Hose
8	16417	Screw, #10 - 32 x $\frac{3}{8}$ Pan Head (2)	24	86122	Pump Assembly Complete
9	60380	Hex Screw, $\frac{3}{8}$ - 16 x $1\frac{1}{4}$ (2)	25	47677	Key, $\frac{1}{8}$ x $\frac{3}{16}$ x 1
10	60085	Lock Washer, $\frac{3}{8}$ (4)	26	94452	Motor, 220V 50Hz 2HP
11	63967	Decal, Pulse Instruction	27	43847	Hex Screw, $\frac{5}{16}$ - 18 x $1\frac{1}{2}$ (2)
12	63957	Pressure Gauge	28	63947	Rear Foot
13	46375	Socket Head Screw, #6 - 32 x $\frac{5}{8}$	29	63952	Rear Bracket
14	63907	Actuator Handle	30	60060	Flat Washer, $\frac{5}{16}$ (2)
15	41500	Spring Pin	31	60230	Hex Nut, $\frac{5}{16}$ - 18 (2)
16	63942	Front Foot			

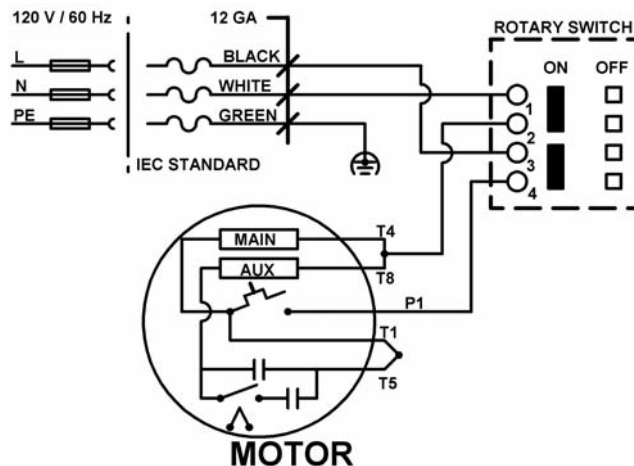
Electrical 120V 60 Hz



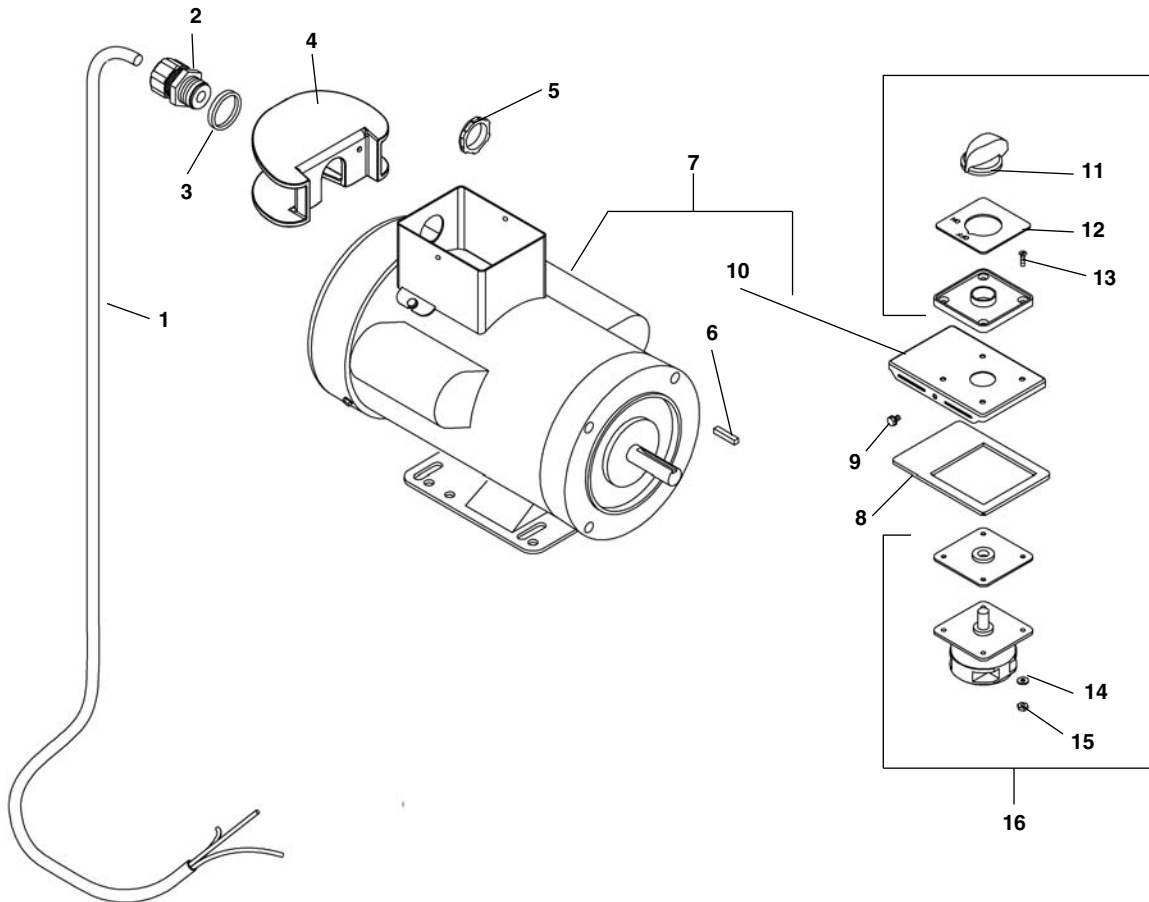
NOTE: Order parts by Catalog Number only.
DO NOT order by Reference Number.

Ref. No.	Catalog No.	Description	Ref. No.	Catalog No.	Description
1	63977	Warning Tag, GFCI	10	65072	Screw
2	65037	Power Cord with GFCI	11	65077	Conduit Box Cover
3	64037	Flat Washer	12	65052	Switch Knob w/Screw
4	36732	Strain Relief	13	65062	Face Plate
5	63937	Cord Wrap	14	54162	Flat Hd. Machine Screw #6 - 32 x 1/2"
6	48052	Strain Relief Nut	15	65097	Flat Washer #6
7	47677	Square Key, 1/8" x 3/16" x 1"	16	61327	Hex Nut #6 - 32
8	65042	Motor, 120V 60Hz 2 HP	17	20148	Rotary Switch Assembly
9	65082	Conduit Box Gasket			

Wiring Diagram



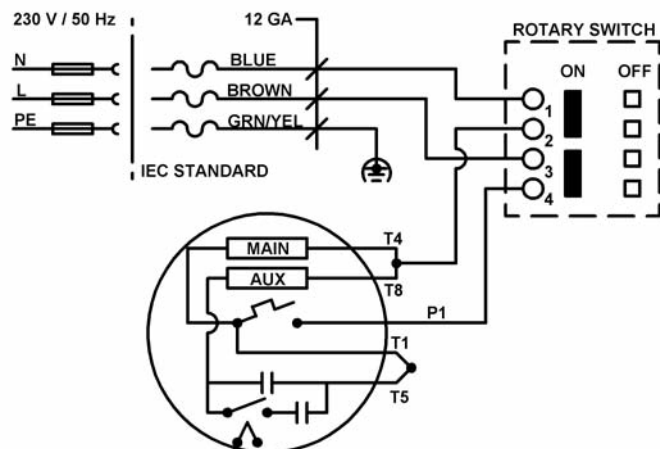
Electrical 220V 50 Hz Export



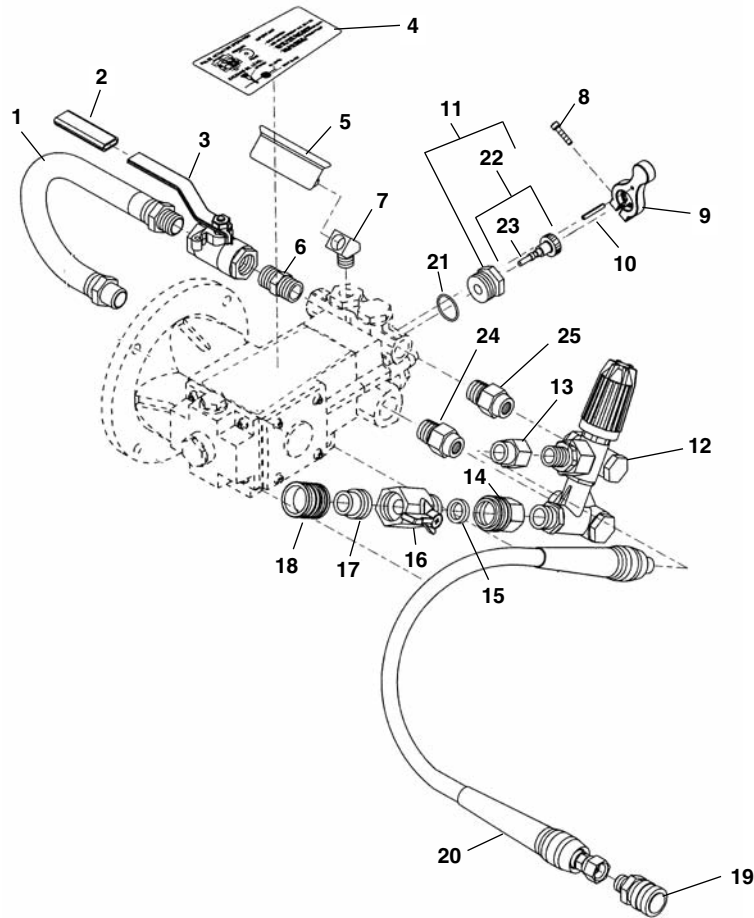
**NOTE: Order parts by Catalog Number only.
DO NOT order by Reference Number.**

Ref. No.	Catalog No.	Description	Ref. No.	Catalog No.	Description
1	15707	Power Cord	10	65077	Conduit Box Cover
2	64037	Flat Washer	11	65052	Switch Knob w/Screw
3	36732	Strain Relief	12	65062	Face Plate
4	63937	Cord Wrap	13	54162	Flat Hd. Machine Screw #6 - 32 x 1/2"
5	48052	Strain Relief Nut	14	65097	Flat Washer #6
6	47677	Square Key, 1/8" x 3/16" x 1"	15	61327	Hex Nut #6 - 32
7	94452	Motor, 220V 50Hz 2 HP	16	65092	Rotary Switch Assembly
8	65082	Conduit Box Gasket			
9	65072	Screw			

Wiring Diagram

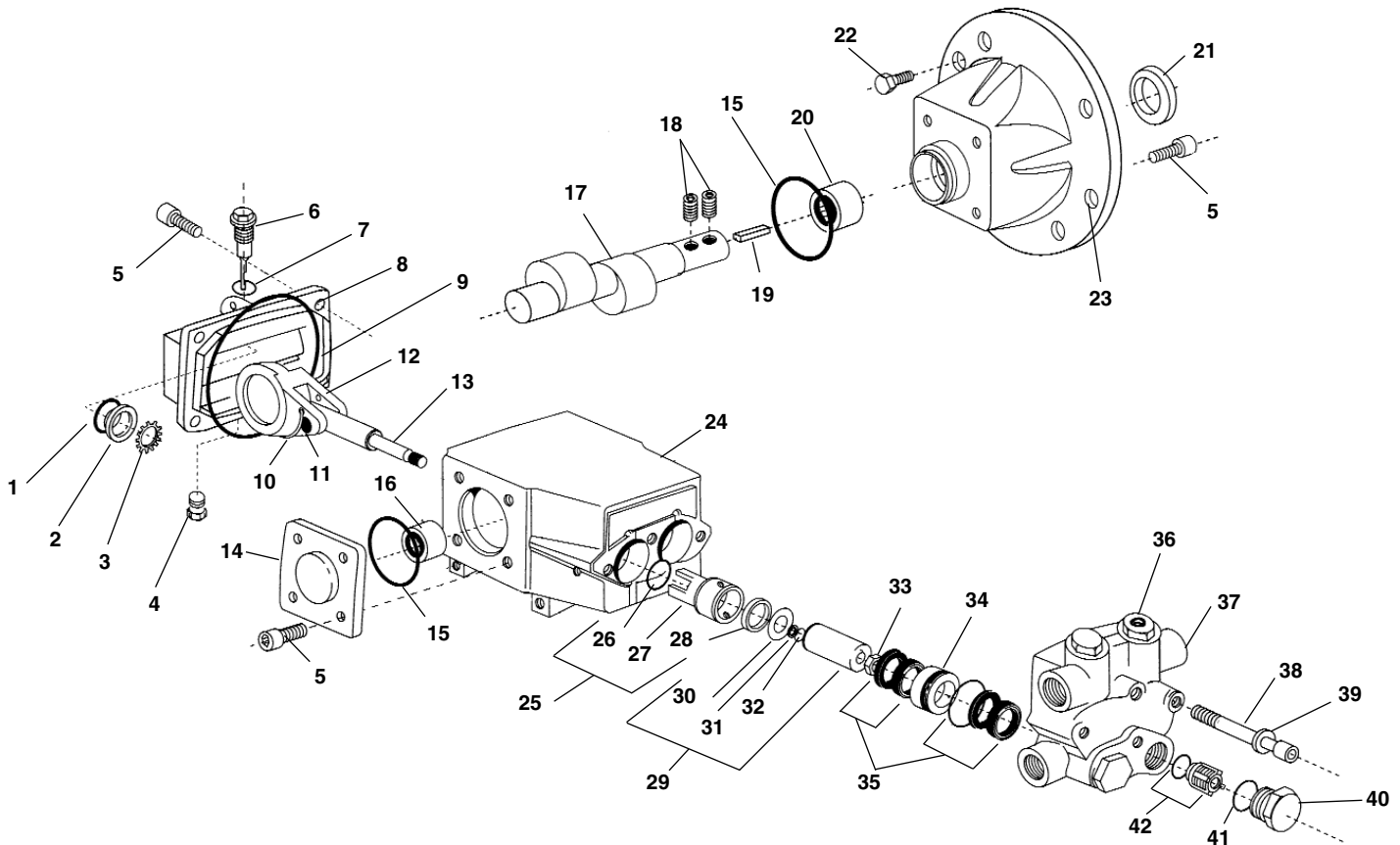


Flow Control System



Ref. No.	Catalog No.	Description
1	48132	Dampener Hose, 18
2	64272	Pulse Valve Cover
3	48127	Pulse Control Valve
4	63967	Decal, Pulse Instruction
5	63902	Pressure Gauge
6	63912	Hex Nipple, 3/8 NPT
7	48107	Street El, 45 Degree
8	46375	Soc Hd Screw, #6 - 32 x 5/8
9	63907	Actuator Handle
10	41500	Spring Pin
11	65192	Pulse Assembly
12	65202	Unloader Valve Assembly
13	65197	Reducer Coupling
14	65207	Hose Adapter
15	48287	Filter Washer
16	49582	Water Shut Off
17	48202	Hose Coupler Nipple
18	48197	Hose Coupler
19	48117	Female Quick Connect, 1/4 NPT Male
20	63927	Output Hose
21	65392	O-Ring
22	85872	Adjusting Screw w/Seals
23	85882	Seals for Adjusting Screw
24	70427	Inlet Adapter, 1/2 x 1/2
25	70432	Outlet Adapter, 3/8 x 3/8
	65102	Wash Wand Nozzle (Not Shown)
	70897	Chemical Injector (Not Shown)

Pump Assembly - Type 2



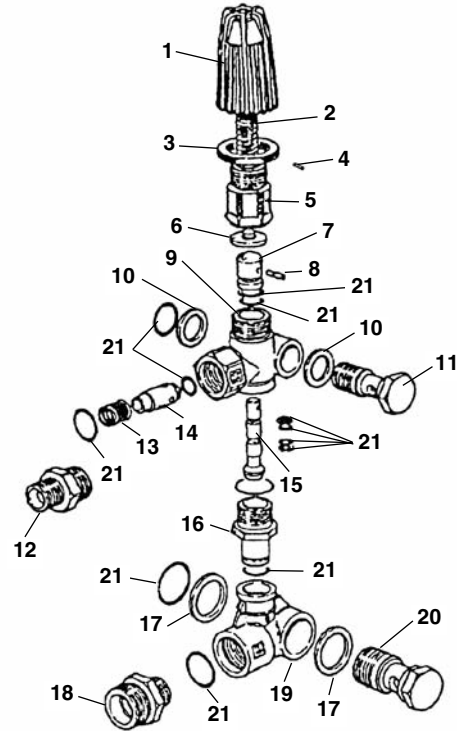
**NOTE: Order parts by Catalog Number Only.
DO NOT order by Reference Number.**

Ref. No.	Catalog No.	Description	Ref. No.	Catalog No.	Description	Ref. No.	Catalog No.	Description
1	88852	O-Ring	15	47707	O-Ring (2)	29	88997	Plunger Kit, (2)
2	88847	Sight Glass	16	88822	Needle Bearing	30	47762	Slinger Ring (2)
3	88857	Retainer	17	88877	Crankshaft	31	47712	Backup Seal (2)
4	47782	Drain Plug, 1/4 NPT	18	47752	Set Screw, 1/4 - 28 x 1/4 (2)	32	47697	O-Ring (2)
5	40910	Soc. Hd. Cap Screw, 1/4 - 20 x 3/4 (12)	19	47677	Key, 1/8 x 3/16 x 1	33	88867	Retaining Nut (2)
6	47787	Dip Stick	20	47727	Needle Bearing	34	89007	Cup Retainer, (2)
7	88452	O-Ring	21	47732	Seal	35	89002	Plunger Seal Kit
8	88842	Crankcase Cover	22	75350	Hex Bolt, 3/8 -16 x 1 1/4 (4)	36	89017	Valve Cap, Ported, 1/4 NPT
9	88447	O-Ring	23	47667	C-Flange End Cover	37	88792	Head
10	88837	Spring Retainer (2)	24	88812	Crankcase	38	47747	Socket Head Cap Screw (4)
11	88827	Wrist Pin (2)	25	88437	Oil Seal Repair Kit	39	88872	Lock Washer (4)
12	88832	Connecting Rod (2)	26	88442	O-Ring (2)	40	88412	Valve Cap (2)
13	88807	Plunger Rod (2)	27	88797	Insert (2)	41	88417	O-Ring (4)
14	88817	End Plate	28	88802	Oil Seal (2)	42	88422	Valve Kit

Unloader Valve - Early Style (Red Knob)

**NOTE: Order parts by Catalog Number Only.
DO NOT order by Reference Number.**

Ref. No.	Catalog No.	Description
1	64277	Control Knob
2	64282	Spring
3	64287	Stop Ring
4	64292	Set Screw
5	64297	Spring Guide
6	64302	Spring Button
7	64307	Poppet
8	64312	Pin
9	64317	Valve Body
10	64322	Gasket (2)
11	64327	Outlet Port Adapter
12	64332	Poppet Retainer
13	64337	Spring
14	64342	Poppet
15	64347	Plunger
16	64352	By-Pass Spring
17	64357	Gasket
18	64362	Inlet Adapter
19	64367	By-Pass Adapter
20	64372	Port Adapter
21	64377	Seal Kit



Unloader Valve - (Black Knob)

Ref. No.	Catalog No.	Description
—	65202	Unloader Valve Complete
1	85902	Plate
2	64302	Spring Button
3	64317	Body
4	85897	Spring
5	64307	Poppet
6	64312	Pin
7	64332	Outlet Poppet Retainer
8	64337	Spring
9	64342	Poppet
10	64352	By-Pass Seat
11	64347	Plunger
12	64362	Inlet Adapter
13	64367	Manifold
14	64372	Inlet Port Adapter
15	64327	Outlet Port Adapter
16	85892	Plug Cap
17	32270	Soc. Hd. Cap Screw 5/16 - 18 - 3/4
18	61115	Hex Nut 5/16 x 18
19	85887	Control Knob (Black)
20	85907	Cap
21	85917	Spring Guide
22	85912	Pin
23	64322	Seal Washer
24	64357	Seal Washer
25	85922	Seal Washer
26	85927	Seal Washer
27	64377	Seal Kit

