

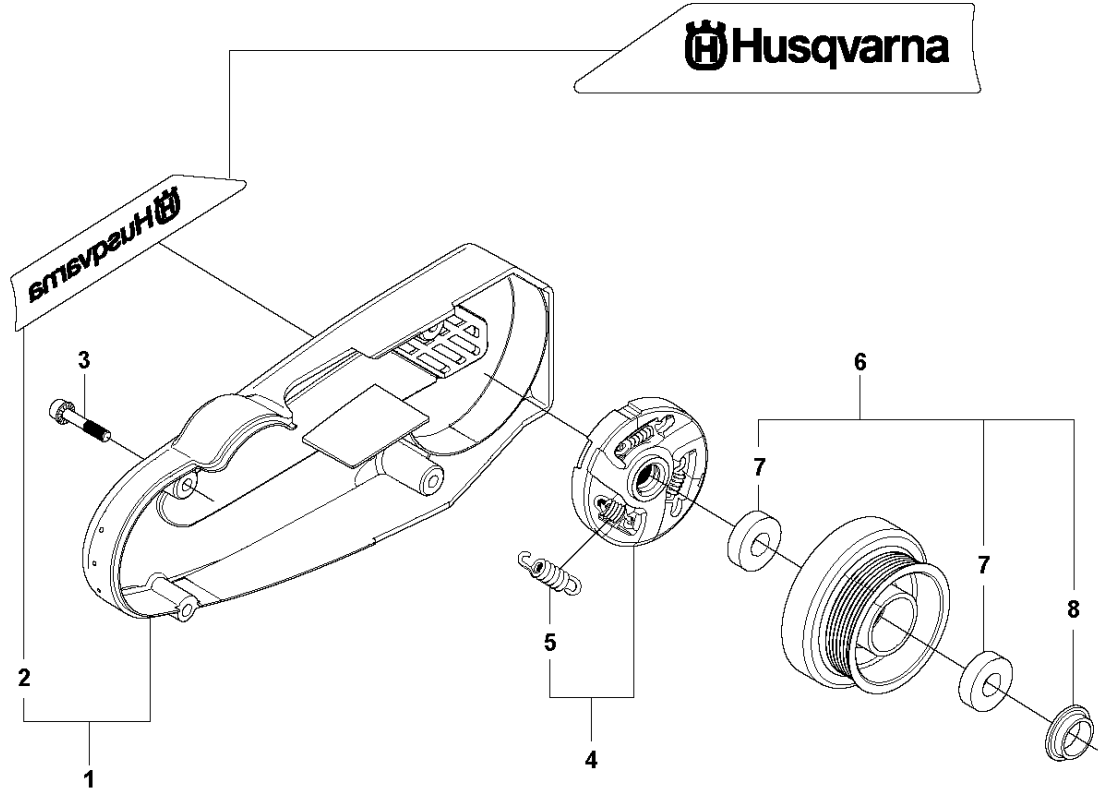


SPARE PARTS LIST

POWER CUTTERS

K970 RING, 2011-12

A K970 Ring

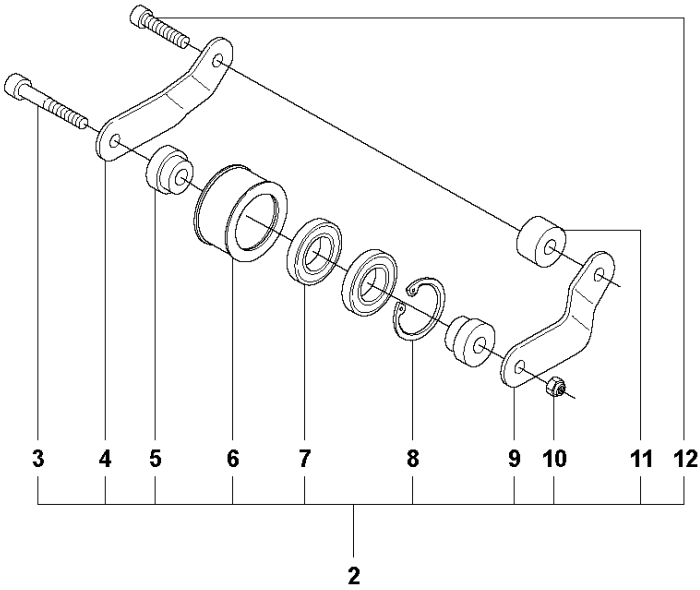
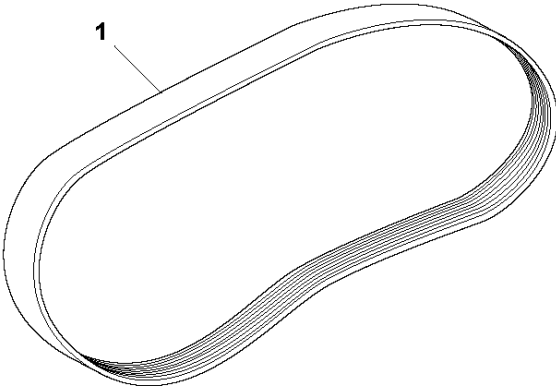


BELT GUARD & PULLEY

K970 RING, 2011-12

| Ref | Part No | Description | Remark | QTY KIT |
|-----|--------------|---------------------|------------|---------|
| 1 | 506 28 09-05 | BELT GUARD | Incl. 2 | 1 |
| 2 | 544 93 31-01 | LABEL | | 1 |
| 3 | 503 21 53-21 | SCREW ITXSCM | | 4 |
| 4 | 503 70 15-01 | CLUTCH ASSY | Incl. 5 | 1 |
| 5 | 503 14 51-01 | CLUTCH SPRING | | 3 |
| 6 | 525 62 10-01 | DRIVING PULLEY ASSY | Incl 7 - 8 | 1 |
| 7 | 525 83 18-01 | BALL BEARING | | 2 |
| 8 | 506 31 69-01 | DUST COVER | | 1 |

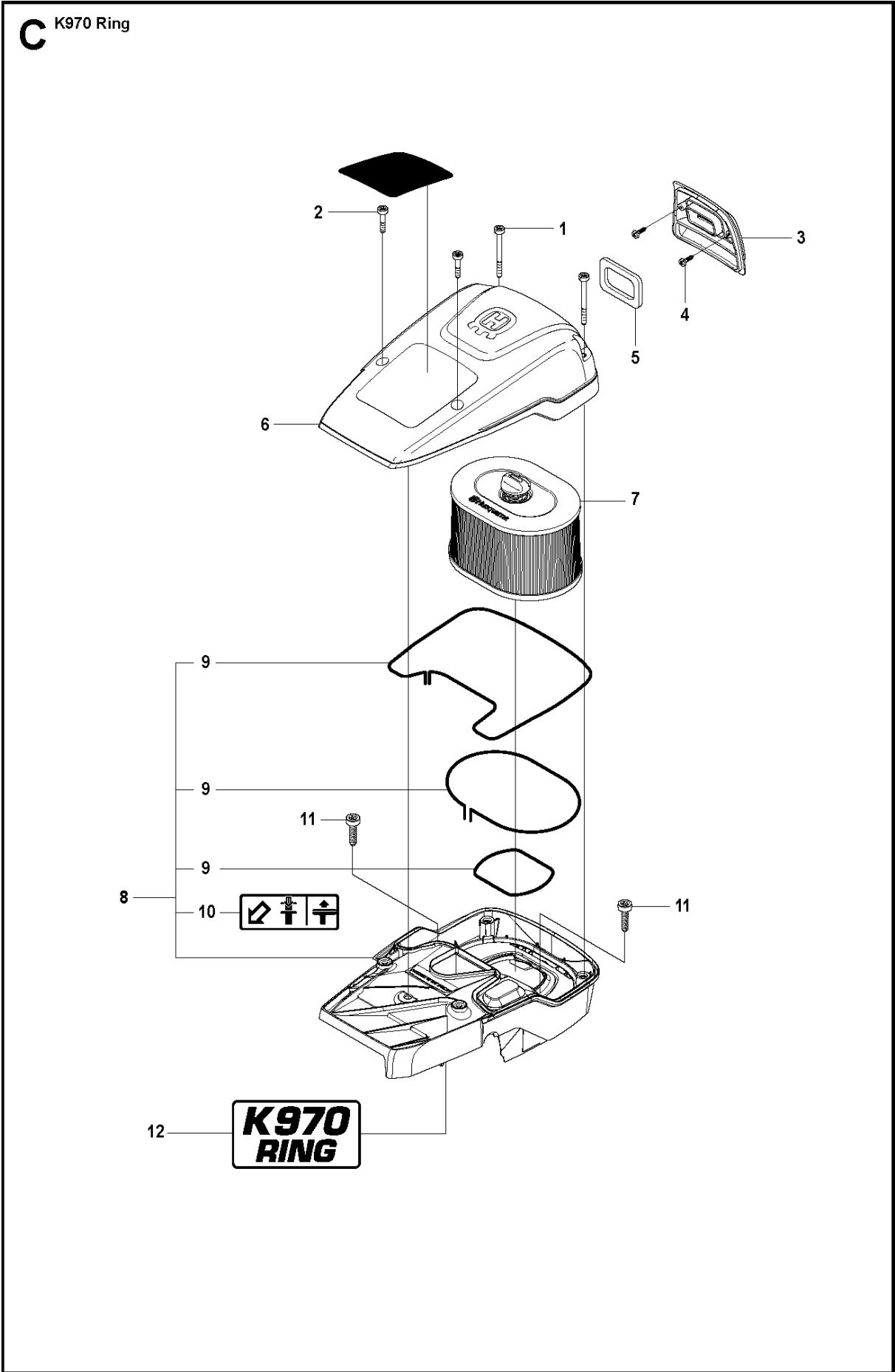
B K970 Ring



BELT

K970 RING, 2011-12

| Ref | Part No | Description | Remark | QTY KIT |
|-----|--------------|---------------------|--------------|---------|
| 1 | 544 90 84-01 | BELT | | 1 |
| 2 | 506 28 06-05 | BELT TENSIONER ASSY | Incl. 3 - 12 | 1 |
| 3 | 544 21 84-37 | SCREW ITXSCM | | 1 |
| 4 | 506 33 53-02 | LEVER | | 1 |
| 5 | 506 33 52-01 | SPACER | | 2 |
| 6 | 506 33 51-01 | ROLLER | | 1 |
| 7 | 525 83 18-01 | BALL BEARING | | 2 |
| 8 | 735 31 28-10 | CIRCLIP | | 1 |
| 9 | 506 33 53-01 | LEVER | | 1 |
| 10 | 732 21 16-01 | LOCK NUT | | 1 |
| 11 | 506 33 54-01 | SPACER | | 1 |
| 12 | 544 21 84-01 | SCREW ITXSCM | | 1 |

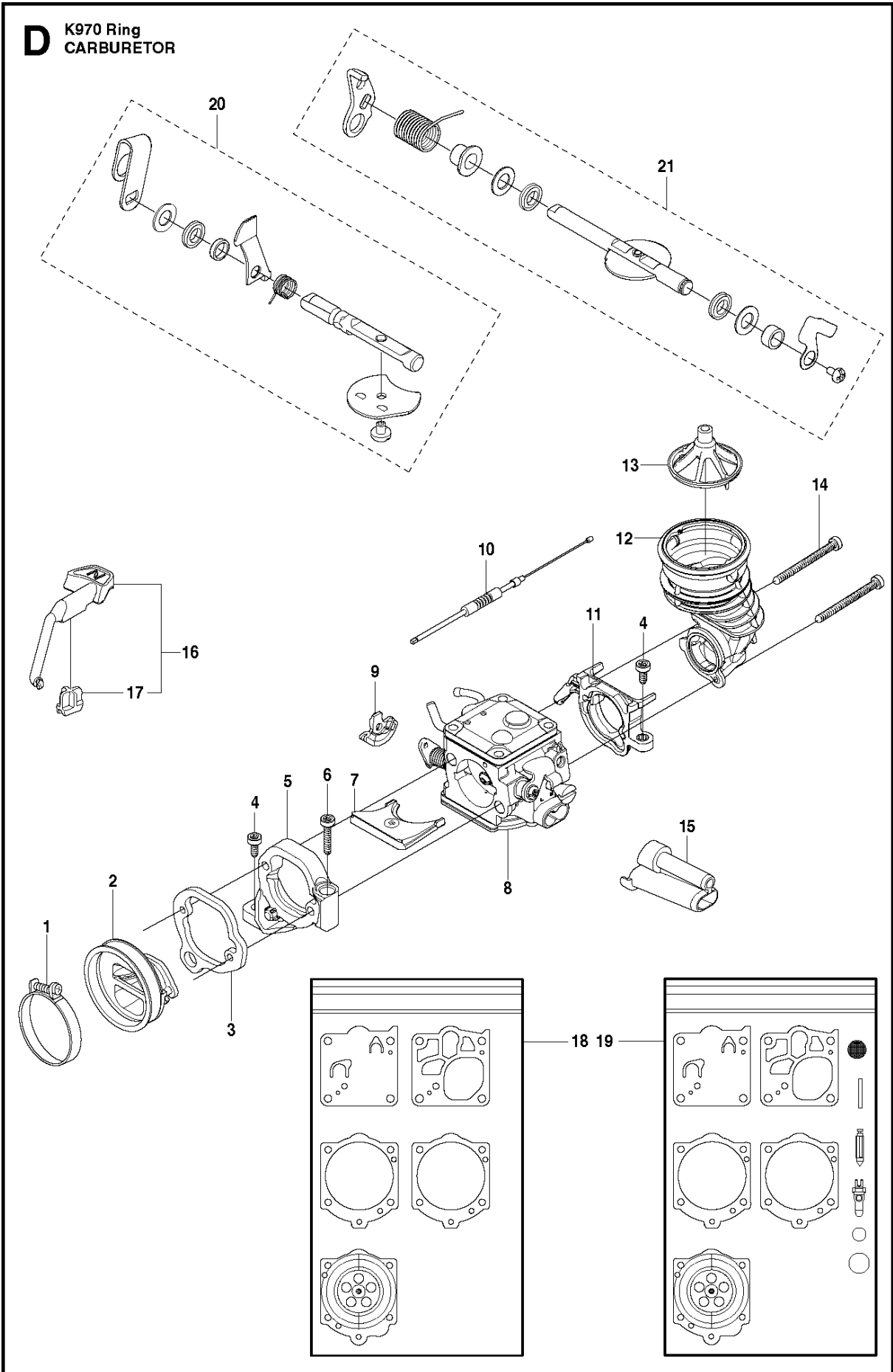


AIR FILTER COVER

K970 RING, 2011-12

| Ref | Part No | Description | Remark | QTY KIT |
|-----|--------------|----------------|---------------------|---------|
| 1 | 503 21 53-56 | SCREW ITXSCM | | 2 |
| 2 | 503 21 53-26 | SCREW ITXSCM | | 2 |
| 3 | 576 43 14-01 | COVER | | 1 |
| 4 | 729 52 89-71 | SCREW CRPANT | | 2 |
| 5 | 578 06 53-01 | SEALING | | 1 |
| 6 | 576 73 80-01 | FILTER COVER | | 1 |
| 7 | 510 24 41-04 | AIR FILTER | | 1 |
| 8 | 576 42 69-03 | CYLINDER COVER | Incl. 9 - 10 | 1 |
| 9 | 525 61 70-04 | SEALING | L=1,2 M. Cut to fit | 2 |
| 10 | 525 76 35-01 | DECAL | | 1 |
| 11 | 503 21 53-30 | SCREW ITXSCM | | 2 |
| 12 | 525 57 16-03 | DECAL | | 1 |

D K970 Ring
CARBURETOR

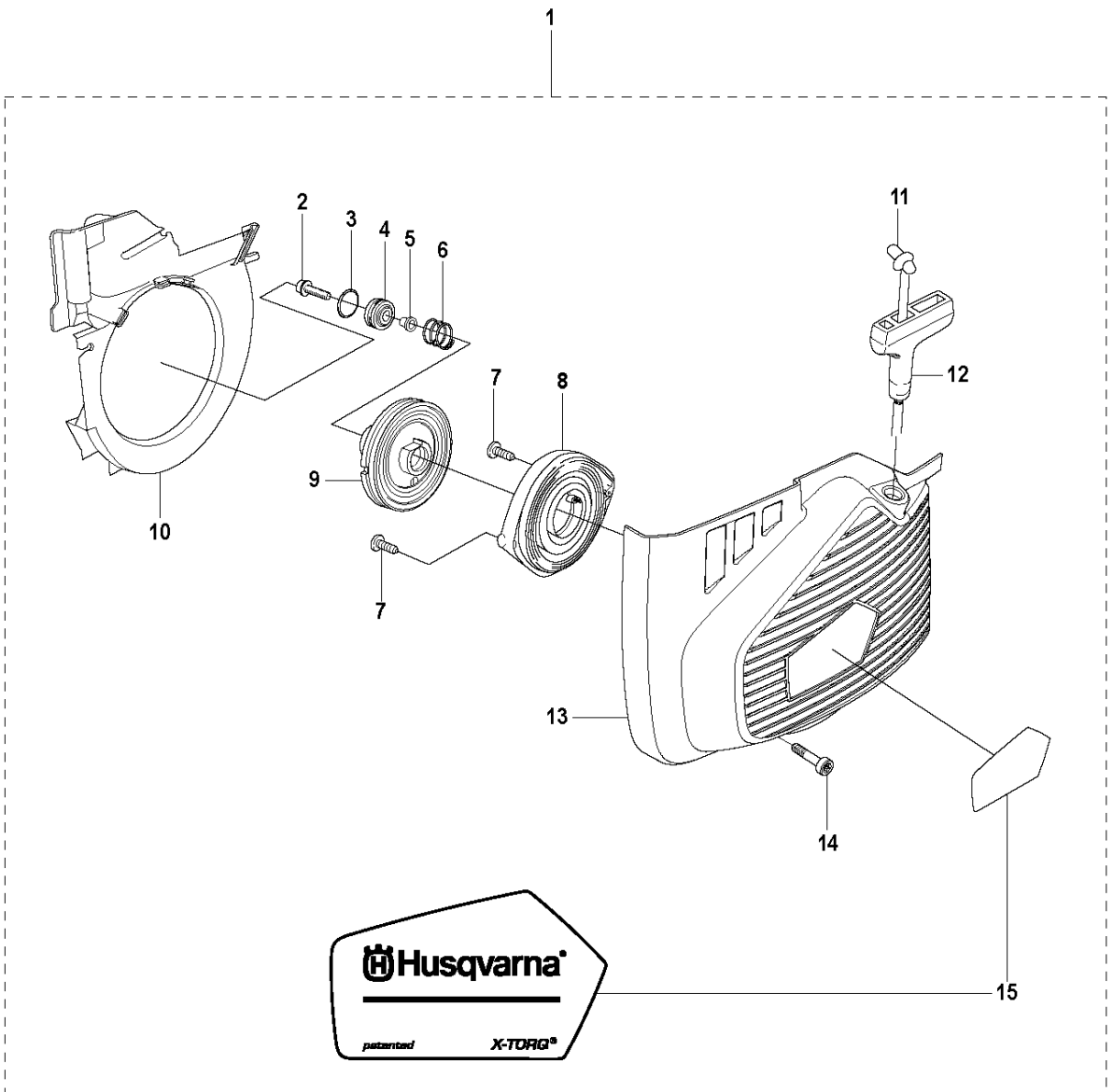


CARBURETOR

K970 RING, 2011-12

| Ref | Part No | Description | Remark | QTY KIT |
|-----|--------------|---------------------|--------------|---------|
| 1 | 505 28 33-06 | HOSE CLAMP | | 1 |
| 2 | 506 41 41-01 | INLET PIPE | | 1 |
| 3 | 544 15 01-01 | FLANGE | | 1 |
| 4 | 503 21 53-16 | SCREW ITXSCM | | 2 |
| 5 | 544 11 39-01 | CONSOLE | | 1 |
| 6 | 503 21 53-30 | SCREW ITXSCM | | 1 |
| 7 | 506 41 42-01 | PLATE | | 1 |
| 8 | 522 94 20-01 | CARBURETTOR | Walbro RWJ-5 | 1 |
| 9 | 505 14 84-01 | LEVER | | 1 |
| 10 | 576 49 04-01 | THROTTLE CABLE ASSY | | 1 |
| 11 | 522 85 62-01 | FLANGE INLET PIPE | | 1 |
| 12 | 521 92 67-01 | INLET PIPE | | 1 |
| 13 | 510 24 39-01 | FILTER | | 1 |
| 14 | 501 97 18-01 | SCREW ITXSCM | | 2 |
| 15 | 544 23 26-01 | CHISEL GUIDE | | 1 |
| 16 | 506 23 20-11 | CHOKE | Incl. 17 | 1 |
| 17 | 506 27 25-01 | WEAR PROTECTION | | 1 |
| 18 | 502 44 58-01 | GASKET KIT | Walbro RWJ-5 | 1 |
| 19 | 502 44 59-01 | REPAIR KIT | Walbro RWJ-5 | 1 |
| 20 | 593 77 77-01 | CHOKE SHAFT | | 1 |
| 21 | 593 77 69-01 | THROTTLE SHAFT | | 1 |

E K970 Ring

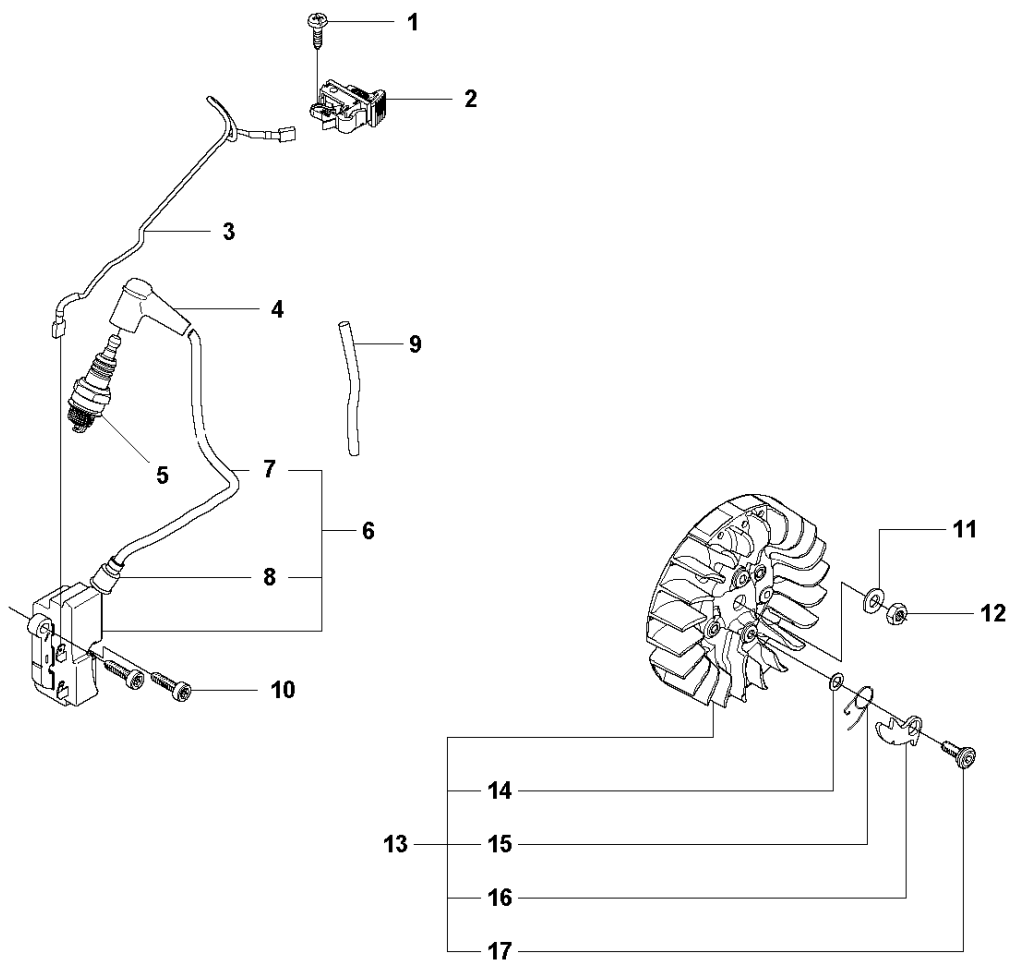


STARTER

K970 RING, 2011-12

| Ref | Part No | Description | Remark | QTY KIT |
|-----|--------------|--------------------|--------------|---------|
| 1 | 574 50 73-03 | STARTER ASSY | Incl. 2 - 15 | 1 |
| 2 | 503 21 07-22 | SCREW IH SCT | | 1 |
| 3 | 740 43 13-00 | O-RING | | 1 |
| 4 | 506 25 14-01 | GROMMET | | 1 |
| 5 | 506 26 31-01 | SPACING SLEEVE | | 1 |
| 6 | 506 25 30-01 | COMPRESSION SPRING | | 1 |
| 7 | 503 21 28-10 | SCREW CCRPANT | | 2 |
| 8 | 506 25 89-01 | RECOIL SPRING | | 1 |
| 9 | 506 25 81-02 | STARTER PULLEY | | 1 |
| 10 | 544 28 75-02 | AIR CONDUCTOR | | 1 |
| 11 | 506 33 56-15 | CORD | | 1 |
| 11 | 506 33 56-50 | STARTER CORD | 50 m Coil | 1 |
| 12 | 503 12 79-01 | STARTER HANDLE | | 1 |
| 13 | 505 34 94-01 | STARTER COVER | | 1 |
| 14 | 501 98 10-20 | SCREW ITXSCM | | 4 |
| 15 | 525 57 11-01 | DECAL | | 1 |

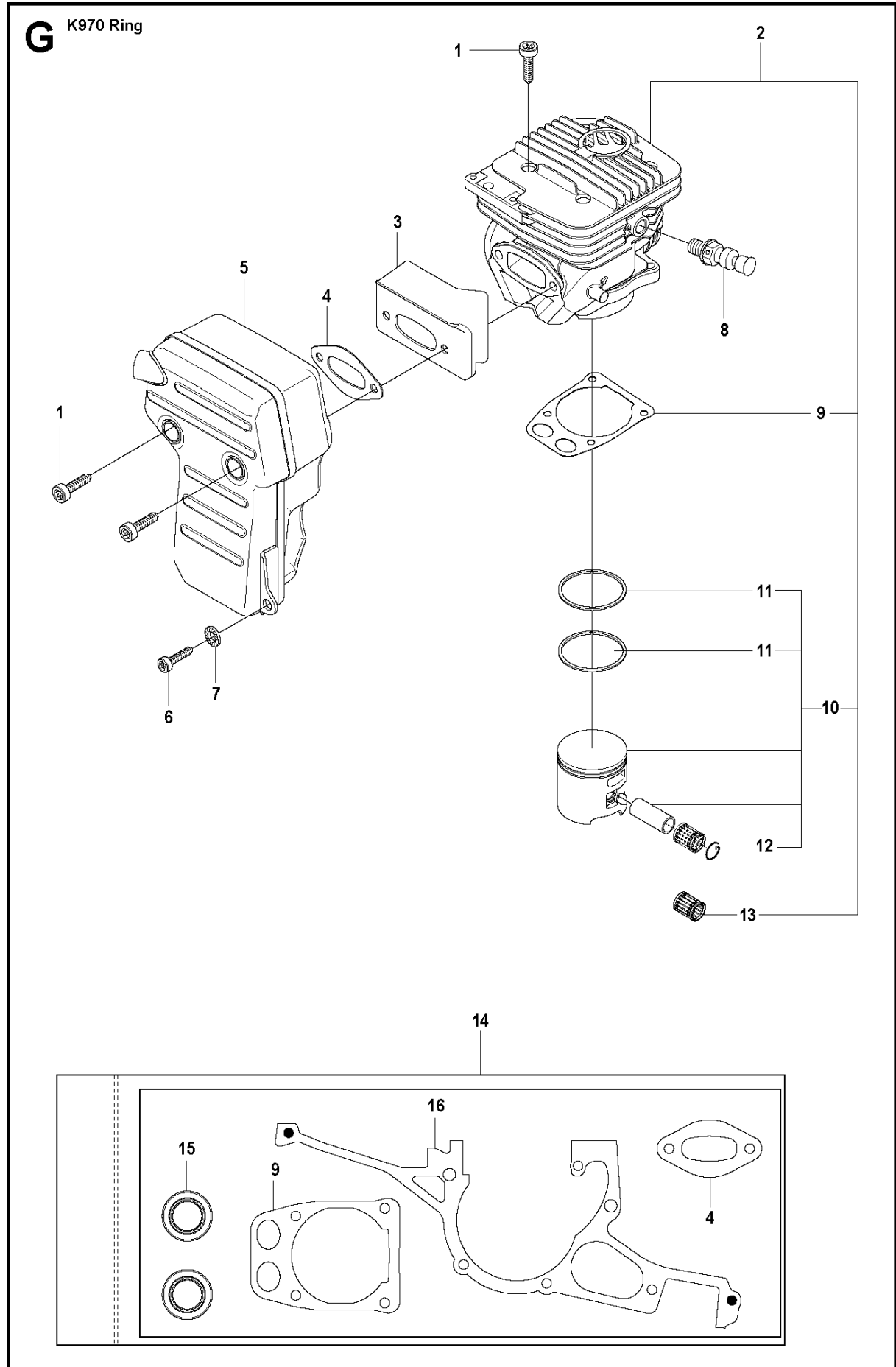
F K970 Ring



IGNITION SYSTEM

K970 RING, 2011-12

| Ref | Part No | Description | Remark | QTY KIT |
|-----|--------------|-----------------|---------------|---------|
| 1 | 503 21 28-06 | SCREW CCRPANT | | 1 |
| 2 | 506 31 86-02 | STOP SWITCH | | 1 |
| 3 | 501 83 98-01 | CABLE | | 1 |
| 4 | 501 48 54-02 | SPARK PLUG CAP | | 1 |
| 5 | 503 23 51-09 | SPARK PLUG | RCJ 6Y | 1 |
| 6 | 510 11 56-01 | IGNITION MODULE | Incl. 7 - 8 | 1 |
| 7 | 506 38 78-34 | IGNITION CABLE | | 1 |
| 8 | 505 27 75-16 | ISOLERHATT | | 1 |
| 9 | 576 85 16-02 | PROTECTIVE HOSE | | 1 |
| 10 | 503 21 53-20 | SCREW ITXSCM | | 2 |
| 11 | 503 23 01-01 | WASHER | | 1 |
| 12 | 503 22 10-11 | HEXAGON NUT | | 1 |
| 13 | 501 37 56-04 | FLYWHEEL | Incl. 14 - 17 | 1 |
| 14 | 503 23 00-42 | WASHER | | 2 |
| 15 | 501 63 48-01 | SPRING | | 2 |
| 16 | 501 67 32-03 | PAWL | | 2 |
| 17 | 506 00 69-01 | SCREW | | 2 |

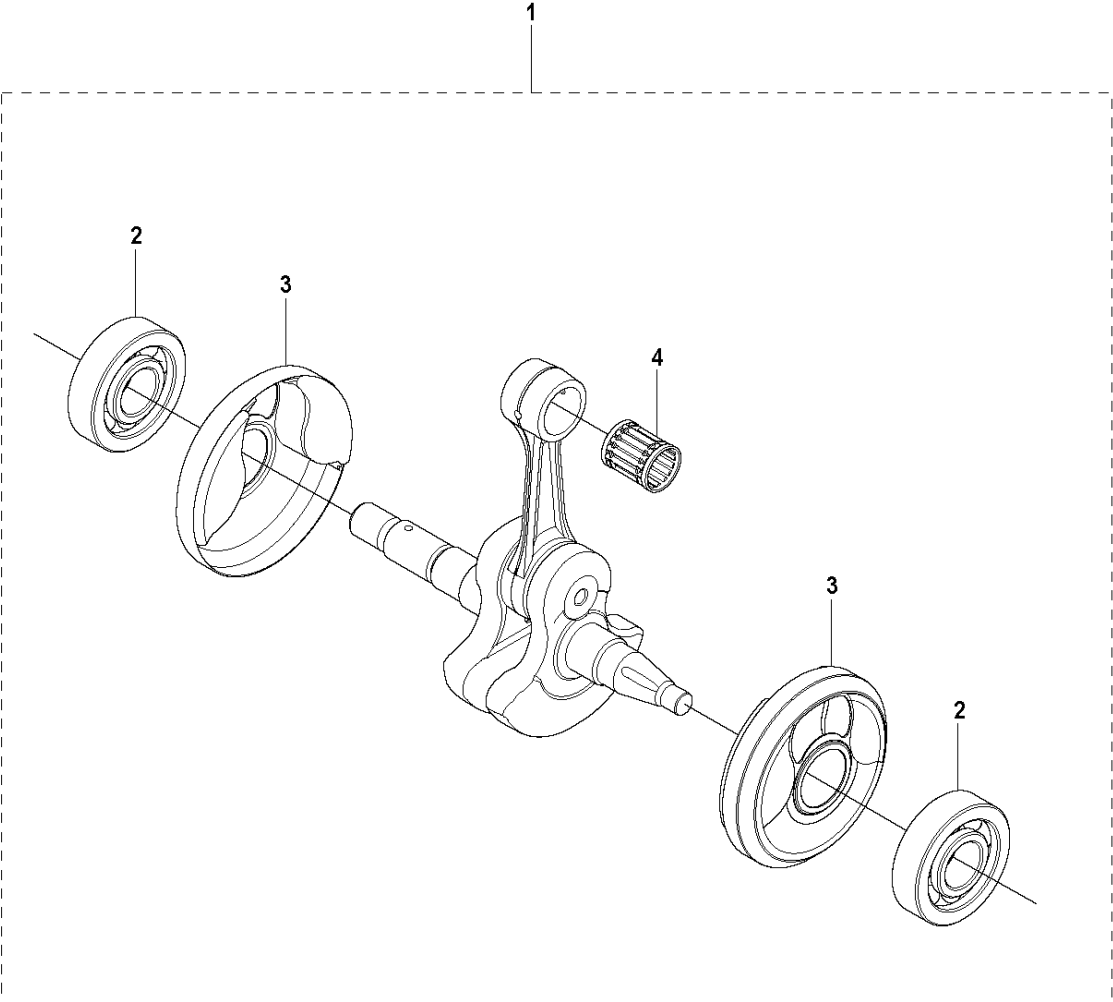


CYLINDER, PISTON & MUFFLER

K970 RING, 2011-12

| Ref | Part No | Description | Remark | QTY KIT |
|-----|--------------|---------------------|---------------------|---------|
| 1 | 544 21 84-01 | SCREW ITXSCM | | 6 |
| 2 | 544 93 56-05 | CYLINDER ASSY | Incl. 9 - 10, 13 | 1 |
| 3 | 577 99 76-02 | HEAT DEFLECTOR | | 1 |
| 4 | 506 37 81-01 | GASKET | | 1 |
| 5 | 506 37 28-01 | MUFFLER ASSY | | 1 |
| 6 | 503 21 53-25 | SCREW ITXSCM | | 1 |
| 7 | 503 23 04-02 | WASHER | | 1 |
| 8 | 503 66 56-01 | DECOMPRESSION VALVE | | 1 |
| 9 | 576 49 94-01 | GASKET | | 1 |
| 10 | 506 41 32-02 | PISTON | Incl. 11 - 12 | 1 |
| 11 | 503 28 90-35 | PISTON RING | | 2 |
| 12 | 737 44 13-00 | CIRCLIP | | 2 |
| 13 | 503 25 61-01 | NEEDLE BEARING | | 1 |
| 14 | 544 22 98-03 | GASKET KIT | Incl. 4, 9, 15 - 16 | 1 |
| 15 | 503 26 02-04 | SEALING RING | | 2 |
| 16 | 506 41 39-04 | GASKET | | 1 |

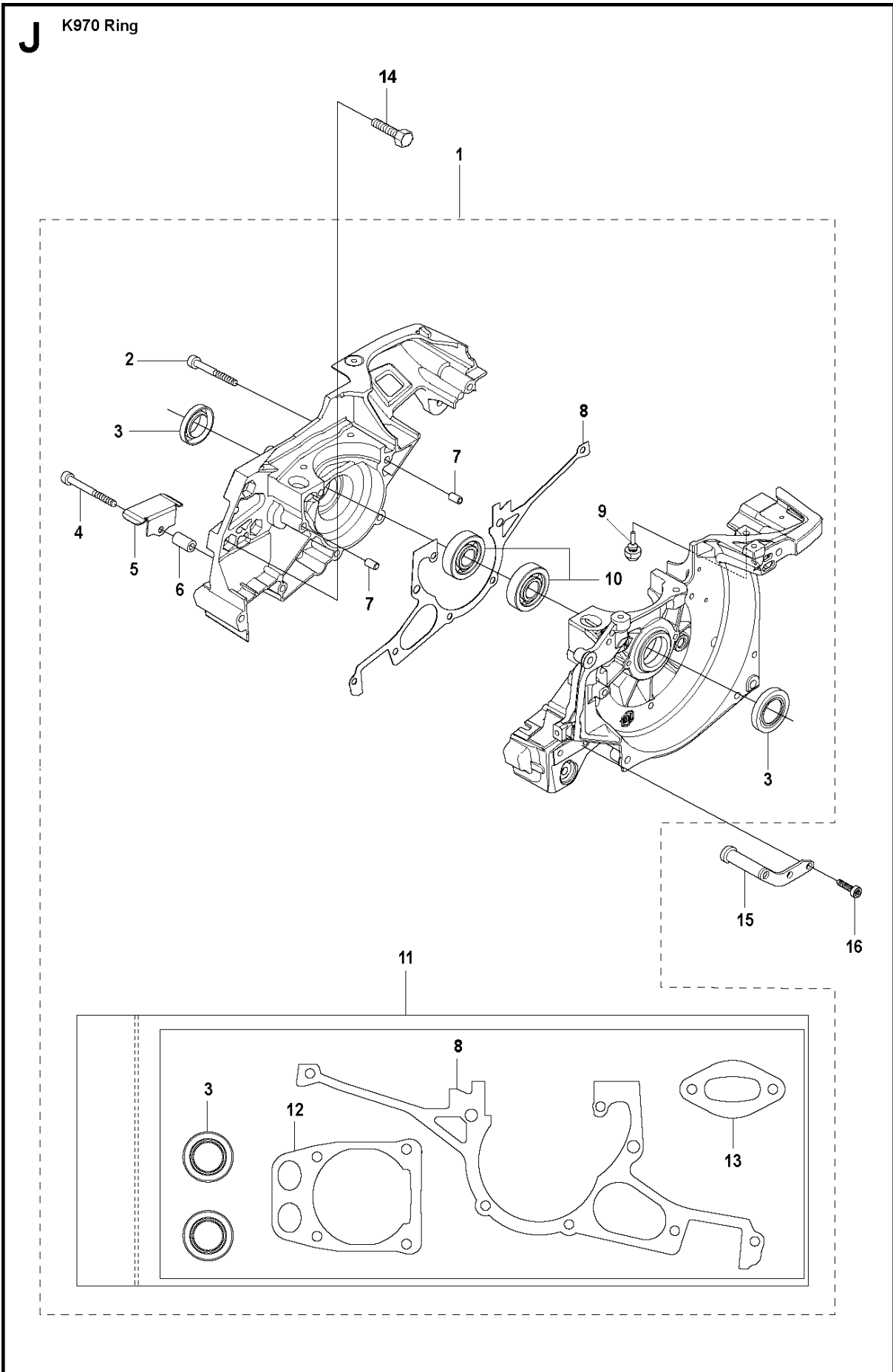
H K970 Ring



CRANKSHAFT

K970 RING, 2011-12

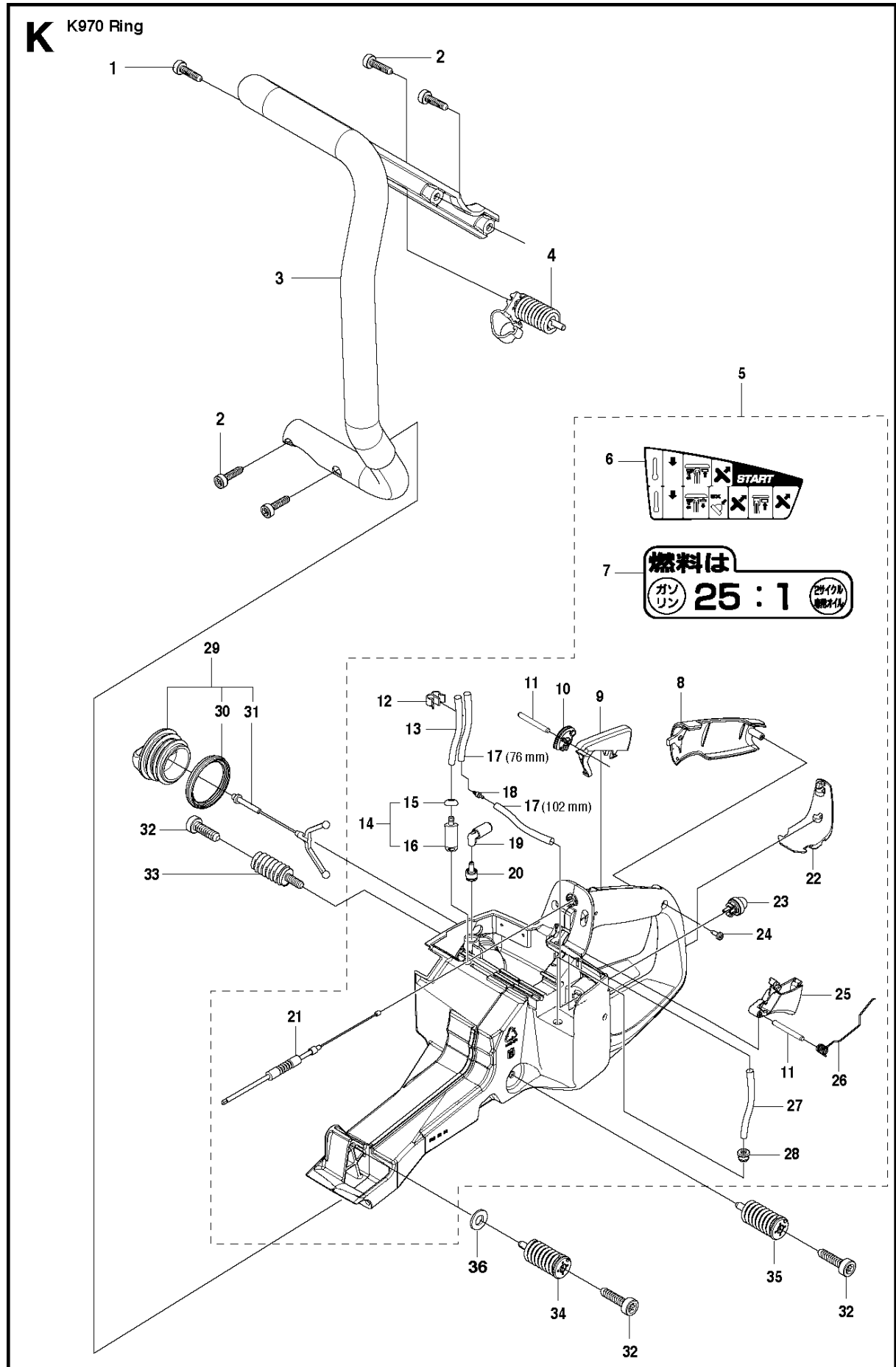
| Ref | Part No | Description | Remark | QTY KIT |
|-----|--------------|-----------------|-------------|---------|
| 1 | 574 26 76-01 | CRANKSHAFT ASSY | Incl. 2 - 4 | 1 |
| 2 | 503 25 00-02 | BALL BEARING | | 2 |
| 3 | 506 41 44-01 | CUP | | 2 |
| 4 | 503 25 61-01 | NEEDLE BEARING | | 1 |



CRANKCASE

K970 RING, 2011-12

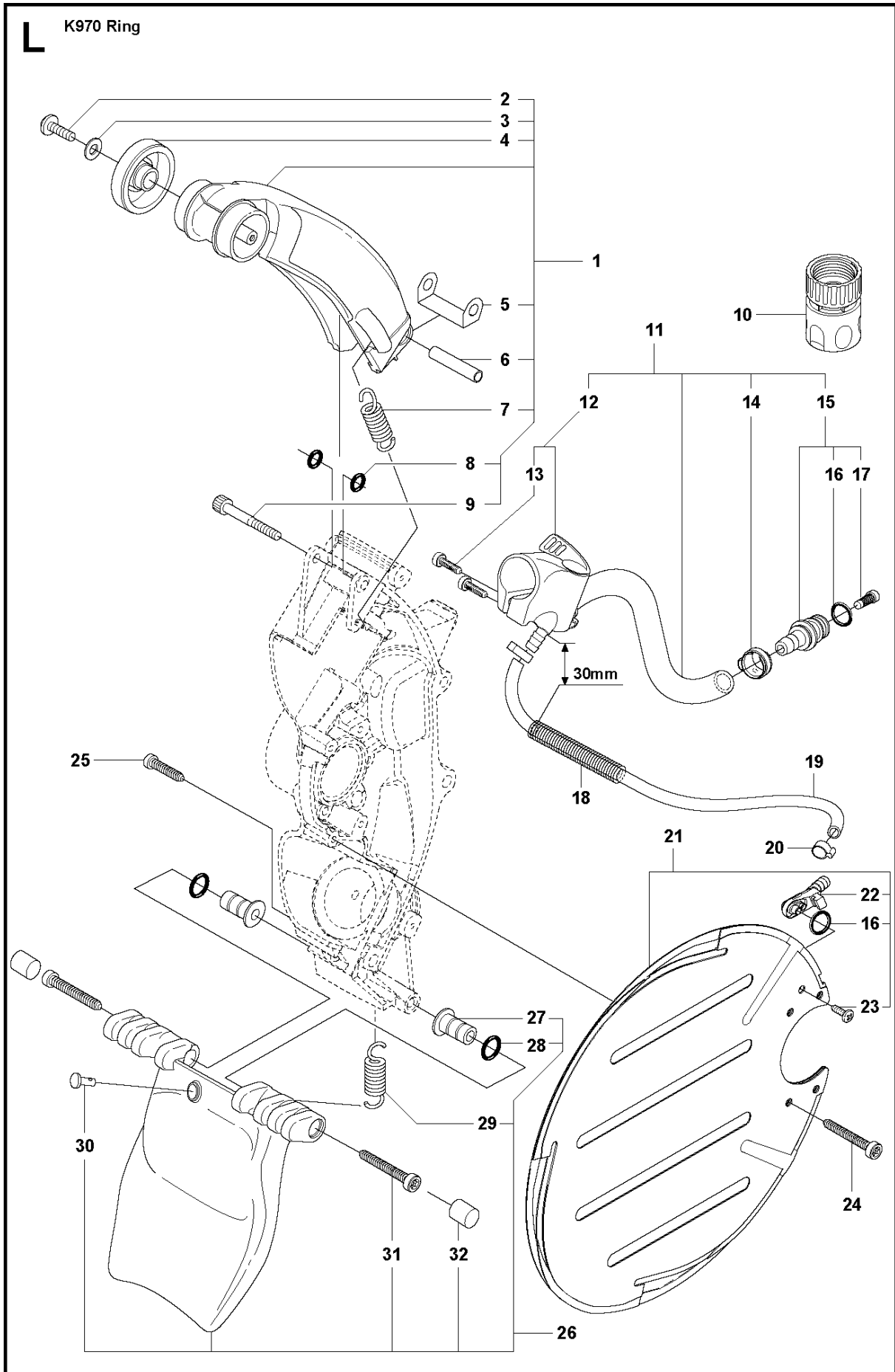
| Ref | Part No | Description | Remark | QTY KIT |
|-----|--------------|----------------|---------------------|---------|
| 1 | 588 05 86-01 | CRANKCASE ASSY | Incl. 2 - 11 | 1 |
| 2 | 503 21 53-49 | SCREW ITXSCM | | 7 |
| 3 | 503 26 02-04 | SEALING RING | | 2 |
| 4 | 503 21 53-56 | SCREW ITXSCM | | 1 |
| 5 | 544 09 64-01 | BELT GUIDE | | 1 |
| 6 | 544 09 77-01 | BUSHING | | 1 |
| 7 | 501 27 08-01 | GUIDE BUSHING | | 2 |
| 8 | 506 41 39-04 | GASKET | | 1 |
| 9 | 522 85 61-01 | RUBBER BUSHING | | 1 |
| 10 | 503 25 00-02 | BALL BEARING | | 2 |
| 11 | 544 22 98-03 | GASKET KIT | Incl. 3, 8, 12 - 13 | 1 |
| 12 | 576 49 94-01 | GASKET | | 1 |
| 13 | 506 37 81-01 | GASKET | | 1 |
| 14 | 506 03 32-02 | SCREW | | 2 |
| 15 | 506 34 91-01 | BRACKET | | 1 |
| 16 | 505 57 41-01 | SCREW ITXSCM | | 2 |



FUEL TANK & HANDLE

K970 RING, 2011-12

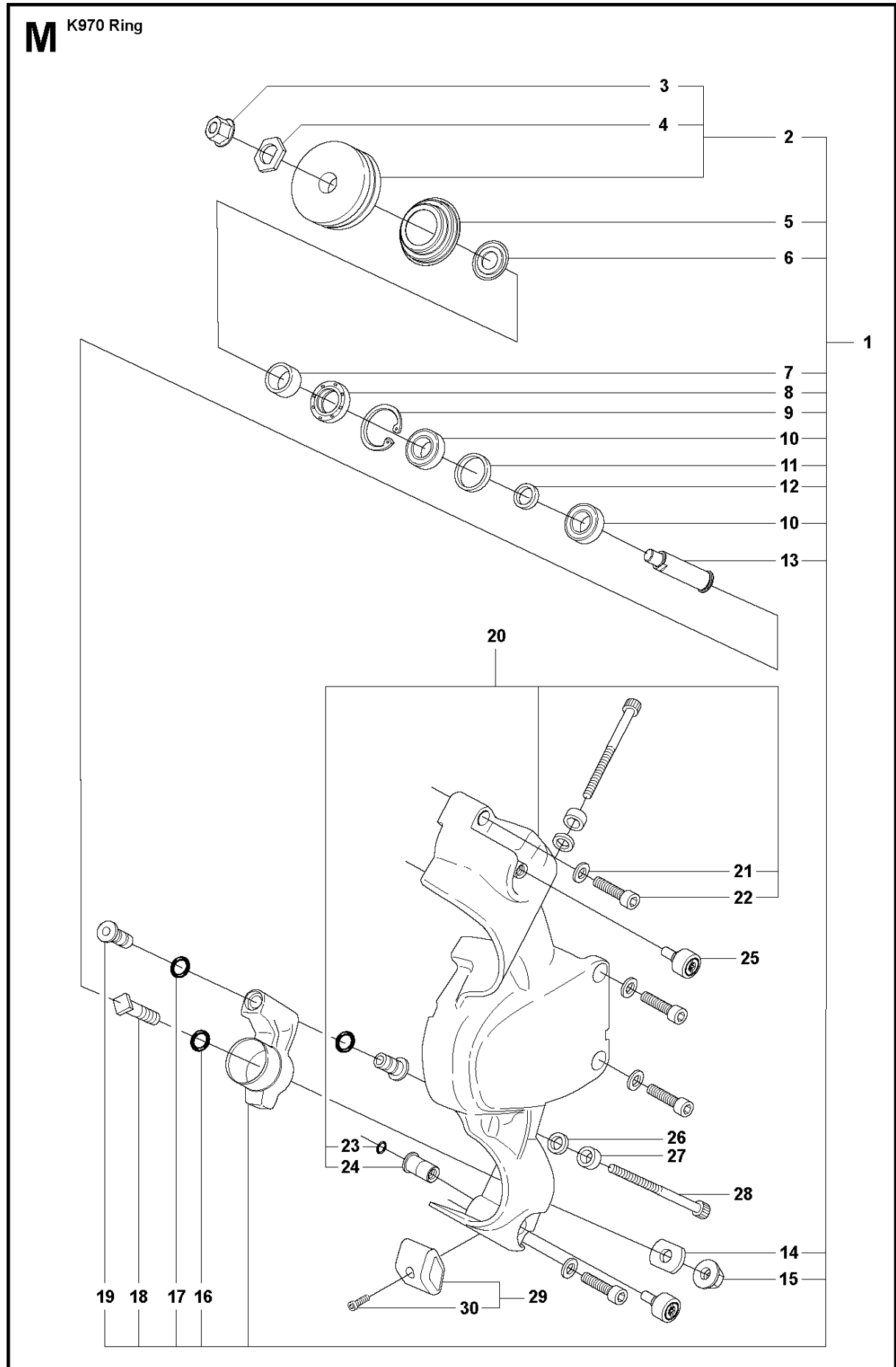
| Ref | Part No | Description | Remark | QTY KIT |
|-----|--------------|-----------------------|---------------|---------|
| 1 | 544 06 12-01 | SCREW ITXSCM | | 1 |
| 2 | 503 21 54-20 | SCREW ITXSCT | | 4 |
| 3 | 523 02 75-01 | HANDLE | | 1 |
| 4 | 505 42 45-02 | ANTIVIBRATION ELEMENT | | 1 |
| 5 | 574 50 58-04 | FUEL TANK ASSY | Incl. 6 - 28 | 1 |
| 6 | 525 57 20-01 | DECAL | | 1 |
| 7 | 506 31 30-01 | LABEL | | 1 |
| 8 | 537 20 56-01 | COVER | | 1 |
| 9 | 510 25 52-01 | THROTTLE LOCKOUT | | 1 |
| 10 | 537 20 85-01 | CABLE LEVER | | 1 |
| 11 | 720 12 40-20 | PARALLEL PIN | | 2 |
| 12 | 574 44 42-01 | CLIP | | 1 |
| 13 | 544 32 50-02 | FUEL HOSE | 300 mm | 1 |
| 14 | 506 26 41-11 | FUEL FILTER | Incl. 15 - 16 | 1 |
| 15 | 506 27 11-01 | HOSE CLAMP | | 1 |
| 16 | 506 26 41-01 | FUEL FILTER | | 1 |
| 17 | 537 04 24-04 | FUEL HOSE | 190 mm | 1 |
| 18 | 575 52 65-01 | CHECK VALVE | | 1 |
| 19 | 522 79 96-01 | HOLDER ASSY | | 1 |
| 20 | 537 35 95-01 | TANK VENT ASSY | | 1 |
| 21 | 576 49 04-01 | THROTTLE CABLE ASSY | | 1 |
| 22 | 502 47 16-01 | GROUND SUPPORT | | 1 |
| 23 | 540 05 49-02 | AIR PURGE | | 1 |
| 24 | 525 88 74-02 | SCREW CITXPANT | | 1 |
| 25 | 502 47 18-01 | THROTTLE CONTROL | | 1 |
| 26 | 537 20 98-01 | SPRING | | 1 |
| 27 | 544 32 49-30 | FUEL HOSE | 70 mm | 1 |
| 28 | 503 73 58-01 | BUSHING | | 1 |
| 29 | 506 25 59-03 | TANK CAP ASSY | Incl. 30 - 31 | 1 |
| 30 | 506 29 21-01 | GASKET | | 1 |
| 31 | 503 57 89-01 | HOLDER | | 1 |
| 32 | 544 06 12-01 | SCREW ITXSCM | | 3 |
| 33 | 537 21 03-09 | ANTIVIBRATION ELEMENT | | 1 |
| 34 | 537 21 03-10 | ANTIVIBRATION ELEMENT | | 1 |
| 35 | 537 21 03-05 | ANTIVIBRATION ELEMENT | | 1 |
| 36 | 503 23 00-80 | WASHER | | 1 |



GUARDS

K970 RING, 2011-12

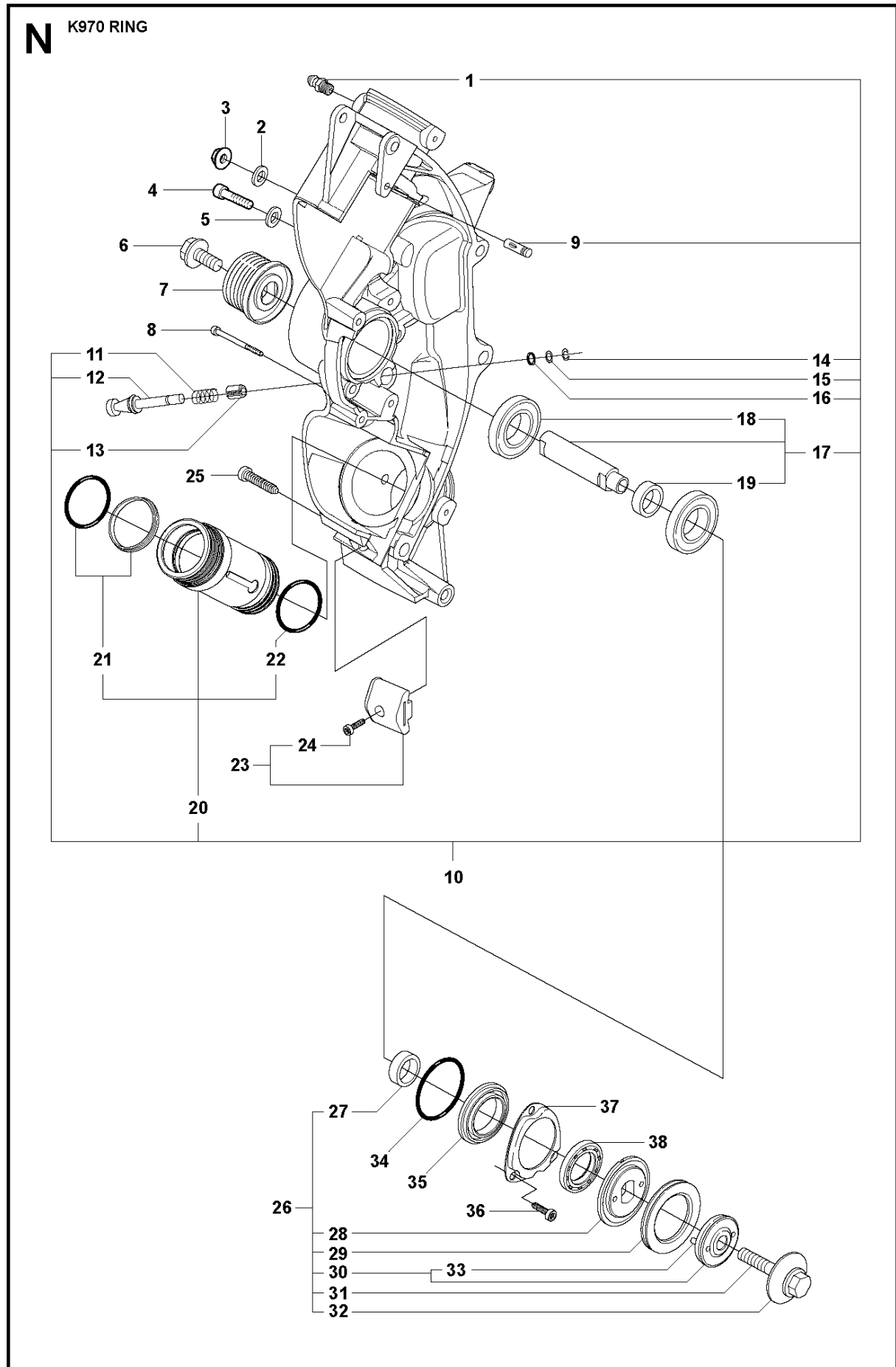
| Ref | Part No | Description | Remark | QTY KIT |
|-----|--------------|-------------------|-------------------|---------|
| 1 | 506 24 69-06 | BLADE GUARD | Incl. 2 - 9 | 1 |
| 2 | 503 21 46-01 | SCREW | | 2 |
| 3 | 734 48 80-01 | WASHER | | 2 |
| 4 | 506 26 22-02 | WHEEL | | 2 |
| 5 | 506 31 28-01 | COVER PLATE | | 1 |
| 6 | 506 31 45-01 | SPACING TUBE | | 1 |
| 7 | 504 11 67-01 | SPRING | | 1 |
| 8 | 503 26 30-25 | O-RING | | 2 |
| 9 | 544 21 84-47 | SCREW ITXSCM | | 1 |
| 10 | 503 26 60-03 | COUPLER | | 1 |
| 11 | 506 38 59-04 | HOSE ASSY | Incl. 12, 14 - 15 | 1 |
| 12 | 506 38 60-12 | VALVE ASSY | Incl 13 | 1 |
| 13 | 503 21 54-20 | SCREW ITXSCT | | 2 |
| 14 | 506 09 56-06 | HOSE CLAMP | | 2 |
| 15 | 506 29 57-02 | NIPPLE | Incl. 16, 17 | 1 |
| 16 | 503 26 30-21 | O-RING | | 2 |
| 17 | 506 29 88-01 | FILTER | | 1 |
| 18 | 506 35 27-01 | PROTECTIVE SPRING | | 1 |
| 19 | 506 09 58-12 | HOSE | 210 mm | 1 |
| 20 | 506 09 56-03 | HOSE CLAMP | | 2 |
| 21 | 506 38 33-01 | DISC | Incl. 16, 22, 23 | 1 |
| 22 | 506 38 29-01 | NIPPLE | | 1 |
| 23 | 729 52 89-71 | SCREW CRPANT | | 1 |
| 24 | 505 57 41-01 | SCREW ITXSCM | | 4 |
| 25 | 503 21 53-20 | SCREW ITXSCM | | 1 |
| 26 | 506 35 22-05 | SPRAY GUARD ASSY | Incl. 27 - 32 | 1 |
| 27 | 506 33 49-02 | SPACING TUBE | | 2 |
| 28 | 740 42 05-00 | O-RING | | 2 |
| 29 | 506 33 95-01 | DRAW SPRING | | 1 |
| 30 | 506 33 96-01 | BOLT | | 1 |
| 31 | 544 21 84-37 | SCREW ITXSCM | | 2 |
| 32 | 506 34 90-01 | SEALING | | 2 |



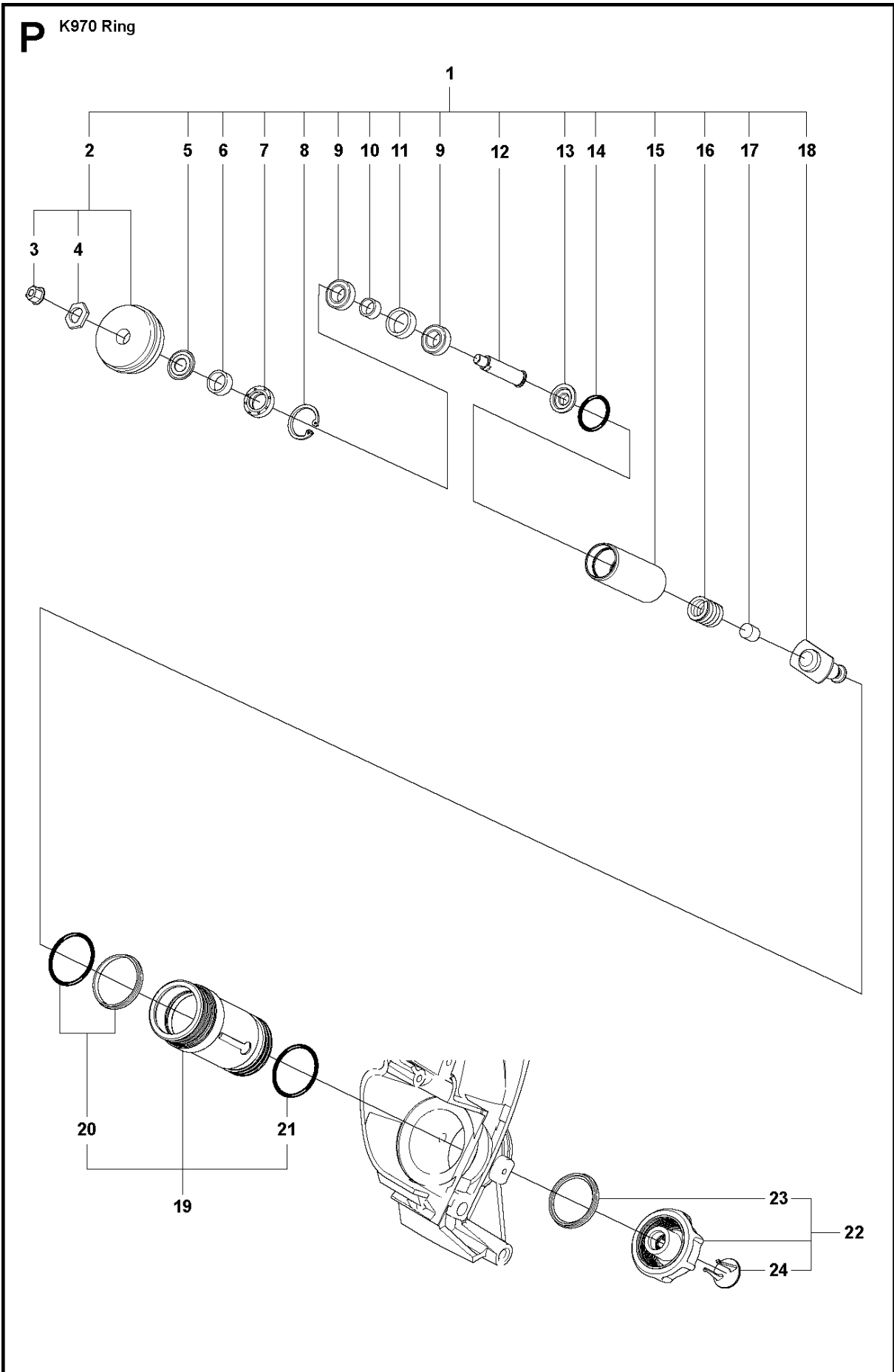
LEVEL ASSY

K970 RING, 2011-12

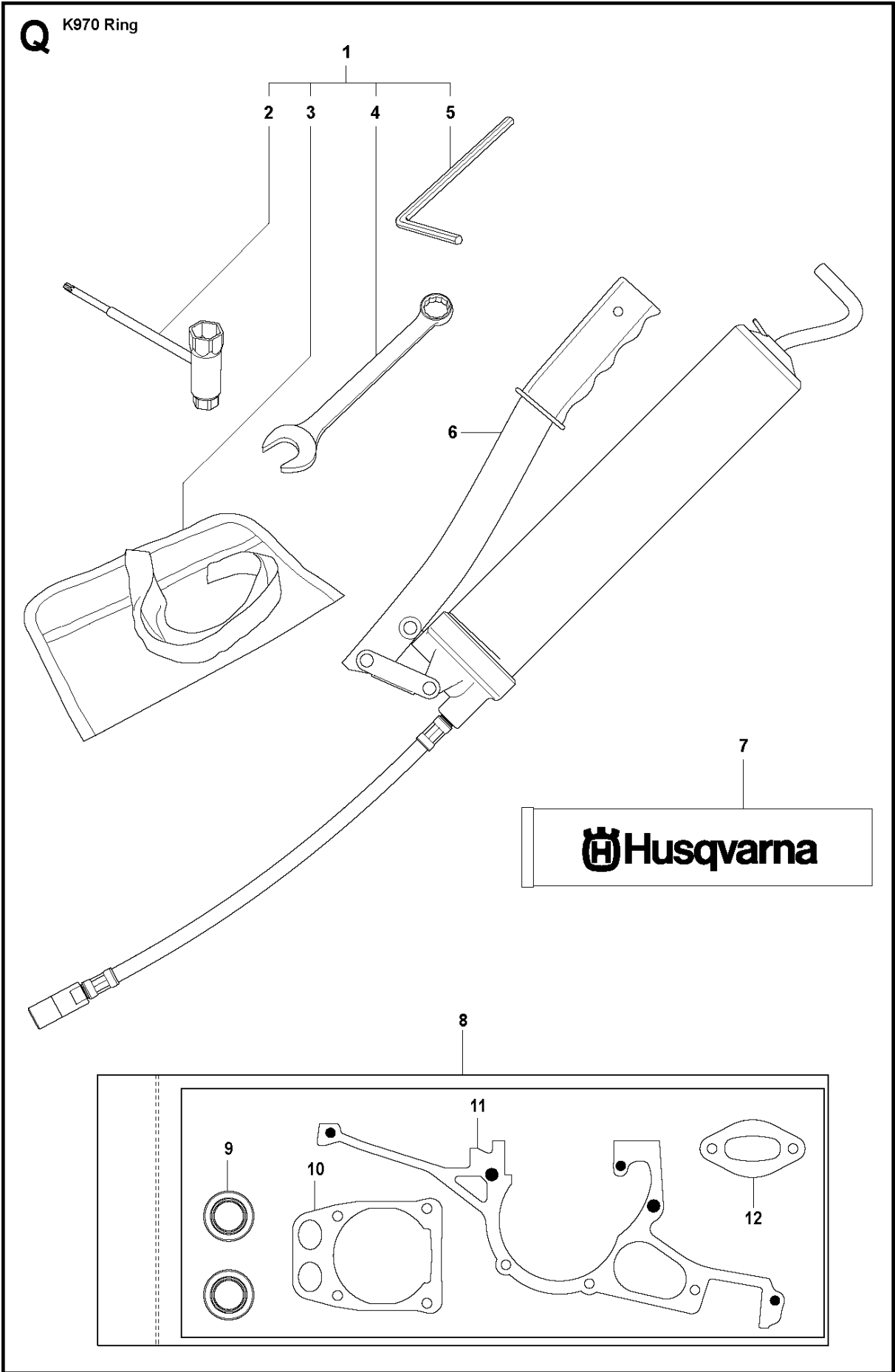
| Ref | Part No | Description | Remark | QTY KIT |
|-----|--------------|------------------|-----------------|---------|
| 1 | 506 35 18-07 | LEVER ASSY | Incl. 2, 5 - 18 | 2 |
| 2 | 506 35 21-03 | SUPPORT ROLLER | Incl. 3, 4 | 1 |
| 3 | 503 22 04-01 | NUT | Fine thread | 1 |
| 4 | 506 30 34-01 | DRIVER | | 1 |
| 5 | 506 39 95-01 | SEALING | | 1 |
| 6 | 506 32 17-01 | WASHER | | 1 |
| 7 | 506 37 93-02 | SPACING SLEEVE | | 1 |
| 8 | 503 26 20-01 | SEALING RING | | 1 |
| 9 | 735 31 28-10 | CIRCLIP | | 1 |
| 10 | 503 25 24-01 | BALL BEARING | | 2 |
| 11 | 506 31 68-02 | SPACING SLEEVE | | 1 |
| 12 | 506 30 33-02 | SPACING SLEEVE | | 1 |
| 13 | 506 49 32-02 | SHAFT | | 1 |
| 14 | 506 34 63-01 | WASHER | | 1 |
| 15 | 503 22 00-01 | HEXAGON NUT | | 1 |
| 16 | 503 26 30-08 | O-RING | | 1 |
| 17 | 503 26 30-26 | O-RING | | 2 |
| 18 | 506 34 64-01 | SCREW | | 1 |
| 19 | 506 33 49-03 | SPACING TUBE | | 2 |
| 20 | 506 49 33-03 | COVER | Incl. 21 - 24 | 1 |
| 21 | 503 23 04-03 | WASHER | | 4 |
| 22 | 503 20 54-35 | SCREW | | 4 |
| 23 | 740 42 04-00 | O-RING | | 2 |
| 24 | 506 33 08-01 | THREAD INSERT | | 2 |
| 25 | 505 57 49-01 | ADJUSTMENT WHEEL | | 2 |
| 26 | 506 37 63-01 | SPACER | | 2 |
| 27 | 506 37 64-01 | RUBBER BUSHING | | 2 |
| 28 | 725 53 81-56 | SCREW IHSCM | | 2 |
| 29 | 506 35 19-03 | WEAR PROTECTION | Incl. 29 | 1 |
| 30 | 505 57 41-01 | SCREW ITXSCM | | 1 |



| Ref | Part No | Description | Remark | QTY KIT |
|-----|--------------|--------------------|-------------------------|---------|
| 1 | 738 88 10-01 | LUBRICATION NIPPLE | | 2 |
| 2 | 503 22 00-01 | HEXAGON NUT | | 2 |
| 3 | 503 23 04-01 | WASHER | | 2 |
| 4 | 725 54 59-05 | SCREW IHSCM | | 1 |
| 5 | 503 23 04-03 | WASHER | | 1 |
| 6 | 503 20 00-45 | SCREW EHHFM | | 1 |
| 7 | 506 27 75-01 | PULLEY | | 1 |
| 8 | 501 98 10-80 | SCREW ITXSCM | | 1 |
| 9 | 721 12 52-70 | GROOVED PIN | | 1 |
| 10 | 506 38 90-07 | CHASSIS | Incl. 1, 9, 11 - 17, 20 | 1 |
| 11 | 506 25 73-01 | COMPRESSION SPRING | | 1 |
| 12 | 506 32 80-01 | LOCKING BUTTON | | 1 |
| 13 | 721 44 06-00 | SPRING PIN | | 1 |
| 14 | 735 31 08-00 | CIRCLIP | | 1 |
| 15 | 503 23 01-12 | WASHER | | 1 |
| 16 | 503 26 30-22 | O-RING | | 2 |
| 17 | 506 35 15-02 | DRIVE SHAFT | Incl. 18 - 19 | 1 |
| 18 | 583 95 33-01 | BALL BEARING | | 2 |
| 19 | 506 37 50-02 | SPACER | | 1 |
| 20 | 544 07 76-01 | SLEEVE | Incl. 21 - 22 | 2 |
| 21 | 506 34 39-01 | WIRE | | 2 |
| 22 | 740 48 25-02 | O-RING | | 2 |
| 23 | 506 35 19-03 | WEAR PROTECTION | Incl. 24 | 1 |
| 24 | 505 57 41-01 | SCREW ITXSCM | | 1 |
| 25 | 503 21 53-20 | SCREW ITXSCM | | 1 |
| 26 | 506 35 23-04 | GEAR WHEEL ASSY | Incl. 27 - 32 | 1 |
| 27 | 506 37 49-01 | SLEEVE | | 1 |
| 28 | 506 37 46-02 | FLANGE WASHER | | 1 |
| 29 | 506 17 83-04 | GEAR WHEEL | | 1 |
| 30 | 506 31 22-02 | DRIVER | Incl. 33 | 1 |
| 31 | 506 13 96-01 | SCREW EHHFM | | 1 |
| 32 | 506 13 95-11 | WASHER | | 1 |
| 33 | 721 42 52-50 | SPRING PIN | | 2 |
| 34 | 740 42 24-00 | O-RING | | 1 |
| 35 | 506 37 48-01 | SEALING | | 1 |
| 36 | 503 21 53-12 | SCREW ITXSCM | | 3 |
| 37 | 506 37 47-01 | SEALING COLLAR | | 1 |
| 38 | 503 26 21-01 | SEALING RING | | 1 |



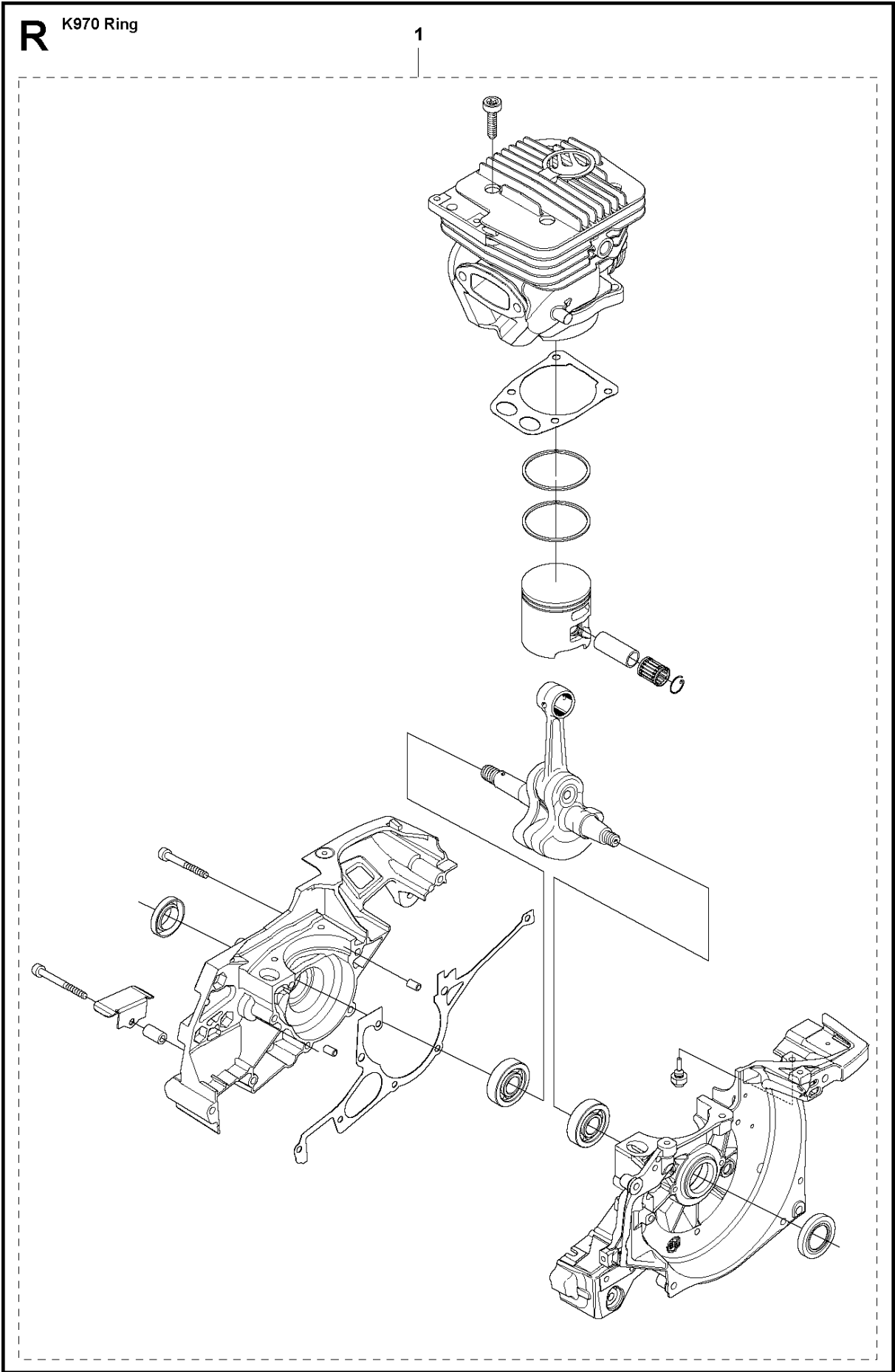
| Ref | Part No | Description | Remark | QTY KIT |
|-----|--------------|--------------------|-----------------|---------|
| 1 | 506 49 34-01 | BEARING CAGE | Incl. 2, 5 - 18 | 2 |
| 2 | 506 35 20-05 | GUIDE ROLLER | Incl. 3, 4 | 1 |
| 3 | 503 22 04-01 | NUT | | 1 |
| 4 | 506 30 34-01 | DRIVER | | 1 |
| 5 | 506 31 69-01 | DUST COVER | | 1 |
| 6 | 506 37 93-02 | SPACING SLEEVE | | 1 |
| 7 | 503 26 20-01 | SEALING RING | | 1 |
| 8 | 735 31 28-10 | CIRCLIP | | 1 |
| 9 | 503 25 24-01 | BALL BEARING | | 2 |
| 10 | 506 30 33-01 | SPACING SLEEVE | | 1 |
| 11 | 506 31 68-01 | SPACING SLEEVE | | 1 |
| 12 | 506 49 32-01 | SHAFT | | 1 |
| 13 | 506 38 11-01 | HUB CAP | | 1 |
| 14 | 740 48 20-12 | O-RING | | 1 |
| 15 | 506 38 09-01 | BEARING CAGE | | 1 |
| 16 | 506 34 76-01 | COMPRESSION SPRING | | 1 |
| 17 | 506 30 35-01 | BUMPER | | 1 |
| 18 | 506 38 97-01 | PEN | | 1 |
| 19 | 544 07 76-01 | SLEEVE | Incl. 20, 21 | 2 |
| 20 | 506 34 39-01 | WIRE | | 1 |
| 21 | 740 48 25-02 | O-RING | | 1 |
| 22 | 506 38 22-02 | KNOB | Incl. 23 | 1 |
| 23 | 506 33 65-01 | SEALING RING | | 1 |
| 24 | 506 38 21-02 | HUB CAP | | 1 |



TOOLS

K970 RING, 2011-12

| Ref | Part No | Description | Remark | QTY KIT |
|-----|--------------|--------------|--------------|---------|
| 1 | 506 36 38-04 | TOOL | Incl. 2 - 5 | 1 |
| 2 | 506 38 26-01 | TOOL | | 1 |
| 3 | 501 19 22-01 | TOOL | | 1 |
| 4 | 506 35 52-01 | SPANNER | 19mm | 1 |
| 5 | 506 36 36-01 | HEX KEY | Allenkey 6mm | 1 |
| 6 | 506 38 49-02 | GUN | | 1 |
| 7 | 544 08 04-02 | GREASE | | 1 |
| 8 | 544 22 98-03 | GASKET KIT | Incl. 9 - 12 | 1 |
| 9 | 503 26 02-04 | SEALING RING | | 2 |
| 10 | 576 49 94-01 | GASKET | | 1 |
| 11 | 506 41 39-04 | GASKET | | 1 |
| 12 | 506 37 81-01 | GASKET | | 1 |



ENGINE

K970 RING, 2011-12

| Ref | Part No | Description | Remark | QTY KIT |
|-----|--------------|-------------|-----------------------|---------|
| 1 | 588 48 74-02 | ENGINE | Replaces 576 88 12-06 | 1 |