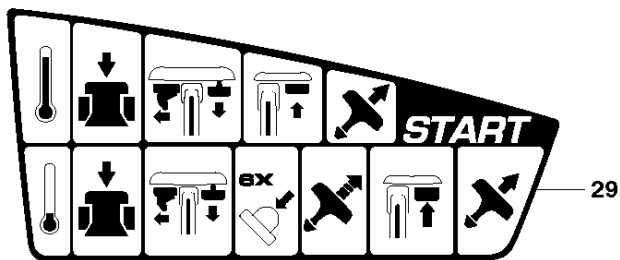
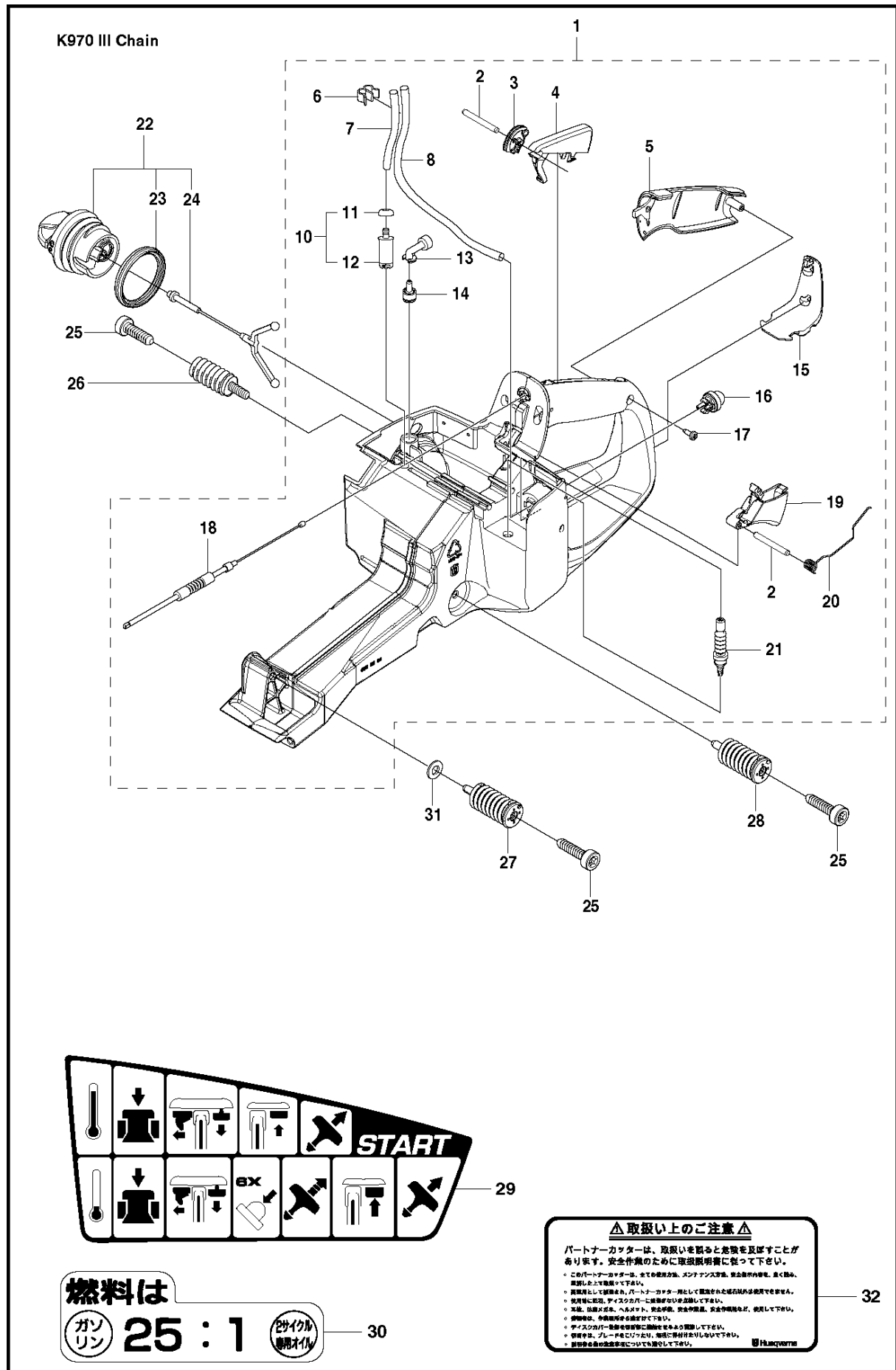




SPARE PARTS LIST

POWER CUTTERS

K970 III CHAIN



燃料は
ガソリン 25 : 1
 2サイクル専用オイル

△ 取扱い上の注意 △
 パートナーカッターは、取扱いを誤ると危険を及ぼすことが
 あります。安全作業のために取扱説明書に経って下さい。
 * このパートナーカッターは、全ての取扱方法、メンテナンス方法、安全作業内容を、よく読み、
 理解した上で取扱って下さい。
 * 取扱いとして説明書、パートナーカッター用として提供された磁石MMAを使用できません。
 * 取扱いに当たって、アースカッターに接続がないことを確認して下さい。
 * 充電、放電が出来、ヘルメット、安全眼鏡、安全作業服など、着用して下さい。
 * 作業中は、手袋を着用して下さい。
 * アースカッター-磁石を同時に接続をせざるを要する取扱いして下さい。
 * 取扱中は、ブレーキを引いて下さい。取扱いに際しては必ず引いて下さい。
 * 取扱中は必ず安全作業に従って取扱いして下さい。

K970 III Chain

1

22

23

24

25

26

18

31

27

25

28

25

29

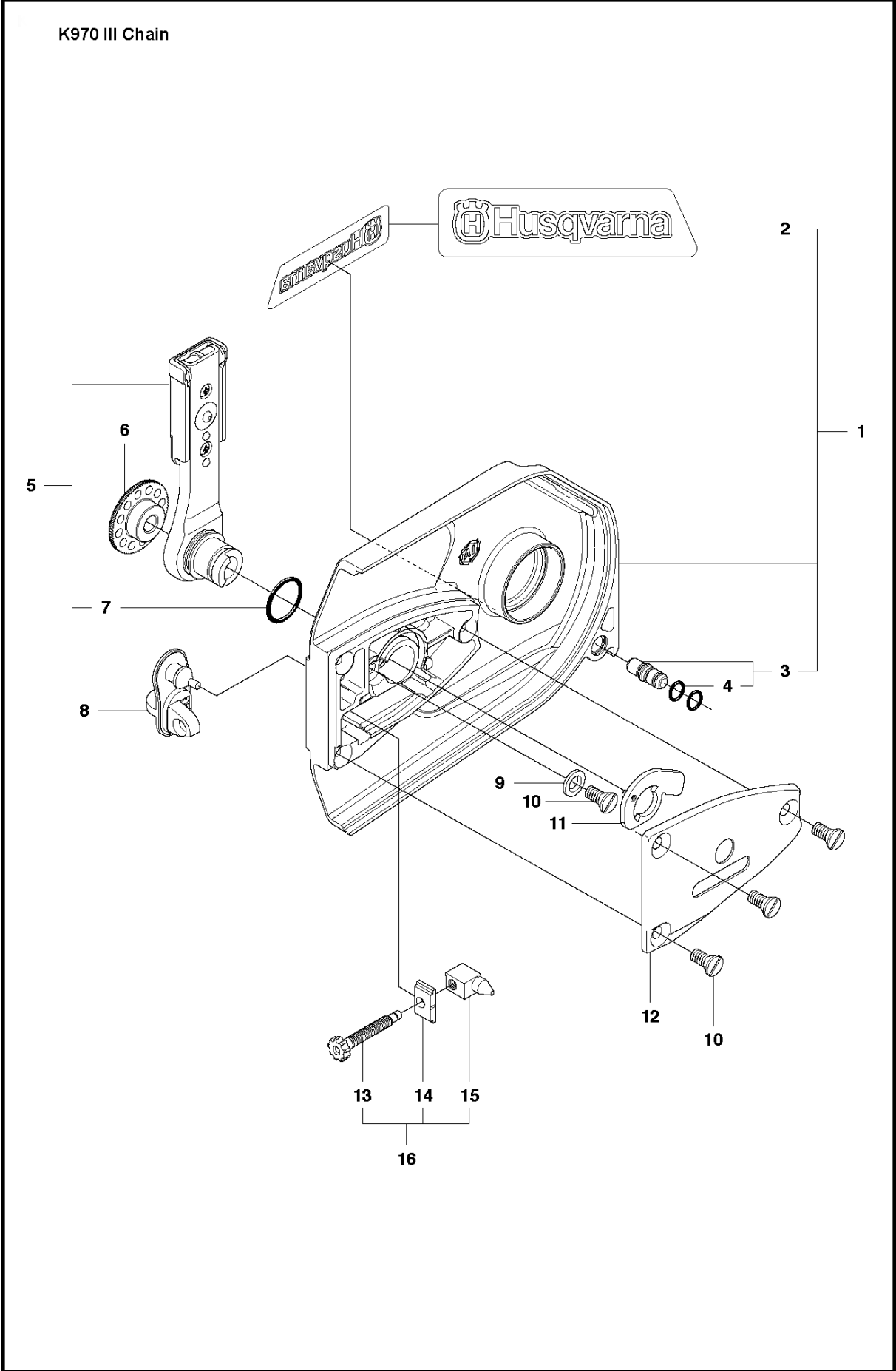
32

30

FUEL TANK

K970 III CHAIN

Ref	Part No	Description	Remark	QTY KIT
1	581 92 21-14	FUEL TANK ASSY	Incl. 2-20	1
2	720 12 40-20	PARALLEL PIN		2
3	537 20 85-01	LEVER		1
4	510 25 52-01	THROTTLE LOCKOUT		1
5	537 20 56-01	COVER		1
6	574 44 42-01	CLIP		1
7	581 75 62-02	FUEL HOSE		1
8	537 04 24-18	FUEL HOSE		1
10	506 26 41-11	FUEL FILTER		1
11	506 27 11-01	HOSE CLAMP		1
12	506 26 41-01	FUEL FILTER		1
13	576 90 04-01	TANK VENT ASSY		1
14	501 15 29-01	TANK VENT ASSY		1
15	502 47 16-01	GROUND SUPPORT		1
16	540 05 49-01	PURGE		1
17	525 88 74-02	SCREW CITXPANT		1
18	576 49 04-01	THROTTLE CABLE ASSY		1
19	502 47 18-01	THROTTLE CONTROL		1
20	537 20 98-01	SPRING		1
21	576 13 99-01	FUEL HOSE		1
22	522 62 00-03	TANK CAP ASSY		1
23	589 24 11-01	GASKET	For K970 chain III (2-Bolt), K970 chain III	1
24	503 57 89-01	HOLDER		1
25	544 06 12-01	SCREW ITXSCM		3
26	537 21 03-09	ANTIVIBRATION ELEMENT		1
27	537 21 03-10	ANTIVIBRATION ELEMENT		1
28	537 21 03-05	ANTIVIBRATION ELEMENT		1
29	525 57 20-02	DECAL		1
30	506 31 30-01	LABEL	Japan Only	1
31	503 23 00-80	WASHER		1
32	506 24 34-35	DECAL	Japan Only	1

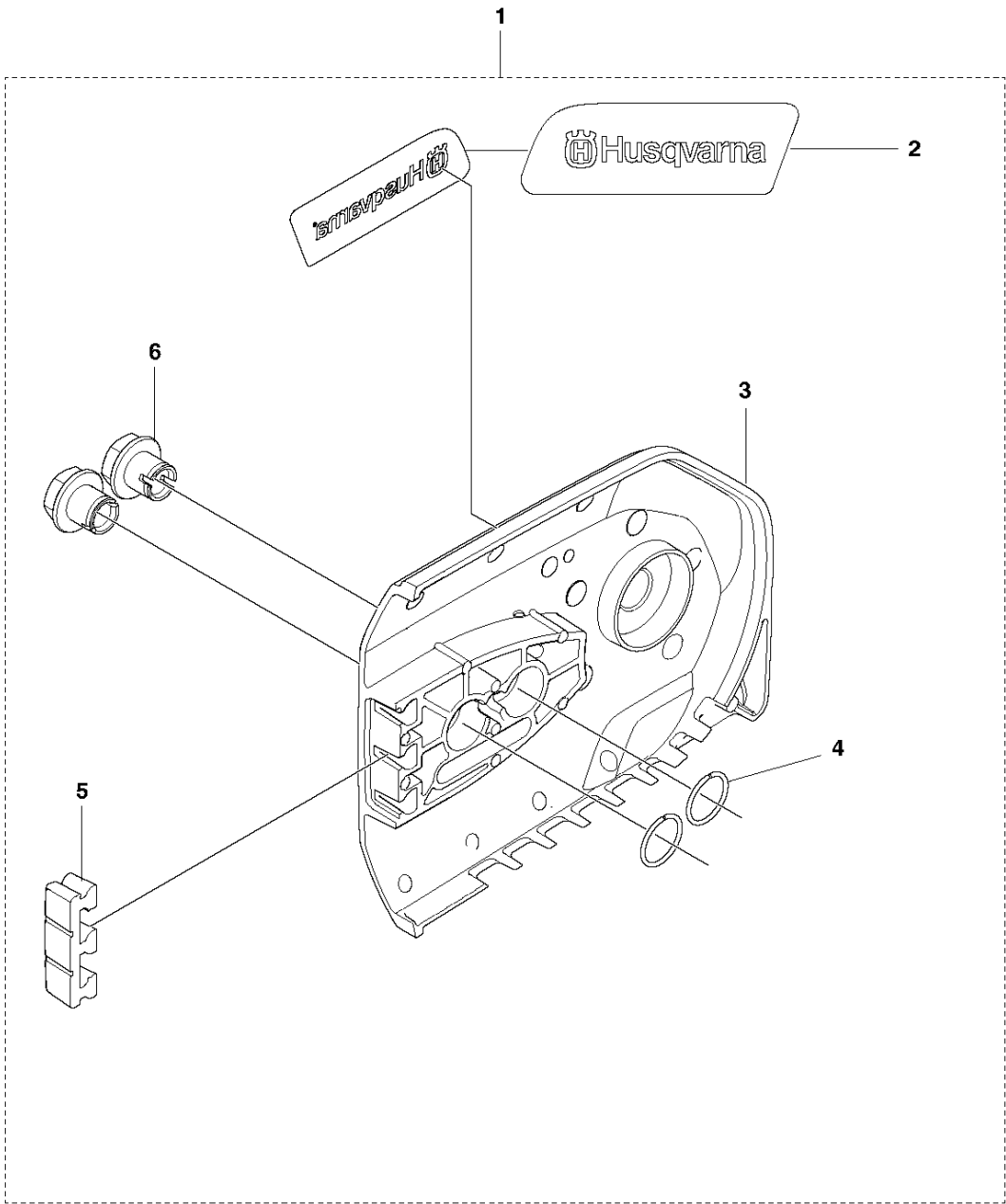


CLUTCH COVER

K970 III CHAIN

Ref	Part No	Description	Remark	QTY KIT
1	506 33 25-05	CLUTCH COVER	Incl. 2, 3	1
2	544 87 23-01	LABEL		1
3	544 05 77-01	GUIDE PIN	Incl. 4	1
4	740 42 04-00	O-RING		2
5	506 34 10-04	LEVER	Incl. 7	1
6	506 39 88-01	ADJUSTING NUT		1
7	740 48 18-02	O-RING		1
8	506 33 34-02	COVER		1
9	506 33 28-01	LOCKWASHER		1
10	723 53 27-51	SCREW SLCSFM		3
11	506 34 72-01	LEVER		1
12	506 33 35-01	HUB CAP		1
13	506 38 77-01	SCREW		1
14	506 33 32-01	PLATE		1
15	506 33 33-01	PAWL		1
16	506 35 94-03	SCREW	Incl. 13 - 15	1

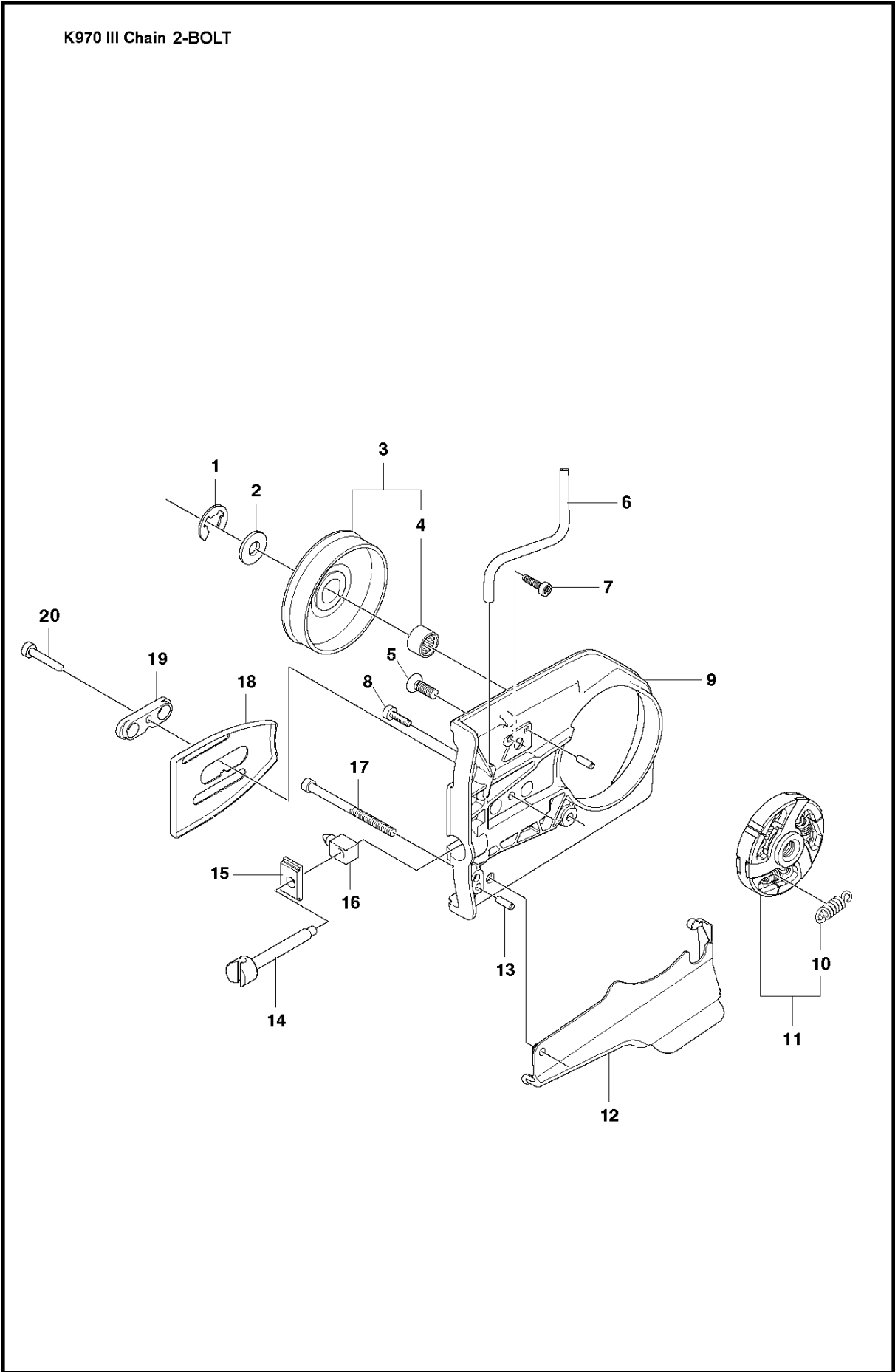
K970 III Chain 2-BOLT



CLUTCH COVER

K970 III CHAIN

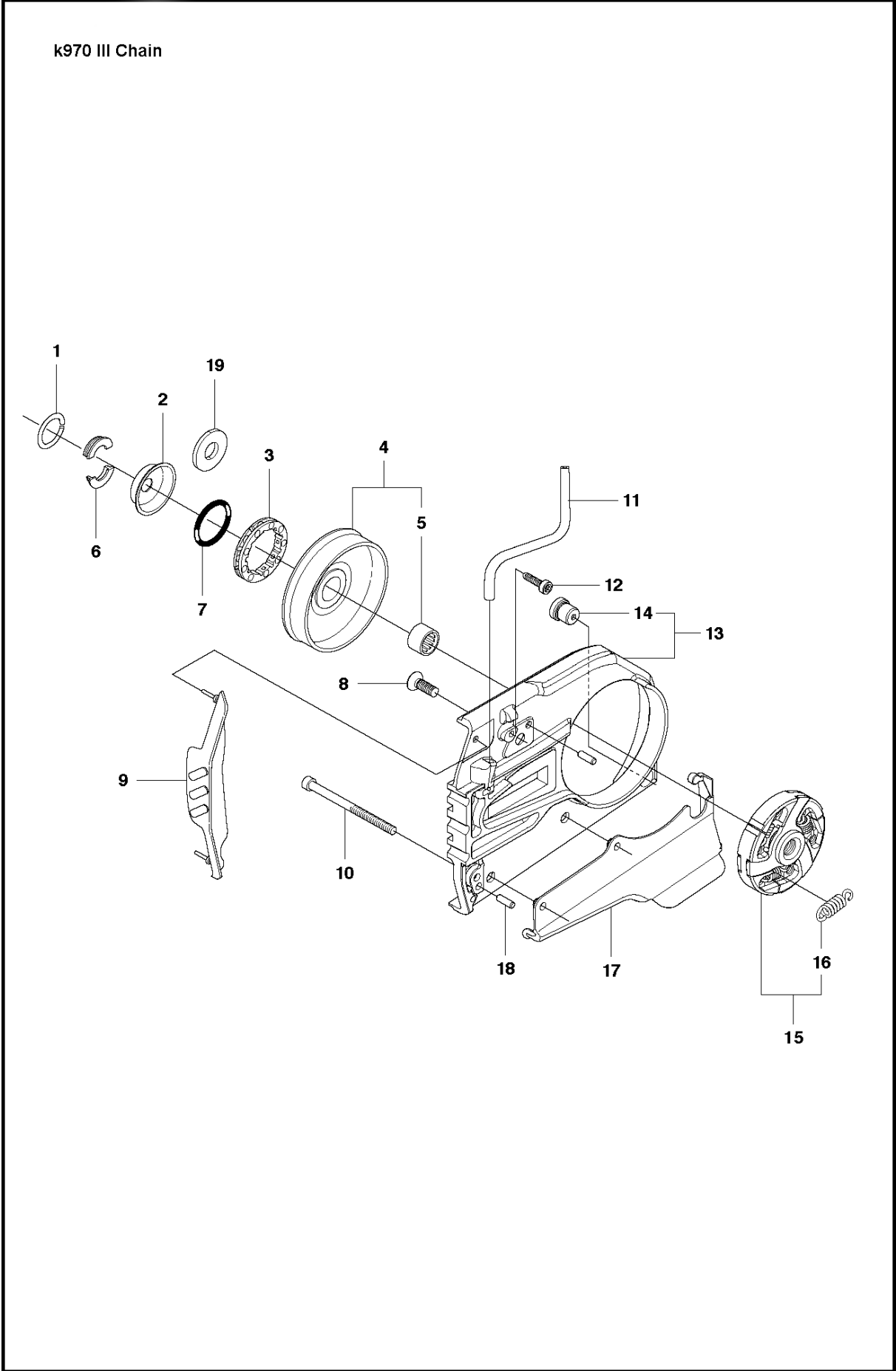
Ref	Part No	Description	Remark	QTY	KIT
1	595 02 30-01	CLUTCH COVER ASSY		1	1
2	587 32 86-01	DECAL		1	1
3	582 71 71-01	CLUTCH COVER		1	1
4	506 28 76-01	RETAINER RING		1	1
5	587 09 83-01	WEAR PROTECTION		1	1
6	586 21 71-01	NUT		2	1



CLUTCH

K970 III CHAIN

Ref	Part No	Description	Remark	QTY	KIT
1	503 27 21-01	E-CLIP		1	
2	574 84 20-01	SPACER		1	
3	576 11 62-02	CLUTCH DRUM ASSY		1	
4	503 25 53-01	NEEDLE BEARING		1	3
5	725 64 53-01	SCREW IHCSFM		1	
6	577 30 84-01	PIPE		1	
7	503 21 53-10	SCREW ITXSCM		1	
8	503 21 53-16	SCREW ITXSCM		1	
9	582 74 20-02	BAR BRACKET	Incl. 8	1	
10	588 42 15-01	CLUTCH SPRING		3	11
11	506 33 38-03	CLUTCH ASSY	Incl. 11	1	
12	506 39 96-03	SHIELD		1	
13	720 13 07-10	PARALLEL PIN		2	
14	587 08 57-01	SCREW		1	
15	506 33 32-01	PLATE		1	
16	587 08 82-01	PAWL		1	
17	503 21 53-65	SCREW ITXSCM		1	
18	582 87 56-01	COVER PLATE		1	
19	590 27 32-01	BRACKET		1	
20	575 79 12-02	SCREW ITXSCM		1	

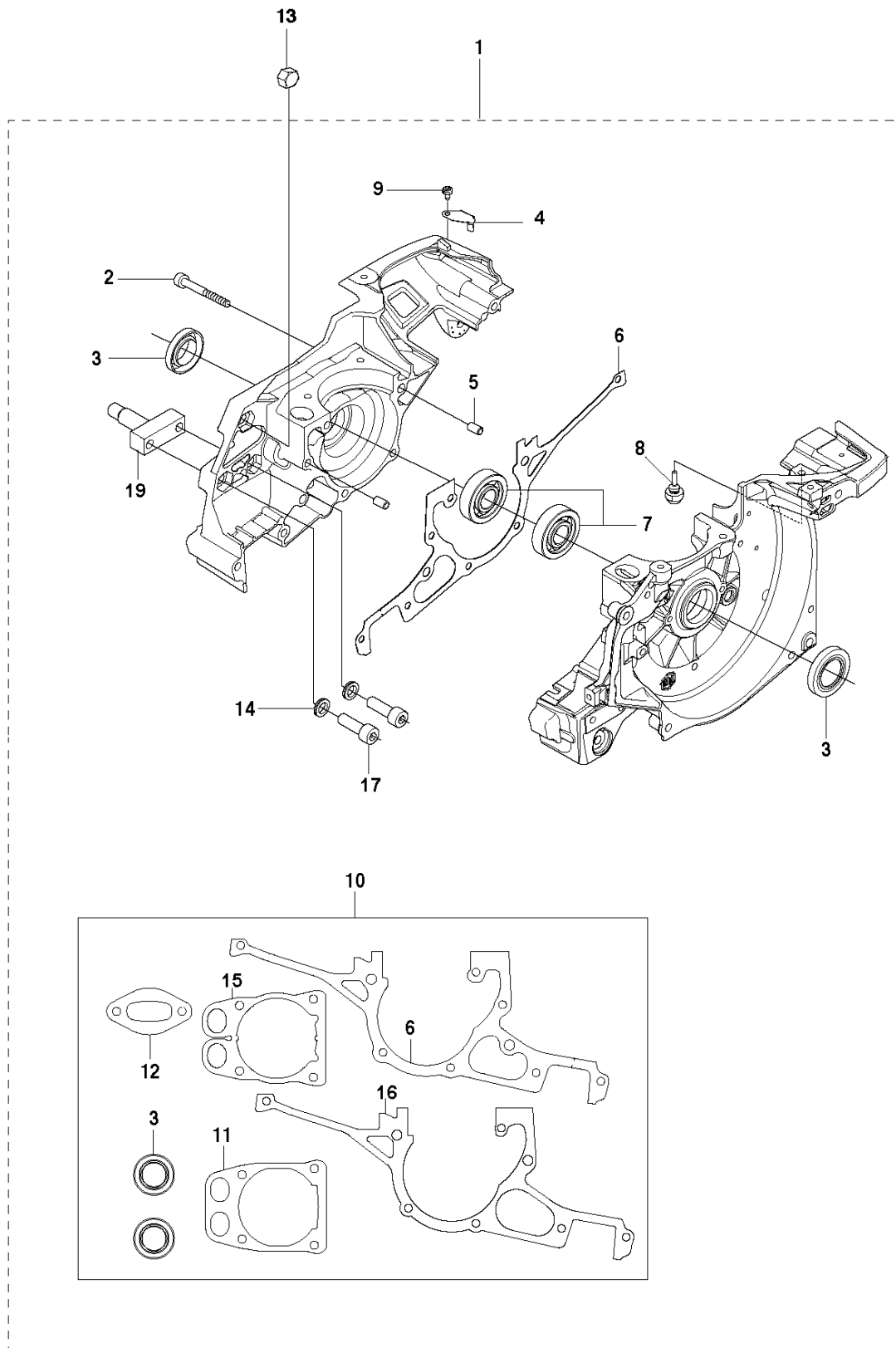


CLUTCH

K970 III CHAIN

Ref	Part No	Description	Remark	QTY KIT
1	506 28 76-01	RETAINER RING		1
2	506 33 44-01	SUPPORT CUP	For 9-spline and 3/8" only	1
3	506 33 42-01	RIM SPROCKET	For 9-spline and 3/8" only	1
3	505 30 36-61	RIM	For 7-spline and 3/8" only	1
4	506 34 09-11	GEAR WHEEL	Incl. 5 For 9-spline and 3/8" only	1
4	576 11 62-02	CLUTCH DRUM ASSY	Incl. 5 For 7-spline and .444" only	1
5	503 25 53-01	NEEDLE BEARING		1
6	506 28 75-02	CIRCLIP		2
7	740 44 07-00	O-RING	For 9-spline and 3/8" only	1
8	725 64 53-01	SCREW IHCSFM		1
9	506 35 44-02	WEAR PROTECTION		1
10	503 21 53-65	SCREW ITXSCM		1
11	577 30 84-01	PIPE		1
12	503 21 53-10	SCREW ITXSCM		1
13	506 32 95-05	BAR BRACKET	Incl. 14	1
14	506 40 13-01	BUSHING		1
15	506 33 38-02	CLUTCH ASSY	Incl. 16	1
16	588 42 15-01	CLUTCH SPRING		3
17	506 39 96-02	SHIELD		1
18	720 13 07-10	PARALLEL PIN		2
19	574 84 20-01	SPACER	For 7-spline and .444" only	1

K970 III Chain



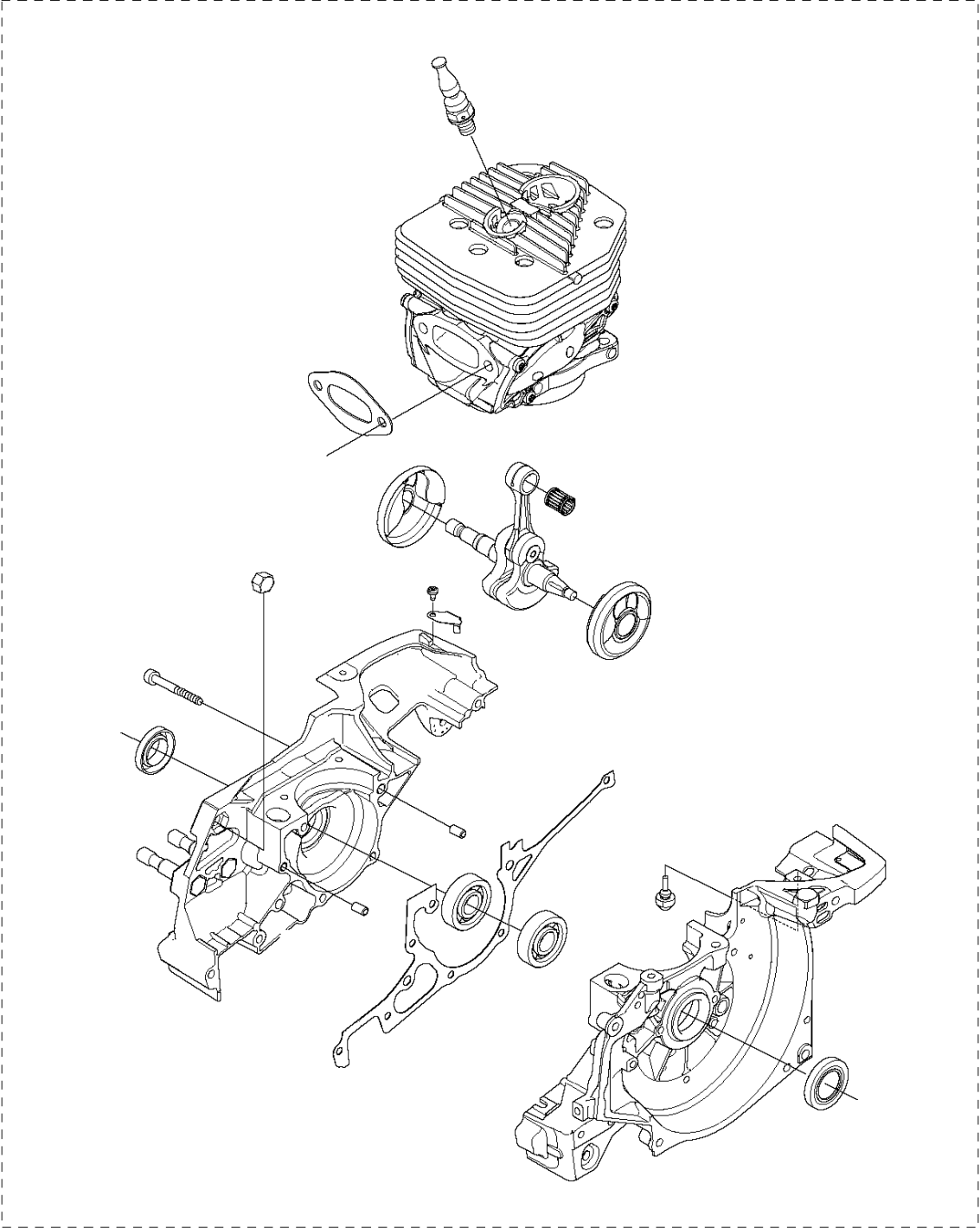
CRANKCASE

K970 III CHAIN

Ref	Part No	Description	Remark	QTY	KIT
1	587 92 78-07	CRANKCASE ASSY	For K970 III chain 2 (Bolt) Incl. 2-10 & 16	1	
1	587 92 78-05	CRANKCASE ASSY	For K970 Chain III	1	
2	503 21 53-49	SCREW ITXSCM		7	1
3	503 26 02-04	SEALING RING		2	1,1
4	582 12 33-01	WEAR PROTECTION		1	1
5	501 27 08-01	GUIDE BUSHING		2	1
6	577 98 89-01	GASKET		1	1,1
7	503 25 00-02	BALL BEARING		2	1
8	522 85 61-01	RUBBER BUSHING		1	1
9	525 88 74-03	SCREW CITXPANT		1	1
10	544 22 98-09	GASKET KIT	For K970 III chain 2(Bolt) Incl. 3 , 6 , 11-12 , 14-15	1	1
10	544 22 98-08	GASKET KIT	For K970 Chain III	1	
11	576 49 94-01	GASKET		1	1,1
12	585 28 09-01	GASKET		1	1,1
13	503 22 21-02	LOCK NUT		1	
16	506 41 39-04	GASKET		1	1,1
15	594 89 01-01	GASKET		1	1,1
14	503 23 04-03	WASHER	For K970 Chain III	1	
17	725 54 53-01	SCREW IHSCM	For K970 Chain III	2	
19	584 95 08-01	BAR BOLT	For K970 Chain III	1	

K970 III Chain

1

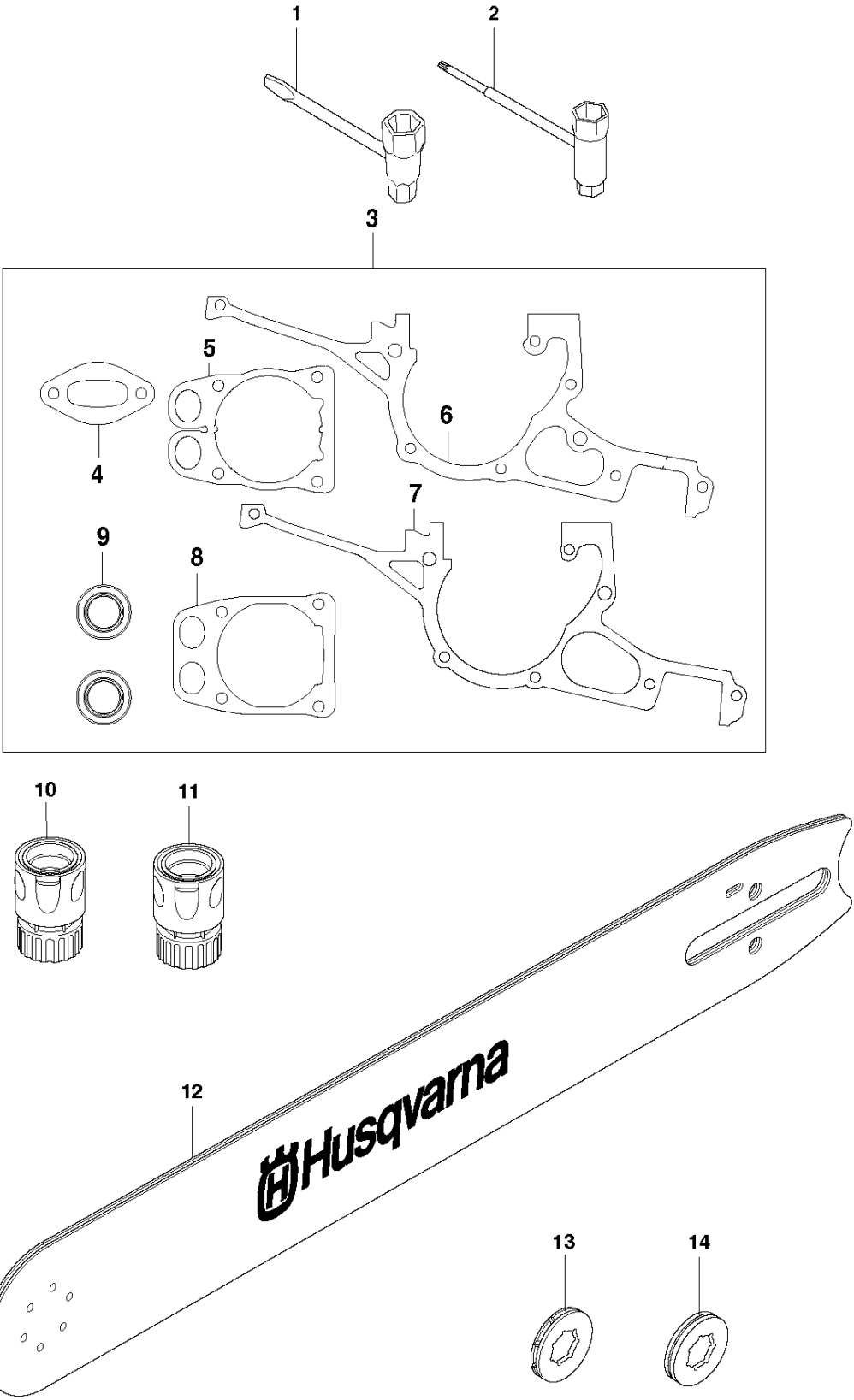


ENGINE

K970 III CHAIN

Ref	Part No	Description	Remark	QTY KIT
1	588 48 75-10	ENGINE	For K970 chain III (2-Bolt)	1
1	588 48 75-05	ENGINE	For K970 Chain III	1

K970 III Chain

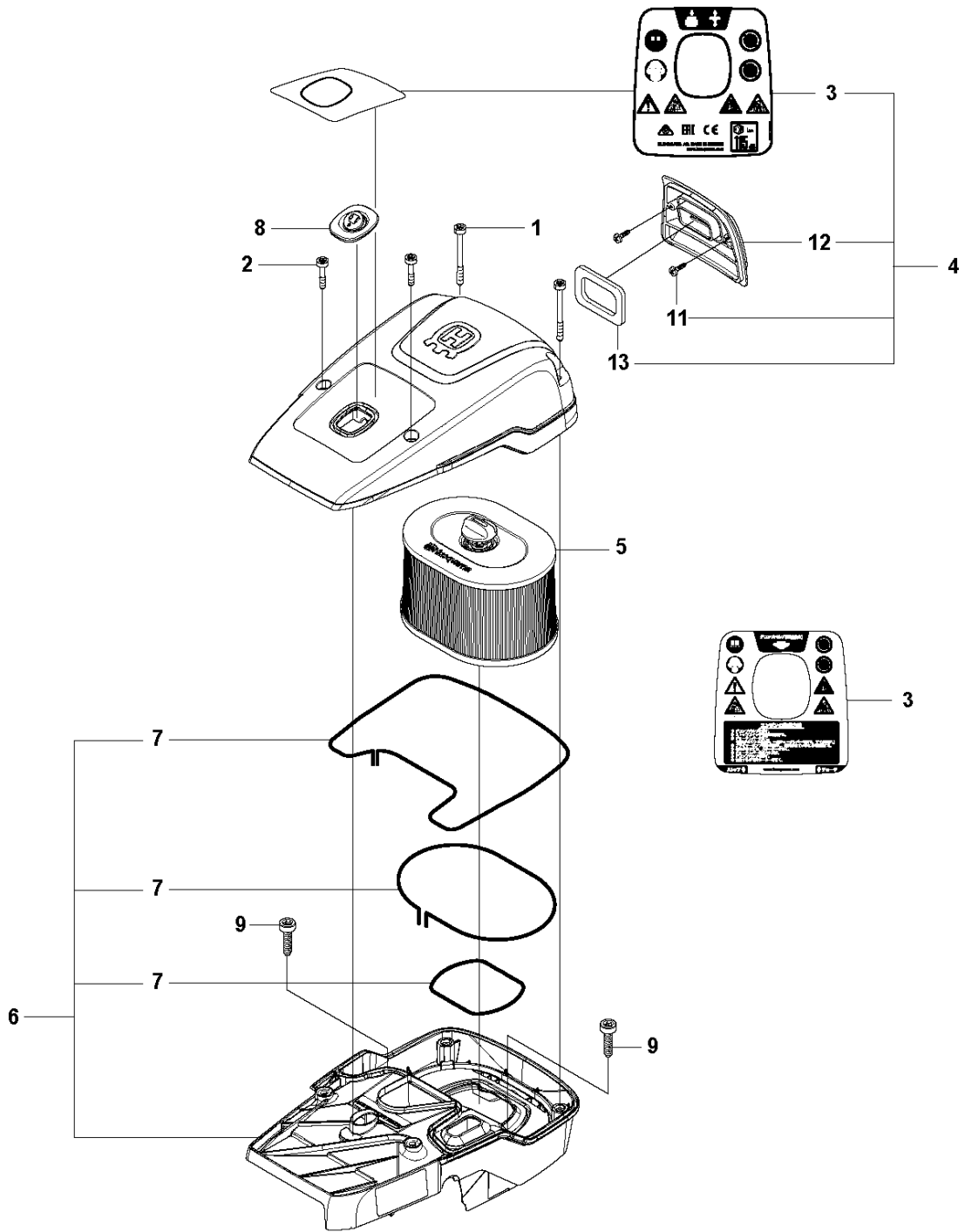


TOOLS

K970 III CHAIN

Ref	Part No	Description	Remark	QTY KIT
1	501 69 17-02	COMBINATION WRENCH		1
2	506 38 26-01	TOOL		1
3	544 22 98-08	GASKET KIT	Incl 3-6, 8-9	1
4	585 28 09-01	GASKET		1
5	594 89 01-01	GASKET		1
6	577 98 89-01	GASKET		1
7	506 41 39-04	GASKET		1
8	576 49 94-01	GASKET		1
9	503 26 02-04	SEALING RING		2
10	503 26 60-03	COUPLER		1
11	503 26 60-04	COUPLER		1
12	506 34 62-02	CHAIN	"For 14"" and 3/8"" only"	1
12	587 78 14-01	CHAIN	"For 12"" and 444"" only"	1
12	587 78 14-02	CHAIN	"For 16"" and 444"" only"	1
13	505 30 36-61	RIM		1
14	588 14 79-01	RIM		1

K970 III Chain

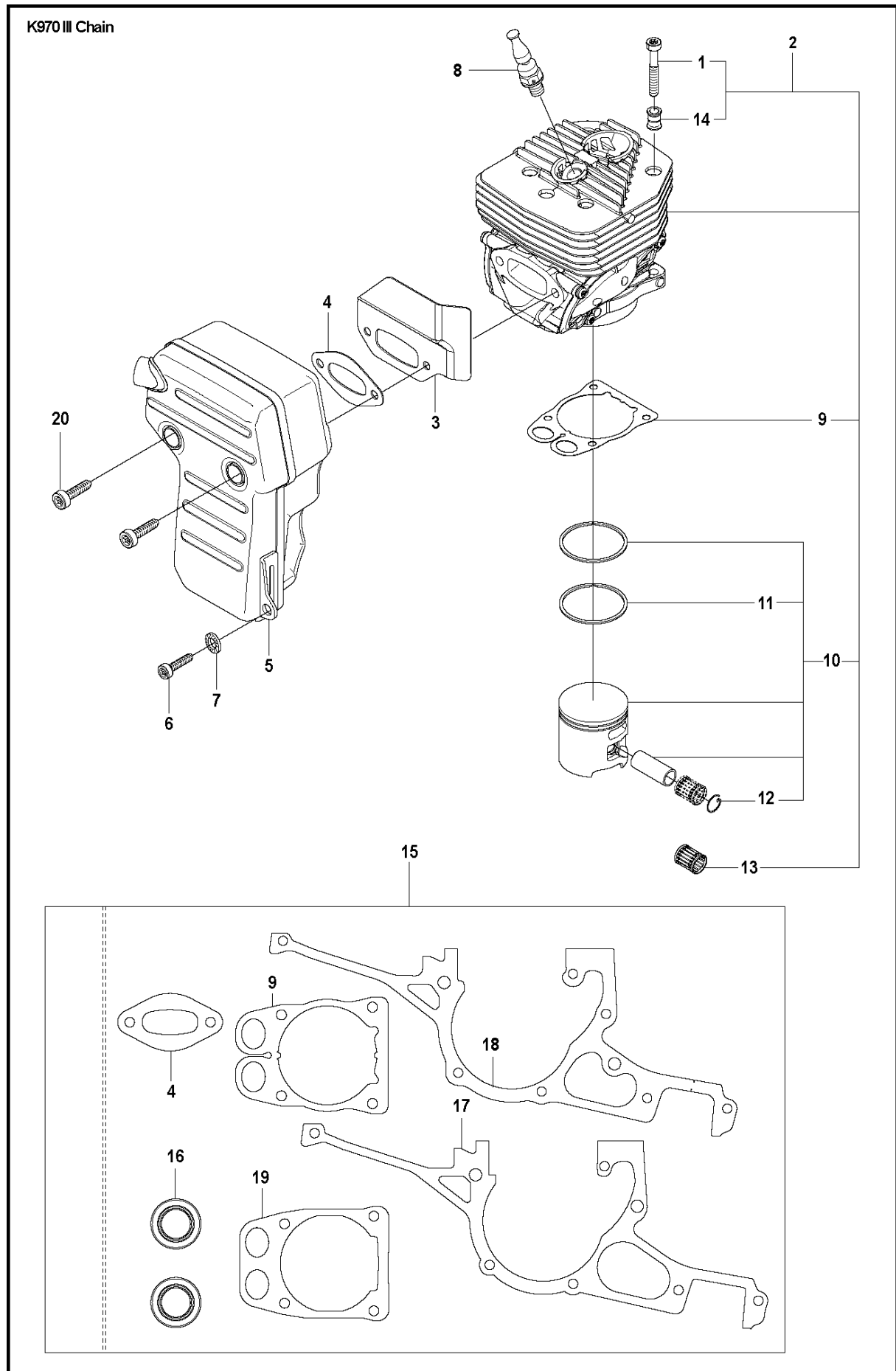


10 — **K970**
CHAIN

AIR FILTER COVER

K970 III CHAIN

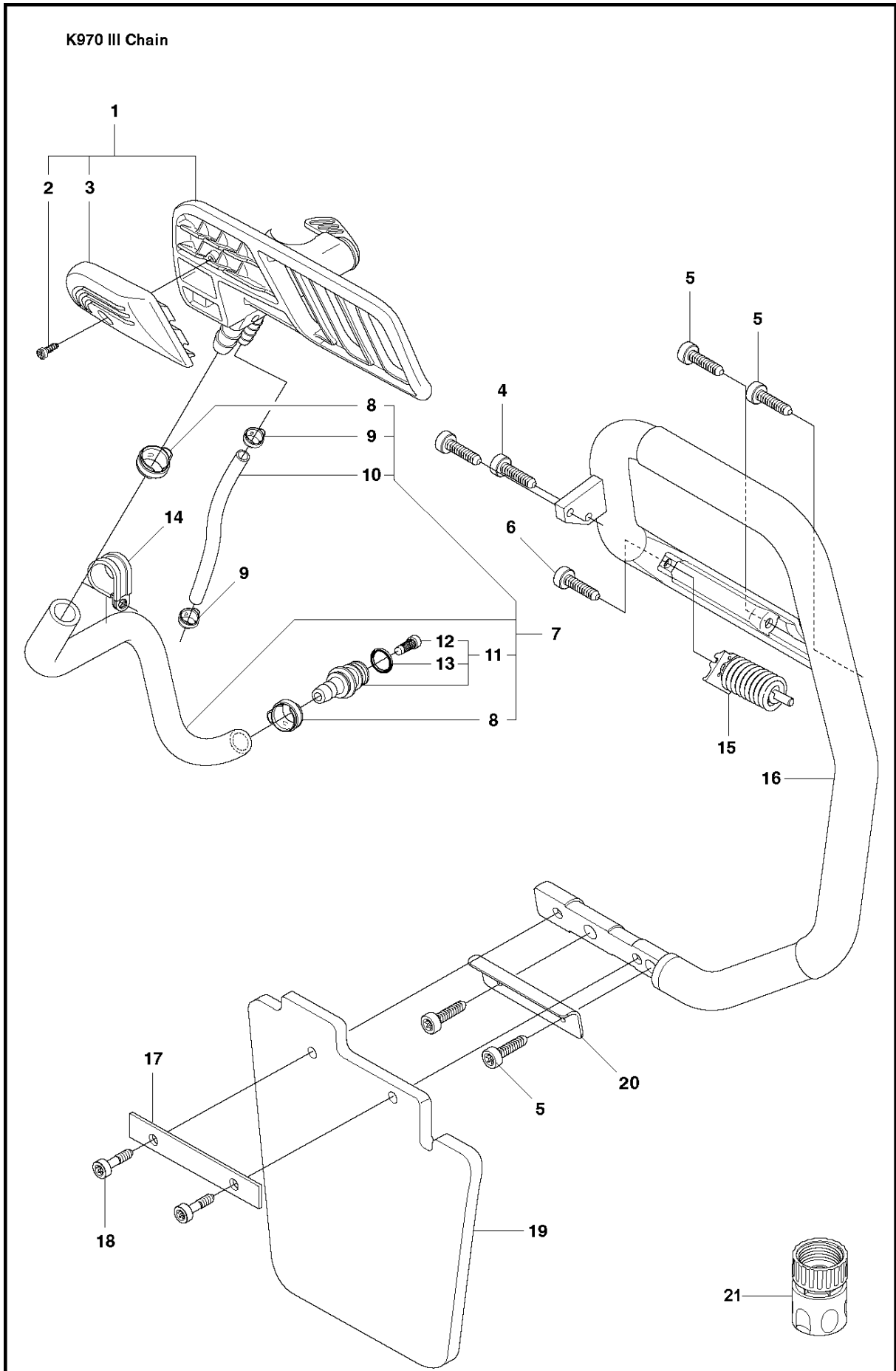
Ref	Part No	Description	Remark	QTY KIT
1	588 48 75-10	ENGINE		2
2	503 21 53-26	SCREW ITXSCM		2
3	584 91 33-06	DECAL	CE	1
3	584 91 33-03	DECAL	Japan Only	1
4	587 00 51-07	FILTER COVER ASSY	For K970 chain III (2-Bolt), K970 chain III	1
5	510 24 41-06	AIR FILTER		1
6	586 56 40-02	CYLINDER COVER ASSY	Incl. 7	1
7	525 61 70-04	SEALING	L=1,2 M. Cut to fit	3
8	585 42 83-01	PLUG		1
9	503 21 53-30	SCREW ITXSCM		2
10	525 57 16-04	DECAL		1
11	729 52 89-71	SCREW CRPANT		2
12	576 43 14-01	COVER		1
13	578 06 53-01	SEALING		1



CYLINDER, PISTON & MUFFLER

K970 III CHAIN

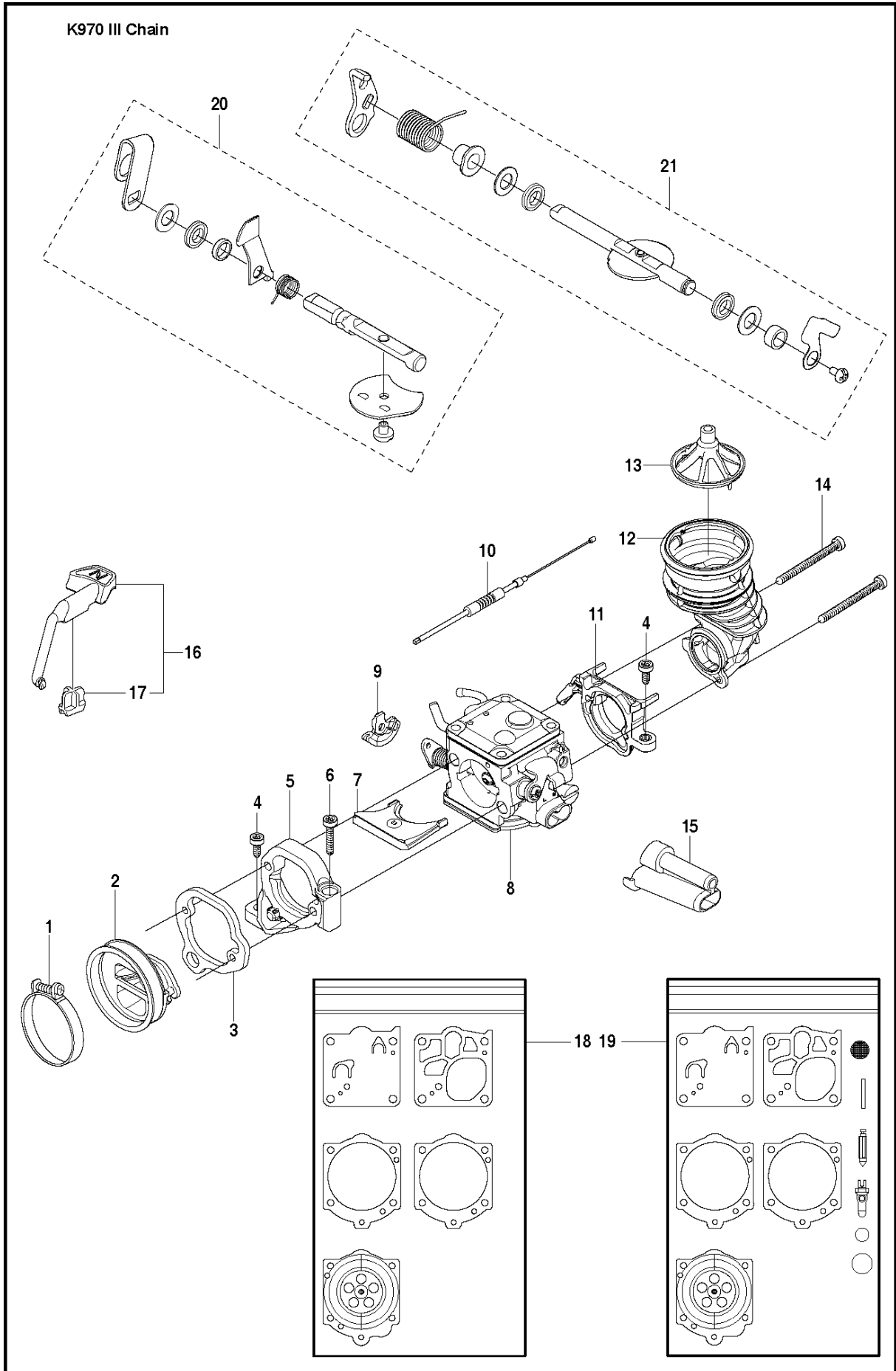
Ref	Part No	Description	Remark	QTY KIT
1	544 21 84-40	SCREW ITXSCM		6
2	586 35 10-04	CYLINDER ASSY	Incl. 1, 9, 10, 13, 14	1
3	577 99 76-02	HEAT DEFLECTOR		1
4	585 28 09-01	GASKET		1
5	587 63 11-01	MUFFLER ASSY		1
6	503 21 53-25	SCREW ITXSCM		1
7	503 23 04-02	WASHER		1
8	584 91 22-01	DECOMPRESSION VALVE		1
9	594 89 01-01	GASKET	Paper gasket	1
10	506 41 32-02	PISTON	Incl. 11, 12	1
11	503 28 90-35	PISTON RING		2
12	737 44 13-00	CIRCLIP		2
13	503 25 61-01	NEEDLE BEARING		1
14	578 11 91-01	SLEEVE		4
15	544 22 98-08	GASKET KIT	Incl. 4, 9, 16-19	1
16	503 26 02-04	SEALING RING		1
17	506 41 39-04	GASKET		1
18	577 98 89-01	GASKET		1
19	576 49 94-01	GASKET	Metal gasket	1
20	544 21 84-01	SCREW ITXSCM		2



HANDLE

K970 III CHAIN

Ref	Part No	Description	Remark	QTY KIT
1	505 02 99-01	HAND GUARD	Incl. 2-3	1
2	503 21 27-10	SCREW CCRPANT		1
3	506 33 24-02	RUBBER BLOCK		1
4	504 90 94-25	SCREW ITXSCT		2
5	503 21 54-20	SCREW ITXSCT		4
6	544 06 12-01	SCREW ITXSCM		1
7	506 32 89-51	HOSE KIT	Incl. 8 - 11	1
8	576 12 97-01	HOSE CLAMP		2
9	506 09 56-05	HOSE CLAMP		2
10	506 35 25-01	HOSE		1
11	506 29 57-02	NIPPLE	Incl. 12, 13	1
12	506 29 88-01	FILTER		1
13	505 10 35-01	O-RING		1
14	502 41 22-02	CLIP	For K970 chain III (2-Bolt)	1
14	502 41 22-01	CLIP	For K970 Chain III	1
15	585 90 56-01	ANTIVIBRATION ELEMENT		1
16	523 03 27-01	HANDLE		1
17	506 33 45-01	BACKING PLATE		1
18	501 98 10-20	SCREW ITXSCM		2
19	506 33 46-01	SPRAY GUARD		1
20	581 32 82-01	PLATE		1
21	503 26 60-03	COUPLER		1
21	503 26 60-04	COUPLER		1

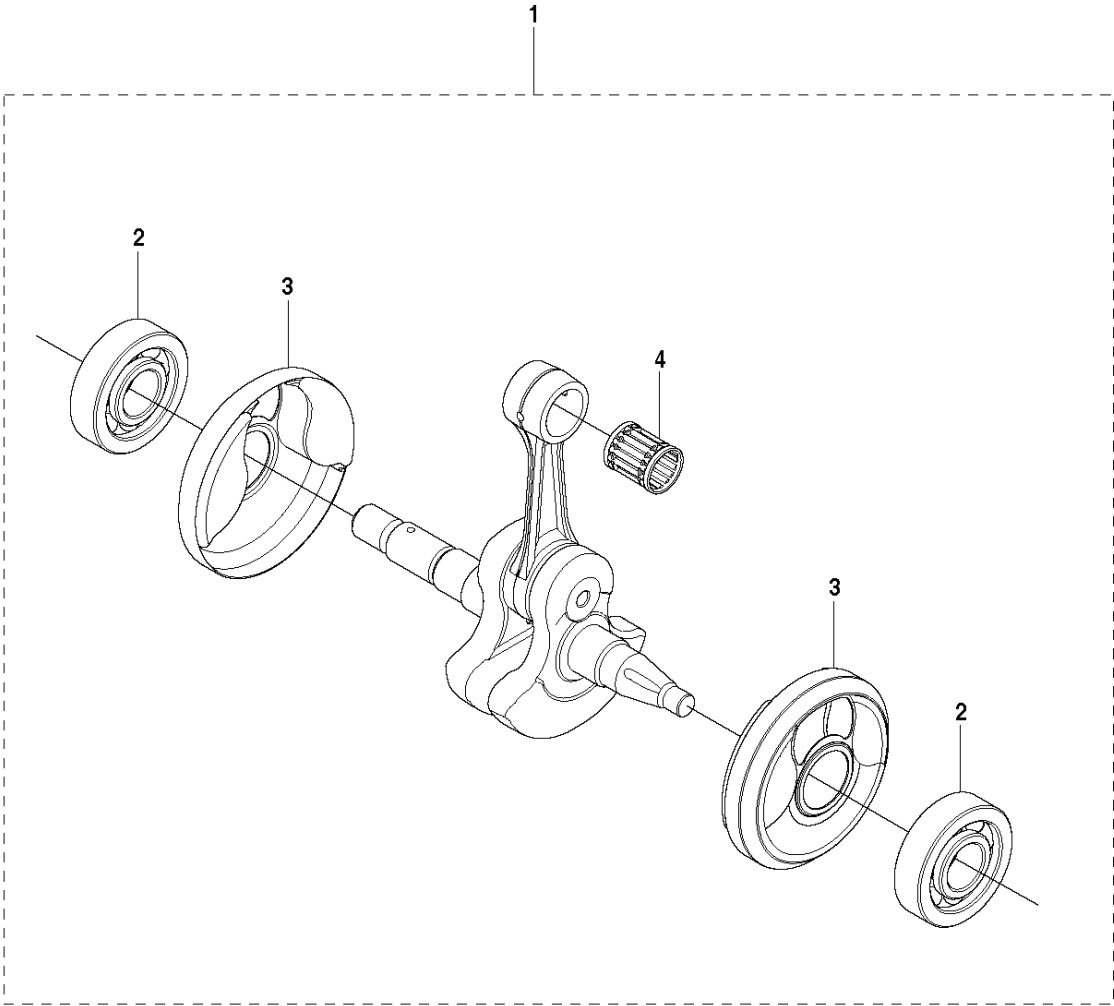


CARBURETOR

K970 III CHAIN

Ref	Part No	Description	Remark	QTY KIT
1	505 28 33-06	HOSE CLAMP		1
2	506 41 41-01	INLET PIPE		1
3	544 15 01-01	FLANGE		1
4	503 21 53-16	SCREW ITXSCM		2
5	544 11 39-01	CONSOLE		1
6	503 21 53-30	SCREW ITXSCM		1
7	506 41 42-01	PLATE		1
8	584 91 30-01	CARBURETTOR	RWJ-7	1
9	505 14 84-01	LEVER		1
10	576 49 04-01	THROTTLE CABLE ASSY		1
11	522 85 62-01	FLANGE		1
12	521 92 67-01	INLET PIPE		1
13	510 24 39-01	FILTER		1
14	501 97 18-01	SCREW ITXSCM		2
15	586 06 21-01	CHISEL GUIDE		1
16	506 23 20-11	CHOKE	Incl. 17	1
17	506 27 25-01	WEAR PROTECTION		1
18	502 44 58-01	GASKET KIT	Walbro RWJ-5	1
19	502 44 59-03	REPAIR KIT	Walbro RWJ-5	1
21	593 77 69-01	THROTTLE SHAFT		1
20	593 77 77-01	CHOKE SHAFT		1

K970 III Chain

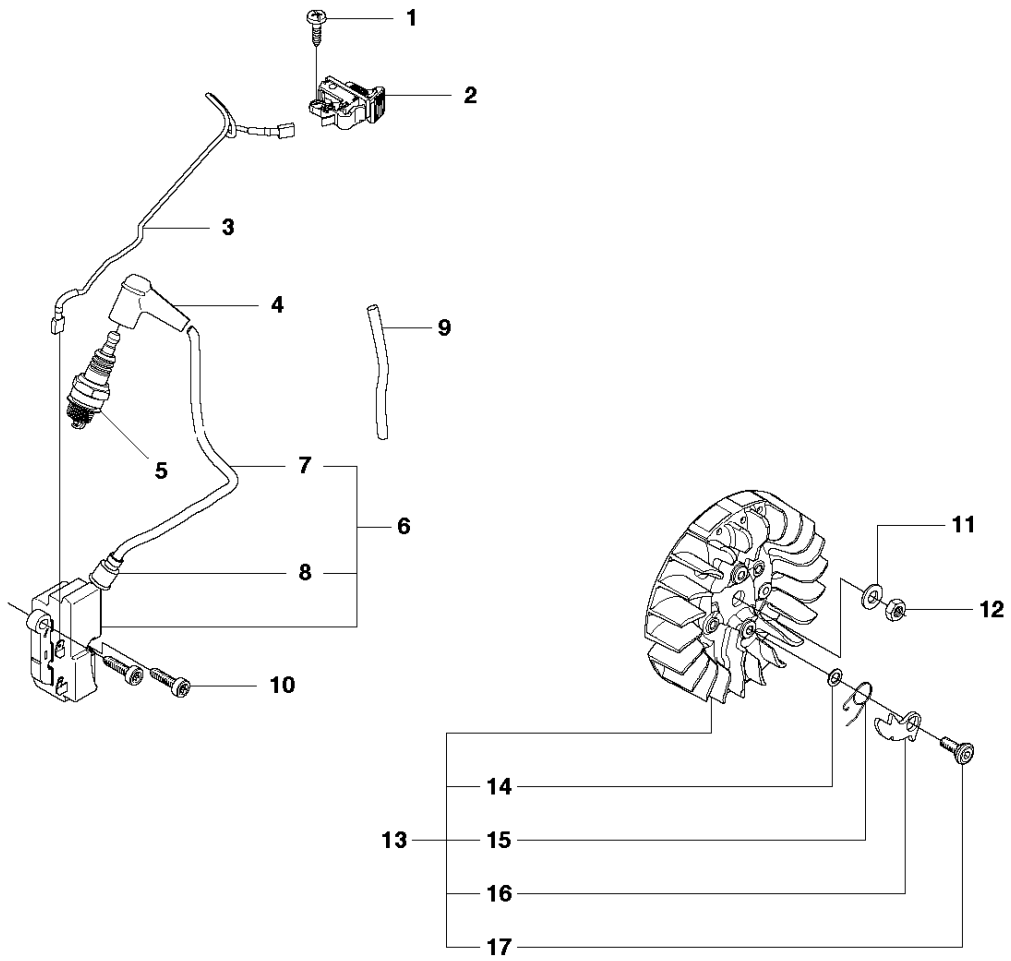


CRANKSHAFT

K970 III CHAIN

Ref	Part No	Description	Remark	QTY KIT
1	544 98 39-02	CRANKSHAFT ASSY	Incl. 2 - 4	1
2	503 25 00-02	BALL BEARING		2
3	506 41 44-01	CUP		2
4	503 25 61-01	NEEDLE BEARING		1

K970 III Chain

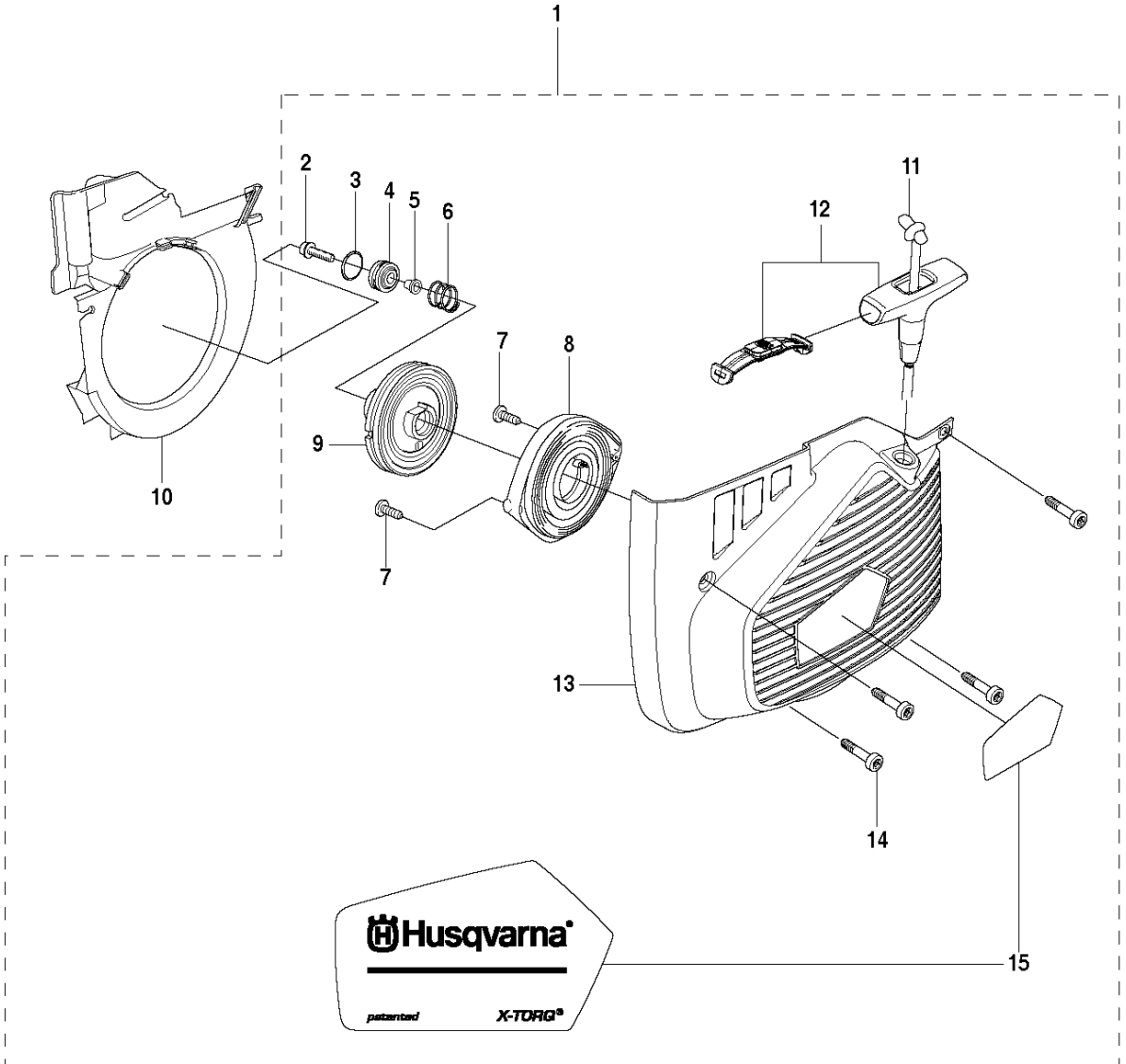


IGNITION SYSTEM

K970 III CHAIN

Ref	Part No	Description	Remark	QTY KIT
1	525 88 74-03	SCREW CITXPANT		1
2	506 31 86-04	STOP SWITCH		1
3	501 83 98-01	CABLE		1
4	590 50 45-01	SPARK PLUG CAP		1
5	503 23 51-11	SPARK PLUG	RCJ 6Y	1
6	594 72 96-04	IGNITION MODULE ASSY	Incl. 7 - 8	1
7	506 38 78-34	IGNITION CABLE		1
8	505 27 75-16	CABLE SLEEVE		1
9	576 85 16-02	PROTECTIVE HOSE		1
10	505 57 41-20	SCREW ITXSCM	For K970 chain III (2-Bolt), K970 chain III	2
11	503 23 01-01	WASHER		1
12	503 22 10-11	HEXAGON NUT		1
13	587 70 21-02	FLYWHEEL ASSY	Incl. 14 - 17	1
14	503 23 00-42	WASHER		2
15	501 63 48-01	SPRING		2
16	501 67 32-03	PAWL		2
17	506 00 69-01	SCREW		2

K970 III Chain



STARTER

K970 III CHAIN

Ref	Part No	Description	Remark	QTY KIT
1	574 50 73-15	STARTER ASSY	Incl. 2 - 9, 11 - 15	1
2	503 21 07-22	SCREW IH SCT		1
3	740 43 13-00	O-RING		1
4	510 00 08-01	SEALING		1
5	506 26 31-01	SPACING SLEEVE		1
6	506 25 30-01	COMPRESSION SPRING		1
7	525 88 74-02	SCREW CITXPANT		2
8	596 29 31-01	RECOIL SPRING		1
9	506 25 81-03	STARTER PULLEY		1
10	544 28 75-02	AIR CONDUCTOR		1
11	506 33 56-15	CORD		1
11	506 33 56-50	STARTER ROPE	50 m Coil	1
12	584 25 79-02	STARTER HANDLE ASSY		1
13	505 34 94-02	STARTER COVER		1
14	501 98 10-20	SCREW ITXSCM		4
15	525 57 11-01	DECAL		1