

K960

Reservdelar

Spare parts

Ersatzteile

Pieces de rechange

Piezas de repuesto

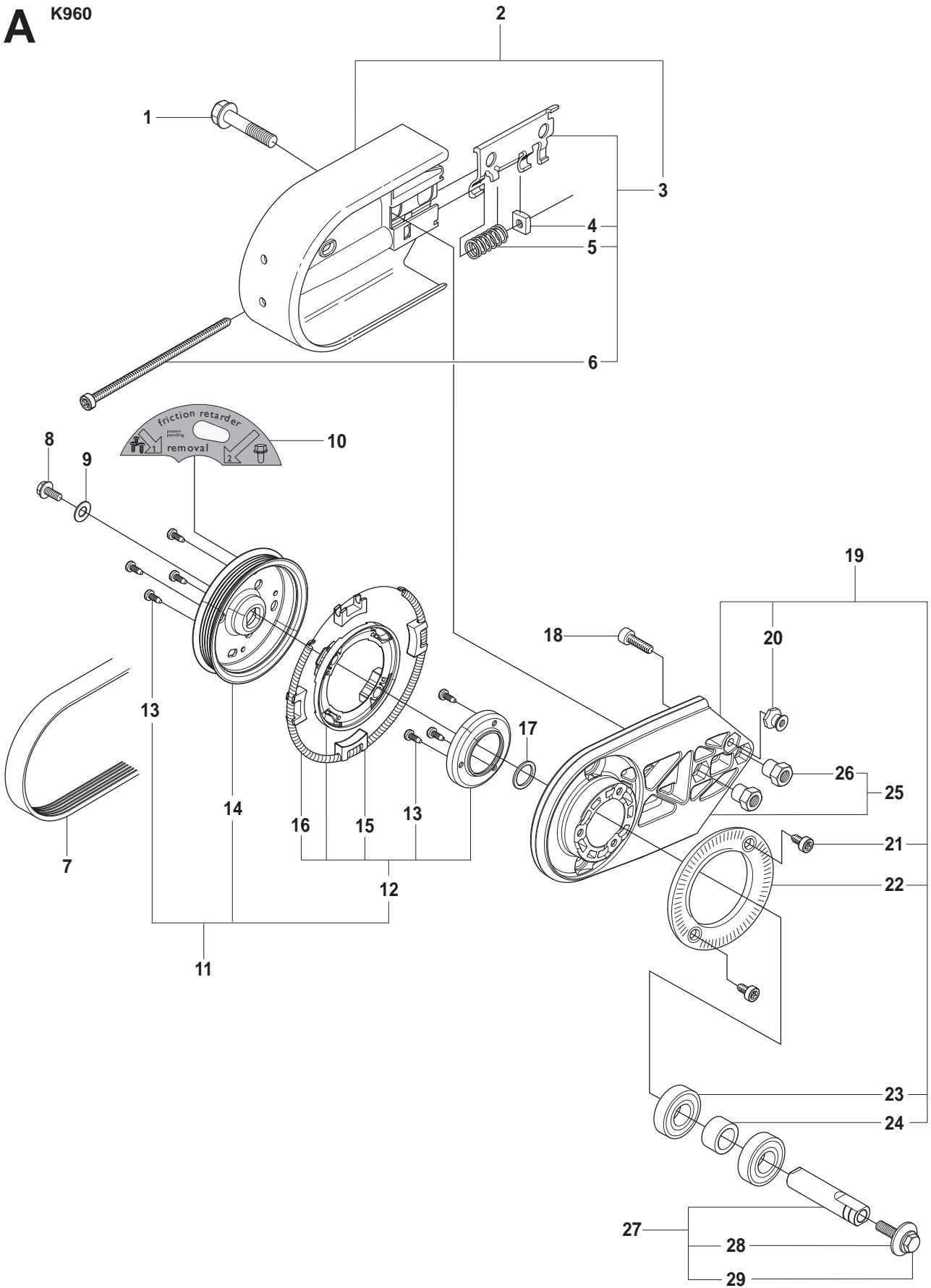
Ricambi

Peças sobresselente

No.	Pos.	Description	No.	Pos.	Description
501 27 08-01	D	GUIDE BUSHING	505 30 24-15	C	NEEDLE BEARING
501 46 87-01	M	SCREW	505 31 67-17	M	SCREW-LEVER PIN
501 48 54-02	J	SPARK PLUG CAP	505 31 67-31	M	PIN-METERING LEVER
501 63 48-01	J	SPRING	505 31 67-34	M	LEVER-METERING
501 66 61-01	M	SCREEN-INLET	505 31 67-48	M	WASHER
501 67 32-03	J	PAWL	506 02 87-01	B	FLANGE WASHER
501 76 83-05	G	FUEL HOSE	506 02 88-30	B	BUSHING
501 81 99-01	J	SCREW	506 07 08-01	A	SPACING SLEEVE
501 83 98-01	J	CABLE	506 07 09-01	B	FLANGE WASHER
501 97 18-01	L	SCREW	506 09 56-06	P	HOSE CLAMP
501 98 10-01	K	SCREW	506 09 58-24	P	HOSE
502 21 58-01	N	L-SPANNER	506 09 75-02	P	HOSE
502 44 58-01	M	GASKET KIT	506 13 95-11	A	WASHER
502 44 59-01	M	REPAIR KIT	506 13 96-01	A	COLLAR SCREW
502 47 04-01	A	LABEL	506 14 32-01	A	TORSION STOP
503 11 71-01	M	BALL-CHOKE FRICTION	506 22 17-02	K	AIR FILTER COVER
503 11 72-01	M	GASKET-PUMP	506 22 18-15	K	FILTER BOTTOM
503 11 75-01	M	SCREW-PUMP COVER	506 22 27-03	G	THROTTLE TRIGGER
503 11 76-01	M	SPRING-METER.LEVER	506 22 28-02	G	THROTTLE LOCKOUT
503 11 77-01	M	SPRING-CHOKE FRICT.	506 22 29-01	G	SPRING THROTTLE TRIG
503 12 79-01	H	STARTER HANDLE	506 22 94-01	K	AIR NOZZLE
503 14 29-02	Q	WASHER	506 23 19-01	K	PREFILTER
503 14 51-01	C	CLUTCH SPRING	506 23 20-11	L	CHOKE
503 20 00-45	A	SCREW	506 23 30-01	G	GROUND SUPPORT
503 20 72-05	A	SCREW	506 23 59-13	H	STARTER
503 21 07-22	H	SCREW	506 23 61-01	G	TANK VENT
503 21 28-06	J	SCREW	506 24 39-02	K	LABEL
503 21 28-10	AH	SCREW	506 25 14-01	H	GROMMET
503 21 53-10	A	SCREW	506 25 30-01	H	COMPRESSION SPRING
503 21 53-12	Q	SCREW	506 25 59-03	G	TANK CAP ASSY
503 21 53-16	GL	SCREW	506 25 81-02	H	STARTER PULLEY
503 21 53-20	J	SCREW	506 25 89-01	H	RECOIL SPRING
503 21 53-21	CH	SCREW	506 26 31-01	H	SPACING SLEEVE
503 21 53-25	E	SCREW	506 26 41-01	G	FUEL FILTER
503 21 53-30	KL	SCREW	506 26 41-11	G	FUEL FILTER
503 21 53-49	DK	SCREW	506 26 63-02	BQ	LINING
503 21 54-20	GP	SCREW	506 26 64-01	B	RATCHET FLANGE
503 21 54-45	G	SCREW	506 26 65-01	B	FLANGE
503 22 10-11	J	NUT	506 26 66-04	A	BELT TENSIONER ASSY
503 22 65-04	Q	NUT	506 26 68-01	A	COMPRESSION SPRING
503 23 00-11	G	WASHER STEEL	506 27 11-01	G	HOSE CLAMP
503 23 00-42	J	WASHER STEEL	506 27 23-03	H	LABEL
503 23 01-01	J	WASHER STEEL	506 27 25-01	L	WEAR PROTECTION
503 23 01-04	A	WASHER STEEL	506 27 27-02	J	FLYWHEEL
503 23 01-16	A	WASHER STEEL	506 28 39-30	K	SEALING
503 23 04-02	E	WASHER	506 28 41 22	B	LABEL
503 23 51-09	J	SPARK PLUG	506 28 41-02	B	LABEL
503 25 00-02	DF	BALL BEARING	506 28 41-04	B	LABEL
503 25 21-01	A	BALL BEARING	506 28 41-12	B	LABEL
503 25 61-01	EF	NEEDLE BEARING	506 28 41-14	B	LABEL
503 26 02-04	DN	SEALING RING	506 28 41-24	B	LABEL
503 26 30-21	P	O-RING	506 28 44-01	A	COLLAR SCREW
503 26 60-02	GP	COUPLER	506 28 73-01	A	NUT
503 28 90-35	E	PISTON RING	506 28 84-01	A	SCREEN PATTERN FLANG
503 45 46-01	G	CONNECTION BEND	506 28 95-01	G	NIPPLE
503 46 85-01	G	ANTIVIB ELEMENT	506 29 21-01	G	GASKET
503 56 00-08	L	HOSE CLAMP	506 29 56-01	P	NIPPLE
503 56 45-01	M	SEAL-THROTTLE SHAFT	506 29 57-02	P	NIPPLE
503 57 41-01	M	PLUG-WELCH	506 29 75-02	Q	STARTER HANDLE
503 57 76-02	G	FUEL HOSE	506 29 76-01	Q	SHOULDER STRAP
503 57 89-01	G	TANK CAP HOLDER	506 29 79-03	G	PROTECTIVE PLATE
503 63 25-01	M	VALVE -INLET NEEDLE	506 29 83-63	A	SHAFT
503 66 56-01	E	DECOMPRESSION VALVE	506 29 88-01	P	FILTER
503 70 15-01	C	CLUTCH ASSY	506 30 23-02	Q	LABEL
504 03 70-01	A	PULLEY	506 30 25-05	Q	BRACKET
504 03 70-03	A	PULLEY	506 31 86-02	J	STOP SWITCH
504 05 47-01	L	THROTTLE ROD	506 32 20-02	Q	LABEL
504 13 52-01	M	VALVE	506 32 22-02	Q	LABEL
504 13 53-01	M	VALVE	506 32 48-01	B	SUPPORT FLANGE
505 27 75-16	J	INSULATING CAP	506 32 87-01	P	Y-TUBE

No.	Pos.	Description	No.	Pos.	Description
506 33 56-15	H	STARTER CORD	544 89 06-03	Q	LABEL
506 33 56-50	H	STARTER CORD	544 89 07-05	K	LABEL
506 33 72-04	H	STARTER COVER	544 89 07-06	K	LABEL
506 34 05-02	B	WHEEL GUARD ASSY	544 89 14-04	K	CYLINDER COVER ASSY
506 34 05-04	B	WHEEL GUARD ASSY	544 89 20-06	G	FUEL TANK
506 34 05-06	B	WHEEL GUARD ASSY	544 89 54-01	D	RUBBER BUSHING
506 34 05-24	Q	WHEEL GUARD ASSY	544 89 60-01	M	LEVER
506 34 05-28	Q	WHEEL GUARD ASSY	544 89 62-01	M	PUMP COVER
506 34 46-02	BQ	HANDLE	544 89 63-01	M	COVER
506 34 70-02	K	AIR FILTER	544 89 64-01	M	SHAFT
506 35 27-01	P	PROTECTIVE SPRING	544 89 67-01	M	SHAFT
506 37 28-03	E	MUFFLER	544 89 71-01	M	GASKET
506 37 81-01	DEN	GASKET MUFFLER	544 89 72-01	M	DIAPHRAGM PUMP
506 37 83-02	C	DRIVING PULLEY ASSY	544 89 74-01	M	DIAPHRAGM ASSY
506 37 96-20	B	BUSHING	544 89 76-01	M	SCREW
506 37 96-22	B	BUSHING	544 89 79-01	M	PLATE
506 37 96-25	B	BUSHING	544 90 84-03	A	BELT
506 38 26-01	N	COMBINATION TOOL	544 90 84-04	A	BELT
506 38 59-04	GP	HOSE	544 93 31-01	C	LABEL
506 38 60-12	P	VALVE ASSY	544 93 56-02	E	CYLINDER ASSY
506 38 78-34	J	IGNITION CABLE	544 95 68-01	M	SPRING
506 38 91-03	G	VIB.INSULATOR	544 98 39-01	F	CRANKSHAFT ASSY
506 39 30-01	C	WASHER	720 12 40-20	G	PARALLEL PIN
506 39 36-02	A	BELT GUARD	725 53 29-55	AB	SCREW
506 39 42-03	A	BEARING HOUSING	725 53 31-55	BQ	SCREW
506 39 42-11	A	BEARING HOUSING	737 44 13-00	E	CIRCLIP
506 40 93-01	A	NUT	740 43 13-00	H	O-RING
506 41 32-02	E	PISTON	740 48 20-03	K	O-RING
506 41 39-01	DN	GASKET			
506 41 40-01	DEN	GASKET			
506 41 41-01	L	INLET PIPE			
506 41 42-01	L	PLATE			
506 41 44-01	F	CUP			
530 03 51-57	M	PLUG			
537 00 20-01	M	SCREW			
537 00 26-01	M	SPACER			
537 21 03-09	G	ANTIVIB ELEMENT			
544 00 31-02	P	WATER HOSE KIT			
544 00 31-05	P	WATER HOSE KIT			
544 02 08-02	G	SPRING RETAINER			
544 04 75-03	J	IGNITION MODULE			
544 06 12-01	G	SCREW			
544 09 65-02	C	BELT GUARD			
544 11 15-01	M	SCREW			
544 11 17-01	L	FLANGE			
544 11 39-01	L	CONSOLE			
544 15 01-01	L	FLANGE			
544 21 47-02	D	CRANKCASE ASSY			
544 21 47-03	R	CRANKCASE CPL.			
544 21 47-04	S	CRANKCASE CPL			
544 21 52-02	E	HEAT DEFLECTOR			
544 21 84-01	E	SCREW			
544 22 98-01	DN	GASKET KIT			
544 23 26-01	L	CHISEL GUIDE			
544 23 82-01	G	BAND			
544 26 61-01	LM	CARBURETTOR			
544 28 75-01	H	COOLING AIR CONDUCTOR			
544 32 49-32	G	FUEL HOSE			
544 33 19-01	L	INLET BEND			
544 37 66-01	C	DRIVING PULLEY ASSY			
544 38 31-02	G	SPRING			
544 44 04-01	A	BRAKE SHOE			
544 44 06-01	A	PULLEY			
544 44 10-01	A	DRAW SPRING			
544 45 68-01	G	HANDLE			
544 87 44-02	K	LABEL			
544 87 44-04	K	LABEL			
544 87 44-05	K	LABEL			
544 87 46-01	K	LABEL			
544 89 06-01	Q	LABEL			

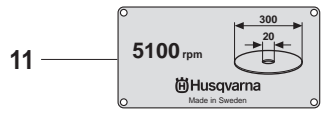
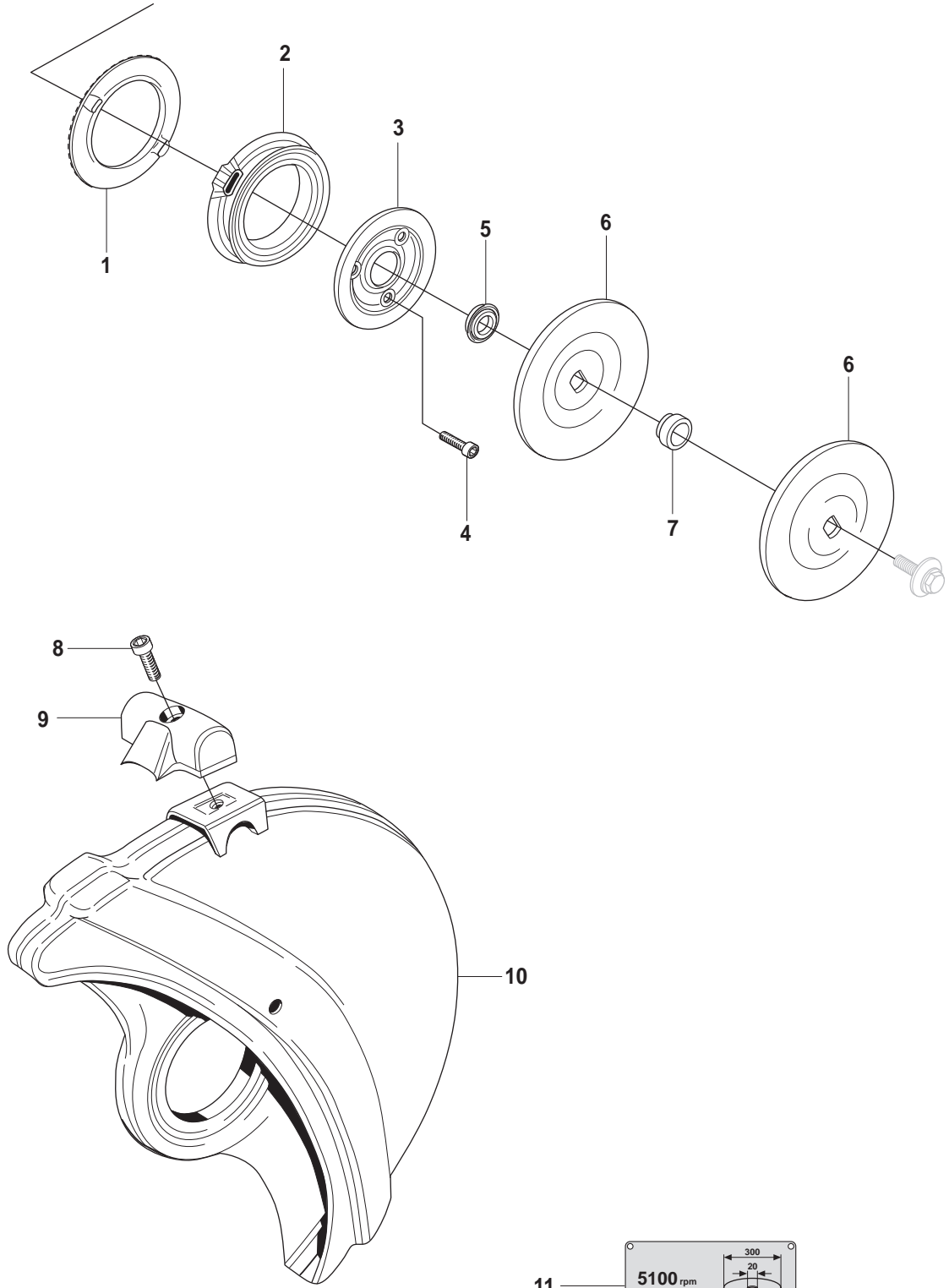
A K960



Page A
K960

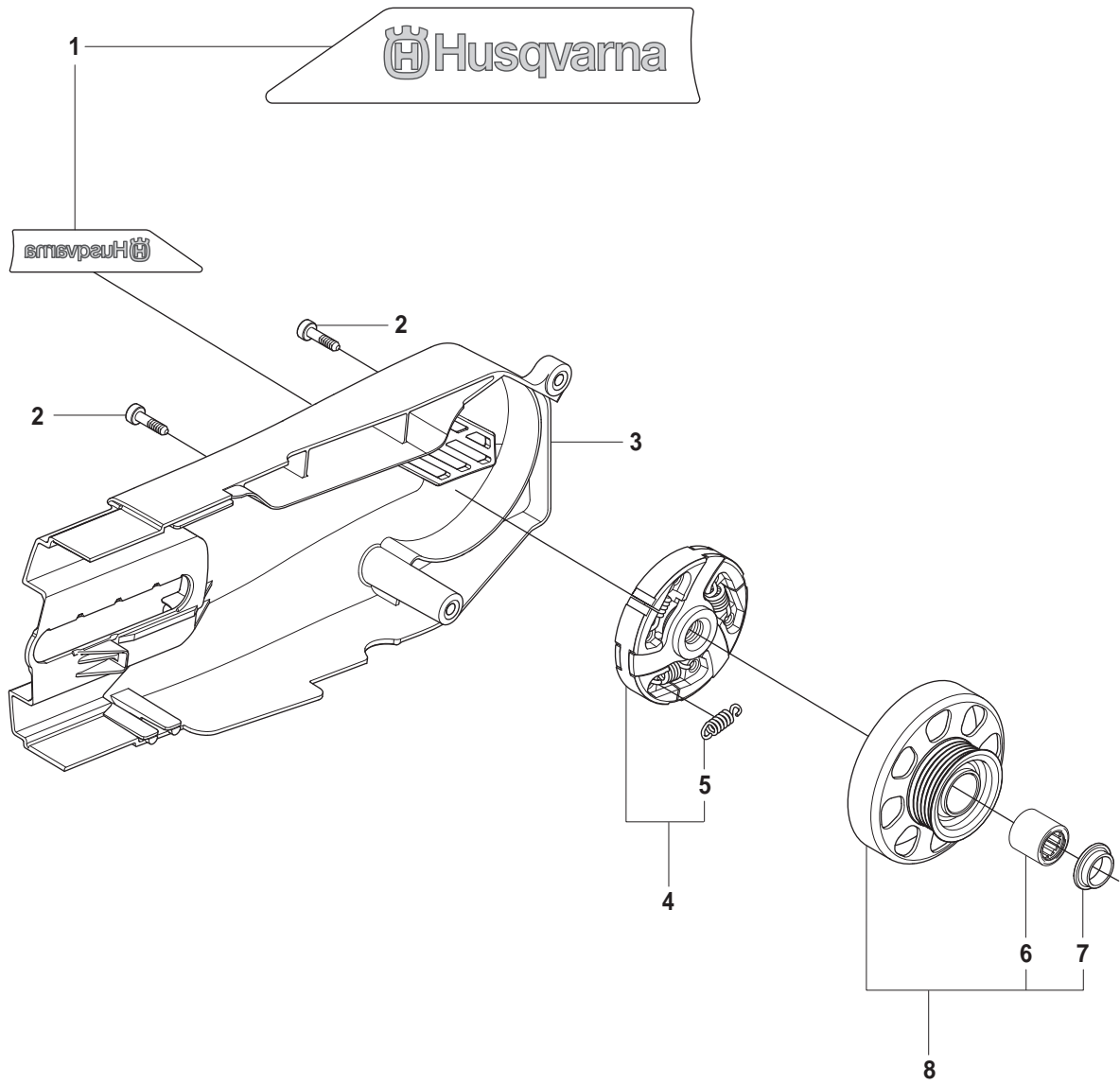
Pos.	Part No.	Description	Quantity	Notes
1	506 28 44-01	COLLAR SCREW	2	
2	506 39 36-02	BELT GUARD	1	Incl. 3
3	506 26 66-04	BELT TENSIONER ASSY	1	Incl. 4, 5, 6
4	506 40 93-01	NUT	1	
5	506 26 68-01	COMPRESSION SPRING	1	
6	503 20 72-05	SCREW	1	
7	544 90 84-03	BELT	1	12", 14"
7	544 90 84-04	BELT	1	16"
8	503 20 00-45	SCREW	1	
9	503 23 01-16	WASHER STEEL	1	
10	502 47 04-01	LABEL	1	
11	504 03 70-01	PULLEY	1	Incl. 12 - 16
12	504 03 70-03	PULLEY	1	Incl. 13, 15, 16
13	503 21 28-10	SCREW	7	
14	544 44 06-01	PULLEY	1	
15	544 44 04-01	BRAKE SHOE	4	
16	544 44 10-01	DRAW SPRING	1	
17	503 23 01-04	WASHER STEEL	1	
18	725 53 29-55	SCREW	1	
19	506 39 42-03	BEARING HOUSING	1	Incl. 20 - 24
20	506 14 32-01	TORSION STOP	1	
21	503 21 53-10	SCREW	2	
22	506 28 84-01	SCREEN PATTERN FLANG	1	
23	503 25 21-01	BALL BEARING	2	
24	506 07 08-01	SPACING SLEEVE	1	
25	506 39 42-11	BEARING HOUSING	1	Incl. 26
26	506 28 73-01	NUT	2	
27	506 29 83-63	SHAFT	1	Incl. 28, 29
28	506 13 95-11	WASHER	1	
29	506 13 96-01	COLLAR SCREW	1	

B K960



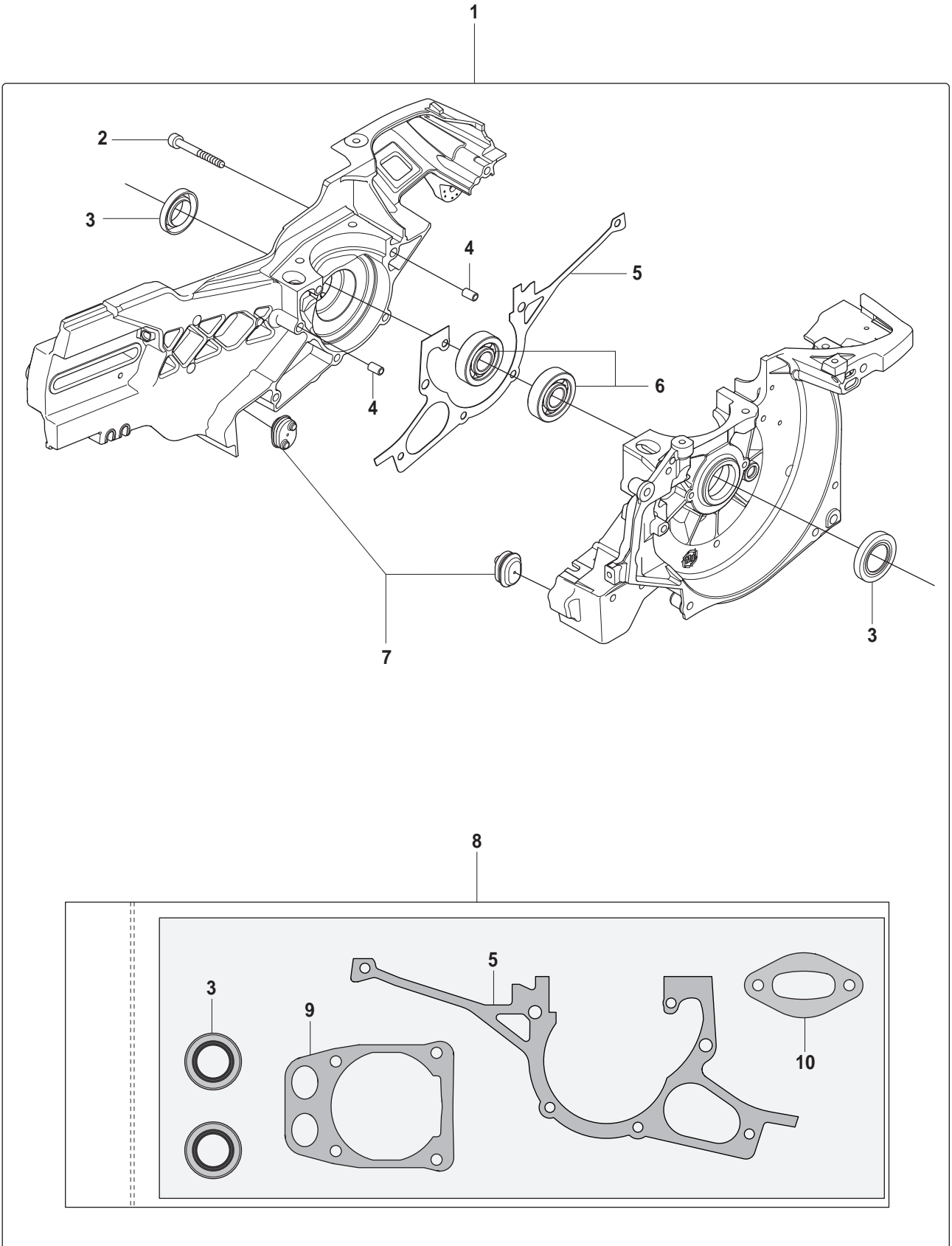
Page B
K960

Pos.	Part No.	Description	Quantity	Notes
1	506 26 64-01	RATCHET FLANGE	1	
2	506 26 63-02	LINING	1	
3	506 26 65-01	FLANGE	1	
4	725 53 29-55	SCREW	3	
5	506 32 48-01	SUPPORT FLANGE	3	
6	506 02 87-01	FLANGE WASHER	1	Diam 105
6	506 07 09-01	FLANGE WASHER	1	Diam 116
7	506 37 96-20	BUSHING	1	Diam 20
7	506 37 96-22	BUSHING	1	Diam 22,2
7	506 37 96-25	BUSHING	1	Diam 25
7	506 02 88-30	BUSHING	1	Diam 30,5
8	725 53 31-55	SCREW	1	
9	506 34 46-02	HANDLE	1	
10	506 34 05-02	WHEEL GUARD ASSY	1	12". Incl. 2, 9, 10
10	506 34 05-04	WHEEL GUARD ASSY	1	14". Incl. 2, 9, 10
10	506 34 05-06	WHEEL GUARD ASSY	1	16". Incl. 2, 9, 10
11	506 28 41-04	LABEL	1	12". Diam 1"
11	506 28 41-02	LABEL	1	12". Diam 20 mm
11	506 28 41-14	LABEL	1	14". Diam 1"
11	506 28 41-12	LABEL	1	14". Diam 20 mm
11	506 28 41-24	LABEL	1	16". Diam 1"
11	506 28 41 22	LABEL	1	16". Diam 20 mm



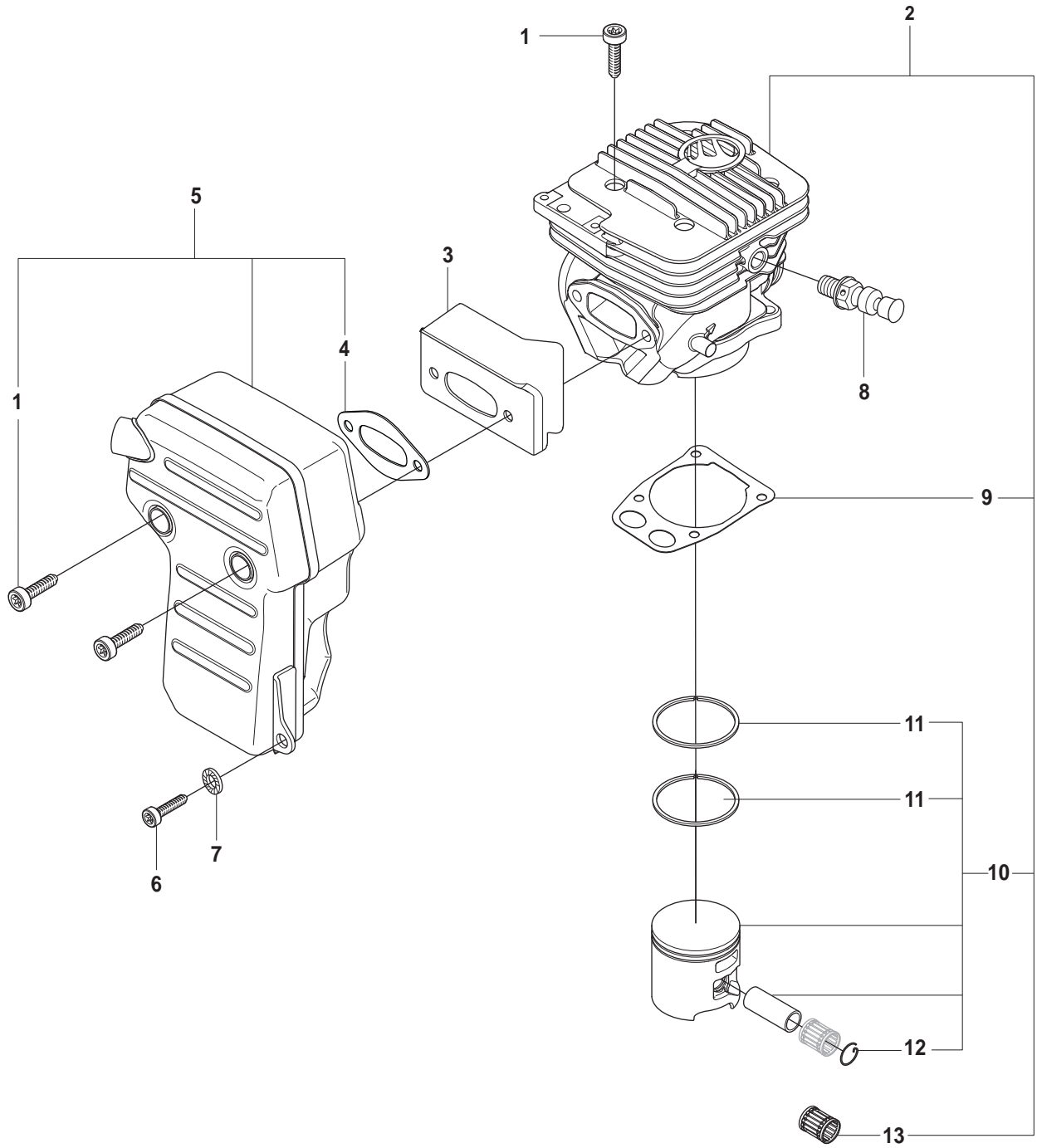
Page C
K960

Pos.	Part No.	Description	Quantity	Notes
1	544 93 31-01	LABEL	1	
2	503 21 53-21	SCREW	2	
3	544 09 65-02	BELT GUARD	1	
4	503 70 15-01	CLUTCH ASSY	1	Incl. 5
5	503 14 51-01	CLUTCH SPRING	3	
6	505 30 24-15	NEEDLE BEARING	1	
7	506 39 30-01	WASHER	1	
8	506 37 83-02	DRIVING PULLEY ASSY	1	12", 14". Incl. 6, 7
8	544 37 66-01	DRIVING PULLEY ASSY	1	16". Incl. 6, 7



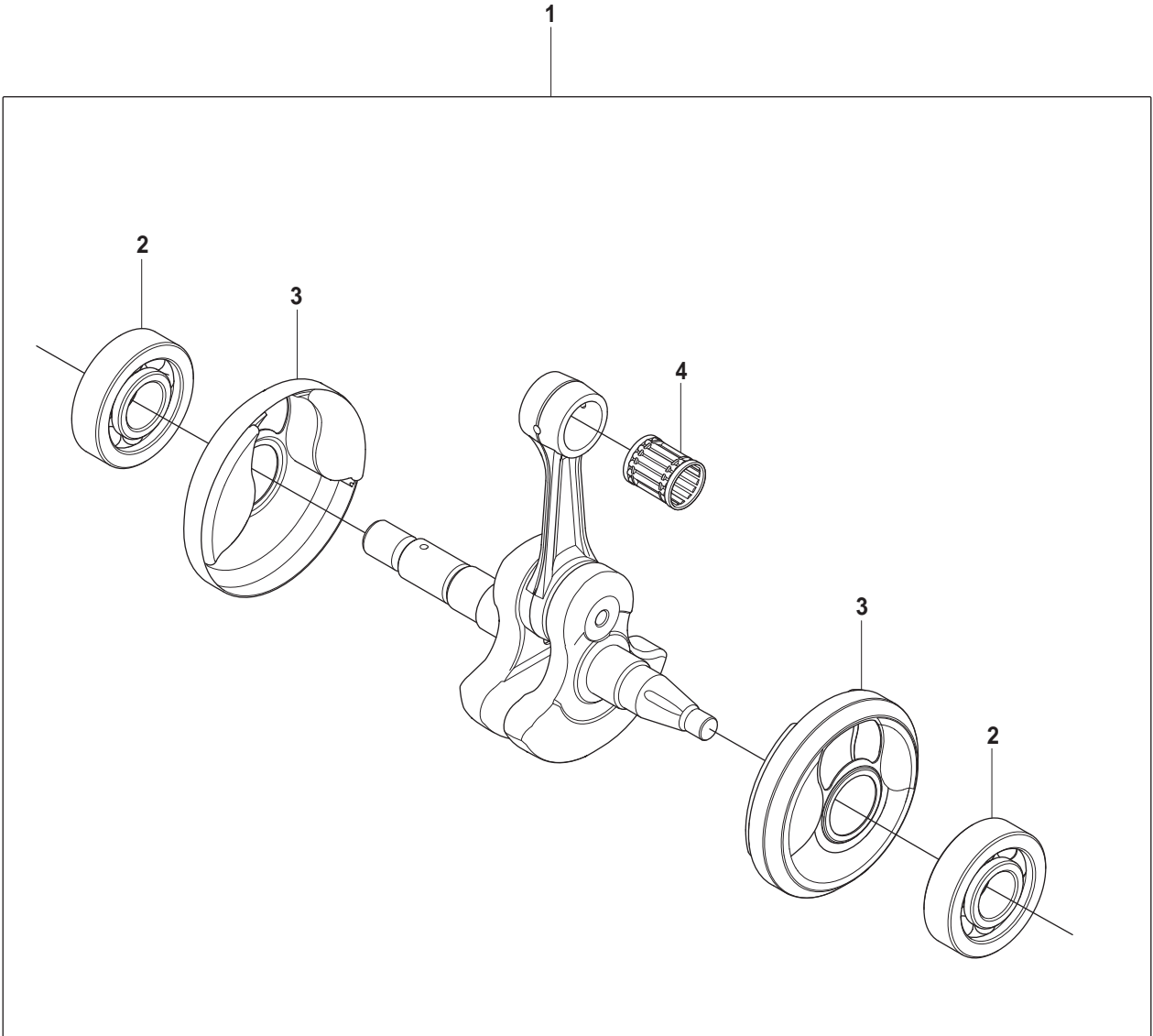
Page D
K960

Pos.	Part No.	Description	Quantity	Notes
1	544 21 47-02	CRANKCASE ASSY	1	Incl. 2 - 8
2	503 21 53-49	SCREW	7	
3	503 26 02-04	SEALING RING	2	
4	501 27 08-01	GUIDE BUSHING	2	
5	506 41 39-01	GASKET	1	
6	503 25 00-02	BALL BEARING	2	
7	544 89 54-01	RUBBER BUSHING	2	
8	544 22 98-01	GASKET KIT	1	Incl. 3, 5, 9, 10
9	506 41 40-01	GASKET	1	
10	506 37 81-01	GASKET MUFFLER	1	



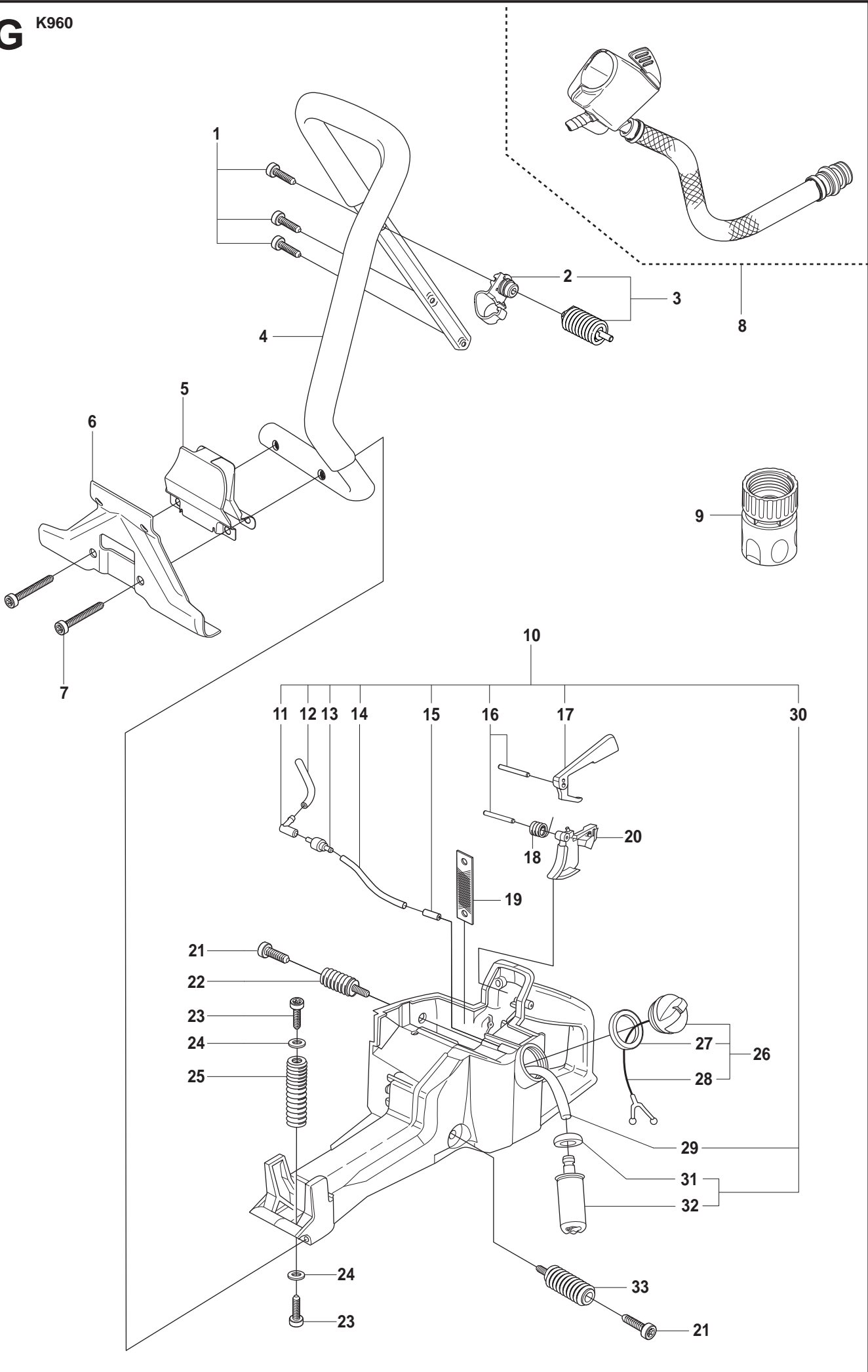
Page E
K960

Pos.	Part No.	Description	Quantity	Notes
1	544 21 84-01	SCREW	6	
2	544 93 56-02	CYLINDER ASSY	1	Incl. 9, 10, 13
3	544 21 52-02	HEAT DEFLECTOR	1	
4	506 37 81-01	GASKET MUFFLER	1	
5	506 37 28-03	MUFFLER	1	Incl. 1, 4
6	503 21 53-25	SCREW	1	
7	503 23 04-02	WASHER	1	
8	503 66 56-01	DECOMPRESSION VALVE	1	
9	506 41 40-01	GASKET	1	
10	506 41 32-02	PISTON	1	Incl. 11, 12
11	503 28 90-35	PISTON RING	2	
12	737 44 13-00	CIRCLIP	2	
13	503 25 61-01	NEEDLE BEARING	1	



Page F
K960

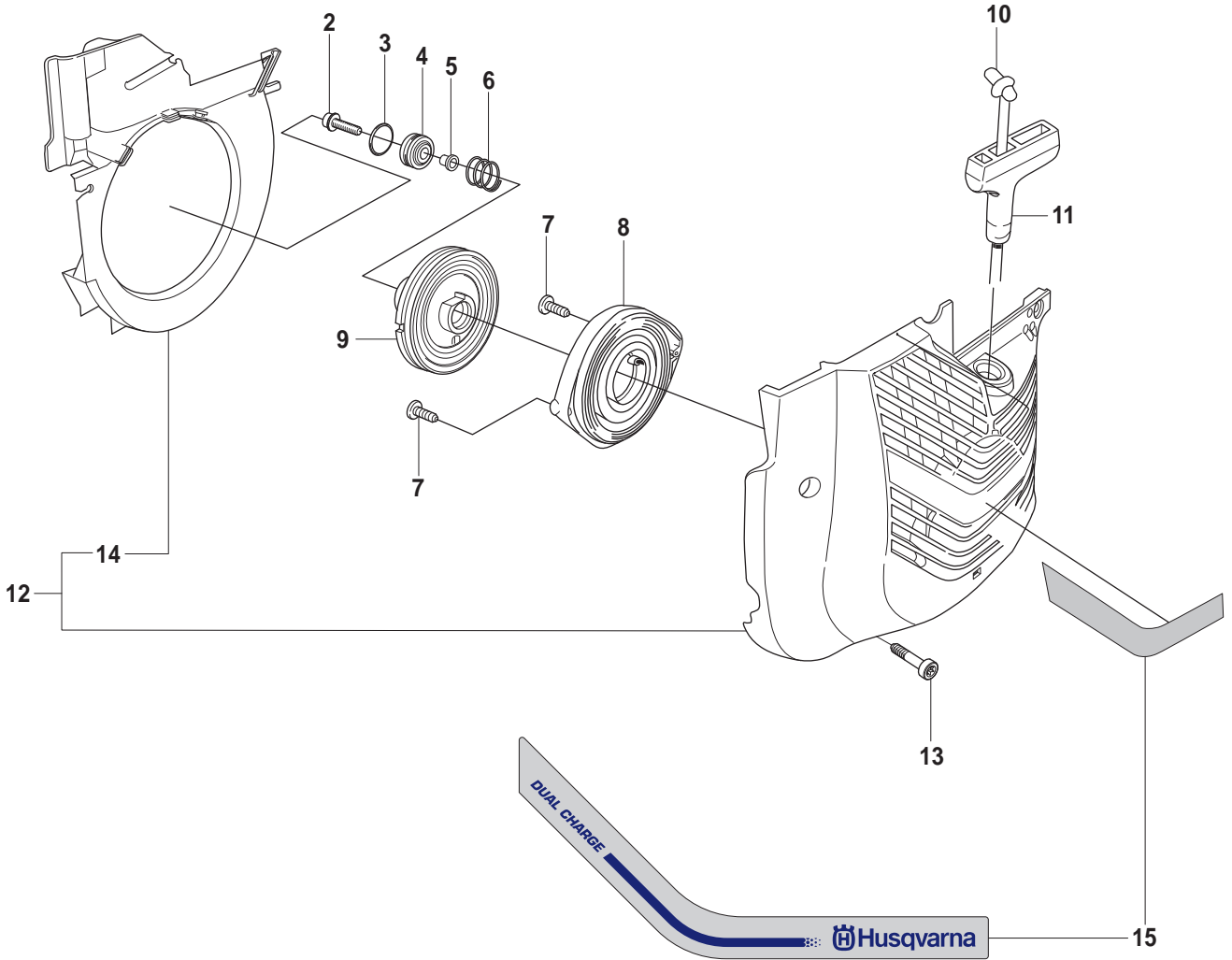
Pos.	Part No.	Description	Quantity	Notes
1	544 98 39-01	CRANKSHAFT ASSY	1	Incl. 2 - 4
2	503 25 00-02	BALL BEARING	2	
3	506 41 44-01	CUP	2	
4	503 25 61-01	NEEDLE BEARING	1	



Page G
K960

Pos.	Part No.	Description	Quantity	Notes
1	503 21 54-20	SCREW	3	
2	544 02 08-02	SPRING RETAINER	1	
3	506 38 91-03	VIB.INSULATOR	1	Incl. 2
4	544 45 68-01	HANDLE	1	
5	506 29 79-03	PROTECTIVE PLATE	1	
6	506 23 30-01	GROUND SUPPORT	1	
7	503 21 54-45	SCREW	2	
8	506 38 59-04	HOSE	1	
9	503 26 60-02	COUPLER	1	
10	544 89 20-06	FUEL TANK	1	Incl. 11 - 17, 30
11	503 45 46-01	CONNECTION BEND	1	
12	501 76 83-05	FUEL HOSE	1	
13	506 23 61-01	TANK VENT	1	
14	544 32 49-32	FUEL HOSE	1	
15	506 28 95-01	NIPPLE	1	
16	720 12 40-20	PARALLEL PIN	2	
17	506 22 28-02	THROTTLE LOCKOUT	1	
18	506 22 29-01	SPRING THROTTLE TRIG	1	
19	544 23 82-01	BAND	1	
20	506 22 27-03	THROTTLE TRIGGER	1	
21	544 06 12-01	SCREW	1	
22	537 21 03-09	ANTIVIB ELEMENT	1	
23	503 21 53-16	SCREW	2	
24	503 23 00-11	WASHER STEEL	2	
25	503 46 85-01	ANTIVIB ELEMENT	1	
26	506 25 59-03	TANK CAP ASSY	1	Incl. 27, 28
27	506 29 21-01	GASKET	1	
28	503 57 89-01	TANK CAP HOLDER	1	
29	503 57 76-02	FUEL HOSE	1	
30	506 26 41-11	FUEL FILTER	1	Incl. 31, 32
31	506 27 11-01	HOSE CLAMP	1	
32	506 26 41-01	FUEL FILTER	1	
33	544 38 31-02	SPRING	1	

1

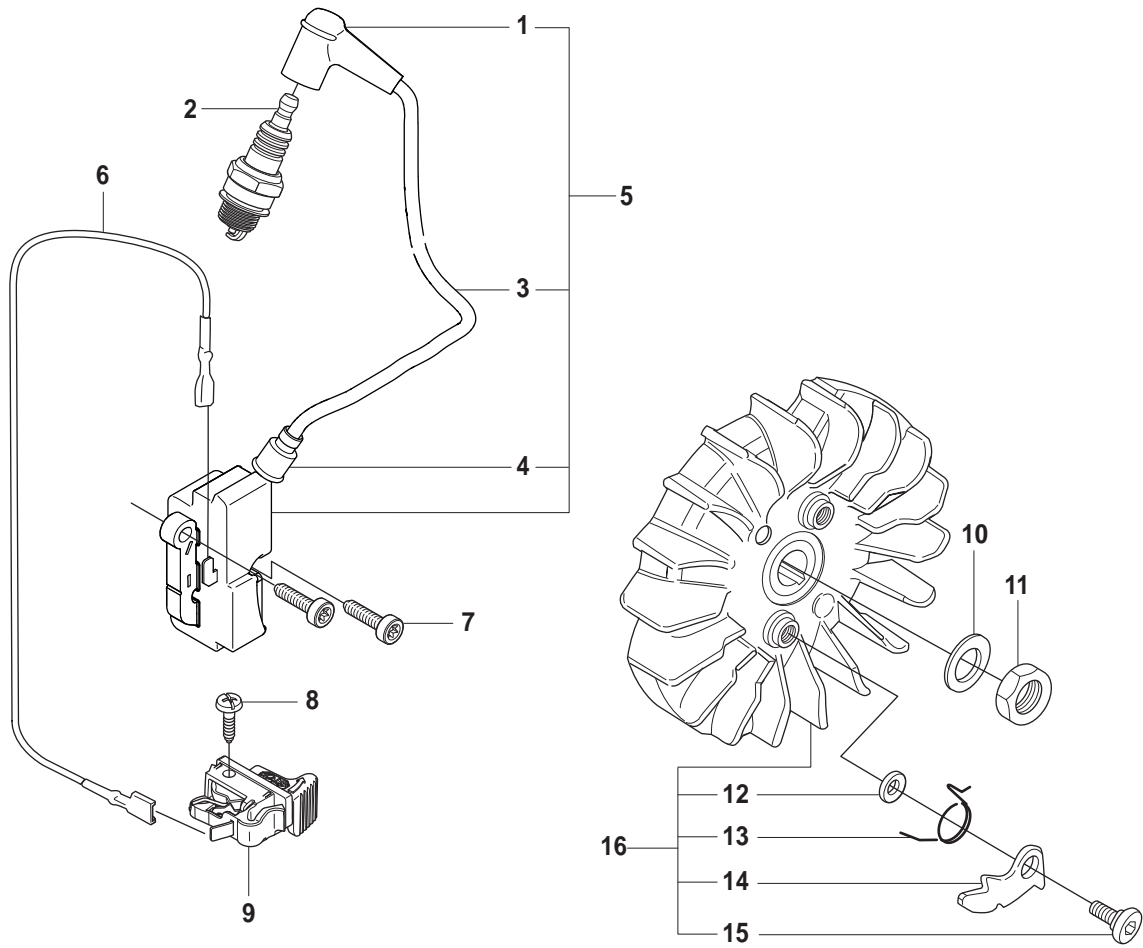


Page H
K960

Pos.	Part No.	Description	Quantity	Notes
1	506 23 59-13	STARTER	1	Incl. 2 - 15
2	503 21 07-22	SCREW	1	
3	740 43 13-00	O-RING	1	
4	506 25 14-01	GROMMET	1	
5	506 26 31-01	SPACING SLEEVE	1	
6	506 25 30-01	COMPRESSION SPRING	1	
7	503 21 28-10	SCREW	2	
8	506 25 89-01	RECOIL SPRING	1	
9	506 25 81-02	STARTER PULLEY	1	
10	506 33 56-15	STARTER CORD	1	
10	506 33 56-50	STARTER CORD	1	50 m Coil
11	503 12 79-01	STARTER HANDLE	1	
12	506 33 72-04	STARTER COVER	1	Incl. 14
13	503 21 53-21	SCREW	4	
14	544 28 75-01	COOLING AIR CONDUCTOR	1	
15	506 27 23-03	LABEL	1	

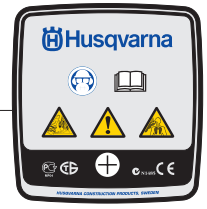
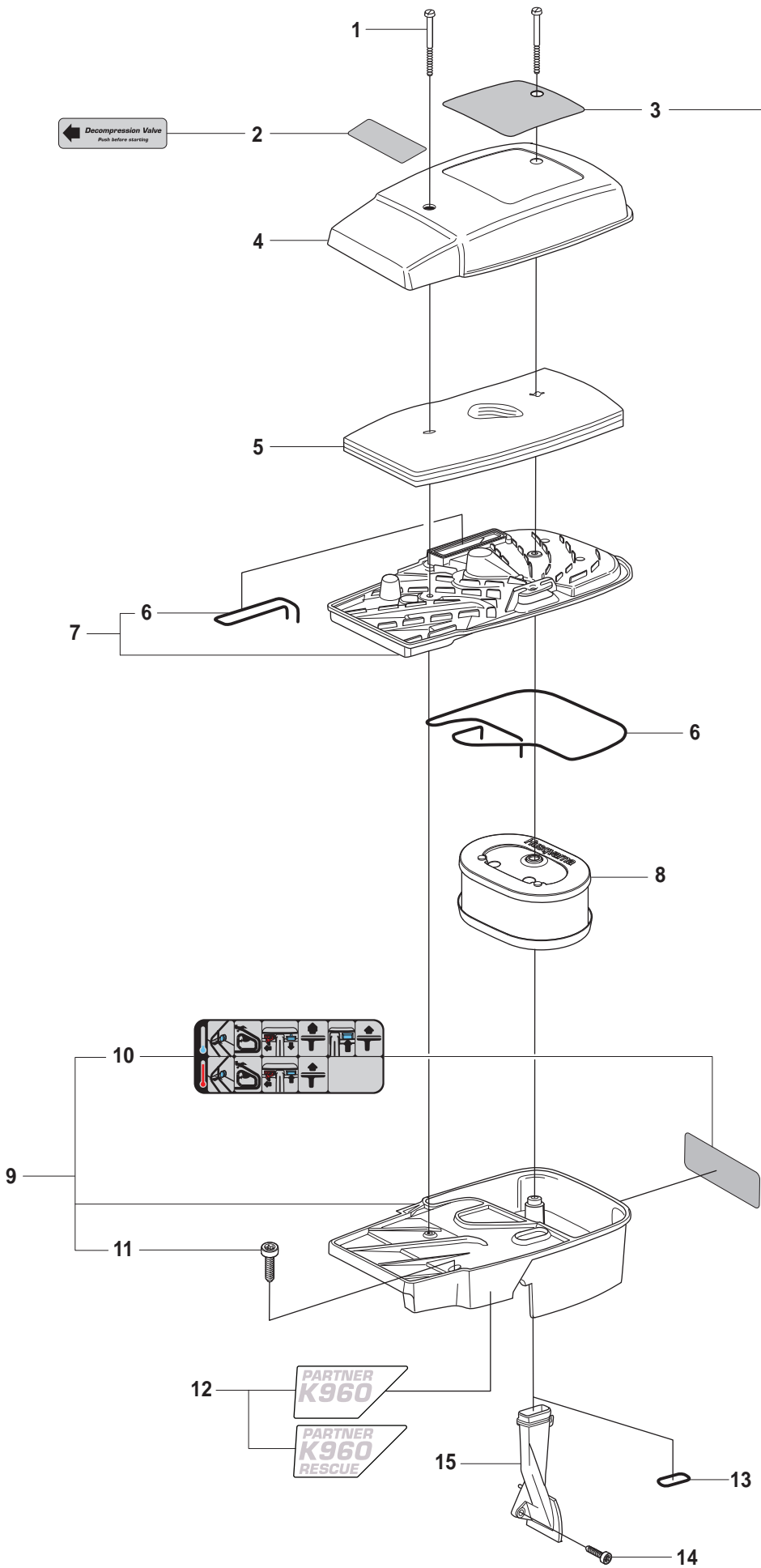
J

K960



Page J
K960

Pos.	Part No.	Description	Quantity	Notes
1	501 48 54-02	SPARK PLUG CAP	1	
2	503 23 51-09	SPARK PLUG	1	RCJ 6Y
3	506 38 78-34	IGNITION CABLE	1	
4	505 27 75-16	INSULATING CAP	1	
5	544 04 75-03	IGNITION MODULE	1	Incl. 1, 3, 4
6	501 83 98-01	CABLE	1	
7	503 21 53-20	SCREW	2	
8	503 21 28-06	SCREW	1	
9	506 31 86-02	STOP SWITCH	1	
10	503 23 01-01	WASHER STEEL	1	
11	503 22 10-11	NUT	1	
12	503 23 00-42	WASHER STEEL	2	
13	501 63 48-01	SPRING	2	
14	501 67 32-03	PAWL	2	
15	501 81 99-01	SCREW	2	
16	506 27 27-02	FLYWHEEL	1	Incl. 12 - 15

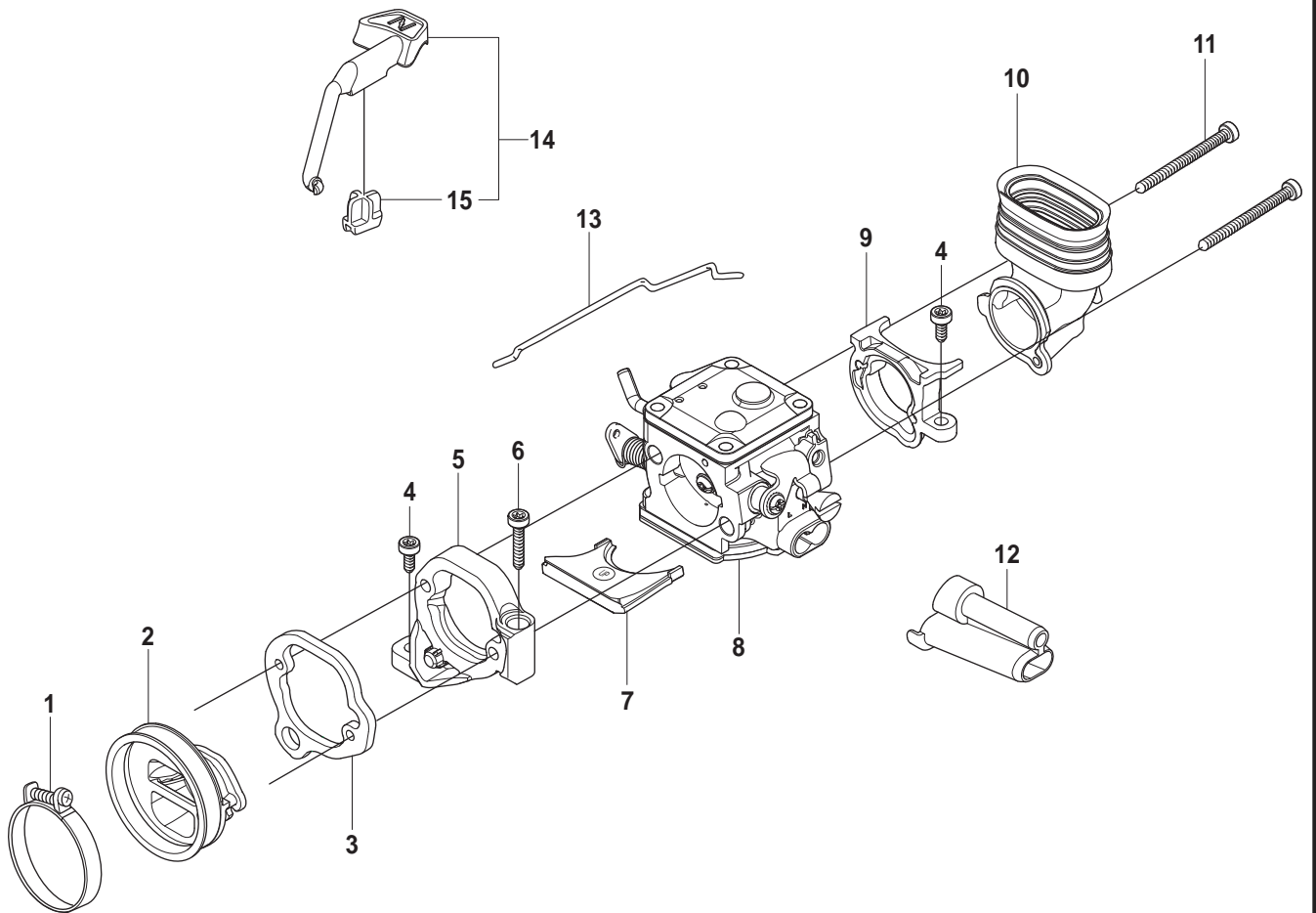


Page K
K960

Pos.	Part No.	Description	Quantity	Notes
1	503 21 53-49	SCREW	2	
2	544 87 46-01	LABEL	1	
3	544 87 44-02	LABEL	1	CE
3	544 87 44-04	LABEL	1	EPA USA
3	544 87 44-05	LABEL	1	EPA Canada
4	506 22 17-02	AIR FILTER COVER	1	
5	506 23 19-01	PREFILTER	1	
6	506 28 39-30	SEALING	2	
7	506 22 18-15	FILTER BOTTOM	1	Incl. 6
8	506 34 70-02	AIR FILTER	1	
9	544 89 14-04	CYLINDER COVER ASSY	1	Incl. 10, 11
10	506 24 39-02	LABEL	1	
11	503 21 53-30	SCREW	3	
12	544 89 07-05	LABEL	1	
12	544 89 07-06	LABEL	1	Rescue
13	740 48 20-03	O-RING	1	
14	501 98 10-01	SCREW	1	
15	506 22 94-01	AIR NOZZLE	1	

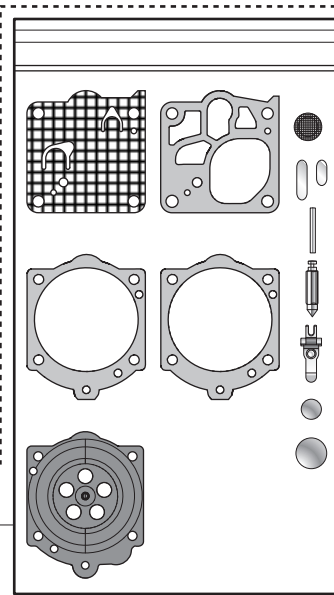
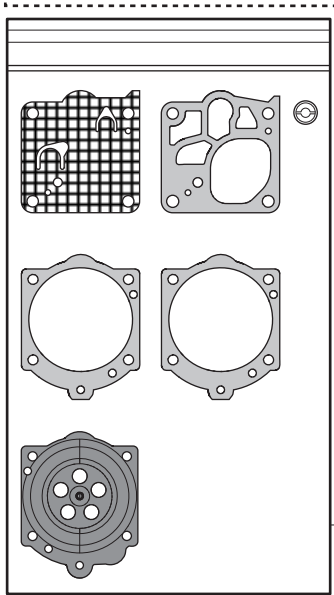
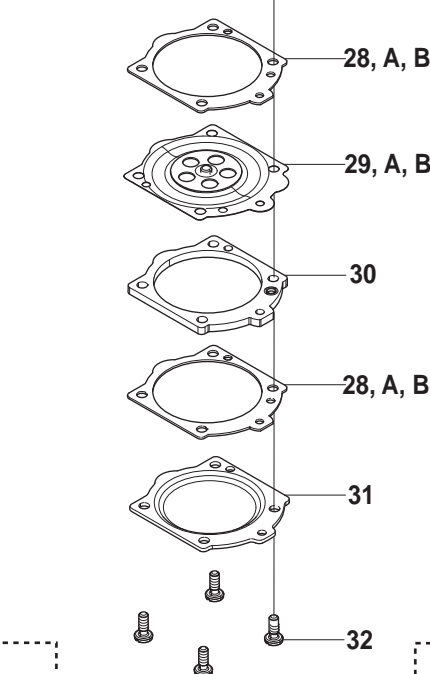
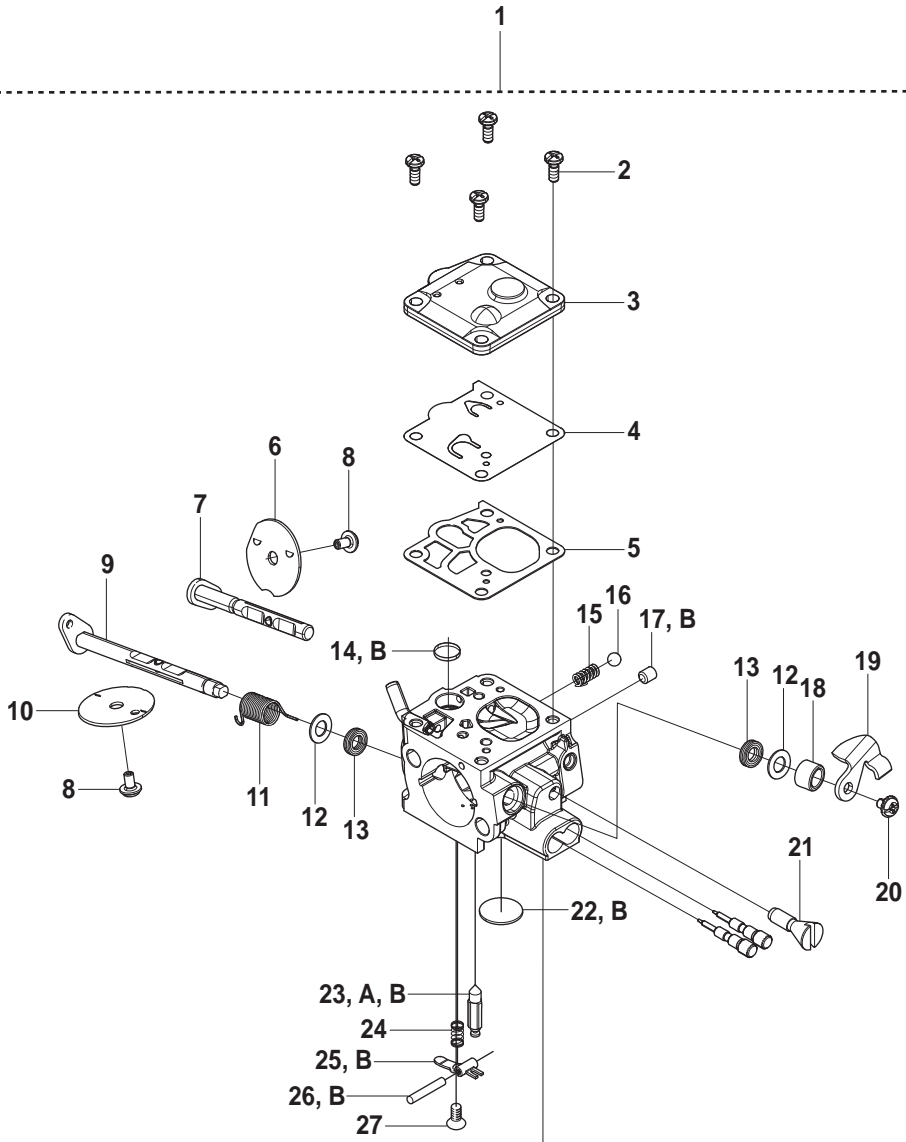


K960



Page L
K960

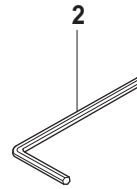
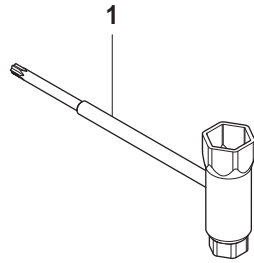
Pos.	Part No.	Description	Quantity	Notes
1	503 56 00-08	HOSE CLAMP	1	
2	506 41 41-01	INLET PIPE	1	
3	544 15 01-01	FLANGE	1	
4	503 21 53-16	SCREW	2	
5	544 11 39-01	CONSOLE	1	
6	503 21 53-30	SCREW	1	
7	506 41 42-01	PLATE	1	
8	544 26 61-01	CARBURETTOR	1	Walbro RWJ-2
9	544 11 17-01	FLANGE	1	
10	544 33 19-01	INLET BEND	1	
11	501 97 18-01	SCREW	2	
12	544 23 26-01	CHISEL GUIDE	1	
13	504 05 47-01	THROTTLE ROD	1	
14	506 23 20-11	CHOKE	1	Incl. 15
15	506 27 25-01	WEAR PROTECTION	1	



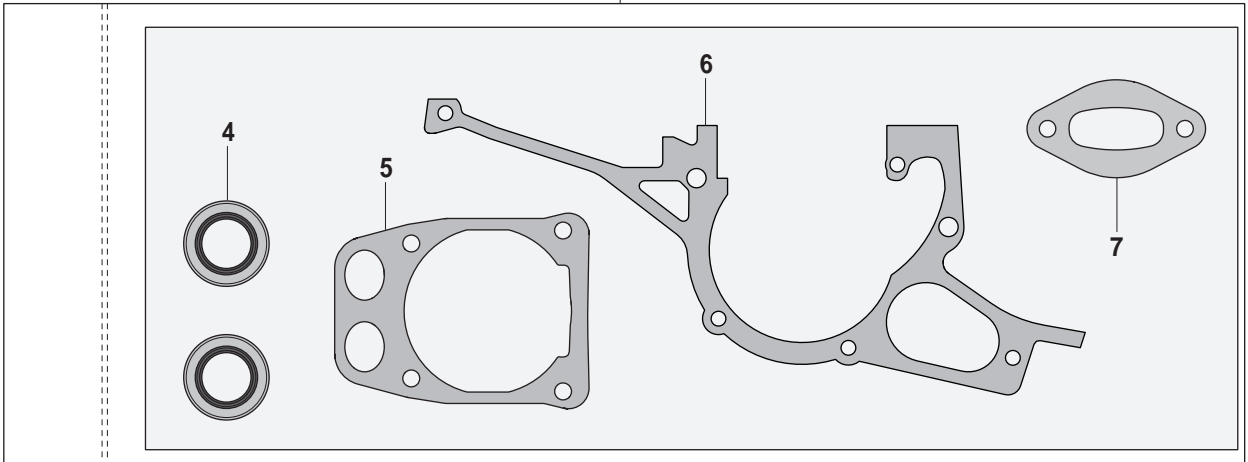
33, A

34, B

Pos.	Part No.	Description	Quantity	Notes
1	544 26 61-01	CARBURETTOR	1	Incl. 2 - 32
2	503 11 75-01	SCREW-PUMP COVER	4	
3	544 89 62-01	PUMP COVER	1	
4	544 89 72-01	DIAPHRAGM PUMP	1	A, B
5	503 11 72-01	GASKET-PUMP	1	A, B
6	504 13 52-01	VALVE	1	
7	544 89 67-01	SHAFT	1	
8	544 11 15-01	SCREW	2	
9	544 89 64-01	SHAFT	1	
10	504 13 53-01	VALVE	1	
11	544 95 68-01	SPRING	1	
12	505 31 67-48	WASHER	2	
13	503 56 45-01	SEAL-THROTTLE SHAFT	2	
14	501 66 61-01	SCREEN-INLET	1	B
15	503 11 77-01	SPRING-CHOKE FRICT.	1	
16	503 11 71-01	BALL-CHOKE FRICTION	1	
17	530 03 51-57	PLUG	1	
18	537 00 26-01	SPACER	1	
19	544 89 60-01	LEVER	1	
20	501 46 87-01	SCREW	1	
21	544 89 76-01	SCREW	1	
22	503 57 41-01	PLUG-WELCH	1	
23	503 63 25-01	VALVE -INLET NEEDLE	1	A, B
24	503 11 76-01	SPRING-METER.LEVER	1	
25	505 31 67-34	LEVER-METERING	1	B
26	505 31 67-31	PIN-METERING LEVER	1	B
27	505 31 67-17	SCREW-LEVER PIN	1	
28	544 89 71-01	GASKET	2	A, B
29	544 89 74-01	DIAPHRAGM ASSY	1	A, B
30	544 89 79-01	PLATE	1	
31	544 89 63-01	COVER	1	
32	537 00 20-01	SCREW	4	
33	502 44 58-01	GASKET KIT	1	Kit A. D10-RWJ
34	502 44 59-01	REPAIR KIT	1	Kit B. K10-RWJ

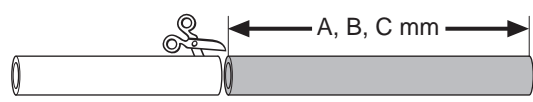
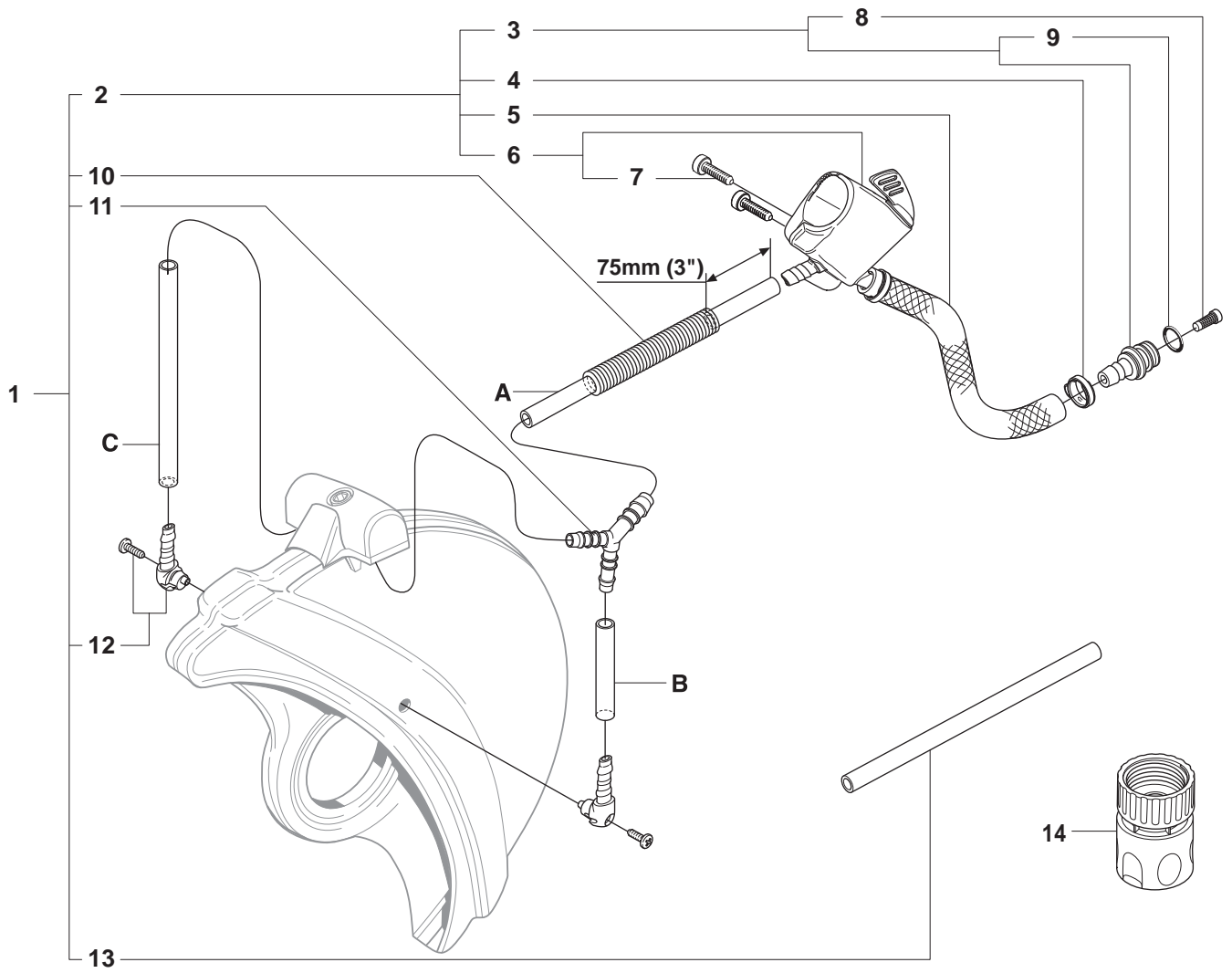


3



Page N
K960

Pos.	Part No.	Description	Quantity	Notes
1	506 38 26-01	COMBINATION TOOL	1	Torx 27
2	502 21 58-01	L-SPANNER	1	4 mm
3	544 22 98-01	GASKET KIT	1	Incl. 4, 5, 6, 7
4	503 26 02-04	SEALING RING	2	
5	506 41 40-01	GASKET	1	
6	506 41 39-01	GASKET	1	
7	506 37 81-01	GASKET MUFFLER	1	



Product		A (mm)	B (mm)	C (mm)
K960	12"	240	240	45
	14"	240	280	45
	16"	270	360	45

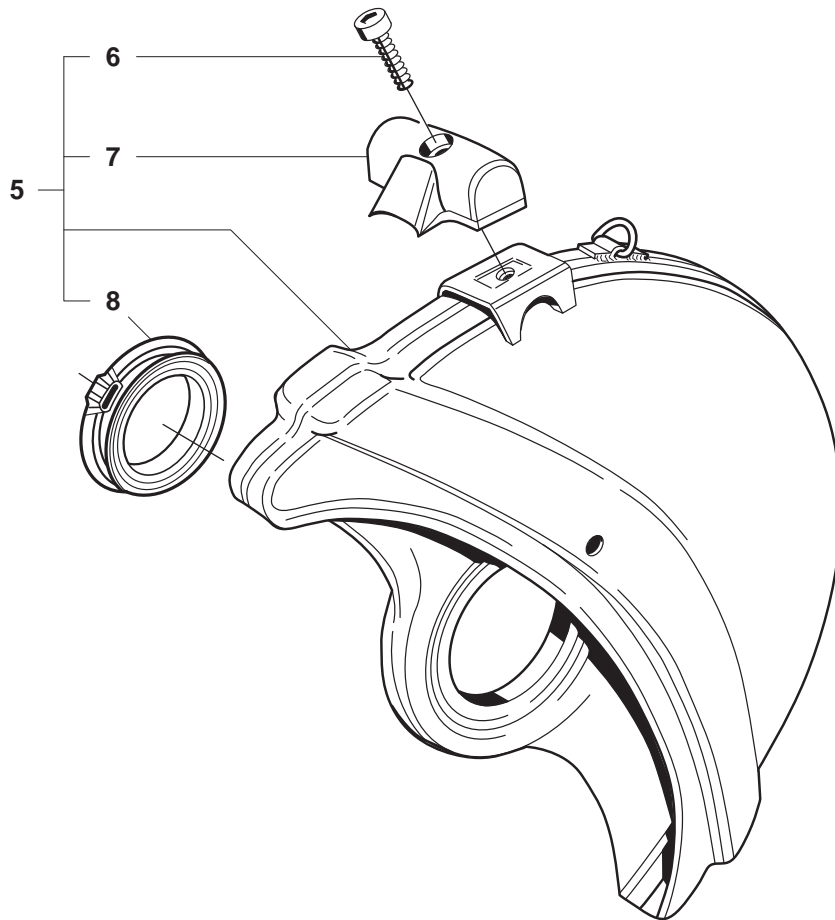
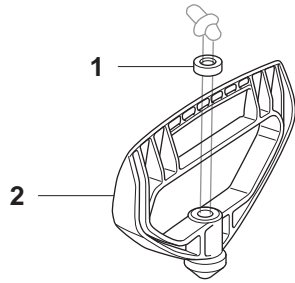
Page P
K960

Pos.	Part No.	Description	Quantity	Notes
1	544 00 31-02	WATER HOSE KIT	1	12", 14". Incl. 2, 10 - 13
1	544 00 31-05	WATER HOSE KIT	1	16". Incl. 2, 11 - 13
2	506 38 59-04	HOSE	1	Incl. 3 - 6
3	506 29 57-02	NIPPLE	1	Incl. 7
4	506 09 56-06	HOSE CLAMP	2	
5	506 09 75-02	HOSE	1	L=230 mm
6	506 38 60-12	VALVE ASSY	1	Incl. 7
7	503 21 54-20	SCREW	2	
8	506 29 88-01	FILTER	1	Incl. 9
9	503 26 30-21	O-RING	1	
10	506 35 27-01	PROTECTIVE SPRING	1	16" only
11	506 29 56-01	NIPPLE	2	
12	506 32 87-01	Y-TUBE	1	
13	506 09 58-24	HOSE	1	800 mm
14	503 26 60-02	COUPLER	1	

Q K960

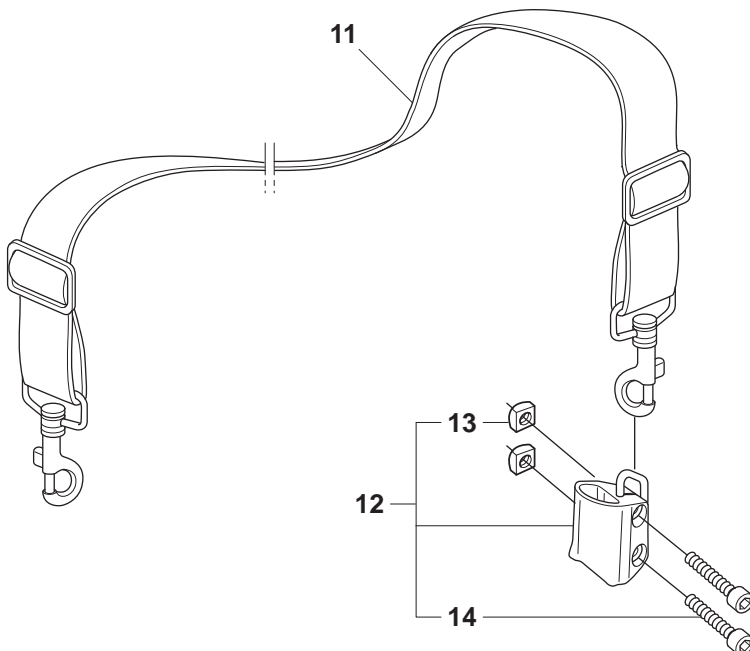
**K12 FD
FIRE-RESCUE**

Rescue



9 — **Husqvarna Rescue**
max 5100 rpm
Ø25.4 (Ø1"), Ø300 (Ø12")

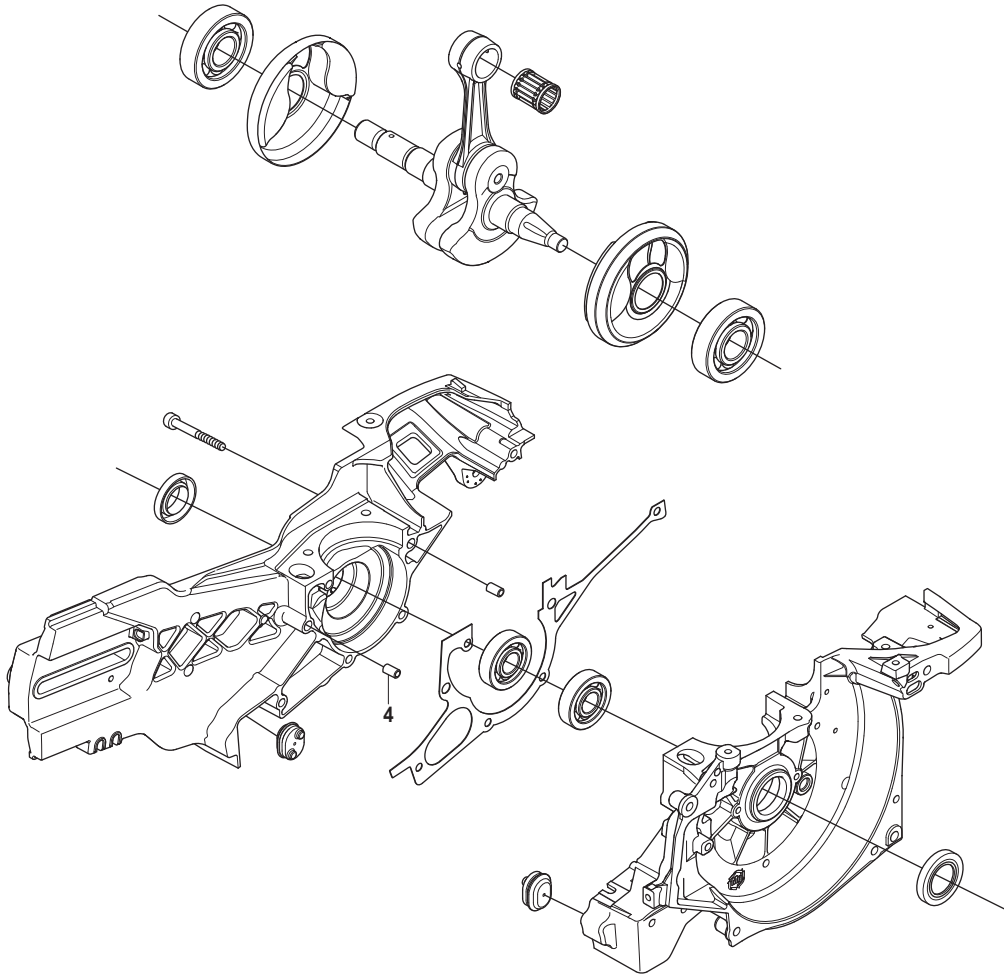
10 — **⚠ ATTENTION ⚠**
This product has been modified for use by
trained fire rescue personnel only.



Page Q
K960

Pos.	Part No.	Description	Quantity	Notes
1	503 14 29-02	WASHER	1	
2	506 29 75-02	STARTER HANDLE	1	
3	506 32 20-02	LABEL	1	
4	506 30 23-02	LABEL	1	
5	506 34 05-24	WHEEL GUARD ASSY	1	Rescue 14". Incl. 6 - 8
5	506 34 05-28	WHEEL GUARD ASSY	1	Rescue 12". Incl. 6 - 8
6	725 53 31-55	SCREW	1	
7	506 34 46-02	HANDLE	1	
8	506 26 63-02	LINING	2	
9	544 89 06-01	LABEL	1	14"
9	544 89 06-03	LABEL	1	12"
10	506 32 22-02	LABEL	1	
11	506 29 76-01	SHOULDER STRAP	1	
12	506 30 25-05	BRACKET	1	Incl. 13, 14
13	503 22 65-04	NUT	2	
14	503 21 53-12	SCREW	2	

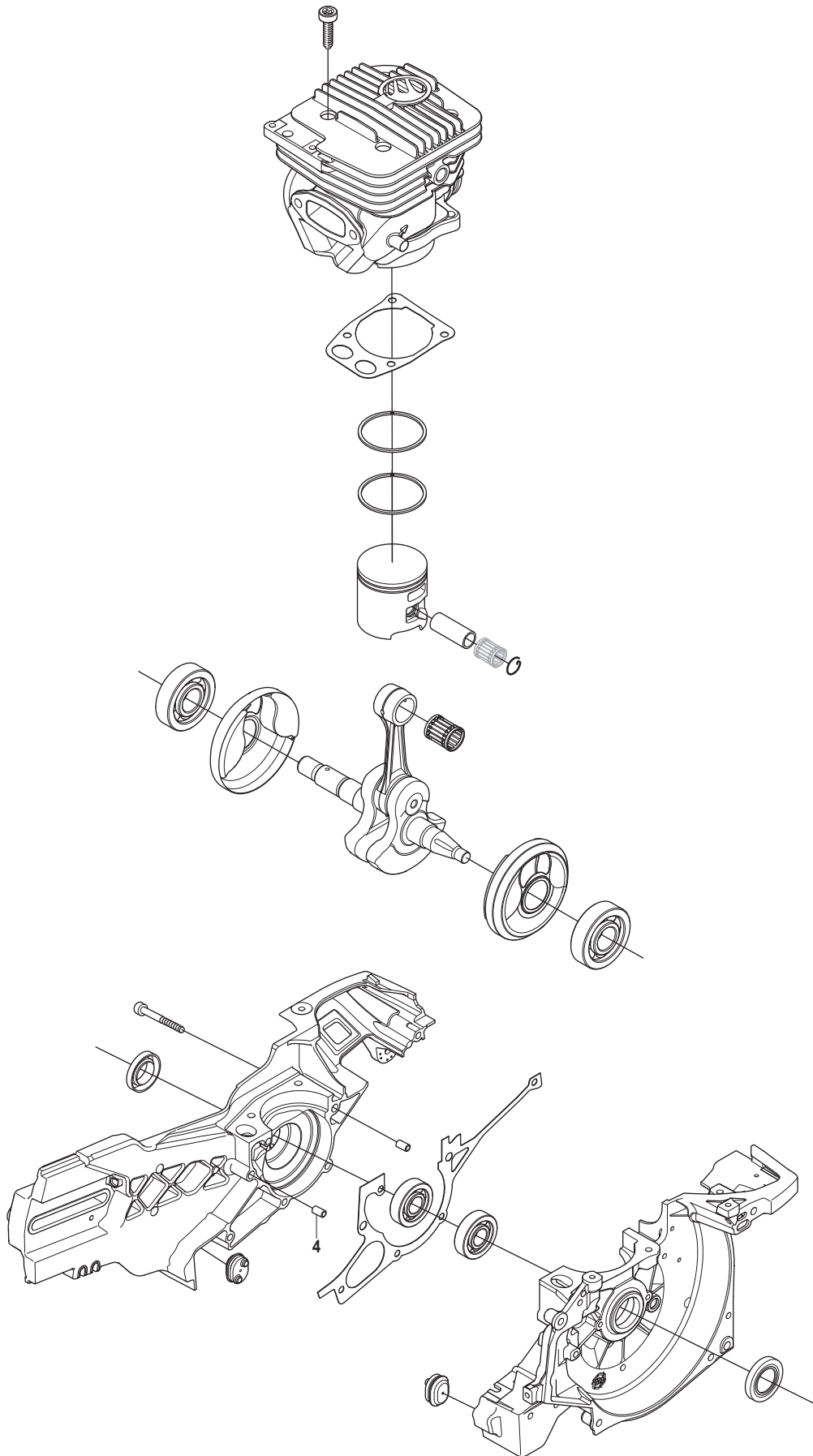
1



Page R
K960

Pos.	Part No.	Description	Quantity	Notes
1	544 21 47-03	CRANKCASE CPL.	1	

1



Page S
K960

Pos.	Part No.	Description	Quantity	Notes
1	544 21 47-04	CRANKCASE CPL	1	