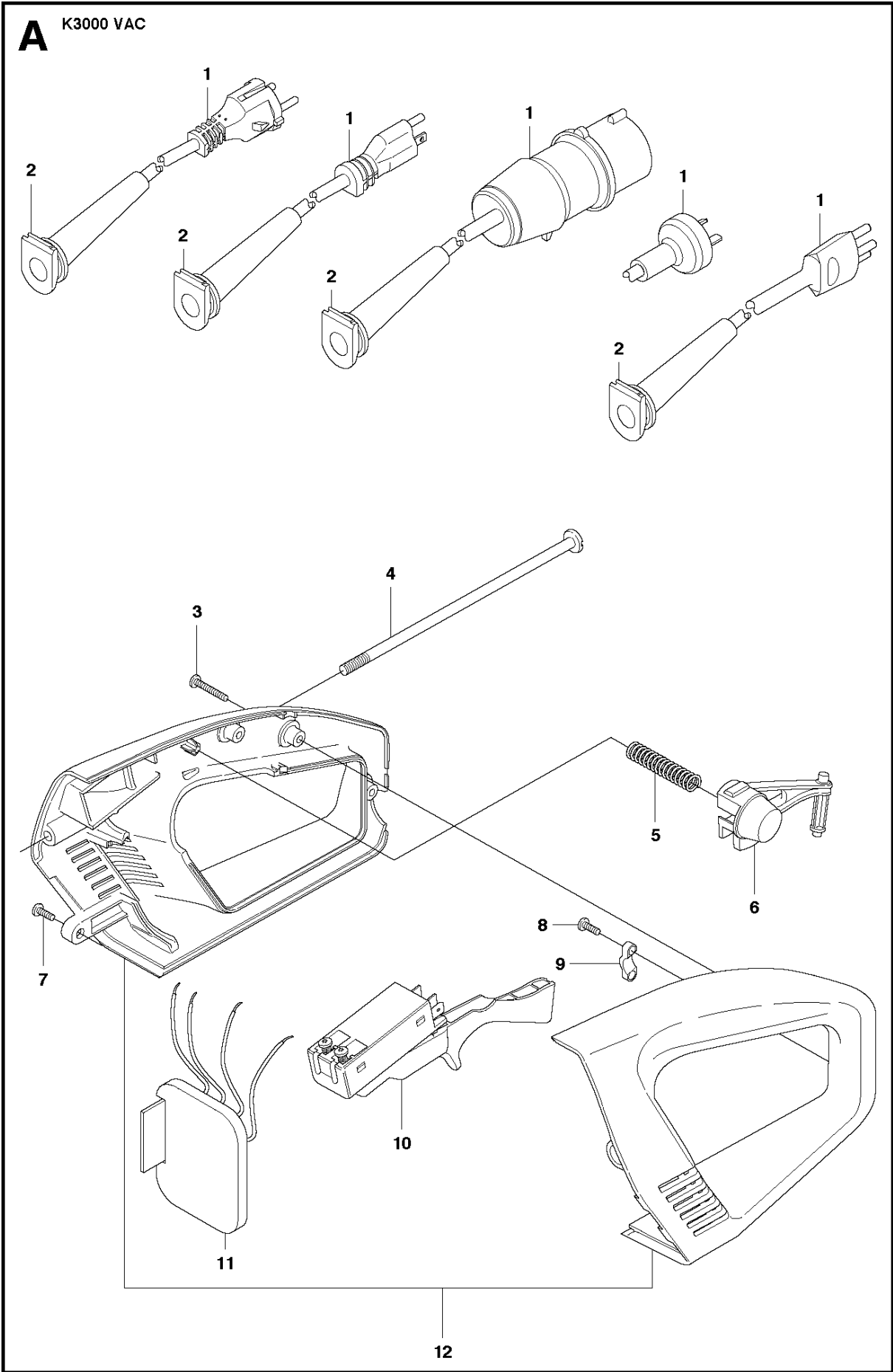




SPARE PARTS LIST

POWER CUTTERS

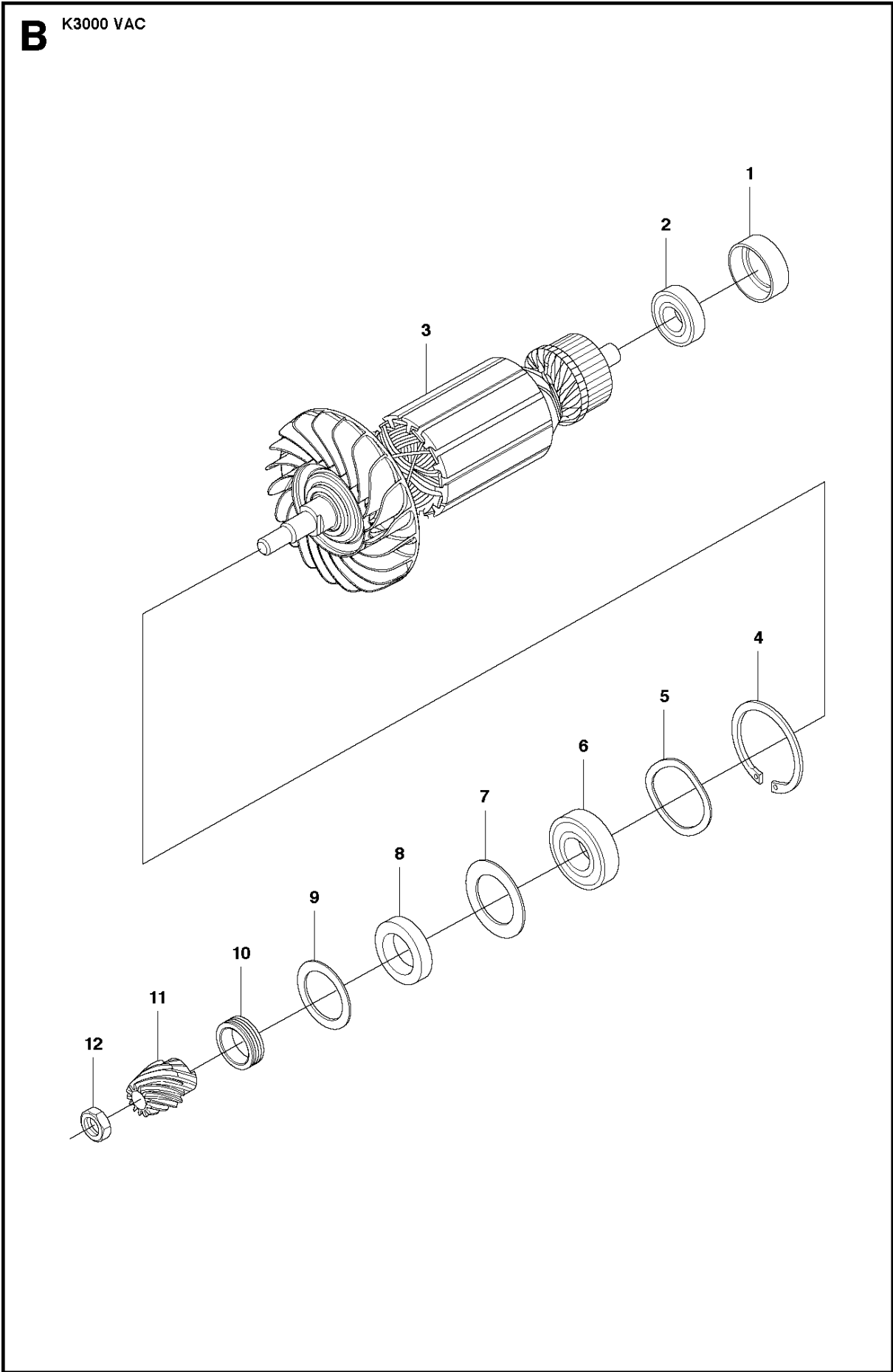
K3000 VAC, 2011-01



HANDLE

K3000 VAC, 2011-01

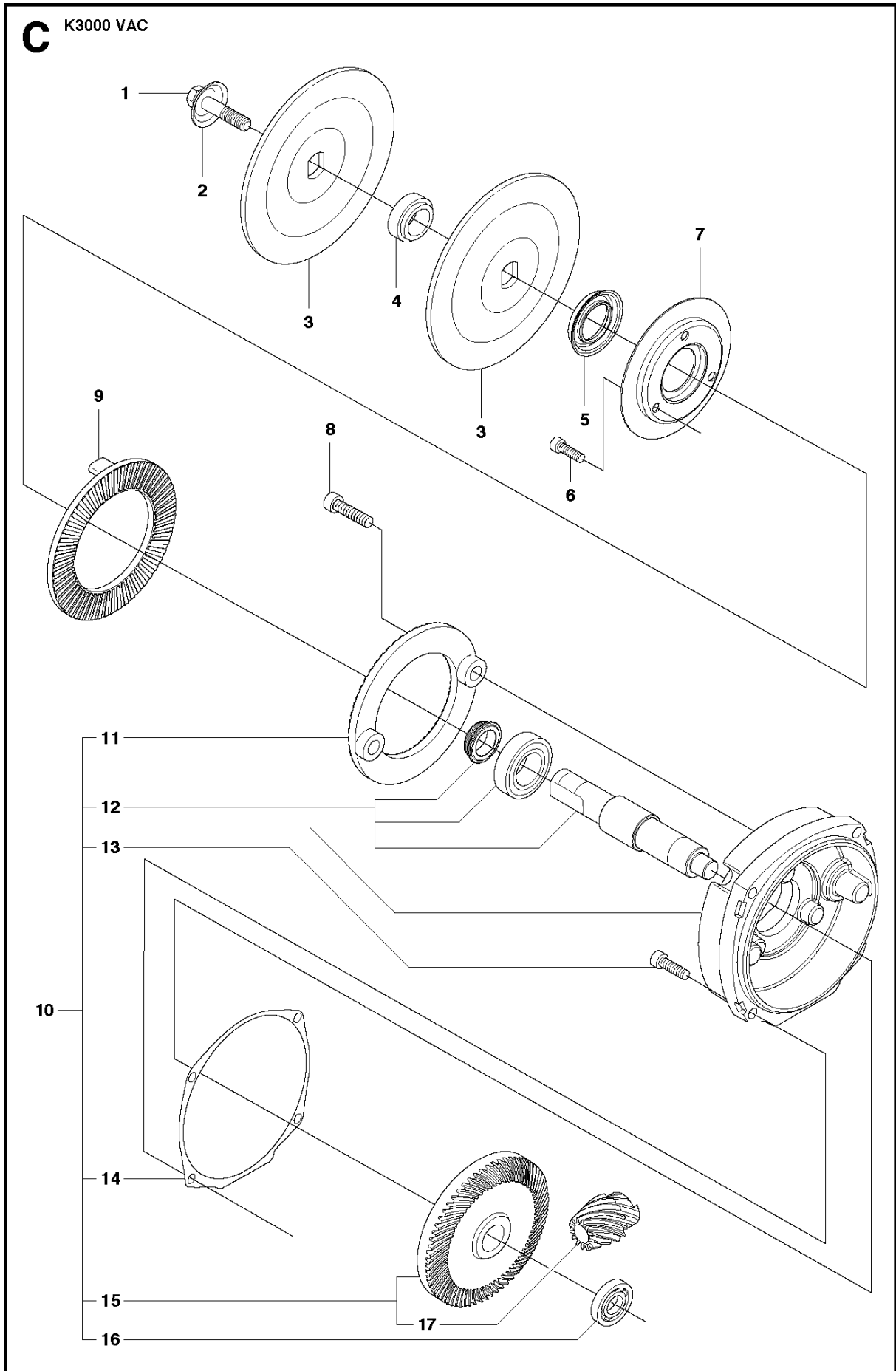
Ref	Part No	Description	Remark	QTY KIT
1	505 44 33-04	CABLE	230V, incl. 2	1
1	510 18 13-05	CABLE	110V JP, USA, incl. 2	1
1	521 91 90-03	CABLE	110V UK, incl. 2	1
1	510 22 28-08	CABLE	110V AU	1
1	521 90 74-04	CABLE	230V CH, incl. 2	1
2	544 90 05-01	CABLE SLEEVE		1
3	531 03 19-02	SCREW		3
4	505 53 03-11	SCREW		1
5	531 03 18-85	SPRING		1
6	544 90 06-01	LOCKING BUTTON		1
7	724 13 27-55	SCREW CRPANM		1
8	729 57 78-01	SCREW CRPANT		2
9	531 03 18-87	CLIP		1
10	531 03 18-83	SWITCH		1
11	575 89 00-02	PRINTED CIRCUIT ASSY	110V	1
11	575 89 01-02	PRINTED CIRCUIT ASSY	230V	1
12	544 90 45-01	HANDLE ASSY		1



ARMATURE

K3000 VAC, 2011-01

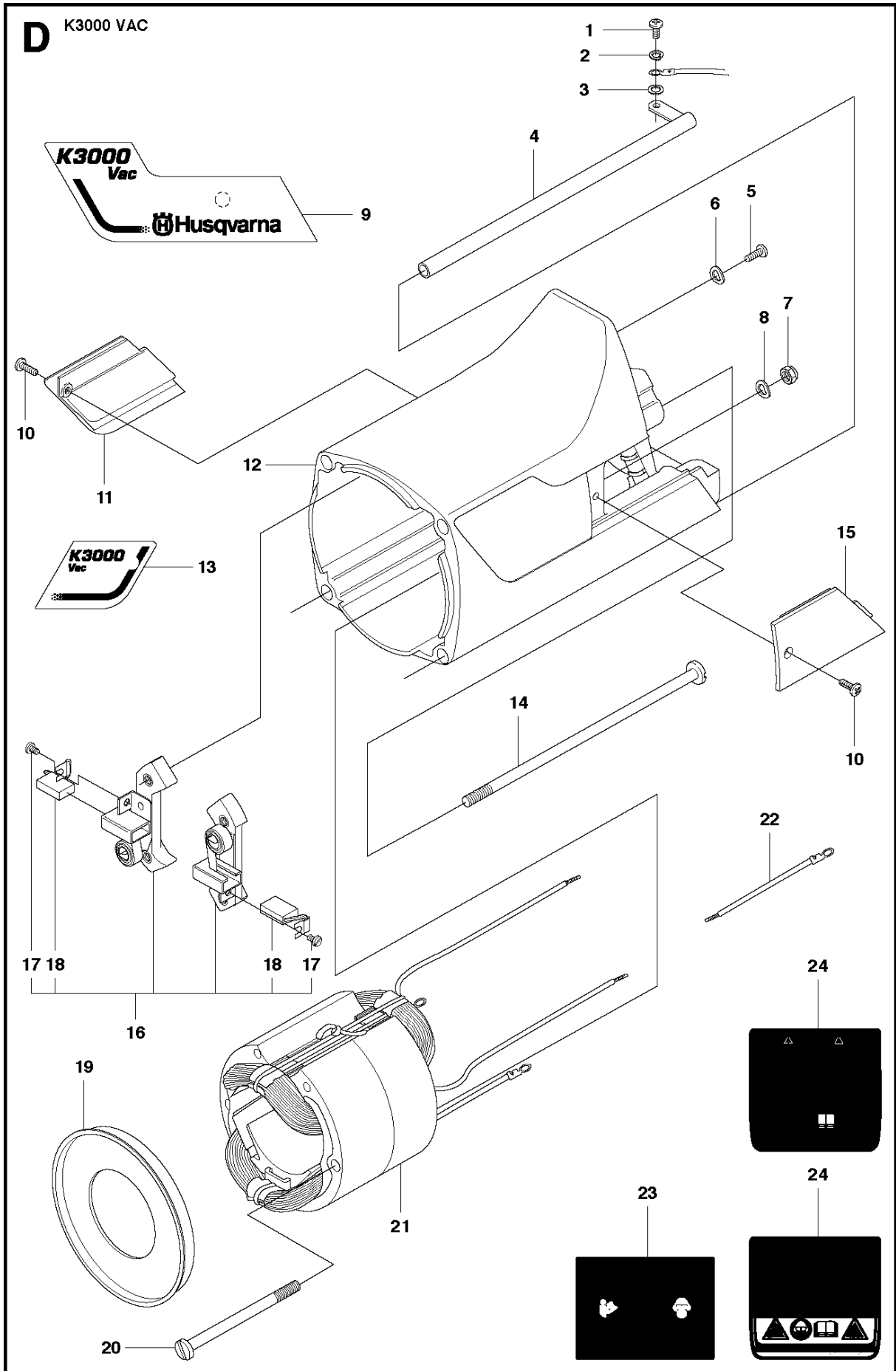
Ref	Part No	Description	Remark	QTY KIT
1	505 53 03-14	RUBBER BUSHING		1
2	503 25 09-01	BALL BEARING		1
3	575 98 92-01	ROTOR	100 - 120V	1
3	575 98 93-01	ROTOR	230V	1
4	735 31 33-10	CIRCLIP		1
5	505 53 03-51	SPRING WASHER		1
6	531 07 39-44	BALL BEARING		1
7	505 53 03-16	SPACER		1
8	505 53 03-41	FELT JOINT		1
9	505 53 03-52	SPACER		1
10	505 53 03-19	SPACER		1
11	506 09 86-02	PINION		1
12	523 12 24-02	NUT		1



GEARS

K3000 VAC, 2011-01

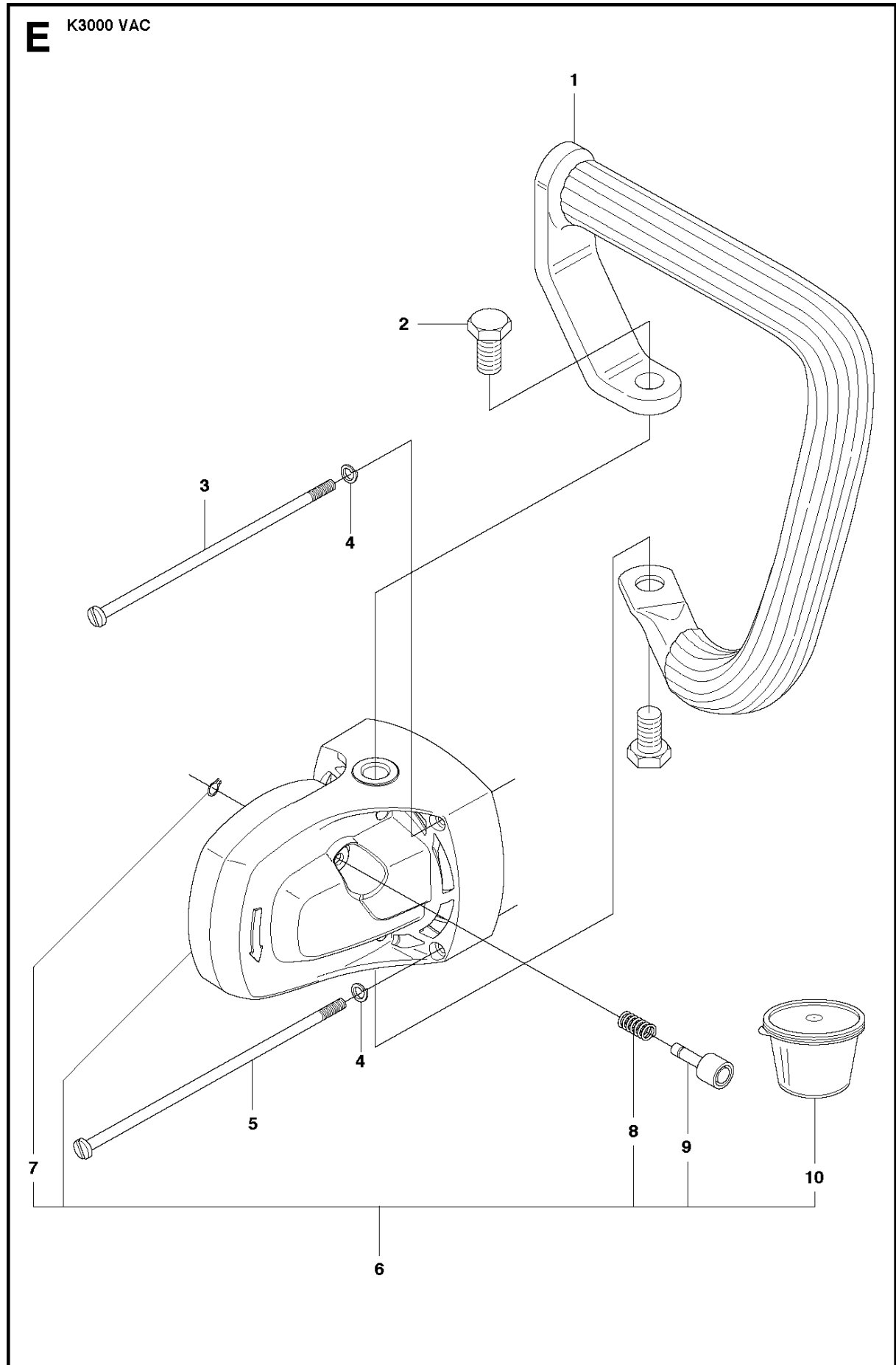
Ref	Part No	Description	Remark	QTY KIT
1	506 13 96-01	SCREW EHHFM		1
2	506 13 95-11	WASHER		1
3	506 02 87-01	FLANGE WASHER		2
4	506 37 96-20	KIT	Diam 20mm	1
4	506 37 96-22	KIT	Diam 22,2mm	1
4	506 37 96-25	KIT	Diam 25,4mm	1
4	506 02 88-30	BUSHING	Diam 30,5mm	1
5	506 32 06-01	SEALING		1
6	505 57 41-16	SCREW ITXSCM		3
7	506 26 65-01	FLANGE		1
8	503 21 53-10	SCREW ITXSCM		2
9	506 26 64-01	SCREEN PATTERN FLANG		1
10	544 40 32-01	GEAR SET	Incl. 11 - 16	1
11	506 28 84-01	SCREEN PATTERN FLANG		1
12	544 40 33-01	SHAFT		1
13	505 57 41-20	SCREW ITXSCM		4
14	523 05 62-01	GASKET		2
15	531 03 18-75	GEAR WHEEL	Incl. 17	1
16	506 09 86-02	PINION		1
17	738 22 00-15	BALL BEARING		1



MOTOR HOUSING

K3000 VAC, 2011-01

Ref	Part No	Description	Remark	QTY KIT
1	724 12 87-01	SCREW CRPANM		1
2	735 21 36-01	LOCK WASHER		1
3	734 11 36-01	WASHER		1
4	531 03 18-91	PIPE		1
5	724 12 91-01	SCREW CRPANM		4
6	735 11 36-50	SPRING WASHER		4
7	732 21 14-01	LOCK NUT		2
8	735 11 46-50	SPRING WASHER		1
9	544 90 33-06	LABEL	VAC	1
10	729 57 76-01	SCREW CRPANT		1
11	544 90 02-01	LID		1
12	544 89 87-01	MOTOR HOUSING		1
13	544 90 33-07	LABEL	VAC	1
14	505 53 03-11	SCREW		1
15	544 89 94-01	LID		1
16	531 03 18-92	BRUSH HOLDER	Incl. 17 - 18	1
17	723 22 85-81	SCREW SLPANM		2
18	506 22 58-02	CARBON BRUSH		2
19	505 53 03-07	AIR STREAM DIRECTOR		1
20	506 22 53-01	SCREW		2
21	506 22 51-10	STATOR ASSY	100 - 120V	1
21	506 22 51-20	STATOR ASSY	230V	1
22	575 29 86-01	JOINTING CABLE	100 - 120V	1
23	544 98 40-01	LABEL WARNING		1
24	506 38 44-15	LABEL	JP	1
24	506 38 43-14	LABEL	USA, UK	1

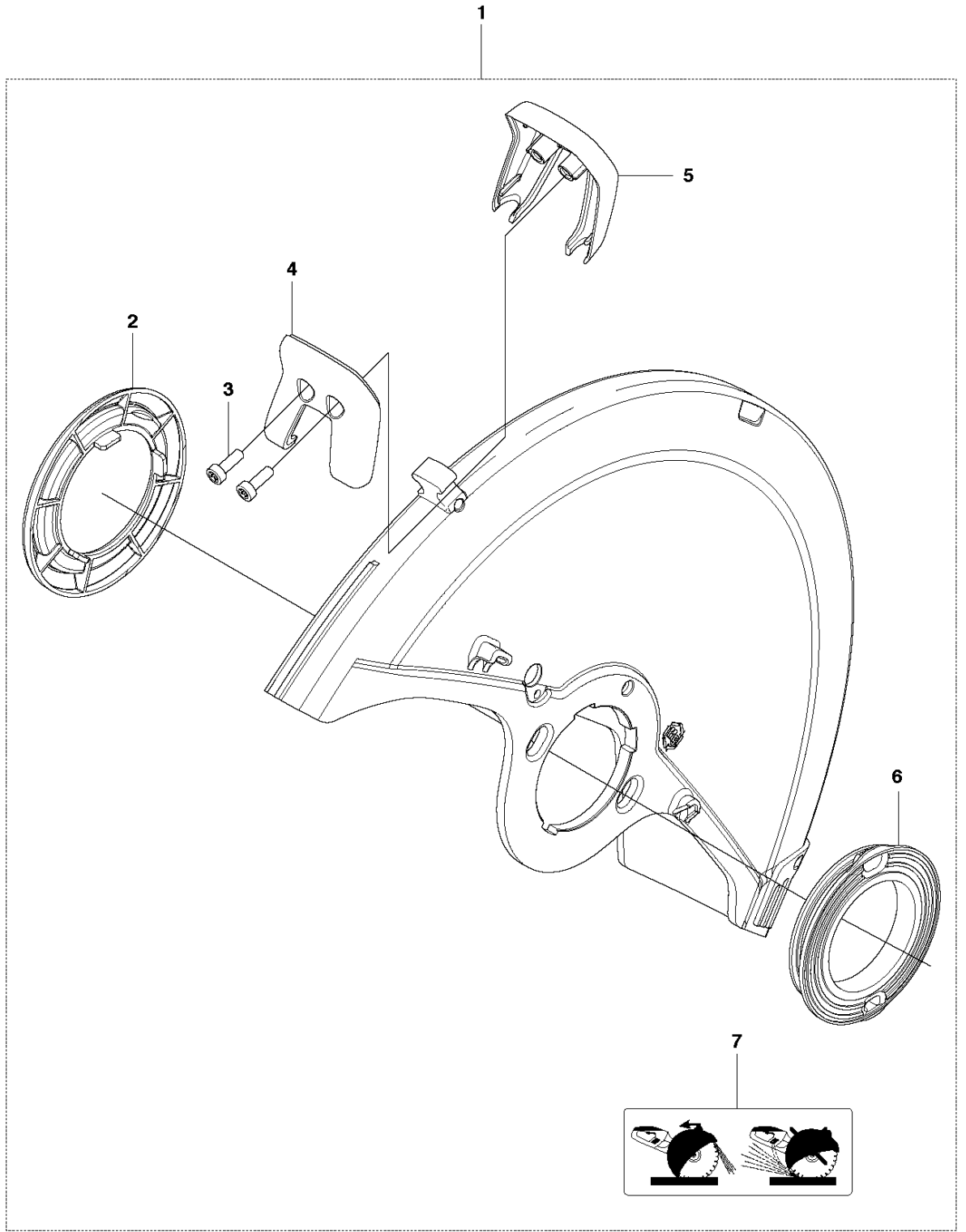


GEAR HOUSING

K3000 VAC, 2011-01

Ref	Part No	Description	Remark	QTY KIT
1	506 15 03-03	HANDLE		1
2	531 03 12-76	SCREW		2
3	505 53 03-11	SCREW		1
4	522 46 40-01	LOCK WASHER		2
5	531 03 18-94	SCREW		1
6	544 40 34-01	GEAR HOUSING	Incl. 7 - 10	1
7	735 31 08-00	CIRCLIP		1
8	531 03 18-23	SPRING		1
9	544 90 47-01	SHAFT		1
10	574 20 62-01	GREASE		1

F K3000 VAC

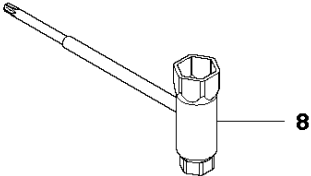
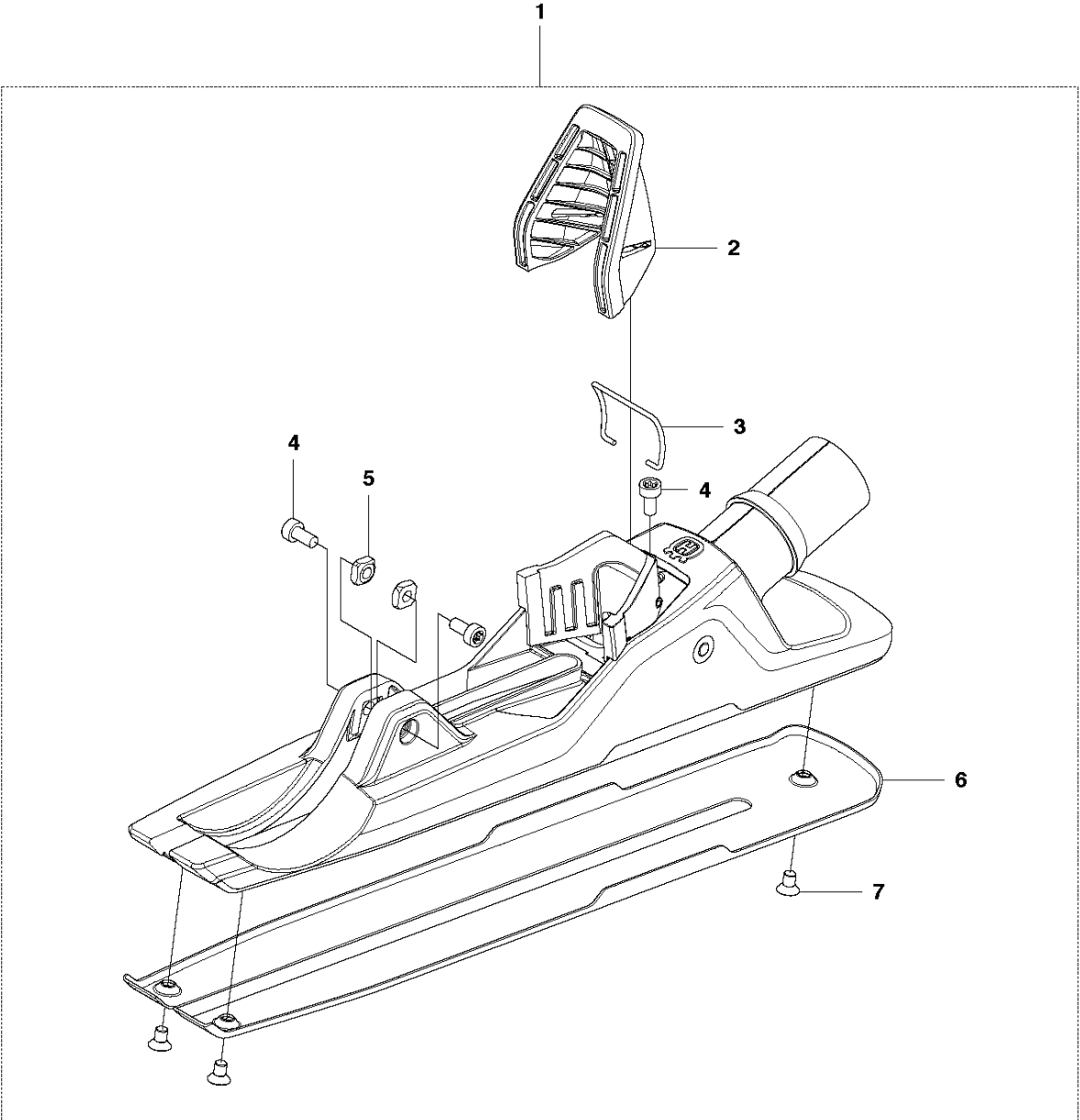


WHEELS & TIRES

K3000 VAC, 2011-01

Ref	Part No	Description	Remark	QTY KIT
1	577 71 69-01	WHEEL GUARD ASSY	Incl. 2 - 7	1
2	576 78 61-01	ADAPTER		1
3	504 90 94-10	SCREW ITXSCT		2
4	576 79 77-01	HANDLE HALF		1
5	576 79 76-01	HANDLE HALF		1
6	506 26 63-02	LINING		1
7	576 87 79-01	DECAL		1

G K3000 VAC



VAC UNIT

K3000 VAC, 2011-01

Ref	Part No	Description	Remark	QTY KIT
1	523 09 50-01	ASSEMBLY	Incl. 2 - 7	1
2	576 63 10-01	LOCKING HANDLE		1
3	576 63 15-01	SPRING		1
4	503 21 53-11	SCREW ITXSCM		3
5	503 22 65-04	SQUARE NUT		2
6	576 63 07-01	SKID PLATE		1
7	725 63 25-01	SCREW IHCSFM		3
8	506 38 26-01	COMBINATION TOOL		1