

K3000 Spray

Reservdelar

Spare parts

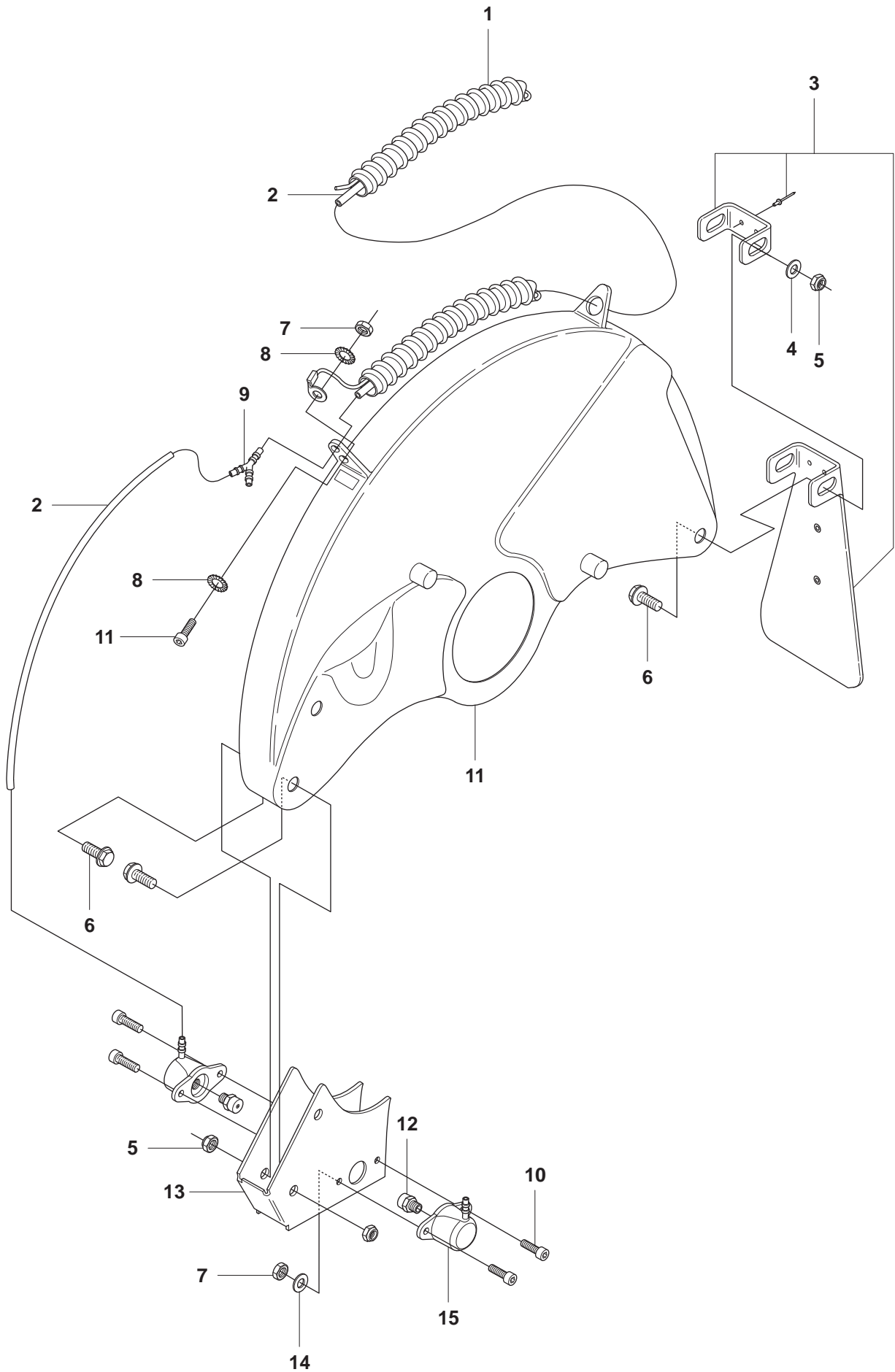
Ersatzteile

Pieces de rechange

Piezas de repuesto

Ricambi

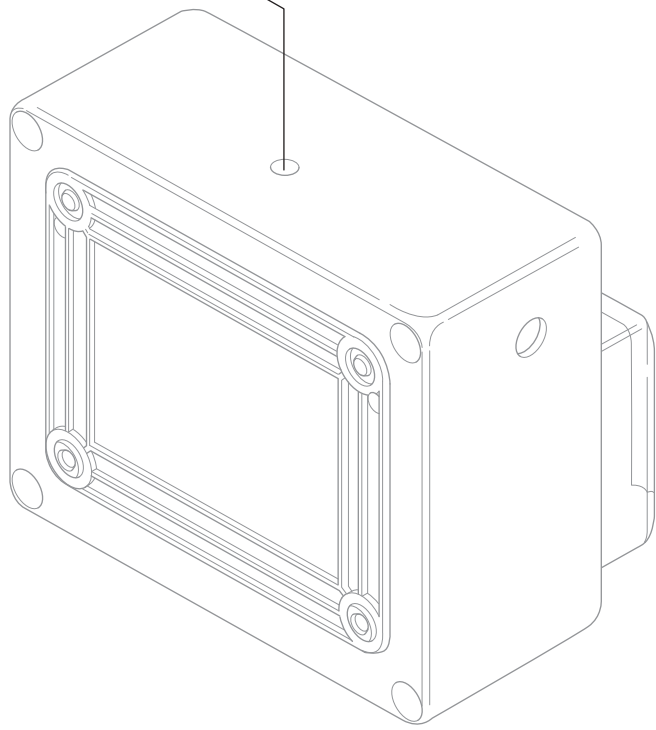
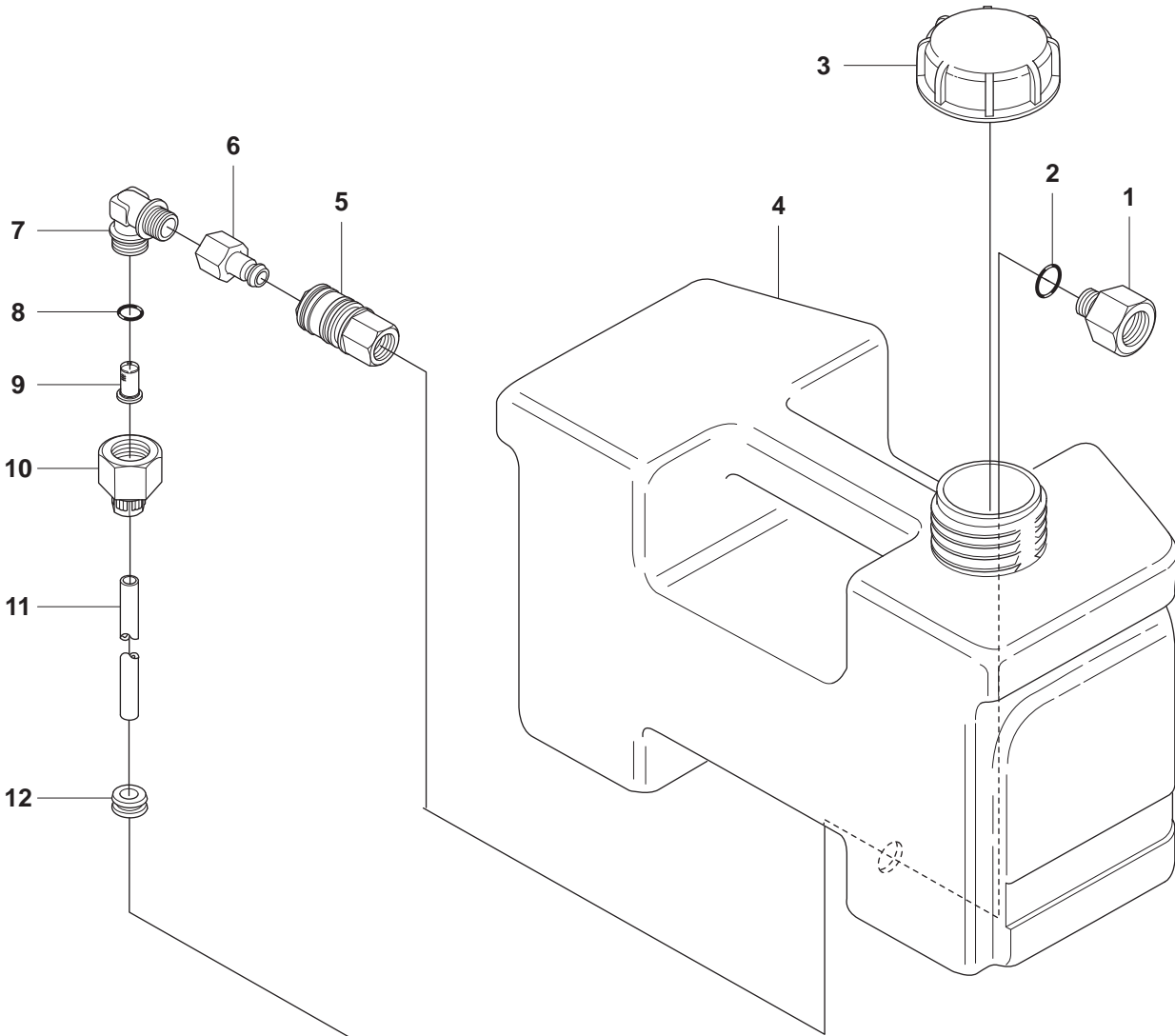
Peças sobresselente

A**K3000 SPRAY**

Page A
K3000 Spray

Pos.	Part No.	Description	Quantity	Notes
1	531 03 18-47	HOSE	2	
2	531 03 18-61	HOSE	2	2,5m
3	531 03 18-54	MUD RETAINER ASSY	1	
4	503 23 00-11	WASHER STEEL	2	
5	732 25 14-01	LOCK NUT	6	
6	503 20 00-03	SCREW COLLAR	6	
7	731 23 12-01	NUT	5	
8	735 21 36-01	WASHER	1	
9	531 03 18-48	Y CONNECTOR	1	
10	725 52 89-55	SCREW	5	
11	506 26 36-12	WHEEL GUARD	1	
12	531 03 18-52	NOZZLE	2	
13	531 03 18-62	HOUSING	1	
14	734 11 37-41	WASHER	4	
15	531 03 18-65	HOUSING, NOZZLE	2	

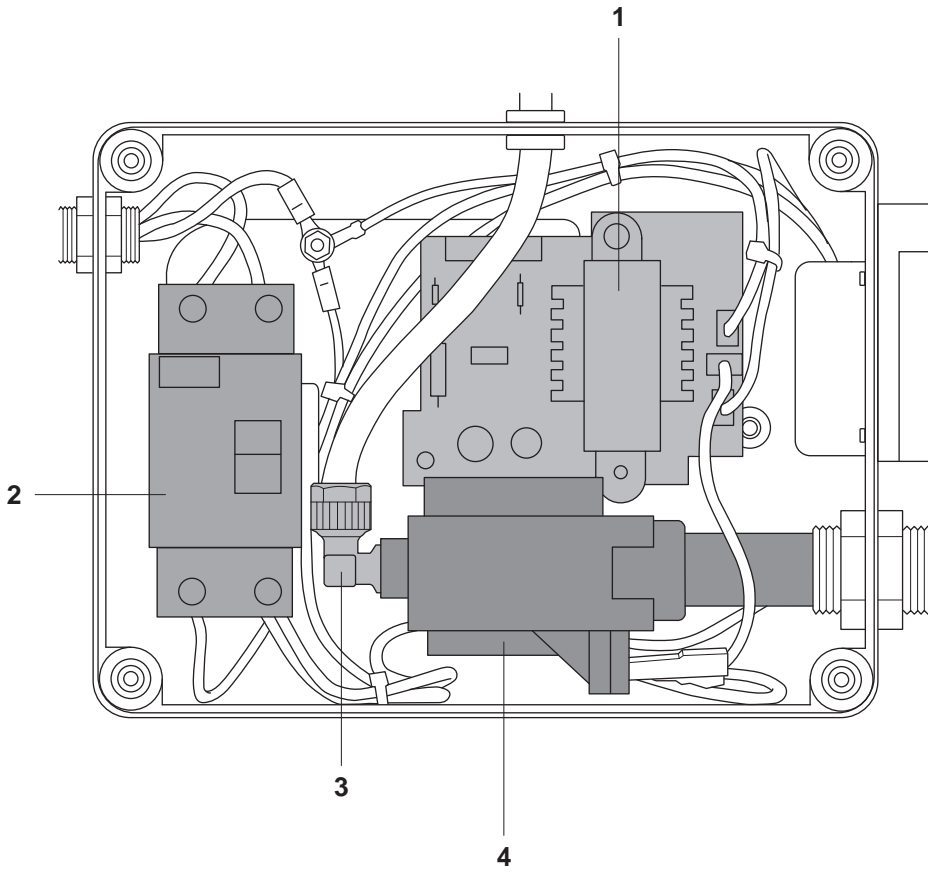
B K3000 SPRAY



Page B
K3000 Spray

Pos.	Part No.	Description	Quantity	Notes
1	531 03 18-63	CONNECTOR	1	
2	503 26 30-26	O-RING	1	
3	531 03 18-28	TANK CAP	1	
4	531 03 18-27	WATER TANK	1	
5	531 03 18-29	QUICK CONNECTOR	1	
6	531 03 18-30	QUICK CONNECTOR	1	
7	531 03 18-32	RIGHT ANGLE CONNECTOR	1	
8	503 26 30-25	O-RING	1	
9	531 03 18-33	FILTER	1	
10	531 03 18-34	CONNECTOR	1	
11	531 03 18-64	HOUSE	1	1m
12	531 03 18-35	RUBBER GROMMET	1	

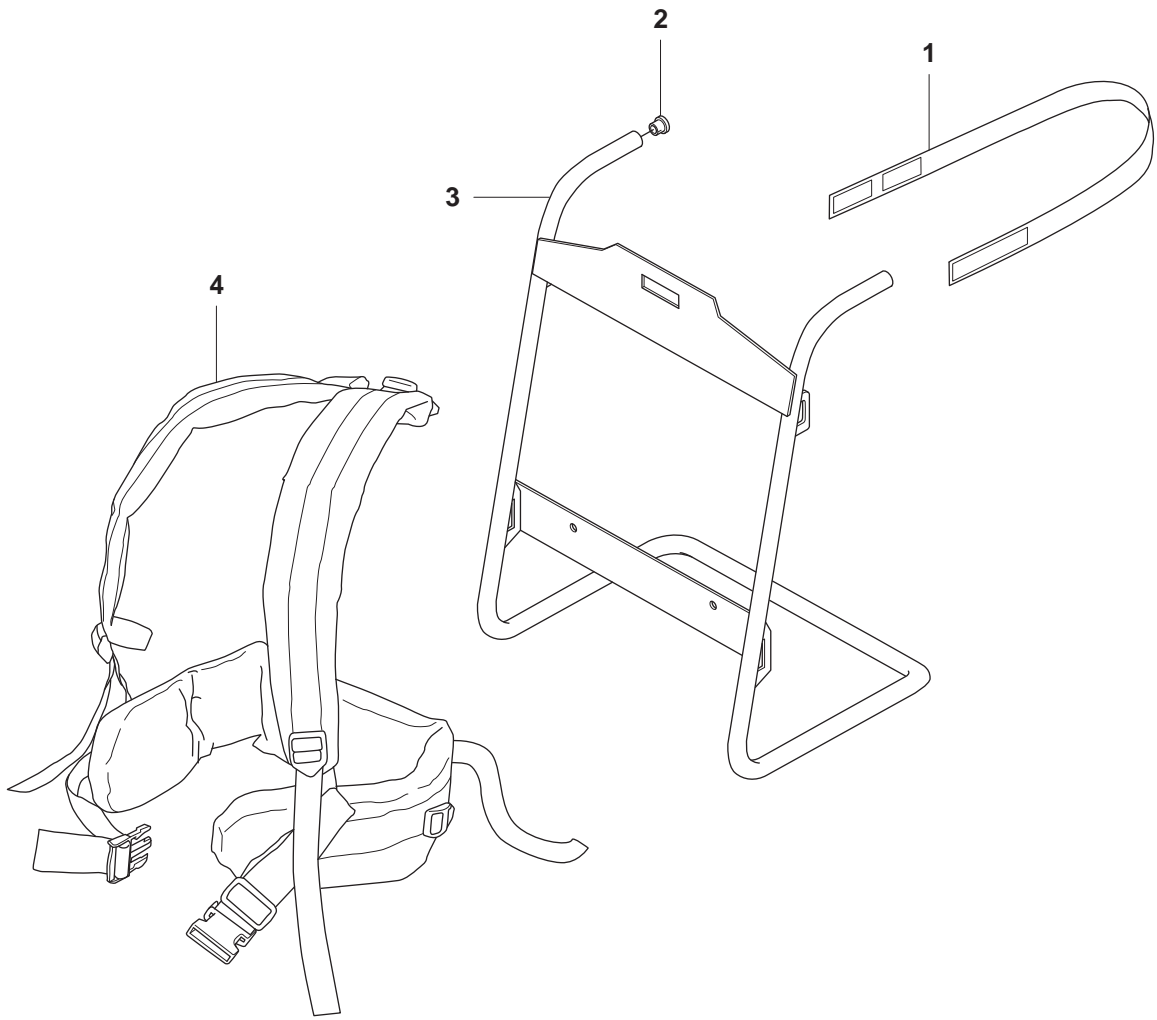
C K3000 SPRAY



Page C
K3000 Spray

Pos.	Part No.	Description	Quantity	Notes
1	531 03 18-69	CIRCUIT CARD	1	100/120V
1	531 03 18-45	CIRCUIT CARD	1	230V
2	531 03 18-44	CIRCUIT BREAKER	1	
3	531 03 18-36	CONNECTOR	1	
4	531 03 18-67	WATER PUMP	1	100/120V
4	531 03 18-37	WATER PUMP	1	230V

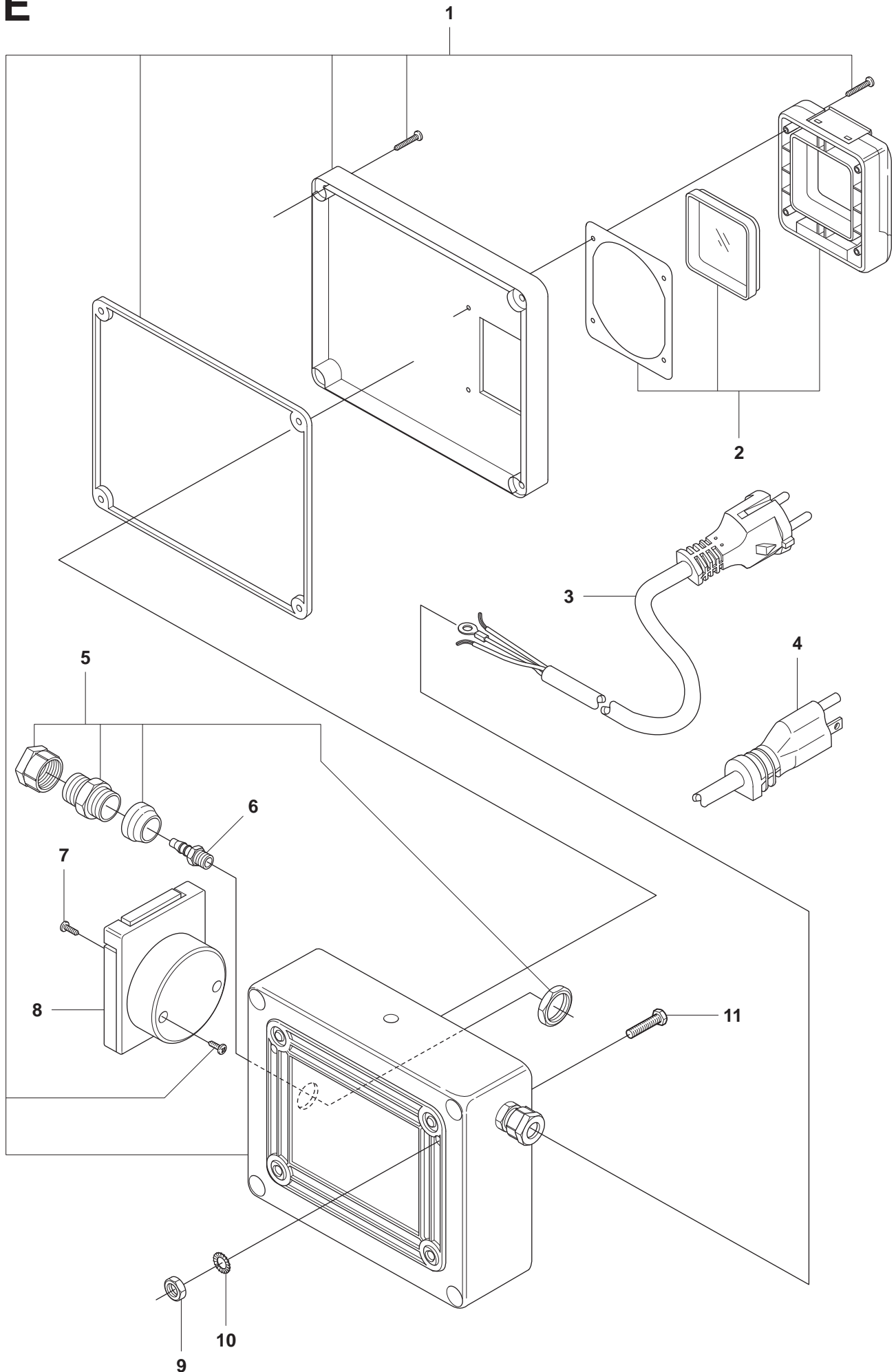
D K3000 SPRAY



Page D
K3000 Spray

Pos.	Part No.	Description	Quantity	Notes
1	531 03 18-56	BELT	1	
2	531 03 18-26	PLUG	2	
3	531 03 18-25	FRAME	1	
4	531 03 18-55	HARNESS	1	

E K3000 SPRAY



Page E
K3000 Spray

Pos.	Part No.	Description	Quantity	Notes
1	531 03 18-40	ELECTRIC HOUSING/COVER	1	
2	531 03 18-41	COVER	1	
3	505 52 02-11	CABLE	1	230V
4	505 53 03-56	CABLE	1	100/120V
5	531 03 18-39	GROMMET	1	
6	531 03 18-31	NIPPLE	1	
7	729 52 52-75	SCREW	4	
8	531 03 18-42	ELECTRIC SOCKET	1	230V
8	531 03 18-68	ELECTRIC SOCKET	1	100/120V
9	732 21 14-22	LOCKNUT	2	
10	735 11 46-01	SPRING WASHER	2	
11	725 23 29-51	SCREW	2	