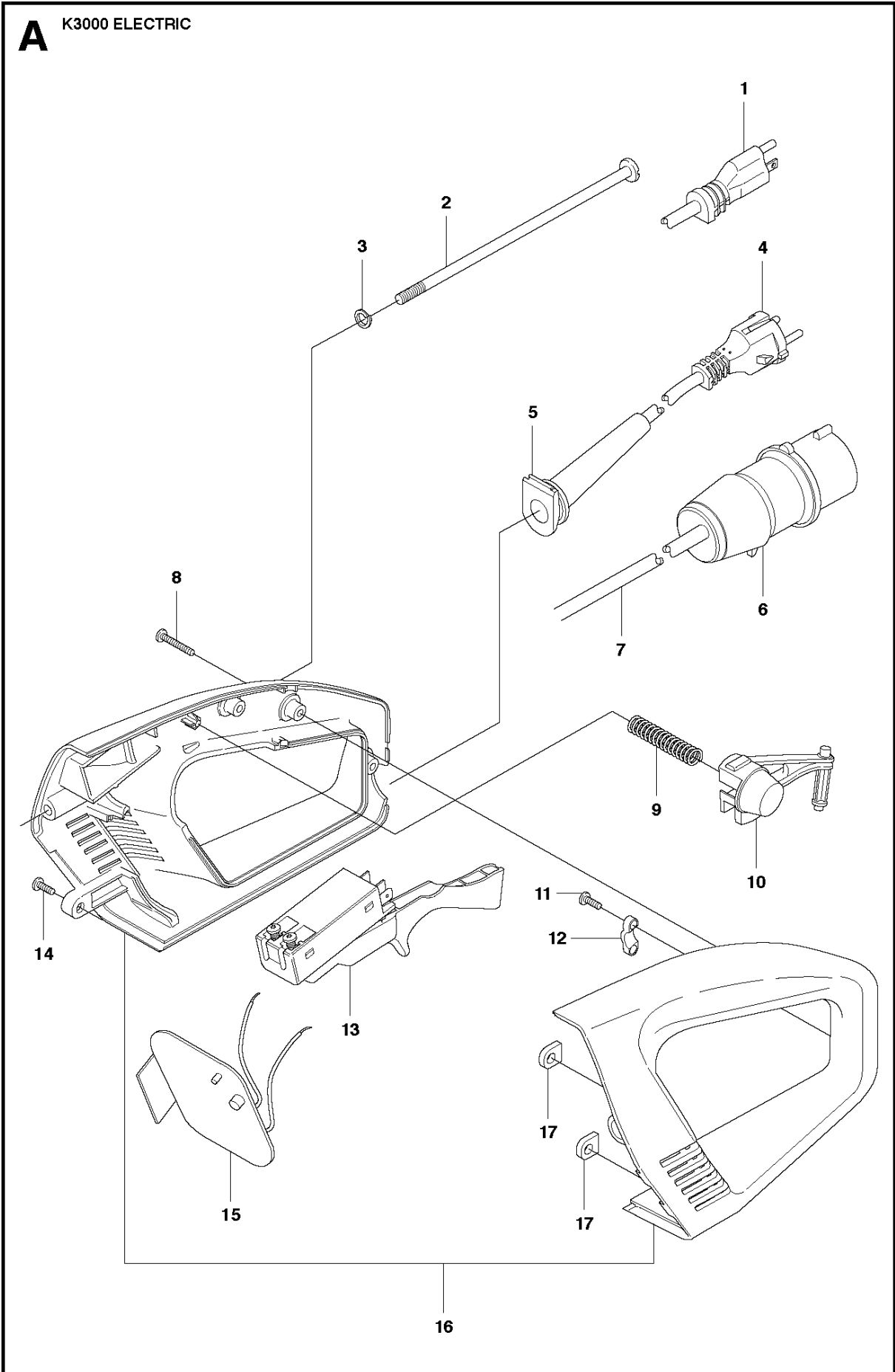




SPARE PARTS LIST

POWER CUTTERS

K3000 Electric, 2007-01

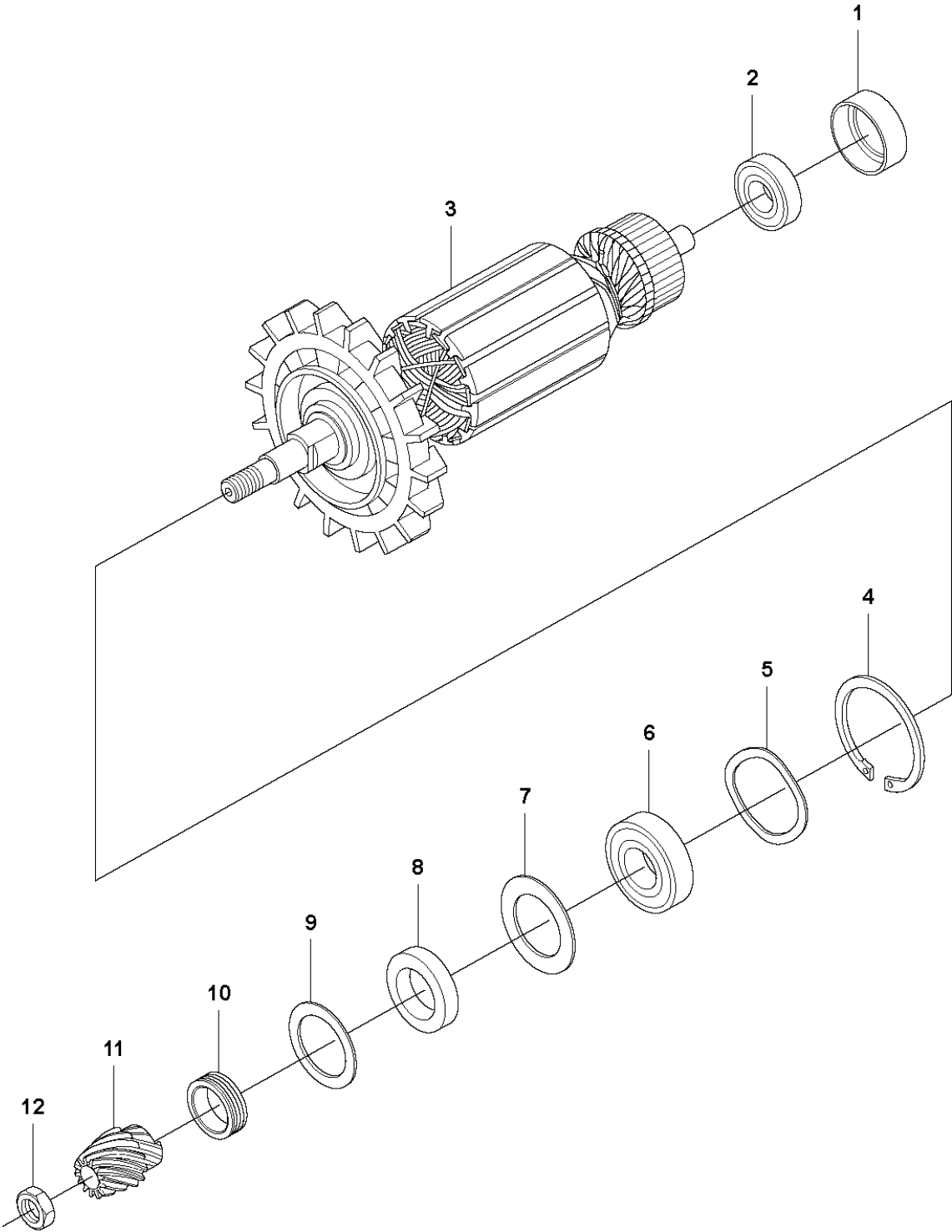


HANDLE

K3000 Electric, 2007-01

Ref	Part No	Description	Remark	QTY KIT
1	505 53 03-56	CABLE	JP, USA	1
2	505 53 03-11	SCREW		1
3	735 11 46-50	SPRING WASHER		1
4	505 52 02-11	CABLE ASSY	230V	1
5	544 90 05-01	CABLE SLEEVE	230V	1
6	531 03 18-76	PLUG	110V	1
7	505 52 02-17	CABLE	110V	1
8	531 03 19-02	SCREW		3
9	531 03 18-85	SPRING		1
10	544 90 06-01	LOCKING BUTTON		1
11	503 21 20-01	SCREW		2
12	531 03 18-87	CLIP		1
13	531 03 18-83	SWITCH		1
14	724 13 27-55	SCREW CRPANM		1
15	531 03 18-81	ENGINE PROTECTION	110V	1
15	531 03 18-82	ENGINE PROTECTION	230V	1
16	544 90 45-01	HANDLE ASSY		1
17	577 52 52-01	NUT		2

B K3000 ELECTRIC



ARMATURE

K3000 Electric, 2007-01

Ref	Part No	Description	Remark	QTY KIT
1	505 53 03-14	RUBBER BUSHING		1
2	503 25 09-01	BEARING		1
3	506 22 50-10	ARMATURE	100 - 120V	1
3	506 22 50-20	ARMATURE	230V	1
4	735 31 33-10	CIRCLIP		1
5	505 53 03-51	SPRING WASHER		1
6	738 22 02-27	BALL BEARING		1
7	505 53 03-16	SPACER		1
8	505 53 03-41	FELT		1
9	505 53 03-52	SPACER		1
10	505 53 03-19	SPACER		1
11	506 09 86-02	PISTON		1
12	503 22 10-08	HEXAGON NUT		1

GEARS

K3000 Electric, 2007-01

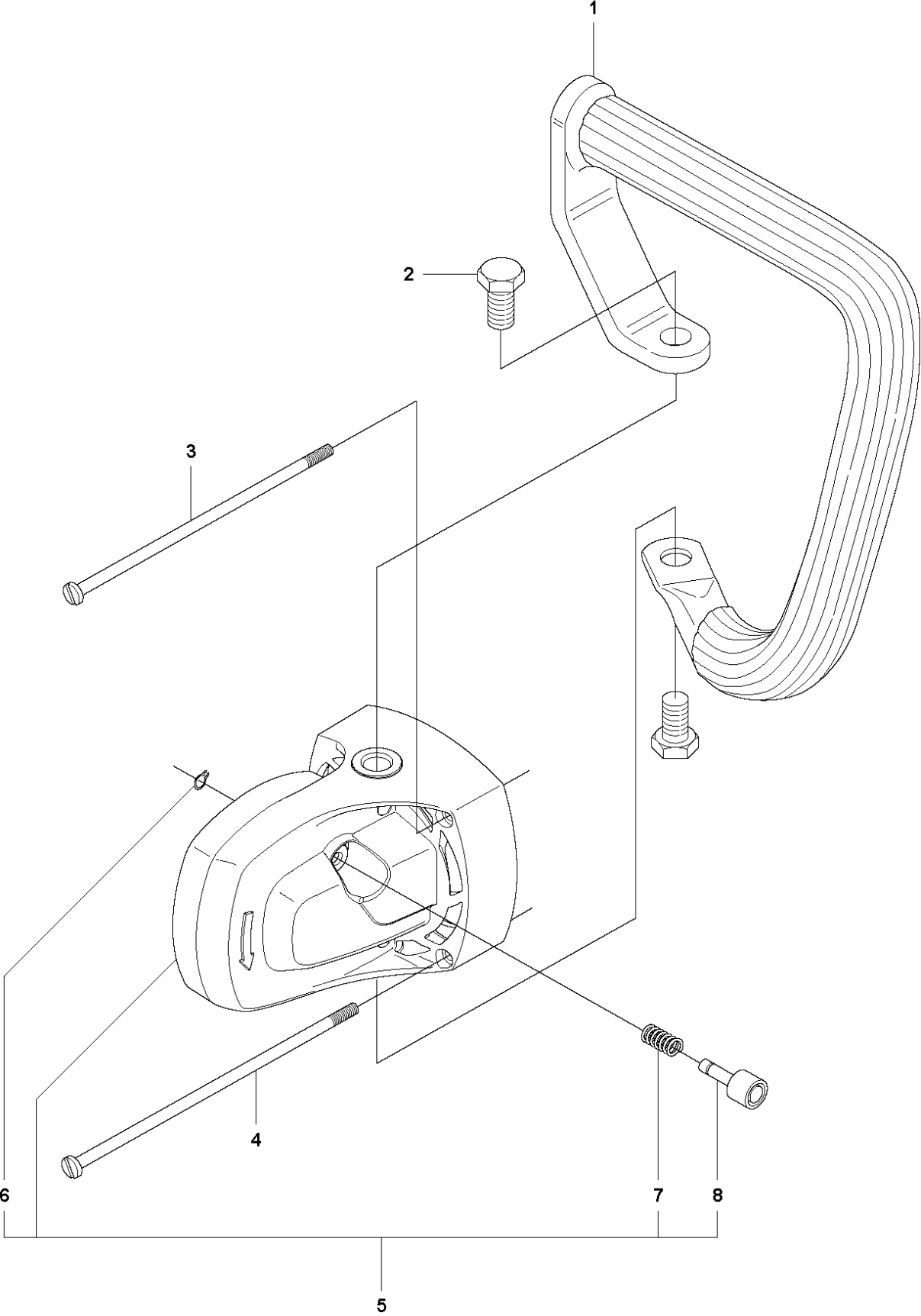
Ref	Part No	Description	Remark	QTY KIT
1	506 13 96-01	SCREW EHHFM		1
2	506 13 95-11	WASHER		1
3	506 02 87-01	FLANGE WASHER		2
4	506 37 96-20	KIT	Diam 20mm	1
4	506 37 96-22	KIT	Diam 22,2mm	1
4	506 37 96-25	KIT	Diam 25,4mm	1
4	506 02 88-30	BUSHING	Diam 30,5mm	1
5	506 32 06-01	SEALING		1
6	725 53 29-55	SCREW IHSCM		3
7	506 26 65-01	FLANGE		1
8	506 30 42-01	SPACER RING	"12"" only"	1
9	506 26 63-02	LINING		1
10	506 26 64-01	SCREEN		1
11	503 20 02-12	SCREW IHSCFM		2
12	544 40 32-01	GEAR SET	Incl. 13, 14, 15, 16, 17, 19	1
13	506 28 84-01	SCREEN		1
14	544 40 33-01	SHAFT		1
15	531 03 19-01	SCREW		4
16	505 53 03-10	GASKET		2
17	531 03 18-75	GEAR WHEEL	Incl. 18	1
18	506 09 86-02	PISTON		1
19	738 22 00-15	BALL BEARING		1

MOTOR HOUSING

K3000 Electric, 2007-01

Ref	Part No	Description	Remark	QTY KIT
1	724 12 87-59	SCREW CRPANM		1
2	735 21 36-01	LOCK WASHER		1
3	734 11 36-01	WASHER		1
4	531 03 18-91	PIPE		1
5	724 12 91-01	SCREW CRPANM		4
6	735 11 36-50	SPRING WASHER		4
7	732 21 14-01	LOCK NUT		2
8	735 11 46-50	SPRING WASHER		2
9	544 90 33-01	LABEL		1
10	544 90 33-02	LABEL		1
11	729 57 76-01	SCREW CCRPANT		1
12	544 90 02-01	LID		1
13	531 03 18-90	MOTOR HOUSING		1
14	544 89 94-01	LID		1
15	505 53 03-11	SCREW		1
16	531 03 18-92	BRUSH HOLDER	Incl. 17, 18	1
17	723 22 85-81	SCREW SLPANM		2
18	506 22 58-02	CARBON BRUSH		2
19	505 53 03-07	AIR STREAM DIRECTOR		1
20	506 22 53-01	SCREW		2
21	506 22 51-10	STATOR ASSY	100 - 120V	1
21	506 22 51-20	STATOR ASSY	230V	1
22	544 98 40-01	LABEL		1
23	506 38 44-15	LABEL	JP	1
23	506 38 43-14	LABEL	USA	1

E K3000 ELECTRIC

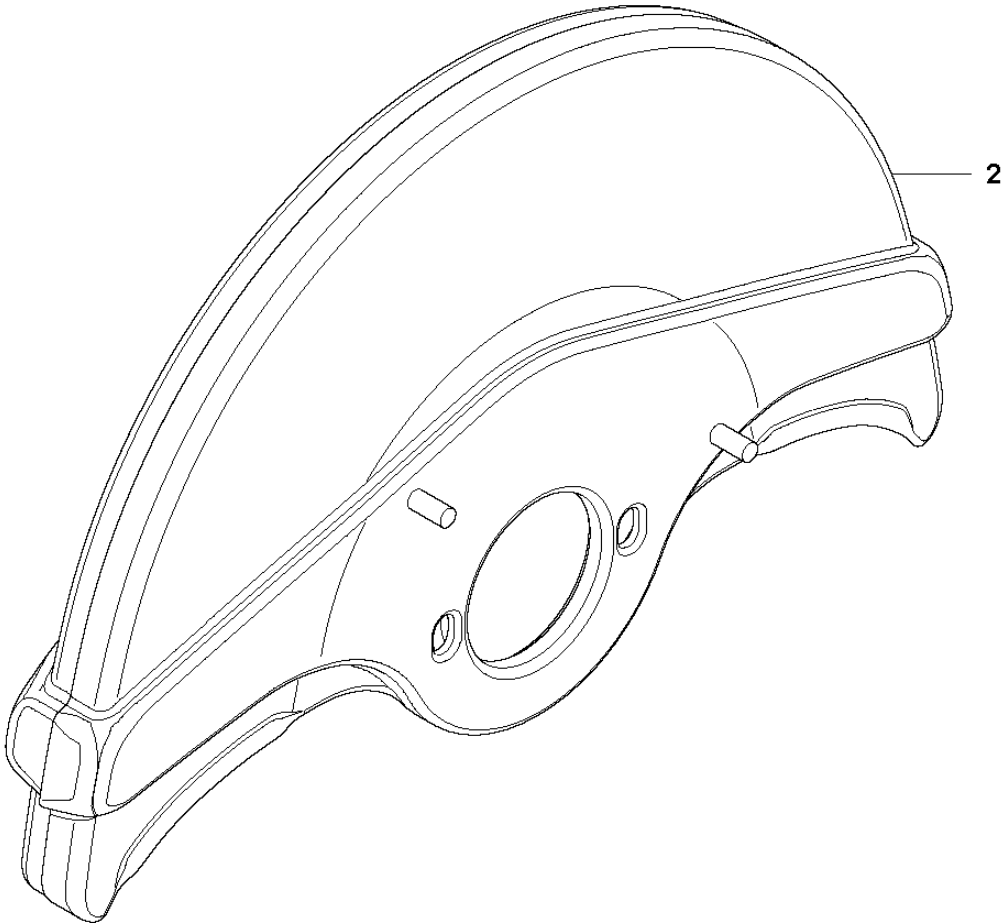
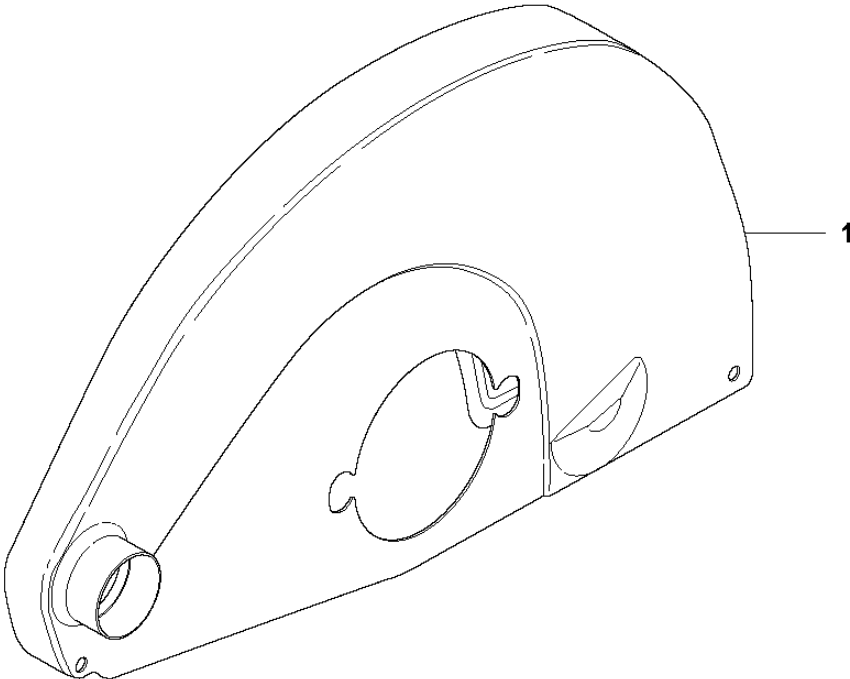


GEAR HOUSING

K3000 Electric, 2007-01

Ref	Part No	Description	Remark	QTY KIT
1	506 15 03-03	HANDLE		1
2	531 03 12-76	SCREW		2
3	505 53 03-11	SCREW		1
4	531 03 18-94	SCREW		1
5	544 40 34-01	GEAR HOUSING	Incl. 6, 7, 8	1
6	735 31 08-00	CIRCLIP		1
7	531 03 18-23	SPRING		1
8	544 90 47-01	SHAFT		1

F K3000 ELECTRIC

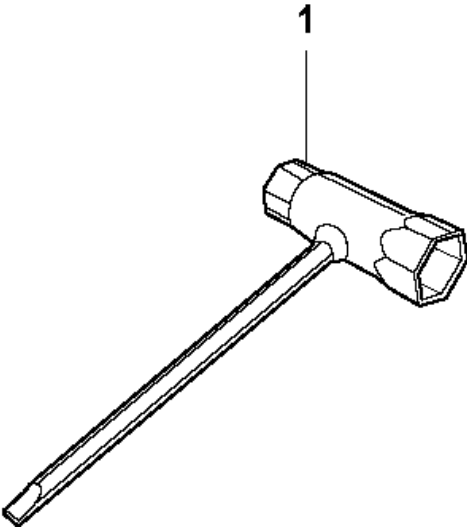


WHEELS & TIRES

K3000 Electric, 2007-01

Ref	Part No	Description	Remark	QTY KIT
1	506 15 00-02	WHEEL GUARD	"12""	1
2	506 26 49-04	WHEEL GUARD	"14""	1

G K3000 ELECTRIC



ACCESSORIES

K3000 Electric, 2007-01

Ref	Part No	Description	Remark	QTY KIT
1	501 69 17-02	KOMBINATIONS VERKTYG		1