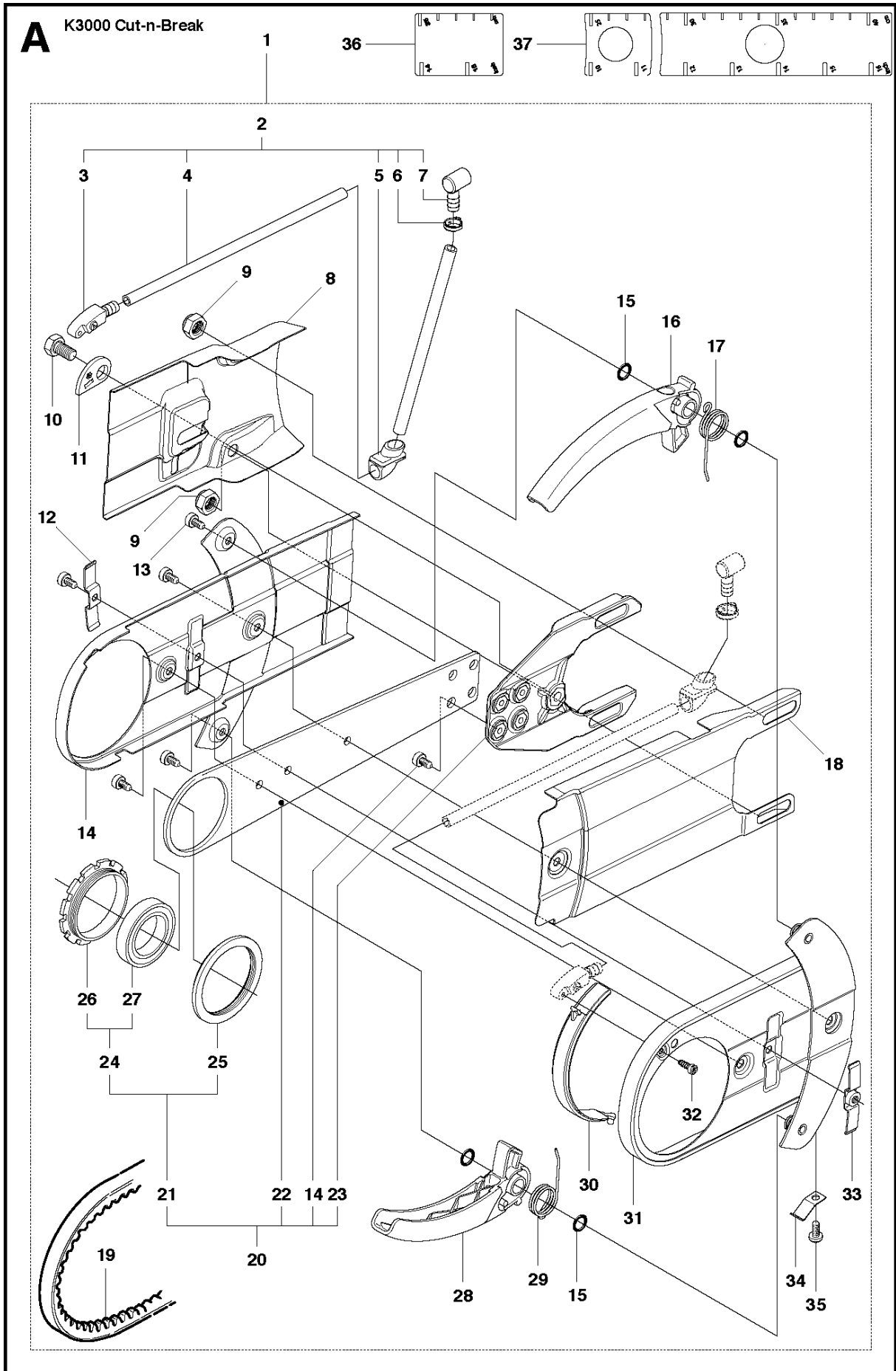




SPARE PARTS LIST

POWER CUTTERS

K3000 Cut-n-Break, 2008-05

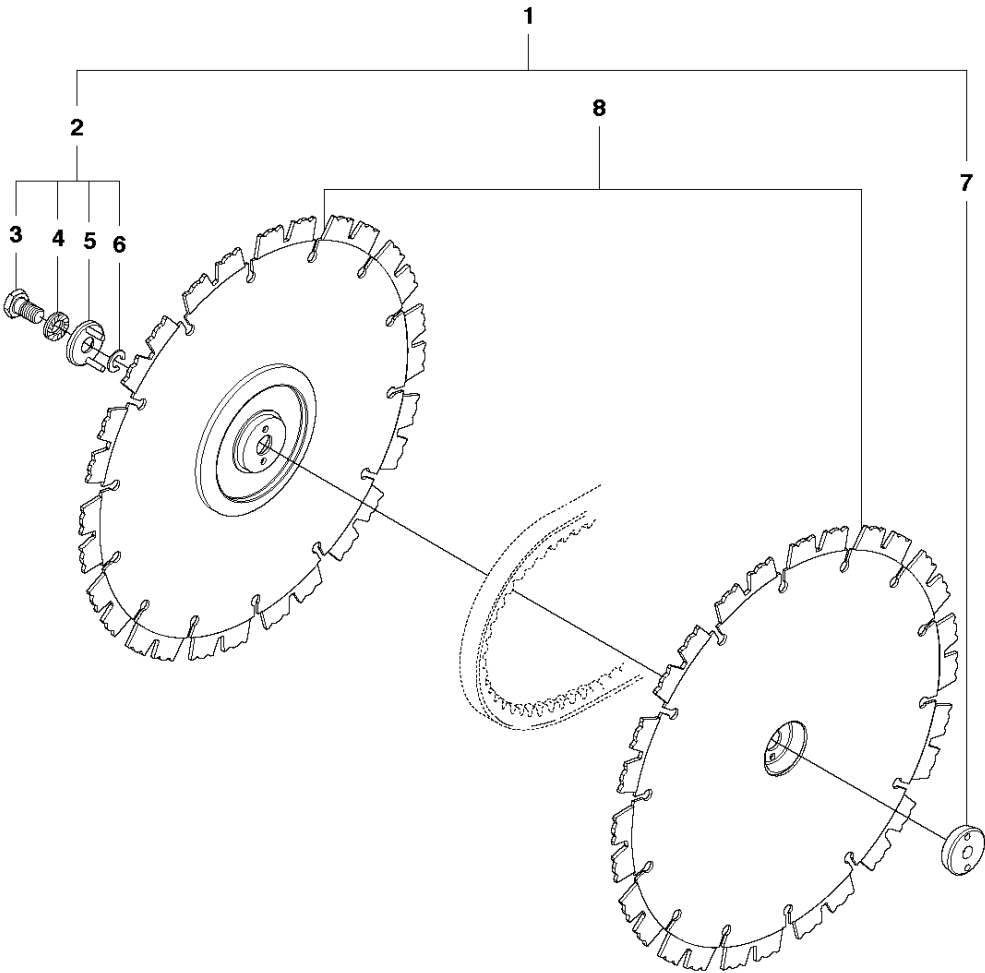


CUTTER ARM

K3000 Cut-n-Break, 2008-05

Ref	Part No	Description	Remark	QTY KIT
1	504 61 31-02	CUTTER ARM		1
2	544 10 50-05	HOSE		1
3	506 40 58-01	NIPPLE		1
4	544 04 17-02	HOSE		1
5	506 40 57-02	GROMMET		1
6	506 09 56-05	HOSE CLAMP		1
7	506 40 98-02	NIPPLE		1
8	544 95 24-01	BELT GUARD		1
9	731 23 18-01	HEXAGON NUT		2
10	725 24 45-71	SCREW EHHM		1
11	544 42 98-01	ECCENTRIC		1
12	506 40 56-01	DEFLECTION LIMITER		1
13	503 21 53-10	SCREW ITXSCM		9
14	544 42 15-01	BELT GUARD ASSY		1
15	503 26 30-08	O-RING		4
16	506 40 64-03	BLADE GUARD		1
17	506 40 61-01	SPRING		1
18	544 42 14-01	BELT GUARD ASSY		1
19	506 37 27-20	BELT		1
20	544 10 37-04	BAR		1
21	504 14 25-01	KIT		1
22	506 40 53-01	BAR		1
23	504 62 31-01	BAR BRACKET		1
24	544 10 57-03	BEARING CAGE		1
25	506 40 29-02	BUSHING		1
26	506 40 28-02	BEARING CAGE		1
27	544 10 59-01	BEARING		1
28	506 40 65-02	BLADE GUARD		1
29	506 40 61-02	SPRING		1
30	506 40 59-01	SEALING		1
31	506 40 46-02	WEAR PROTECTION		1
32	503 21 28-10	SCREW CCRPANT		1
33	506 40 56-02	DEFLECTION LIMITER		1
34	506 40 51-01	STOP		1
35	724 12 84-01	SCREW CRPANM		1
36	544 37 44-02	LABEL		1
37	505 47 37-01	LABEL		1

B K3000 Cut-n-Break
CUTTING BLADE

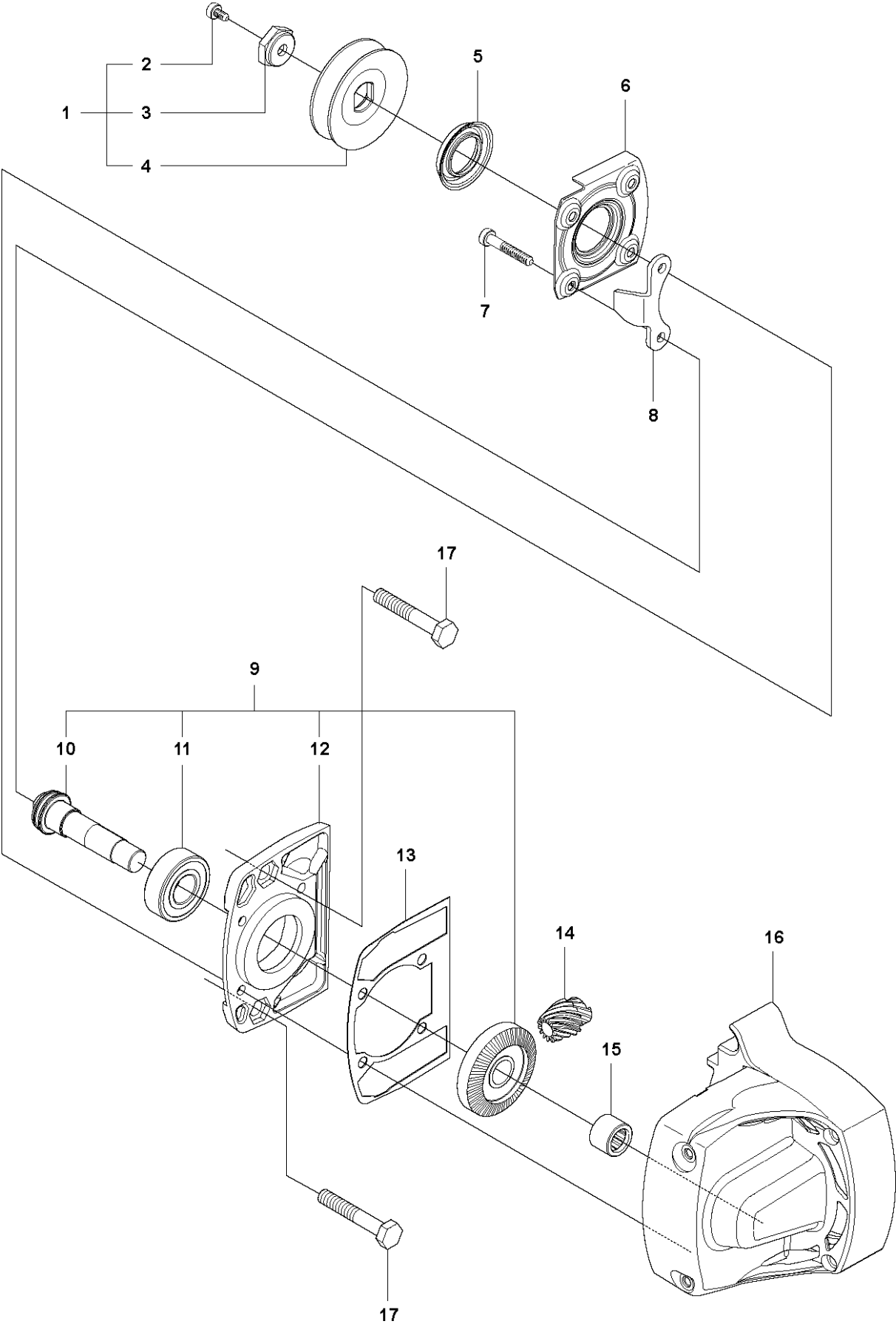


CUTTING BLADE

K3000 Cut-n-Break, 2008-05

Ref	Part No	Description	Remark	QTY KIT
1	501 00 88-02	SCREW KIT	Incl. 2, 7	1
2	501 00 88-01	SCREW KIT		1
3	506 40 25-01	SCREW		1
4	503 23 04-03	WASHER		1
5	544 26 53-01	WASHER		1
6	735 31 10-41	RETAINING RING		1
7	506 40 24-01	CENTRE NUT		1
8	543 08 88-20	DIAMOND BLADE	EL20CB Soft	2
8	543 08 88-23	DIAMOND BLADE	EL45CB Medium	2
8	531 15 59-02	DIAMOND BLADE	EL70CB Hard	2

C K3000 Cut-n-Break

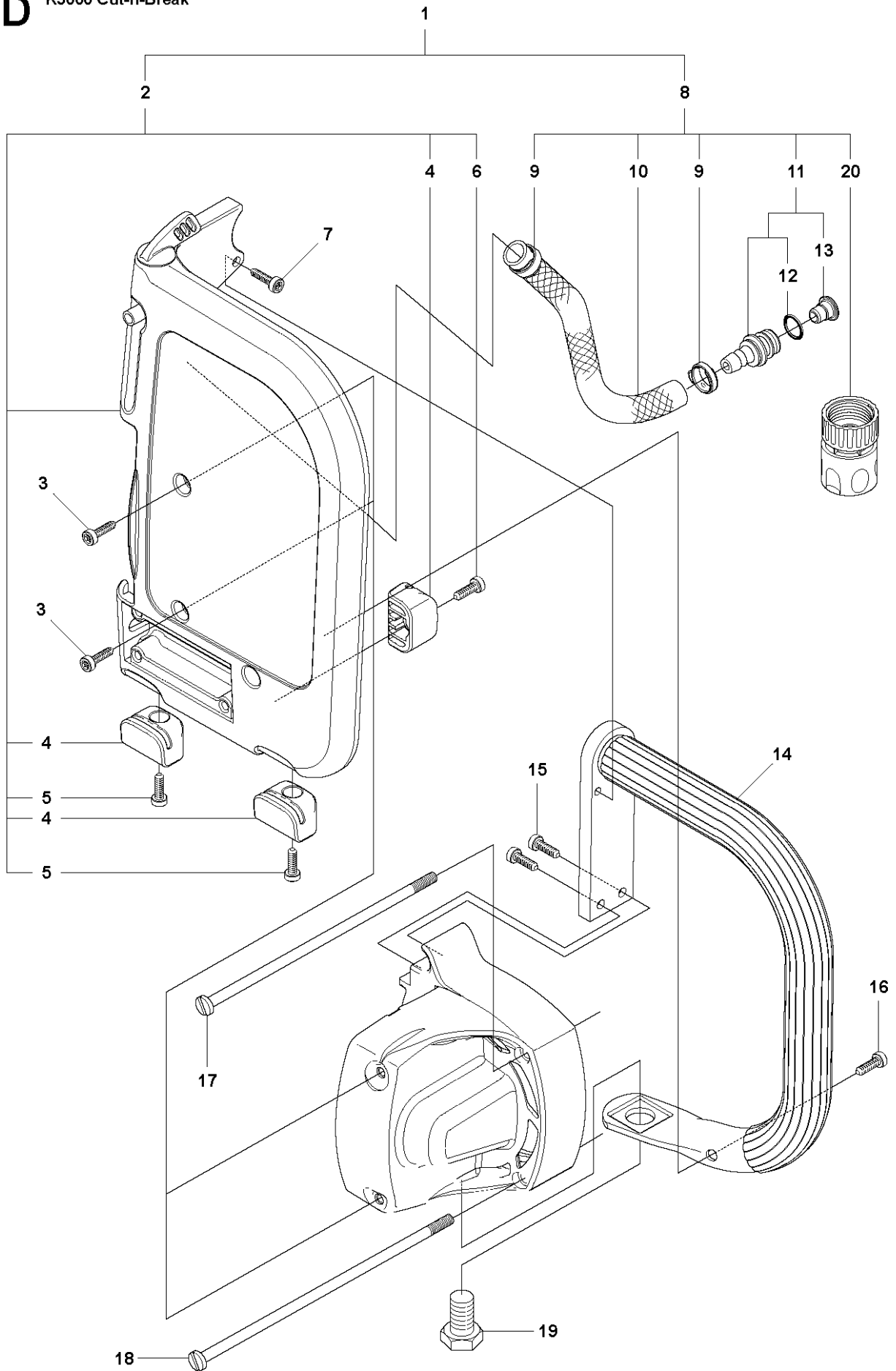


GEAR HOUSING

K3000 Cut-n-Break, 2008-05

Ref	Part No	Description	Remark	QTY KIT
1	505 40 29-01	DRIVING PULLEY ASSY	Incl. 2 - 4	1
2	544 06 12-01	SCREW ITXSCM		1
3	504 03 83-01	SPACING SLEEVE		1
4	544 43 39-01	DRIVING PULLEY		1
5	506 32 06-01	SEALING		1
6	544 43 41-01	FLANGE		1
7	503 21 53-25	SCREW ITXSCM		4
8	544 43 37-01	BRACKET		1
9	544 42 66-01	GEAR SET	Incl. 10 - 12	1
10	544 42 64-01	GEAR WHEEL SHAFT		1
11	503 25 21-01	BALL BEARING		1
12	544 42 65-01	GEAR CASE COVER		1
13	504 11 03-03	GASKET		1
14	505 45 41-01	PINION		1
15	503 25 53-01	NEEDLE BEARING		1
16	544 42 63-01	GEAR HOUSING		1
17	725 24 53-71	SCREW EHHM		2

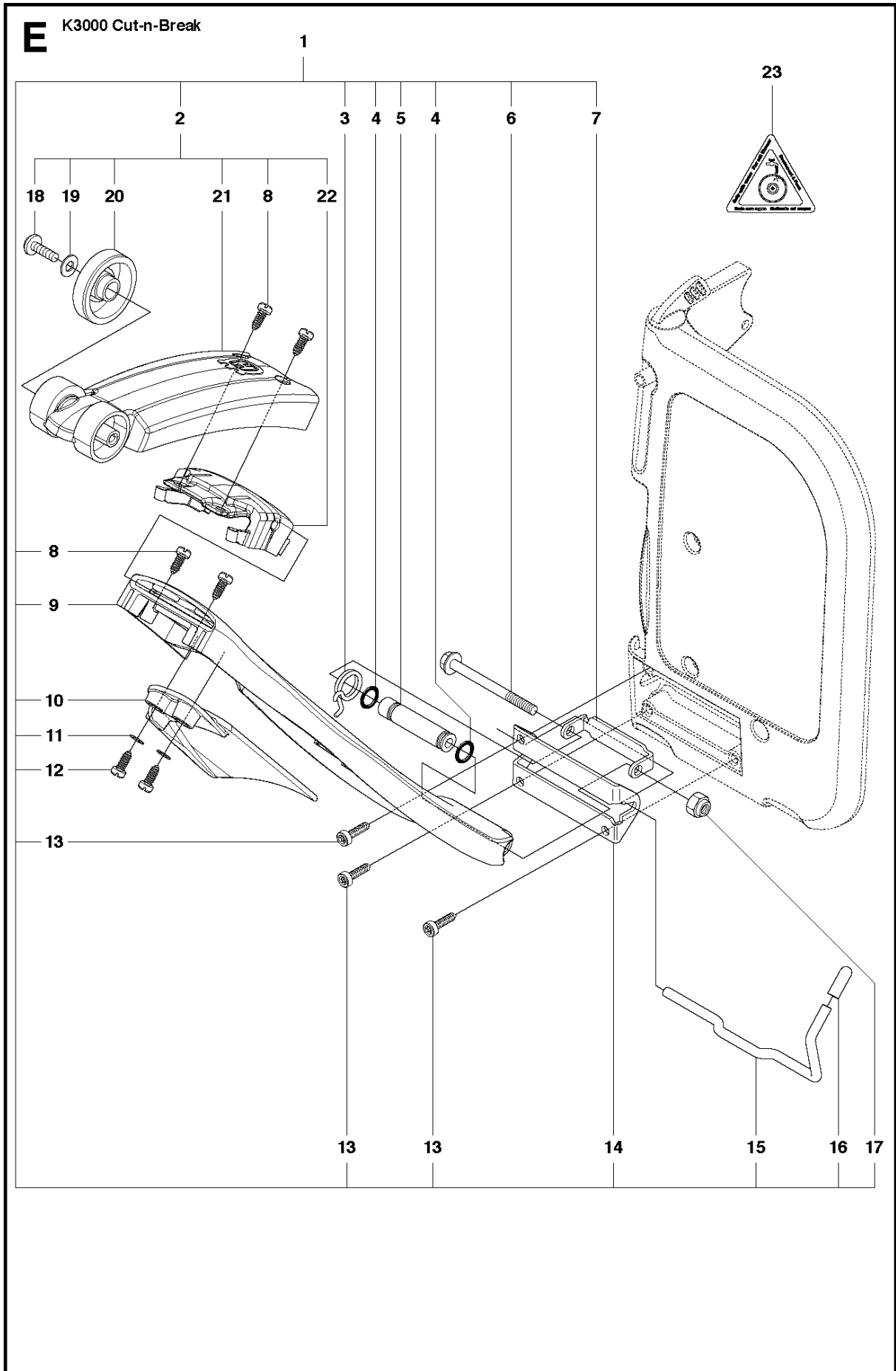
D K3000 Cut-n-Break



FENDER

K3000 Cut-n-Break, 2008-05

Ref	Part No	Description	Remark	QTY KIT
1	504 61 28-02	FENDER	Incl. 2, 8	1
2	504 61 28-03	FENDER	Incl. 4 - 6	1
4	544 98 32-01	GROUND SUPPORT		3
5	504 90 94-14	SCREW ITXSCT		2
6	504 90 94-10	SCREW ITXSCT		1
7	503 21 53-10	SCREW ITXSCM		1
8	506 29 31-03	WATER HOSE KIT	Incl. 9 - 11, 20	1
9	506 09 56-06	HOSE CLAMP		2
10	506 09 75-11	HOSE		1
11	506 29 57-03	NIPPLE	Incl. 13	1
12	503 26 30-21	O-RING		1
13	544 89 53-01	RESTRICTION		1
14	540 01 83-01	FRONT HANDLE ASSY		1
15	503 21 53-16	SCREW ITXSCM		4
16	504 90 94-25	SCREW ITXSCT		1
17	505 53 03-11	SCREW		1
18	531 03 18-94	SCREW		1
19	531 03 12-76	SCREW		1
20	503 26 60-03	COUPLER		1

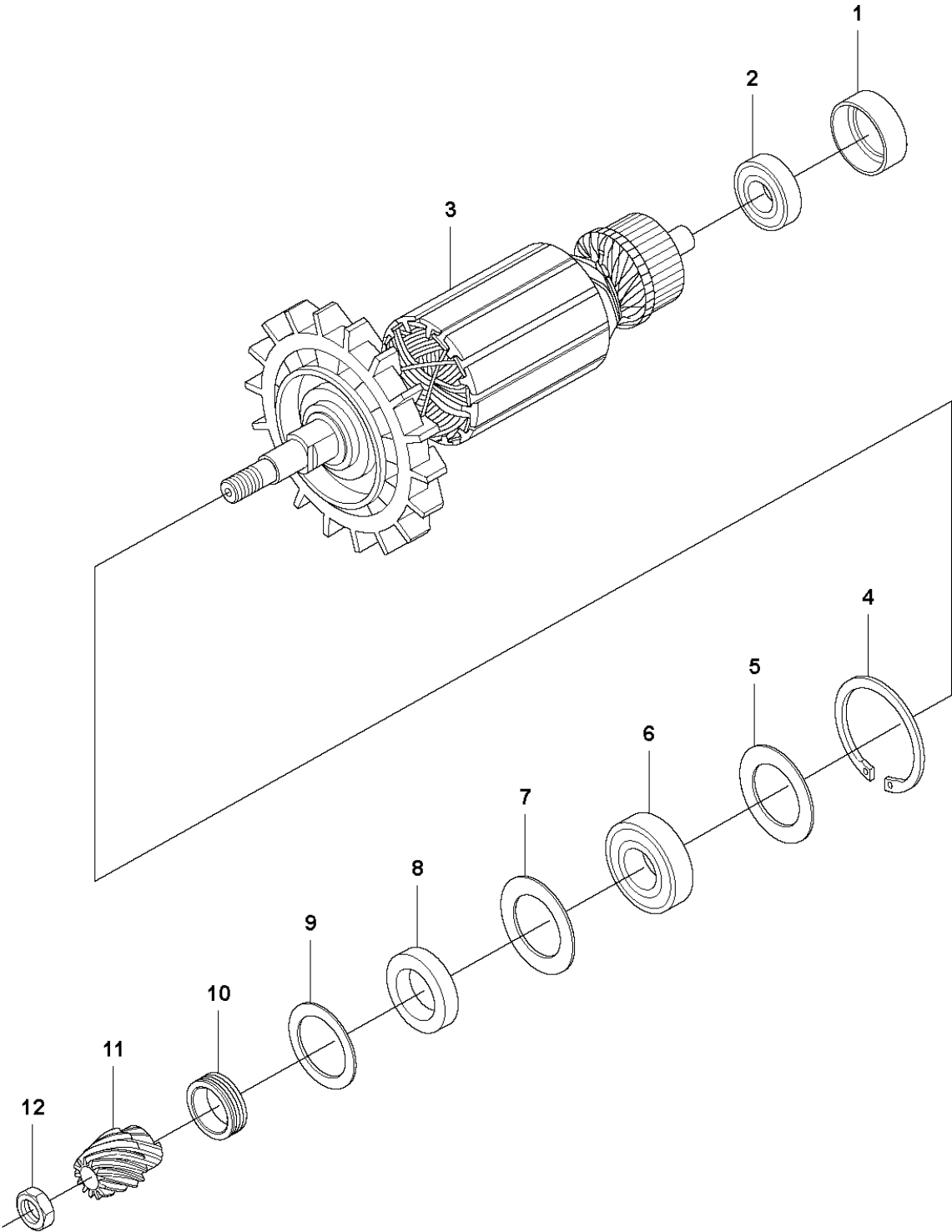


SPRAY SYSTEM

K3000 Cut-n-Break, 2008-05

Ref	Part No	Description	Remark	QTY KIT
1	504 61 29-02	SPRAY GUARD	Incl. 2 - 17	1
2	510 05 66-01	SPRAY GUARD	Incl. 8, 18 - 22	1
3	506 40 60-01	SPRING		1
4	740 42 05-00	O-RING		2
5	506 40 37-01	BUSHING		1
6	503 20 00-01	SCREW EHHFM		1
7	544 98 06-01	RETAINER		1
8	503 21 27-16	SCREW CRPANT		4
9	544 97 60-01	SPRAY GUARD		1
10	504 04 94-01	SPRAY GUARD		1
11	503 23 00-11	WASHER		2
12	503 21 27-10	SCREW CRPANT		2
13	504 90 94-14	SCREW ITXSCT		3
14	544 97 99-01	SEAT		1
15	544 97 98-01	ROCKER LEVER		1
16	505 38 88-01	COVER LID		1
17	732 21 14-01	LOCK NUT		1
18	503 21 46-01	SCREW		2
19	734 48 80-01	WASHER		2
20	506 26 22-02	WHEEL		2
21	510 00 72-01	SPRAY GUARD		1
22	510 00 73-01	GUIDE PIECE		1
23	504 79 36-01	LABEL		1

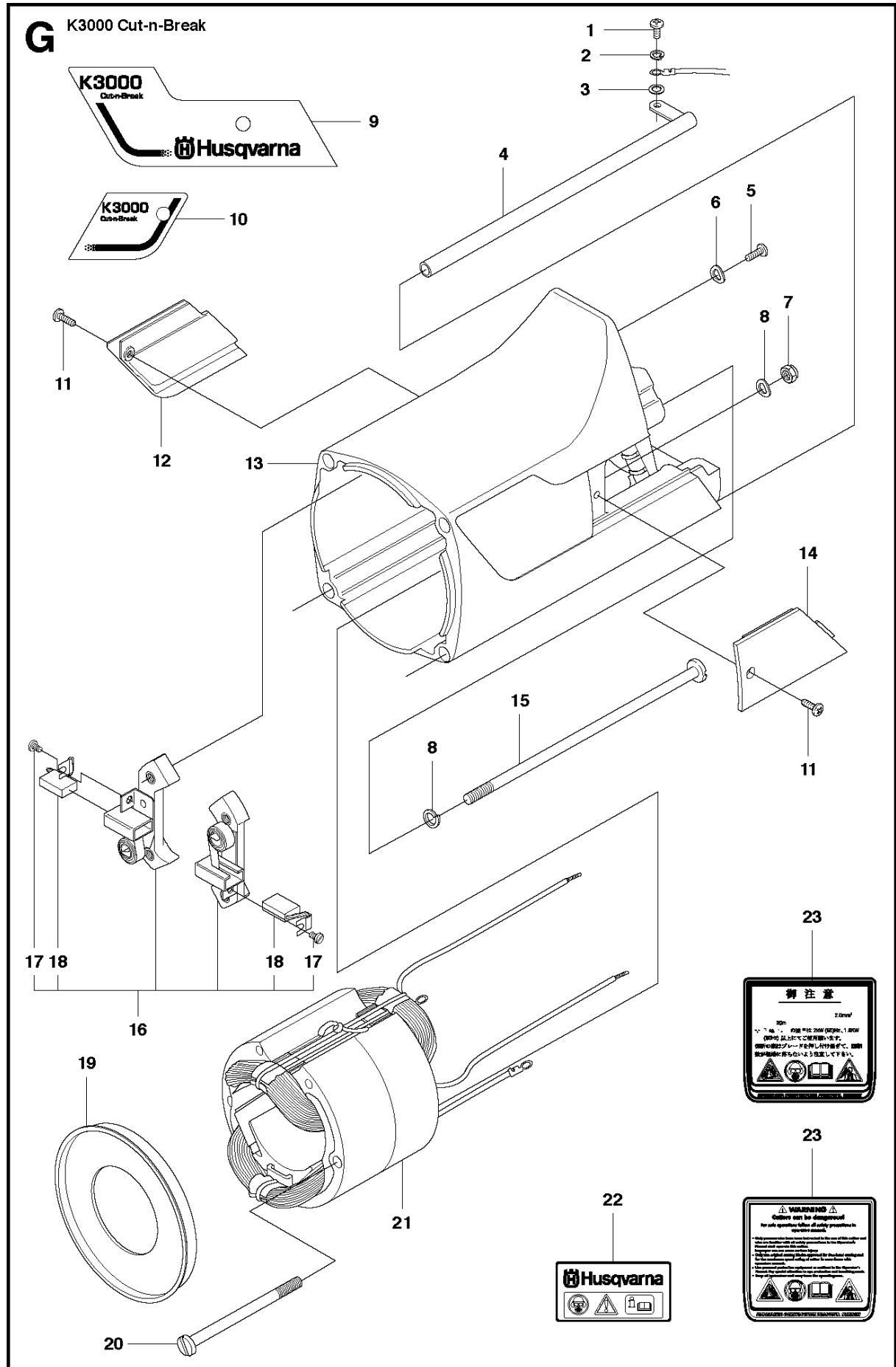
F K3000 Cut-n-Break



ARMATURE

K3000 Cut-n-Break, 2008-05

Ref	Part No	Description	Remark	QTY KIT
1	505 53 03-14	RUBBER BUSHING		1
2	503 25 09-01	BALL BEARING		1
3	506 22 50-10	ARMATURE	100 - 120V	1
3	506 22 50-20	ARMATURE	230V	1
4	735 31 33-10	CIRCLIP		1
5	506 04 48-01	WASHER		1
6	738 22 02-27	BALL BEARING		1
7	505 53 03-16	SPACER		1
8	505 53 03-41	FELT JOINT		1
9	505 53 03-52	SPACER		1
10	505 53 03-19	SPACER		1
11	505 45 41-01	PINION		1
12	503 22 10-08	HEXAGON NUT		1

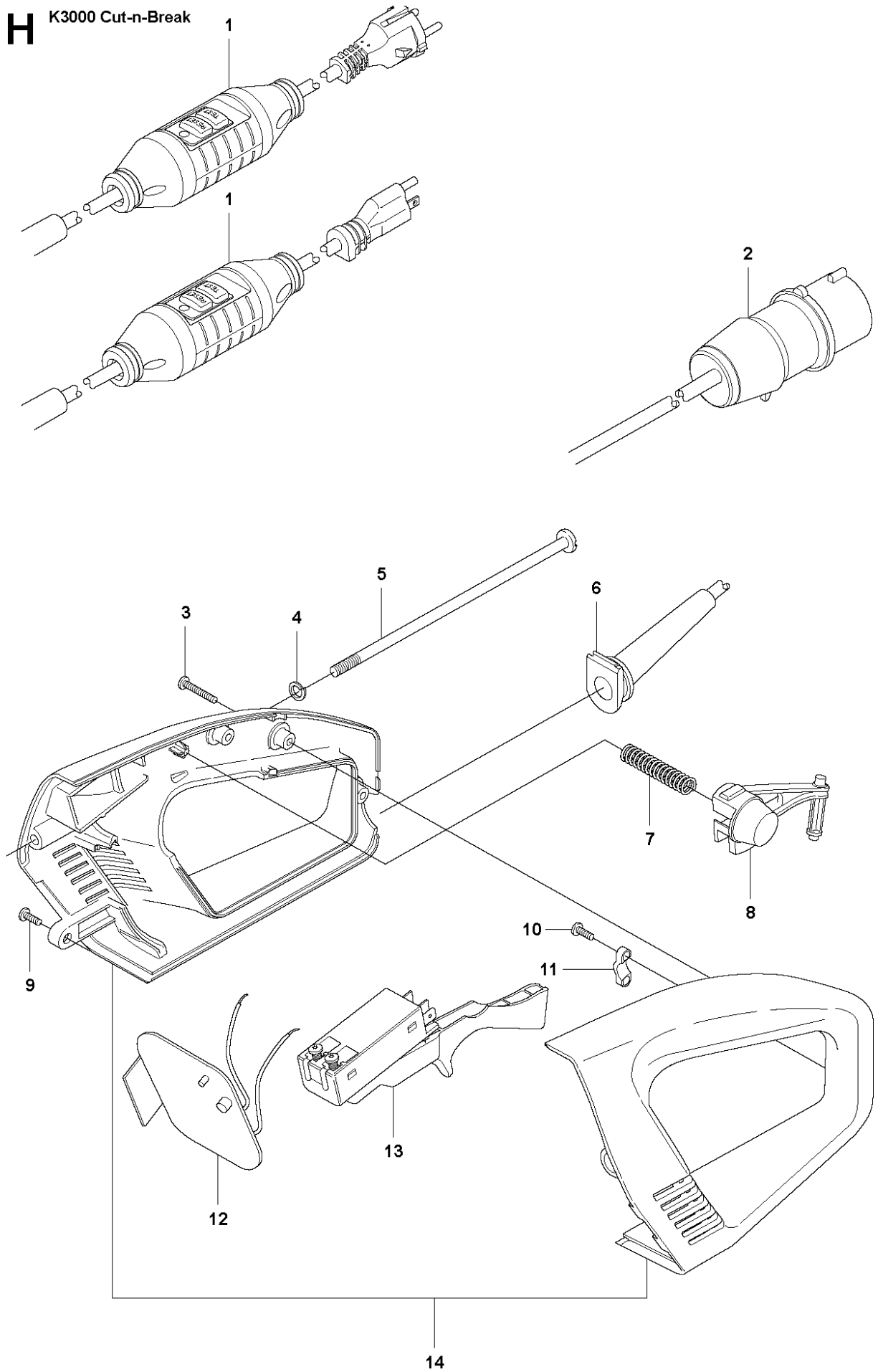


MOTOR HOUSING

K3000 Cut-n-Break, 2008-05

Ref	Part No	Description	Remark	QTY KIT
1	724 12 87-59	SCREW CRPANM		1
2	735 21 36-01	LOCK WASHER		1
3	734 11 36-01	WASHER		1
4	531 03 18-91	PIPE		1
5	724 12 91-01	SCREW CRPANM		4
6	735 11 36-50	SPRING WASHER		4
7	732 21 14-01	LOCK NUT		2
8	735 11 46-50	SPRING WASHER		2
9	544 90 33-03	LABEL		1
10	544 90 33-04	LABEL		1
11	729 57 76-01	SCREW CRPANT		1
12	544 90 02-01	LID		1
13	531 03 18-90	MOTOR HOUSING		1
14	544 89 94-01	LID		1
15	505 53 03-11	SCREW		1
16	531 03 18-92	BRUSH HOLDER	Incl. 17, 18	1
17	723 22 85-81	SCREW SLPANM		2
18	506 22 58-02	CARBON BRUSH		2
19	505 53 03-07	AIR STREAM DIRECTOR		1
20	506 22 53-01	SCREW		2
21	506 22 51-10	STATOR ASSY	100 - 120V	1
21	506 22 51-20	STATOR ASSY	230V	1
22	544 98 40-01	LABEL WARNING		1
23	506 38 44-15	LABEL	JP	1
23	506 38 43-24	LABEL	USA	1

H K3000 Cut-n-Break

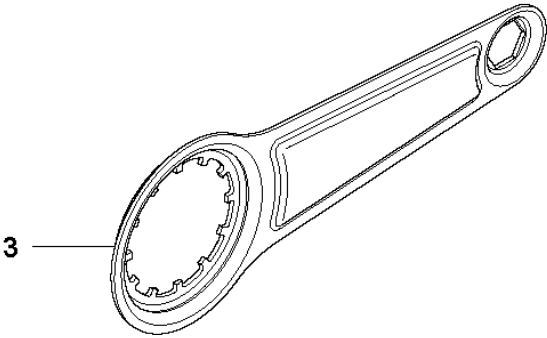
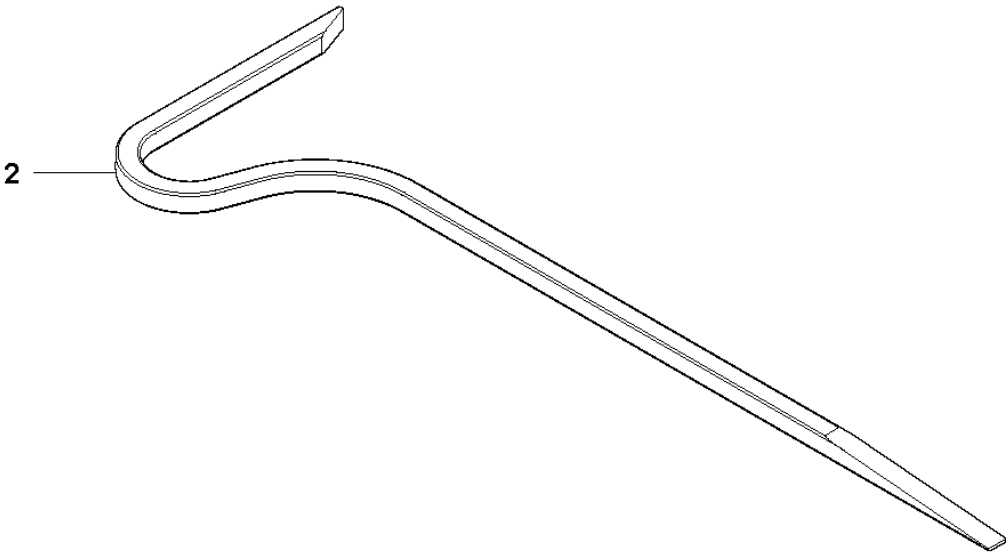
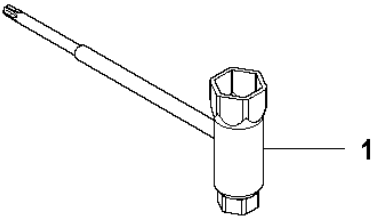


ELECTRICAL

K3000 Cut-n-Break, 2008-05

Ref	Part No	Description	Remark	QTY KIT
1	505 44 33-03	CABLE	230V	1
1	510 18 13-02	CABLE	110V JP, USA	1
2	510 18 14-01	CABLE	110V UK	1
3	531 03 19-02	SCREW		3
4	735 11 46-50	SPRING WASHER		1
5	505 53 03-11	SCREW		1
6	544 90 05-01	CABLE SLEEVE	230V	1
7	531 03 18-85	SPRING		1
8	544 90 06-01	LOCKING BUTTON		1
9	724 13 27-55	SCREW CRPANM		1
10	503 21 20-01	SCREW		2
11	531 03 18-87	CLIP		1
12	531 03 18-81	ENGINE PROTECTION	110V	1
12	531 03 18-82	ENGINE PROTECTION	230V	1
13	531 03 18-83	SWITCH		1
14	544 90 45-01	HANDLE ASSY		1

J K3000 Cut-n-Break
Accessories
Zubehöre
Accessoires
Acessorios
Tillbehör



TOOLS

K3000 Cut-n-Break, 2008-05

Ref	Part No	Description	Remark	QTY KIT
1	506 38 26-01	COMBINATION TOOL		1
2	544 17 80-02	TOOL		1
3	544 17 81-01	PULLER		1