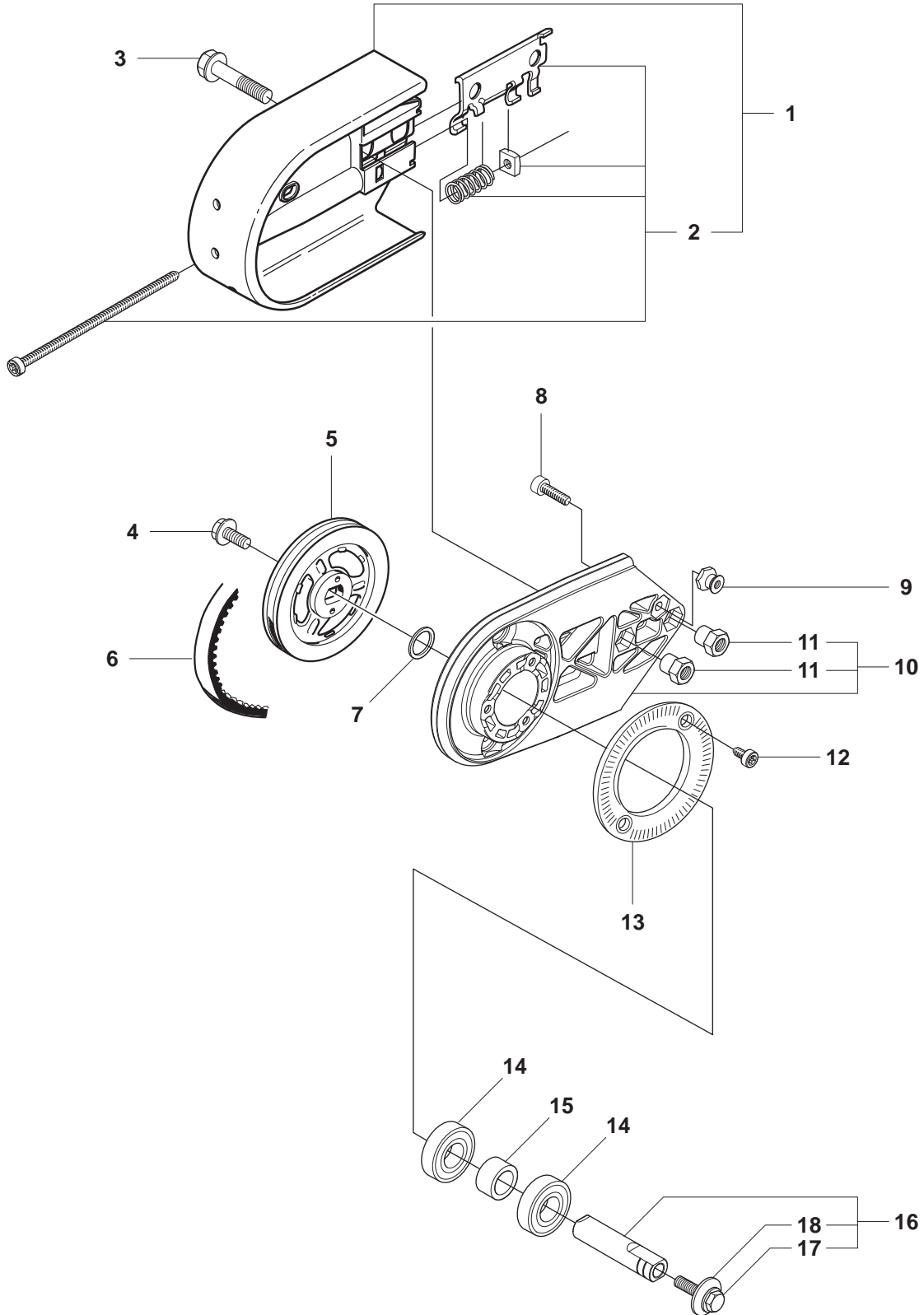


K1250
K1250 RAIL

Reservdelar
Spare parts
Ersatzteile
Pieces de rechange
Piezas de repuesto
Ricambi
Peças sobresselente

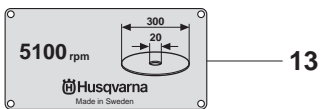
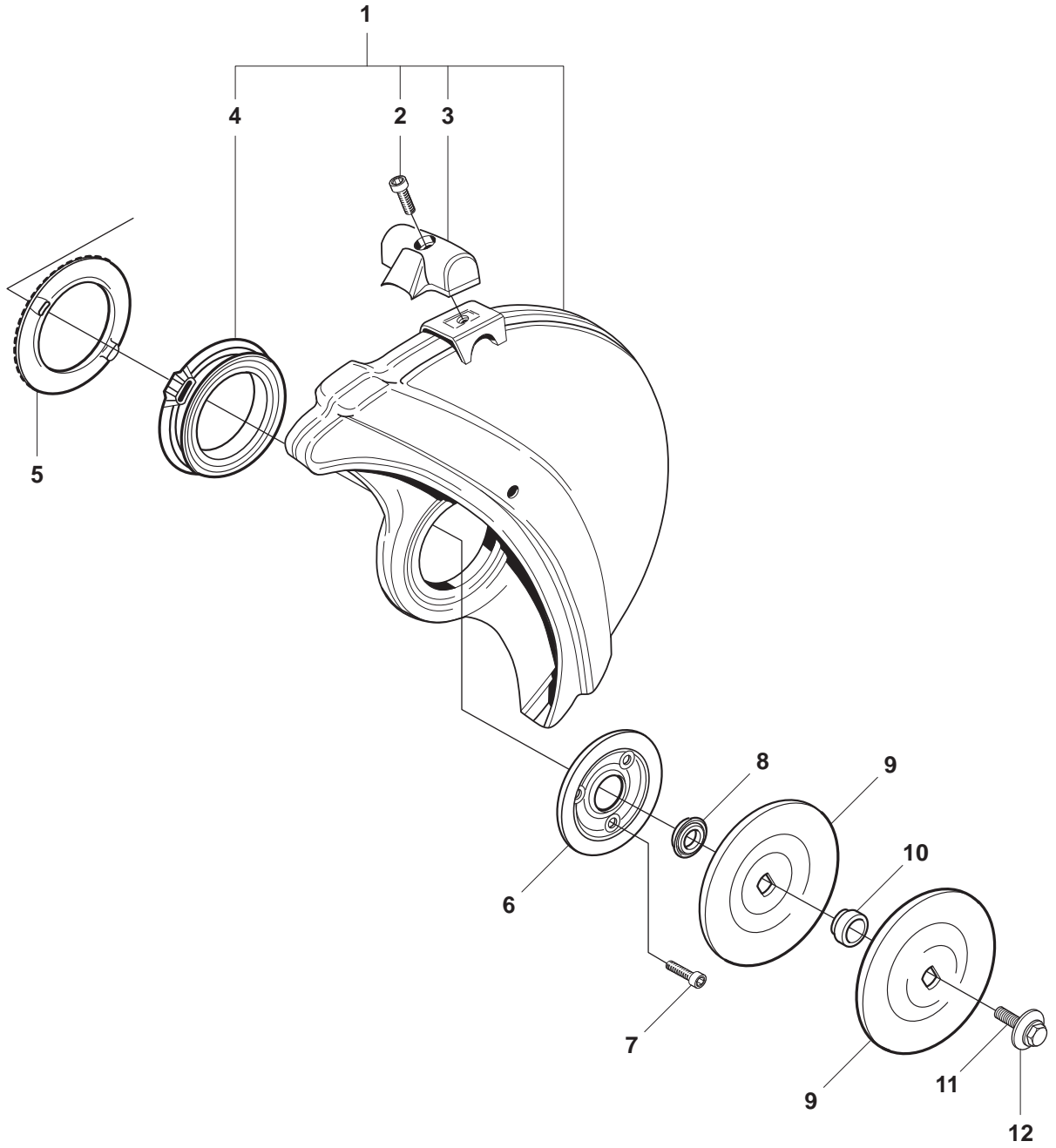
A K1250



Page A
K1250, K1250 Rail

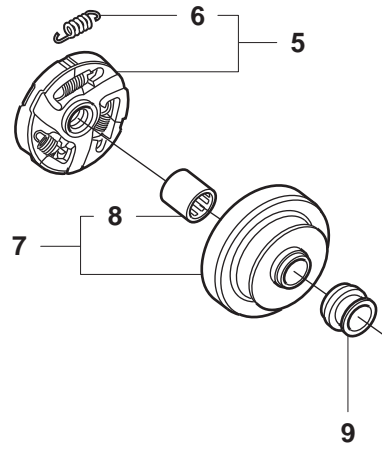
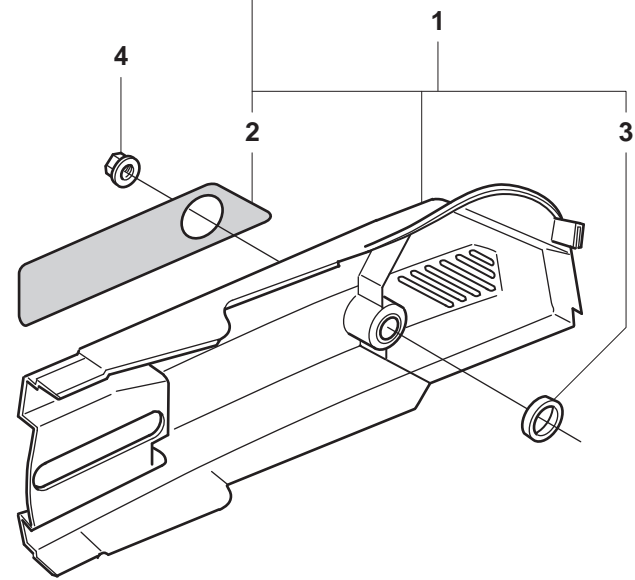
Pos.	Part No.	Description	Quantity	Notes
1	506 27 92-02	BELT GUARD	1	Incl. 2
2	506 26 66-03	BELT TENSIONER ASSY	1	
3	506 28 44-01	COLLAR SCREW	2	
4	503 20 00-45	SCREW COLLAR	1	
5	506 07 18-02	PULLEY	1	
6	506 37 27-07	BELT	2	
7	503 23 01-04	WASHER STEEL	1	
8	725 53 29-55	SCREW	1	
9	506 14 32-01	TORSION STOP	1	
10	506 26 35-13	BEARING HOUSING	1	Incl. 11
11	506 28 73-01	NUT	2	
12	503 20 07-12	SCREW	2	
13	506 28 84-01	SCREEN PATTERN FLANG	1	
14	503 25 21-01	BALL BEARING	2	
15	506 07 08-01	SPACING SLEEVE	1	
16	506 29 83-63	SHAFT	1	Incl. 17, 18
17	506 13 96-01	COLLAR SCREW	1	
18	506 13 95-11	WASHER	1	

B K1250



Page B**K1250, K1250 Rail**

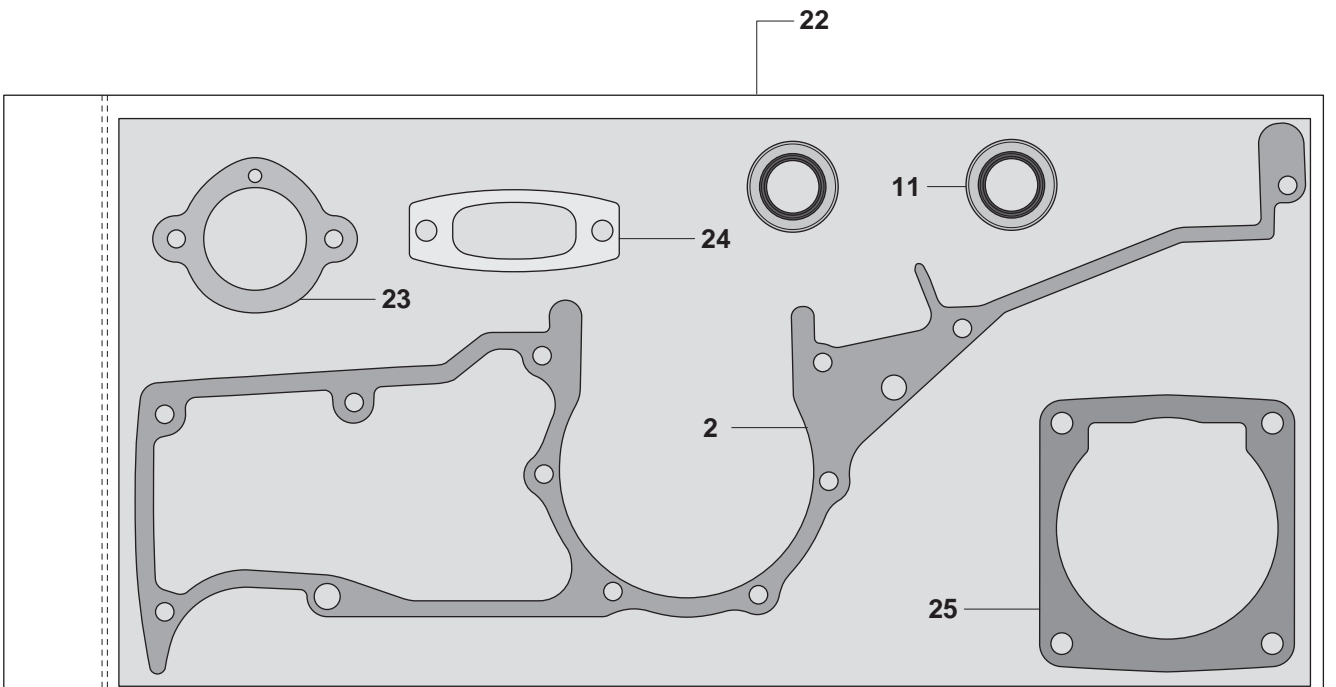
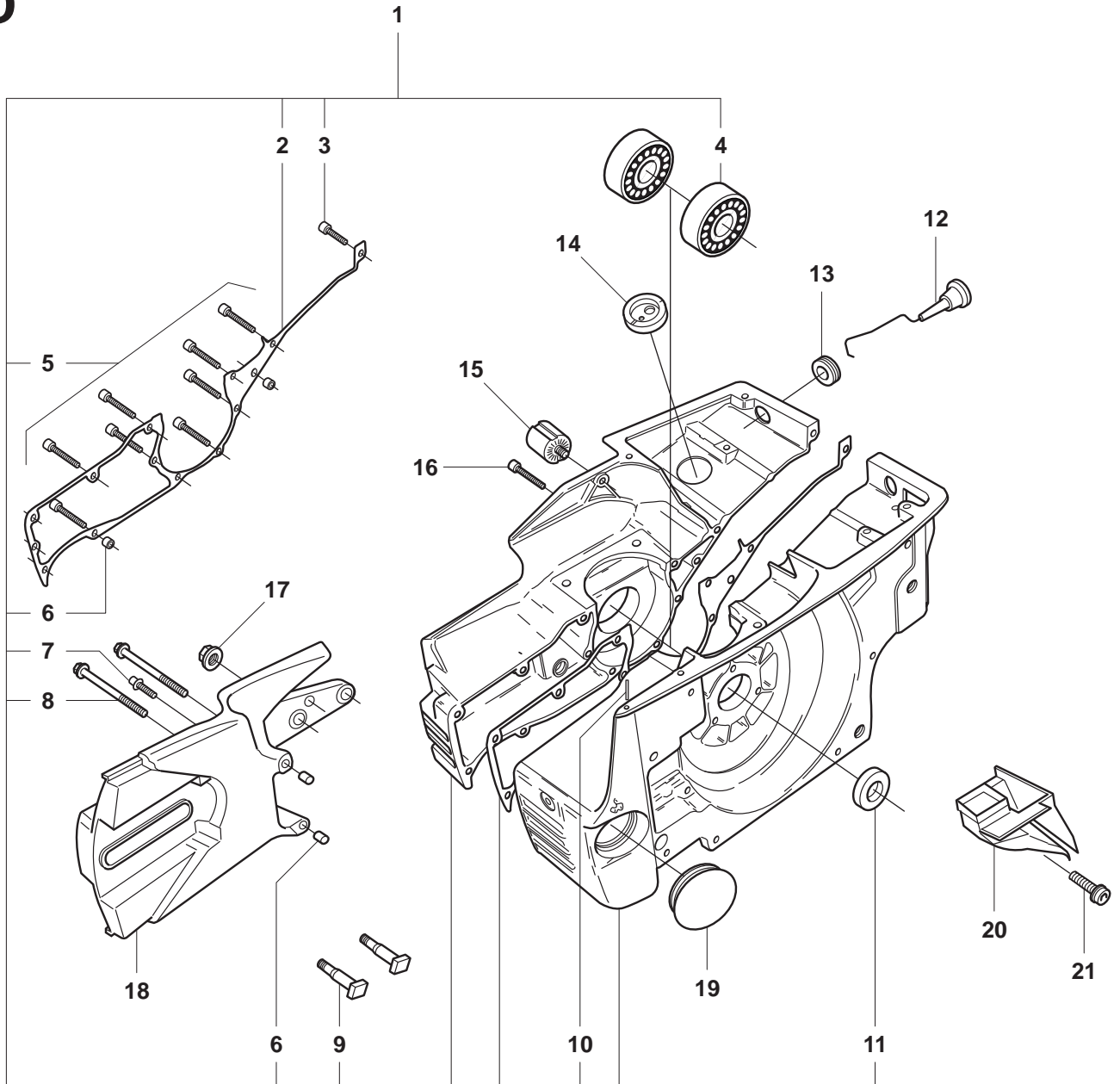
Pos.	Part No.	Description	Quantity	Notes
1	506 34 05-04	WHEEL GUARD ASSY	1	14"
1	506 34 05-06	WHEEL GUARD ASSY	1	16"
2	725 53 31-55	SCREW	1	
3	506 34 46-02	HANDLE	1	
4	506 26 63-02	LINING	1	
5	506 26 64-01	SCREEN PATTERN FLANG	1	
6	506 26 65-01	FLANGE	1	
7	725 53 29-55	SCREW	3	
8	506 32 48-01	SUPPORT FLANGE	1	K1250 A
8	506 26 71-01	SUPPORT FLANGE	1	K1250 Rail
9	506 02 87-01	FLANGE WASHER	1	Diam 105 mm
9	506 07 09-01	WASHER	1	Diam 119 mm
10	506 37 96-20	BUSHING	1	Diam 20 mm
10	506 37 96-22	BUSHING	1	Diam 22,2 mm
10	506 37 96-25	BUSHING	1	Diam 25 mm
10	506 02 88-30	BUSHING	1	Diam 30,5 mm
11	506 13 95-11	WASHER	1	
12	506 13 96-01	COLLAR SCREW	1	
13	506 28 41-12	LABEL	1	14". Diam 20mm
13	506 28 41-11	LABEL	1	14". Diam 22,2 mm
13	506 28 41-14	LABEL	1	14". Diam 25,4mm
13	506 28 41-22	LABEL	1	16". Diam 20mm
13	506 28 41-21	LABEL	1	16". Diam 22,2mm
13	506 28 41-24	LABEL	1	16". Diam 25,4mm



Page C
K1250, K1250 Rail

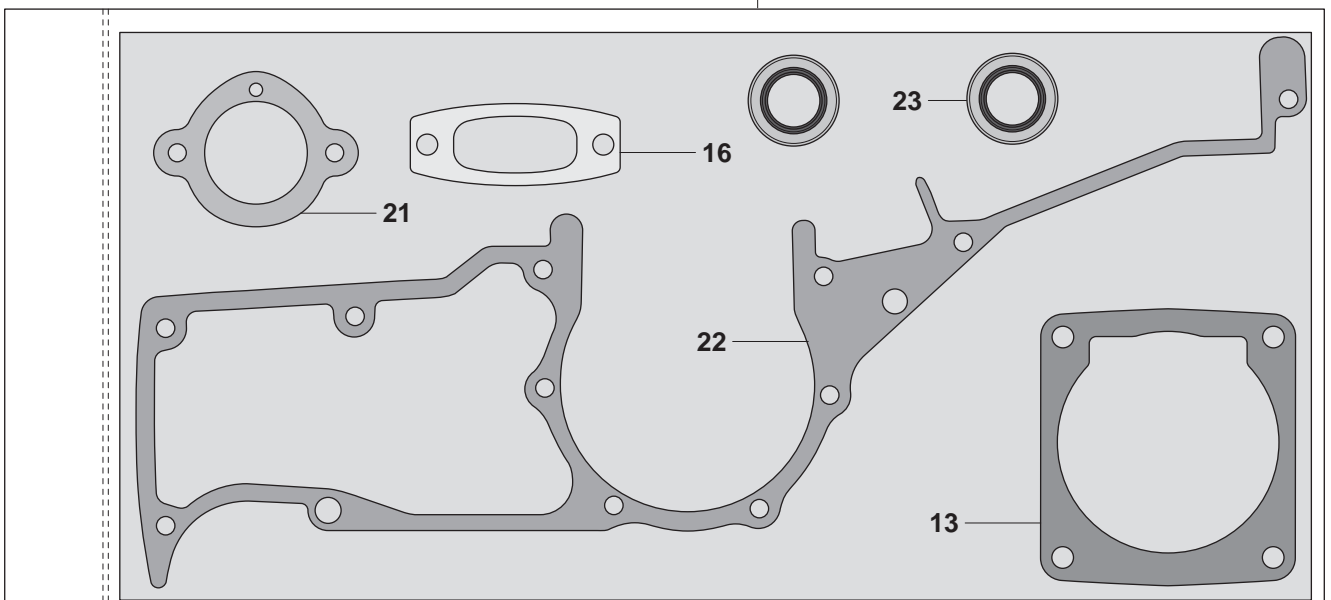
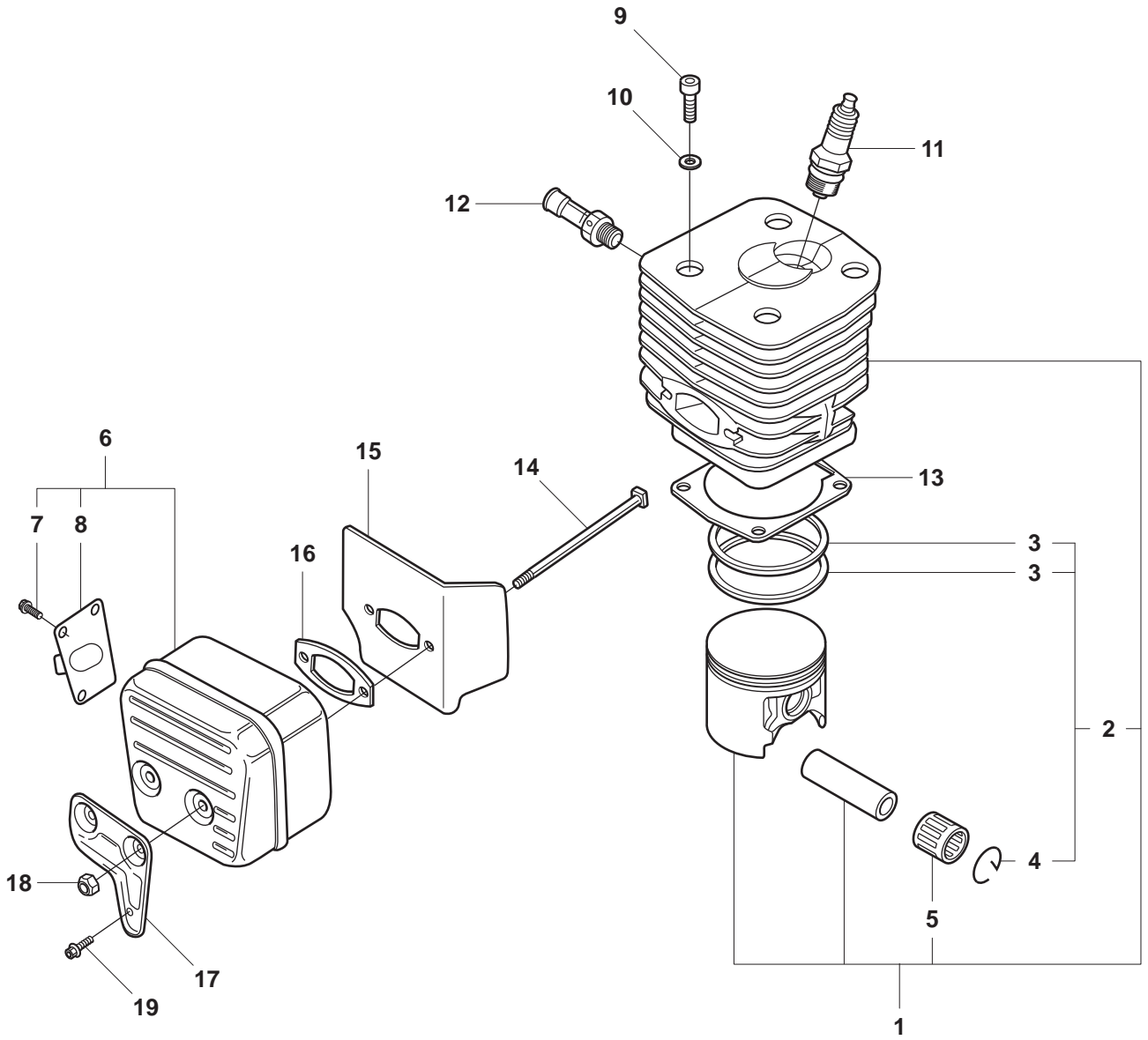
Pos.	Part No.	Description	Quantity	Notes
1	506 27 17-03	BELT GUARD	1	Incl. 2, 3
2	544 87 36-01	LABEL	1	
3	506 26 84-01	SPACING SLEEVE	1	
4	503 22 00-01	NUT FLANGE	1	
5	503 14 49-01	CLUTCH ASSY	1	Incl. 6
6	503 14-51-01	CLUTCH SPRING	3	
7	506 25 49-03	GEAR WHEEL ASSY	1	14". Diam. 50mm
7	506 25 49-01	GEAR WHEEL ASSY	1	16". Diam. 41mm
7	506 25 49-02	GEAR WHEEL ASSY	1	16". Diam. 46mm
8	503 25 38-01	NEEDLE BEARING	1	
9	506 28 59-01	SPACING SLEEVE	1	

D K1250



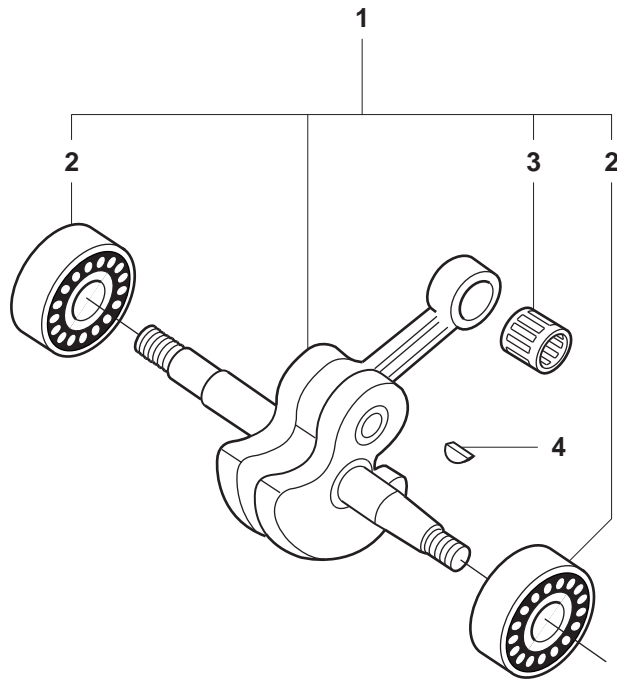
Page D
K1250, K1250 Rail

Pos.	Part No.	Description	Quantity	Notes
1	501 89 25-72	CRANKCASE	1	Incl. 2-11
2	503 13 45-01	CRANKCASE GASKET	1	Gasket kit 22
3	725 53 31-55	SCREW	3	
4	503 25 00-02	BALL BEARING	2	
5	725 53 39-55	SCREW	9	
6	501 27 08-01	GUIDE BUSHING	4	
7	503 20 02-20	SCREW	1	
8	503 20 02-65	SCREW	2	
9	501 81 57-01	BAR BOLT	2	
10	721 42 06-00	PIN	1	
11	503 26 02-05	SEALING RING	2	Gasket kit 22
12	506 25 43-01	CHOKE CONTROL	1	
13	503 14 54-02	GROMMET	1	
14	503 13 20-01	GROMMET	1	
15	501 26 97-04	VIB.INSULATOR	1	
16	725 53 70-55	SCREW	1	
17	503 22 00-01	NUT FLANGE	1	
18	506 24 14-02	CUTTER ARM	1	
19	506 26 97-02	PLUG	1	
20	506 23 70-01	AIR NOZZLE	1	
21	503 20 02-12	SCREW	1	
22	506 29 24-02	GASKET KIT	1	
23	506 27 43-01	GASKET	1	
24	503 13 13-04	GASKET MUFFLER	1	
25	503 13 46-01	GASKET	1	



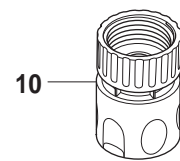
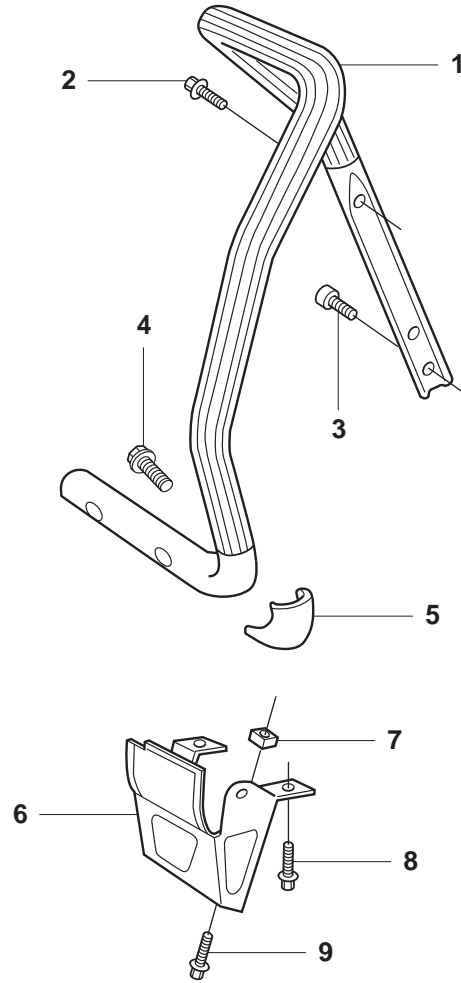
Page E
K1250, K1250 Rail

Pos.	Part No.	Description	Quantity	Notes
1	506 29 42-71	CYLINDER	1	Incl. 2, 3, 4, 5
2	501 89 41-03	PISTON CPL	1	Incl. 3, 4,
3	503 28 90-26	PISTON RING	2	
4	737 44 13-00	CIRCLIP	2	
5	503 13 29-01	SUPPORT BUSHING	1	
6	503 13 00-04	MUFFLER	1	Incl. 7, 8
7	729 53 40-01	SCREW	4	
8	506 27 49-01	EXHAUST DUCT	1	
9	503 21 60-25	SCREW	4	
10	503 23 00-05	WASHER STEEL	4	
11	503 23 51-09	SPARK PLUG	1	RCJ 6Y
12	503 66 56-01	DECOMPRESSION VALVE	1	
13	503 13 46-01	GASKET	1	Gasket kit 20
14	503 21 64-01	SCREW	2	
15	506 34 14-01	COOLING PLATE	1	
16	503 13 13-04	GASKET MUFFLER	1	Gasket kit 20
17	506 27 87-01	MUFFLER SUPPORT	1	
18	503 22 20-07	LOCK NUT	2	
19	725 53 68-55	SCREW	1	
20	506 29 24-02	GASKET KIT	1	
21	506 27 43-01	GASKET	1	
22	503 13 45-01	CRANKCASE GASKET	1	
23	503 26 02-05	SEALING RING	2	



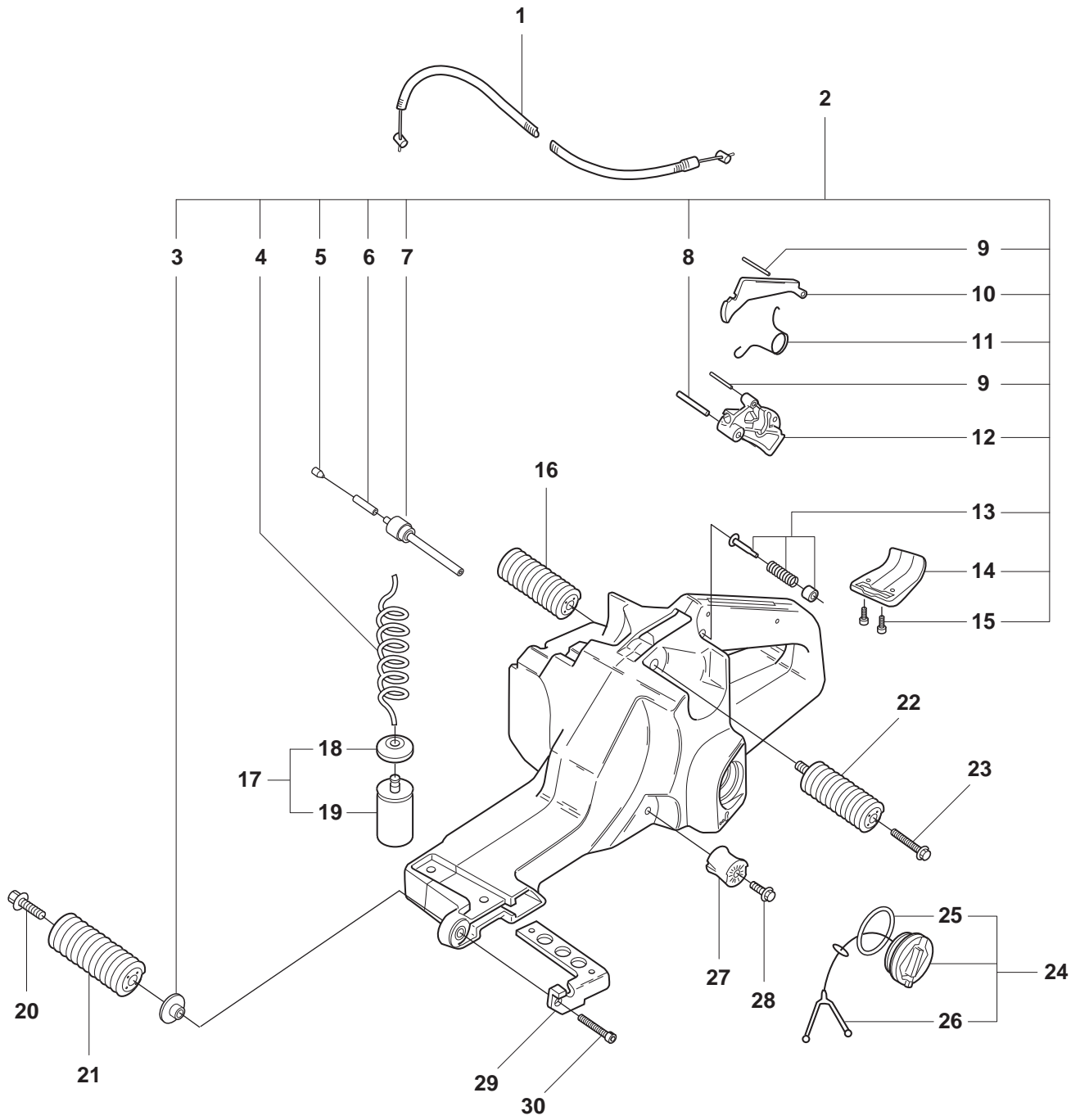
Page F
K1250, K1250 Rail

Pos.	Part No.	Description	Quantity	Notes
1	503 14 20-73	CRANKSHAFT ASSY	1	Incl. 2, 3
2	503 25 00-02	BALL BEARING	2	
3	503 13 29-01	SUPPORT BUSHING	1	
4	735 88 06-00	WOODRUFF KEY	1	



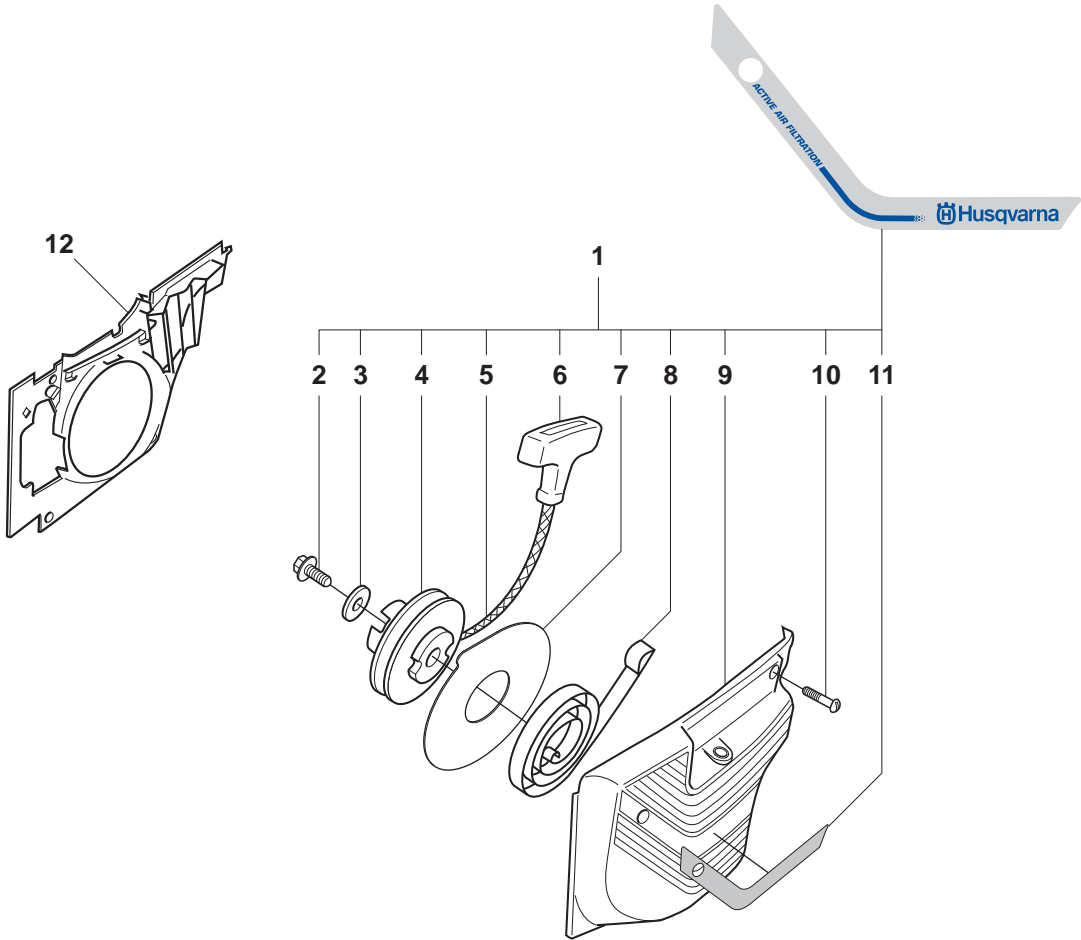
Page G
K1250, K1250 Rail

Pos.	Part No.	Description	Quantity	Notes
1	506 25 53-02	HANDLE	1	
2	503 20 02-10	SCREW	1	
3	503 21 05-25	SCREW	2	
4	503 21 06-32	SCREW	4	
5	506 14 90-01	SUPPORT	1	
6	506 25 01-01	GROUND SUPPORT	1	
7	503 22 65-04	NUT	2	
8	725 53 70-55	SCREW	2	
9	503 20 03-12	SCREW	2	
10	503 26 60-02	COUPLER	1	



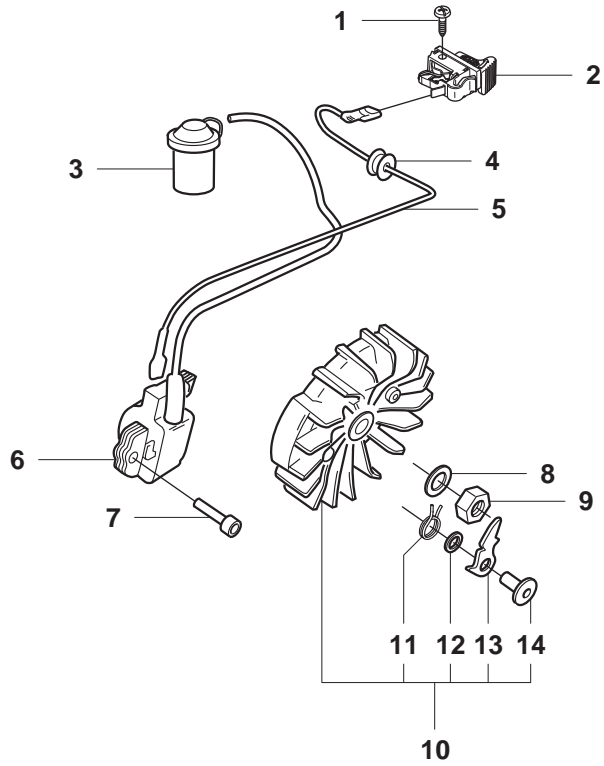
Page H
K1250, K1250 Rail

Pos.	Part No.	Description	Quantity	Notes
1	506 28 98-01	THROTTLE WIRE	1	
2	503 14 21-06	TANK UNIT ASSY	1	Incl. 3 - 15
3	503 14 08-01	BUSHING	1	
4	503 57 76-02	FUEL HOSE	1	
5	504 35 72-01	SINTER PLUG	1	
6	501 76 83-04	FUEL HOSE	1	
7	506 29 39-01	TANK WENT	1	
8	720 12 78-06	PIN	1	
9	720 12 40-20	PARALLEL PIN	1	
10	503 13 16-01	THROTTLE LOCKOUT	1	
11	503 13 18-01	SPRING	1	
12	503 13 36-01	THROTTLE LEVER	1	
13	503 14 23-01	THROTTLE CATCH	1	
14	506 23 34-01	SUPPORT	1	
15	503 21 45-16	SCREW	2	
16	503 13 26-01	AV-ELEMENT	1	
17	506 26 41-11	FUEL FILTER	1	Incl. 18, 19
18	506 27 11-01	HOSE CLAMP	1	
19	506 26 41-01	FUEL FILTER	1	
20	503 20 02-25	SCREW	1	
21	503 13 27-01	AV-ELEMENT	1	
22	503 13 25-01	AV-ELEMENT	1	
23	725 53 68-55	SCREW	2	
24	506 25 59-03	TANK CAP ASSY	1	Incl. 25, 26
25	506 29 21-01	GASKET	1	
26	503 57 89-01	HOLDER	1	
27	501 81 47-01	ANTIVIBRATIONS ELEME	1	
28	503 20 02-12	SCREW	1	
29	503 14 05-01	STIFFENING PLATE	1	
30	503 20 02-30	SCREW	1	



Page J
K1250, K1250 Rail

Pos.	Part No.	Description	Quantity	Notes
1	506 27 55-02	STARTER	1	Incl. 2-11
2	503 21 06-16	SCREW	1	
3	503 23 43-02	WASHER	1	
4	501 89 67-01	STARTER PULLEY	1	
5	506 33 56-25	STARTER CORD	1	
6	503 12 79-01	STARTER HANDLE	1	
7	503 74 36-01	DISC	1	
8	503 13 50-01	RECOIL SPRING ASSY	1	
9	506 25 58-02	STARTER COVER	1	
10	503 20 34-25	SCREW	4	
11	544 87 35-01	LABEL	1	
12	501 89 59-02	AIR CONDUCTOR	1	K1250 A
12	501 89 59-03	AIR CONDUCTOR	1	K1250 Rail

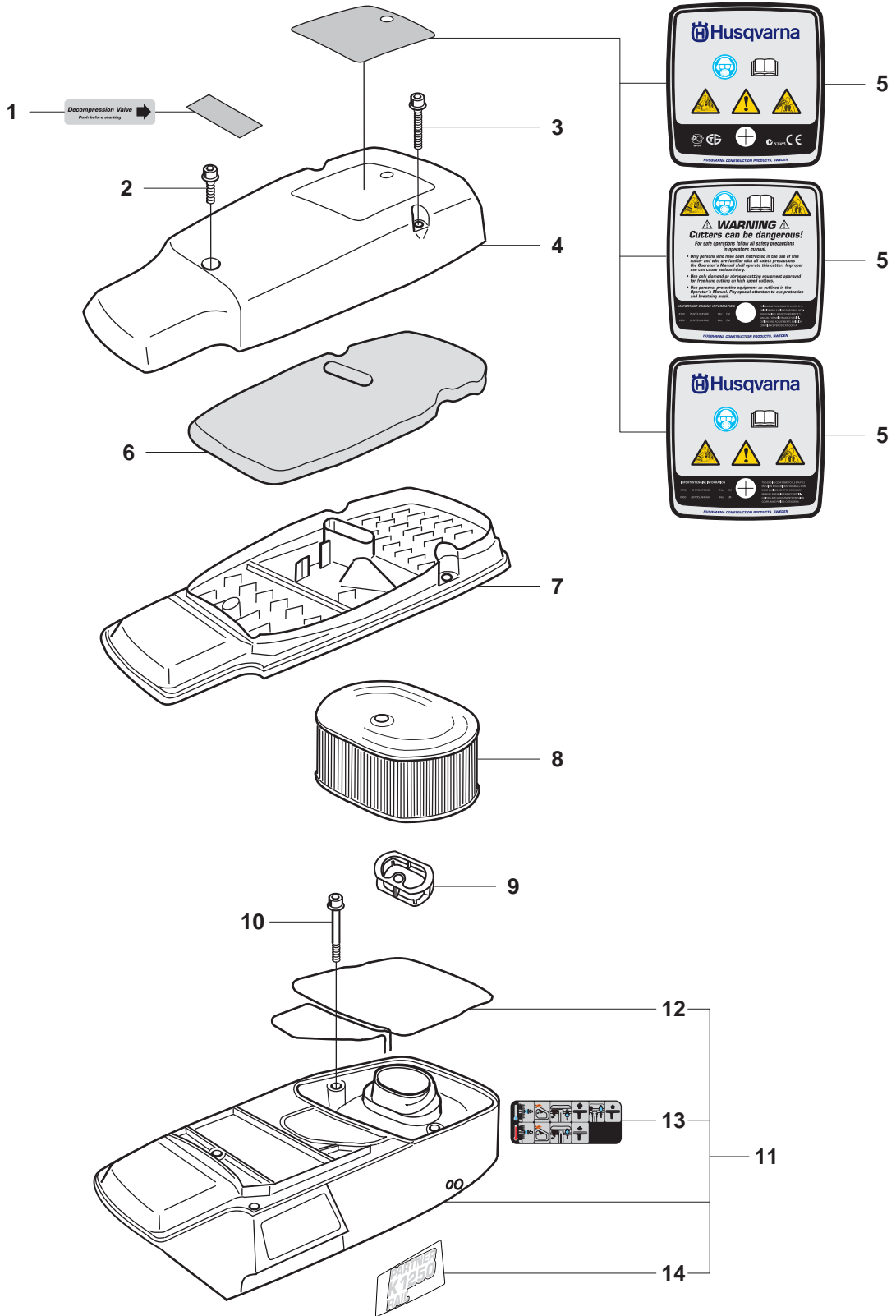


Page K
K1250, K1250 Rail

Pos.	Part No.	Description	Quantity	Notes
1	503 21 90-08	SCREW	1	
2	506 31 86-02	STOP SWITCH	1	
3	501 48 54-02	SPARK PLUG CAP	1	
4	503 13 24-01	CABLE GROMMET	1	
5	501 83 98-03	CABLE	1	
6	544 01 88-01	IGNITION SYSTEM	1	
7	503 20 25-20	SCREW	1	
8	735 11 73-50	SPRING WASHER	1	
9	503 22 10-03	NUT	1	
10	501 89 50-03	FLYWHEEL ASSY	1	Incl. 2-5
11	501 63 48-01	SPRING	2	
12	503 23 00-42	WASHER STEEL	2	
13	501 67 32-03	PAWL	2	
14	501 81 99-01	SCREW	2	

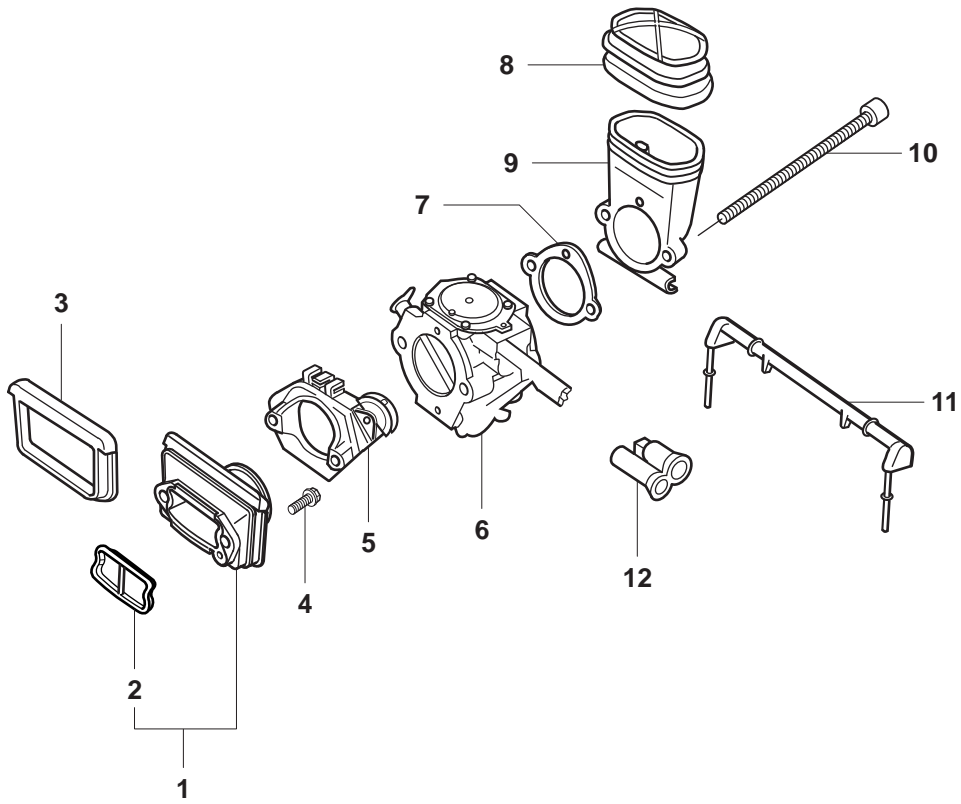


K1250

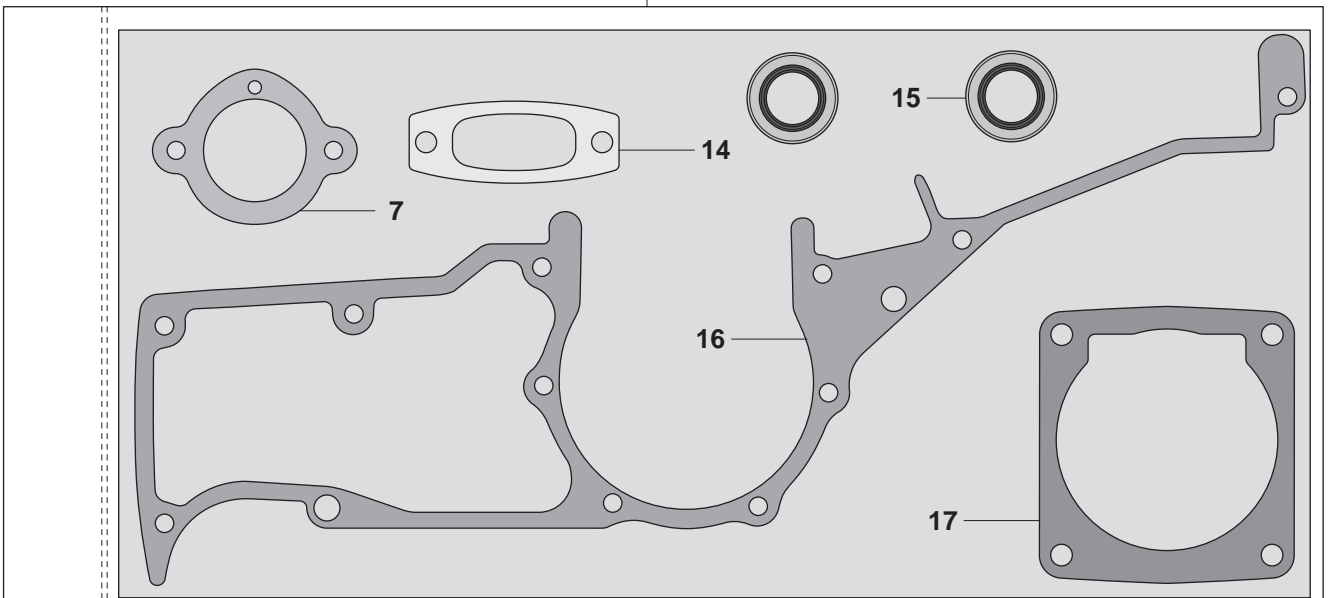


Page L
K1250, K1250 Rail

Pos.	Part No.	Description	Quantity	Notes
1	544 87 46-02	LABEL	1	
2	503 20 34-25	SCREW	1	
3	503 20 34-55	SCREW	2	
4	506 25 56-02	FILTER COVER	1	
5	544 87 44-02	LABEL	1	CE
5	544 87 44-03	LABEL	1	EPA Canada
5	544 87 44-04	LABEL	1	EPA USA
6	506 26 87-01	PREFILTER	1	
7	506 25 57-02	FILTER BOTTOM	1	
8	506 23 18-03	AIR FILTER	1	
9	506 25 03-01	INSERT	1	
10	503 20 02-30	SCREW	4	
11	506 27 54-02	CYLINDER COVER	1	Incl. 2, 3, 4
12	506 28 39-30	SEALING	1	
13	544 87 38-01	LABEL	1	
14	544 87 39-01	LABEL	1	K1250
14	544 87 39-02	LABEL	1	K1250 Rail

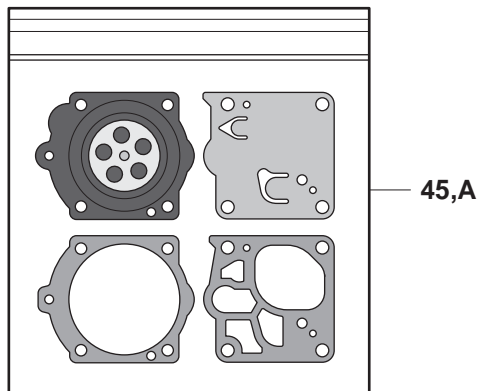
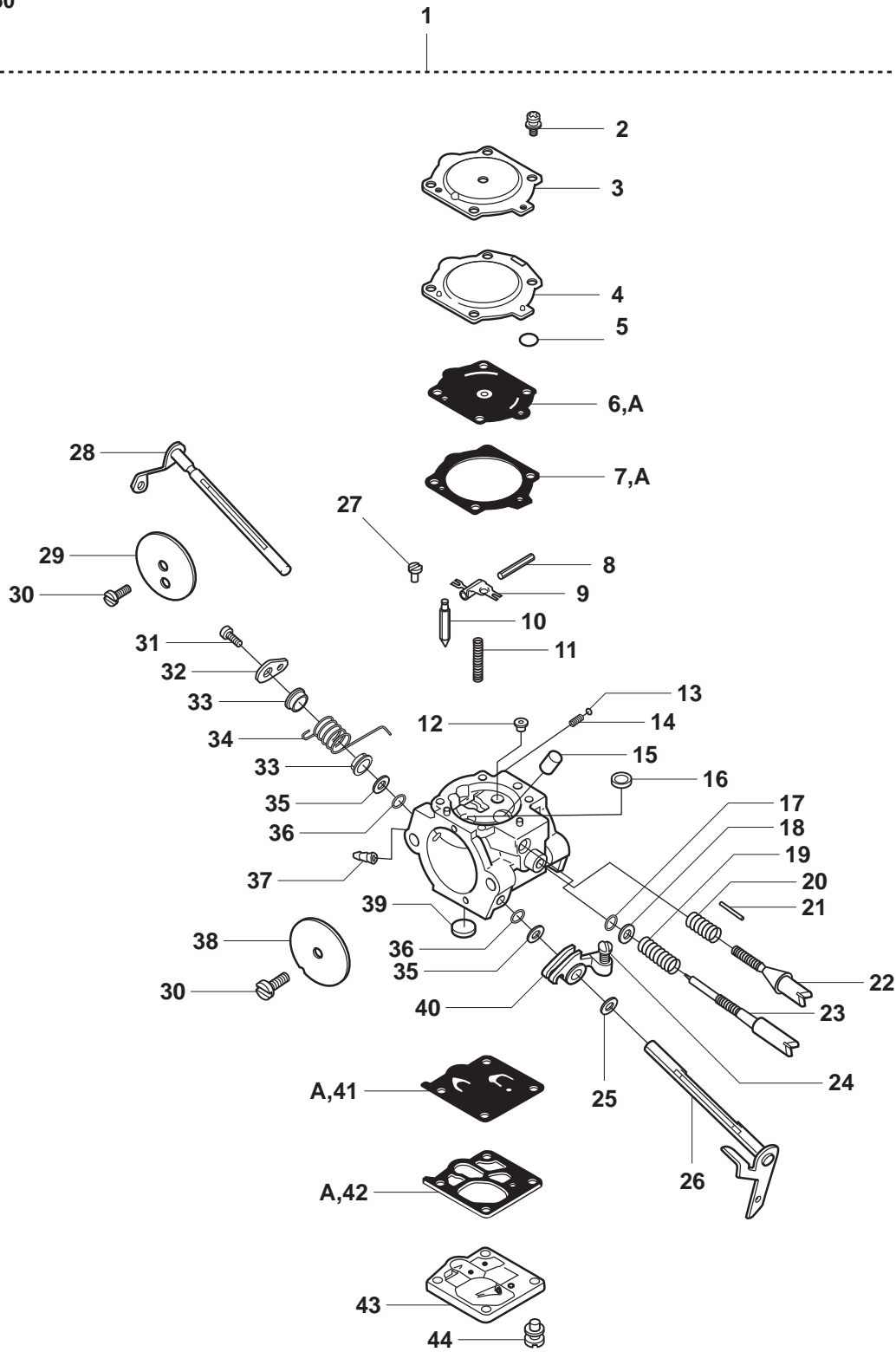


13



Page M
K1250, K1250 Rail

Pos.	Part No.	Description	Quantity	Notes
1	506 24 10-71	INLET PIPE	1	Incl. 2
2	506 31 38-01	INSERT	1	
3	503 14 37-01	SEALING	1	
4	503 20 02-20	SCREW	1	
5	506 28 97-01	FLANGE	1	
6	503 28 12-17	CARBURETTOR	1	
7	506 27 43-01	GASKET	1	Gasket kit 13
8	506 25 02-01	BELLOWS	1	
9	506 24 13-01	INLET BEND	1	
10	503 21 75-65	SCREW	2	
11	506 25 04-01	SUPPORT	1	
12	506 25 46-01	CHISEL GUIDE	1	
13	506 29 24-02	GASKET KIT	1	
14	503 13 13-04	GASKET MUFFLER	1	
15	503 26 02-05	SEALING RING	2	
16	503 13 45-01	CRANKCASE GASKET	1	
17	503 13 46-01	GASKET	1	



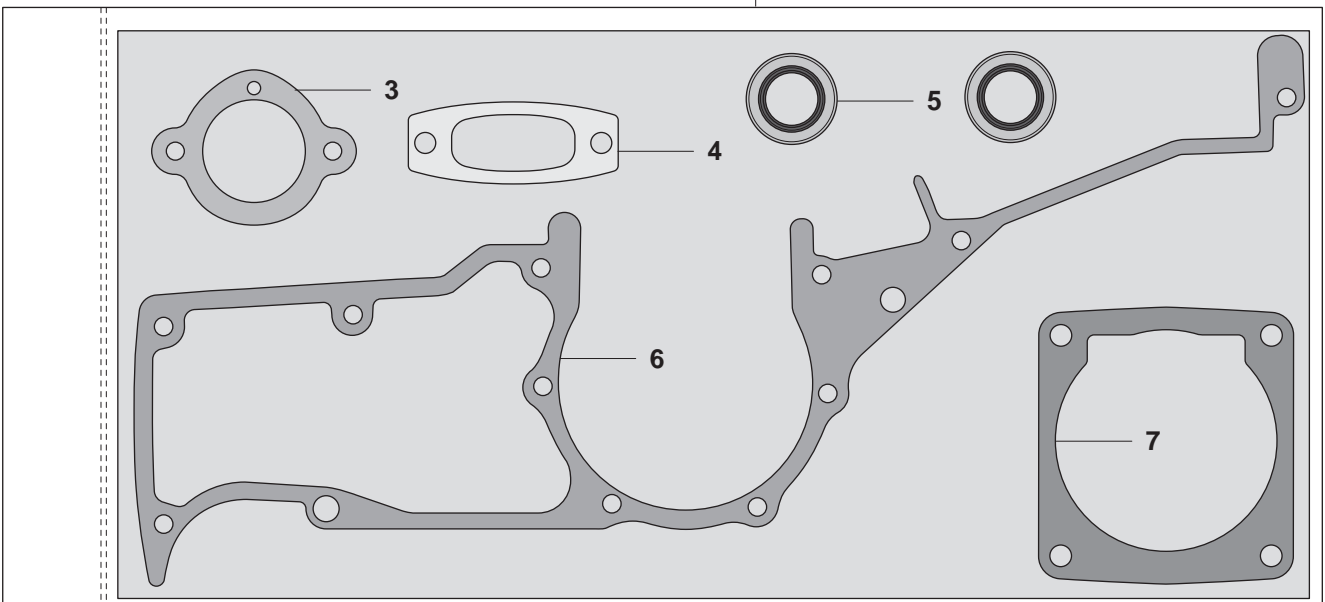
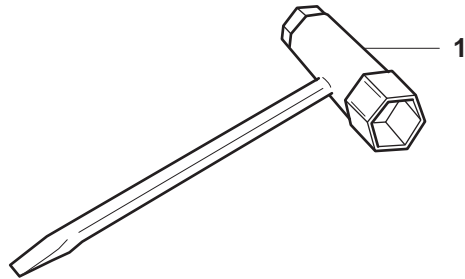
Page N
K1250, K1250 Rail

Pos.	Part No.	Description	Quantity	Notes
1	503 28 12-17	CARBURETTOR	1	
2	537 00 31-01	SCREW	1	
3	501 69 28-01	COVER-METERING DIAPH	1	
4	537 00 29-01	COVER	1	
5	537 00 28-01	RING	1	
6	503 63 28-01	DIAPHRAGM ASSY METER	1	Kit 45
7	501 46 75-01	GASKET-METERING DIAP	1	Kit 45
8	505 31 67-31	PIN-METERING LEVER	1	
9	505 31 67-34	LEVER-METERING	1	
10	503 56 34-01	VALVE INLET NEEDLE	1	
11	505 31 67-23	SPRING-METER.LEVER	1	
12	537 15 34-01	JET	1	
13	501 46 85-01	BALL-CHOKE FRICTION	1	
14	501 46 84-01	SPRING-CHOKE FRICT.	1	
15	503 97 66-01	NOZZLE ASSY	1	
16	503 57 42-01	PLUG-WELCH	1	
17	503 59 55-01	O-RING	1	
18	503 59 72-01	WASHER	1	
19	505 31 67-37	SPRING-NEEDLE	1	
20	503 63 31-01	SPRING	1	
21	503 52 60-01	PIN THROTTLE STOP	1	
22	503 63 29-01	SCREW IDLE SPEED	1	
23	503 63 32-01	NEEDLE IDLE SPEED	1	
24	503 59 65-01	SCREW	1	
25	506 02 83-01	WASHER	1	
26	503 59 59-01	SHAFT ASS'Y THROTTLE	1	
27	505 31 67-17	SCREW-LEVER PIN	1	
28	537 00 30-01	SHAFT ASS'Y	1	
29	503 52 58-01	VALVE CHOKE	1	
30	530 03 50-15	SCREW-VALVE	2	
31	503 19 22-01	SCREW PAN HD(M2.5x5)	1	
32	503 59 56-01	LEVER THROTTLE	1	
33	502 10 31-01	BUSHING-THROTT.SPR.	2	
34	503 52 59-01	SPRING THROTT RETURN	1	
35	505 31 67-48	WASHER	2	
36	503 56 45-01	SEAL-THROTTLE SHAFT	2	
37	503 59 84-01	FITTING FUEL INLET	1	
38	503 63 24-01	VALVE THROTTLE	1	
39	501 66 61-01	SCREEN-INLET	1	
40	503 59 57-01	LEVER THROTTLE INNER	1	
41	503 11 73-01	DIAPHRAGM-PUMP	1	Kit 45
42	503 11 72-01	GASKET-PUMP	1	Kit 45
43	503 59 58-01	COVER-PUMP	1	
44	503 11 75-01	SCREW-PUMP COVER	1	
45	503 59 74-02	GASKET KIT	1	

P

K1250

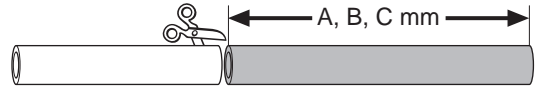
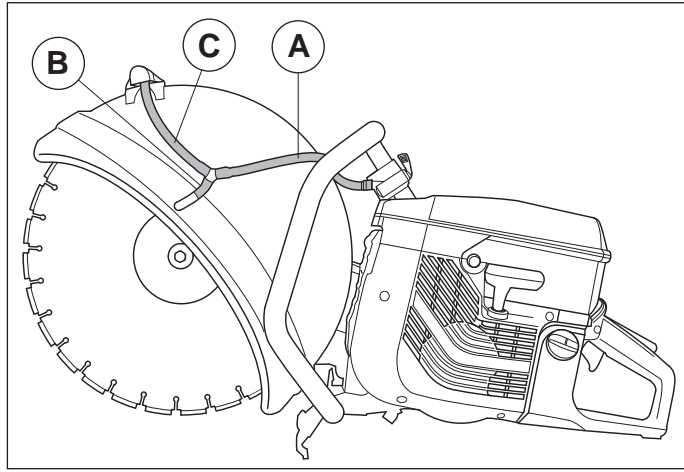
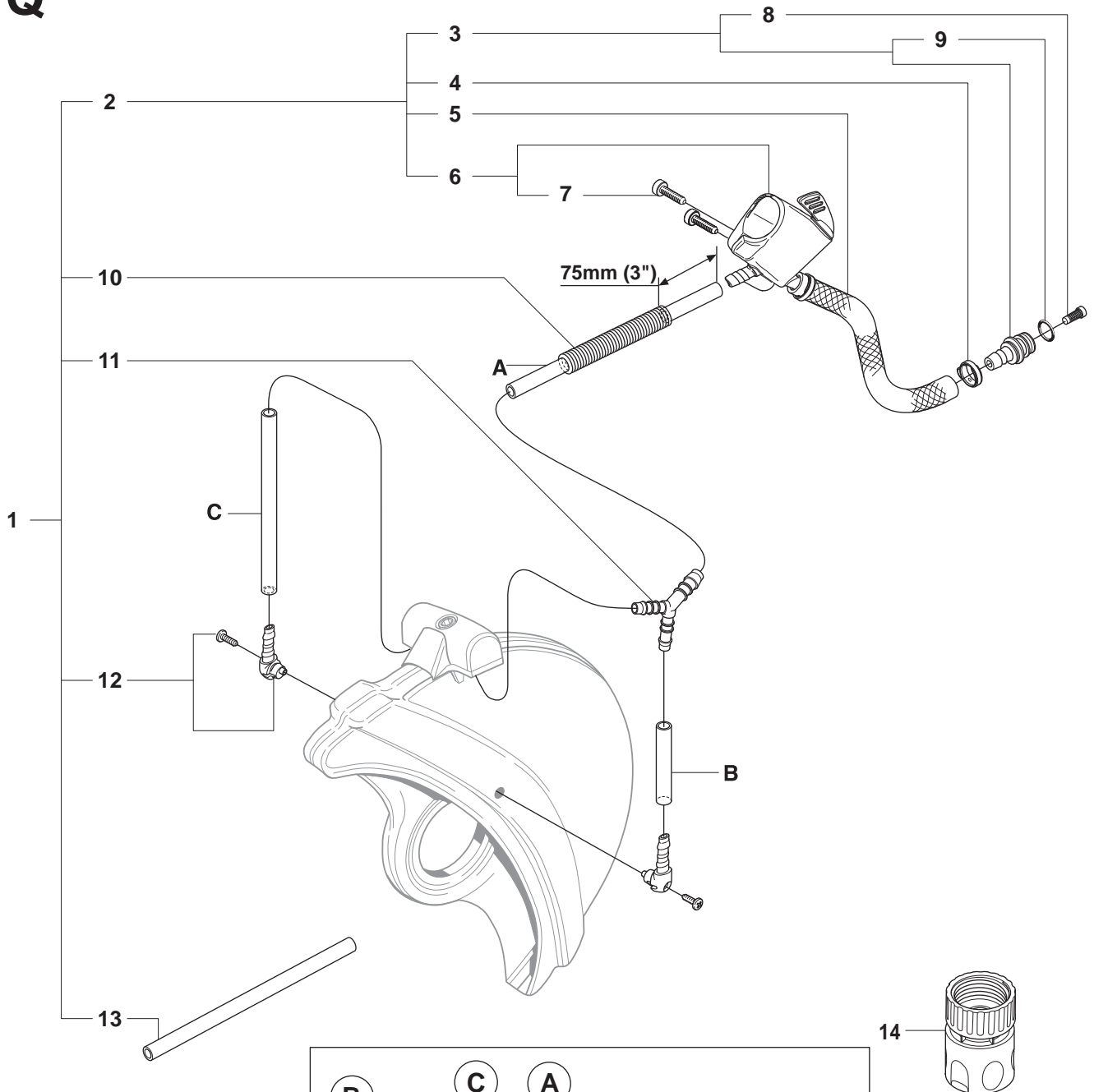
Accessories
Zubehöre
Accessoires
Accesorios
Tillbehör



Page P
K1250, K1250 Rail

Pos.	Part No.	Description	Quantity	Notes
1	501 69 17-02	COMBINATION TOOL	1	
2	506 29 24-02	GASKET KIT	1	
3	506 27 43-01	GASKET	1	
4	503 13 13-04	GASKET MUFFLER	1	
5	503 26 02-05	SEALING RING	2	
6	503 13 45-01	CRANKCASE GASKET	1	
7	503 13 46-01	GASKET	1	

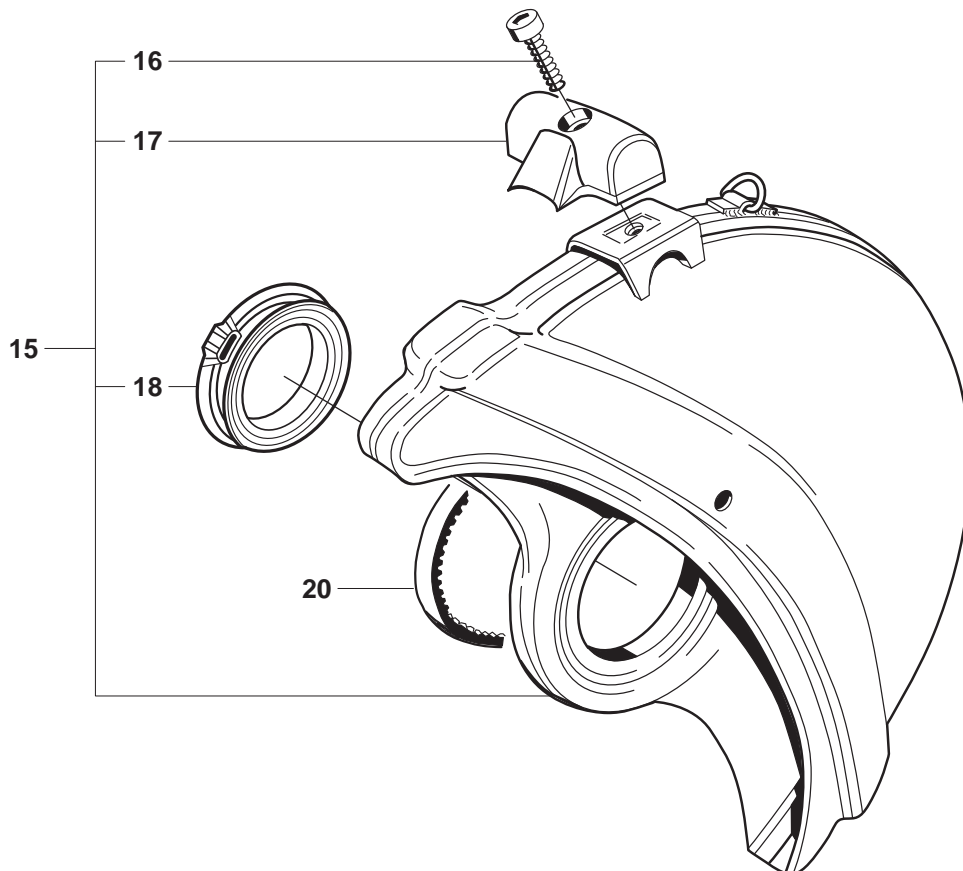
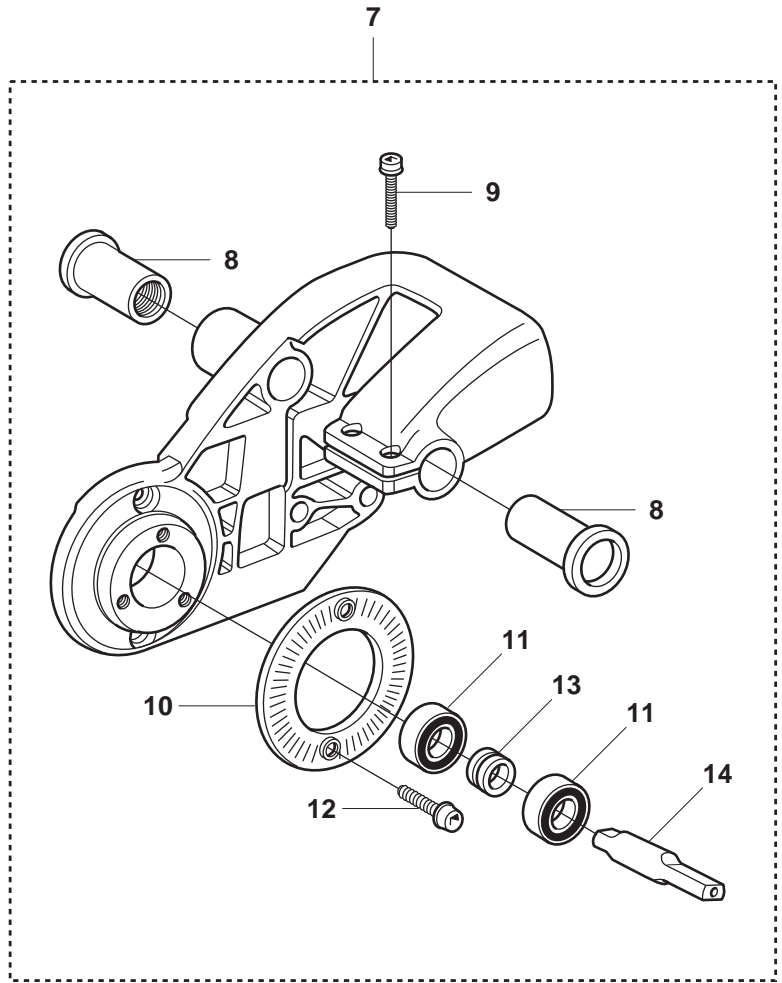
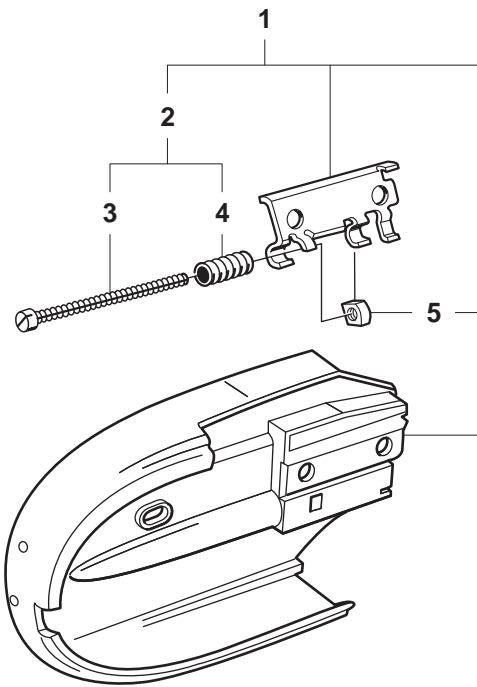
Q K1250



Product		A (mm)	B (mm)	C (mm)
K1250A	14"	280	45	280
	16"	270	45	360

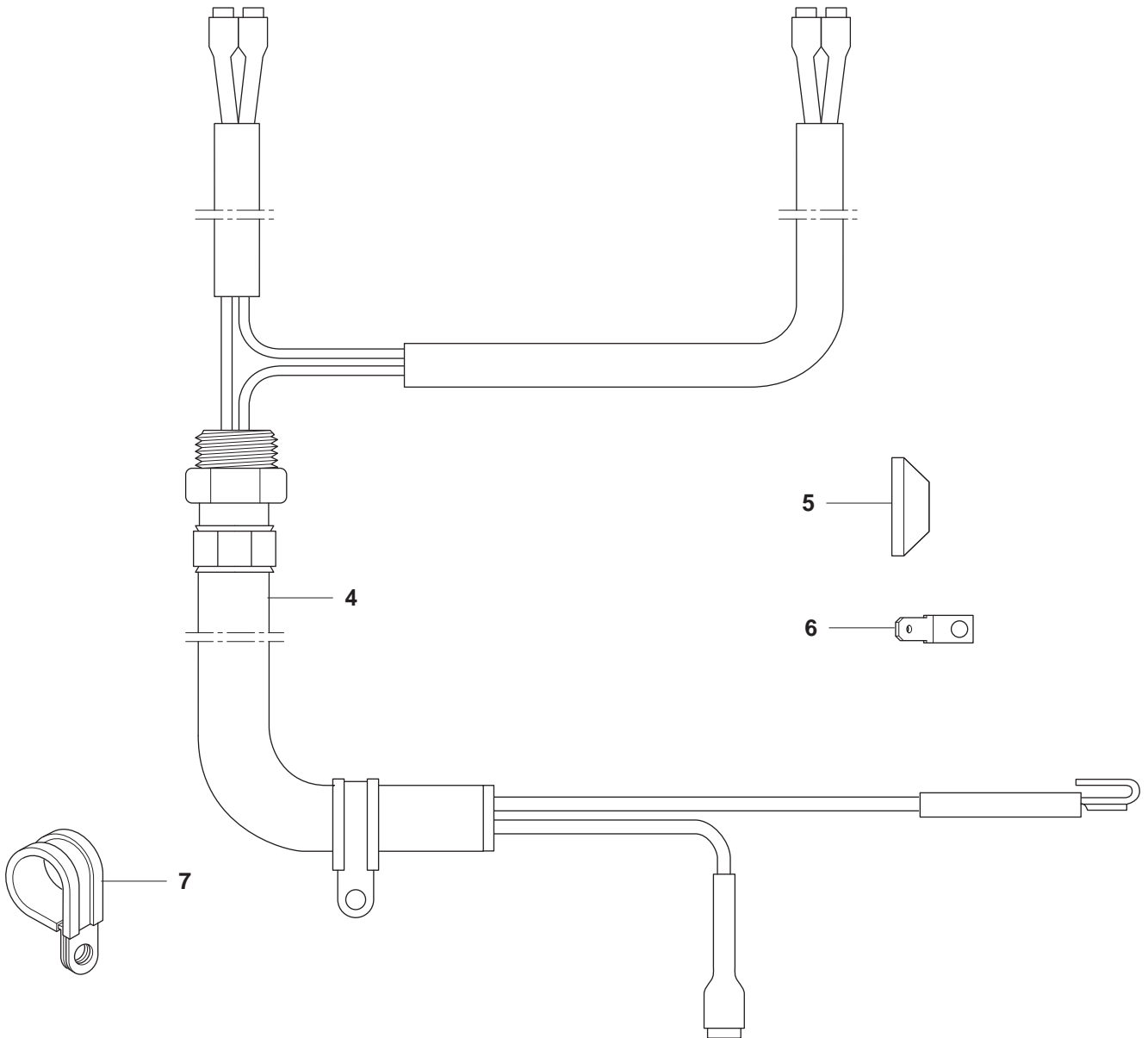
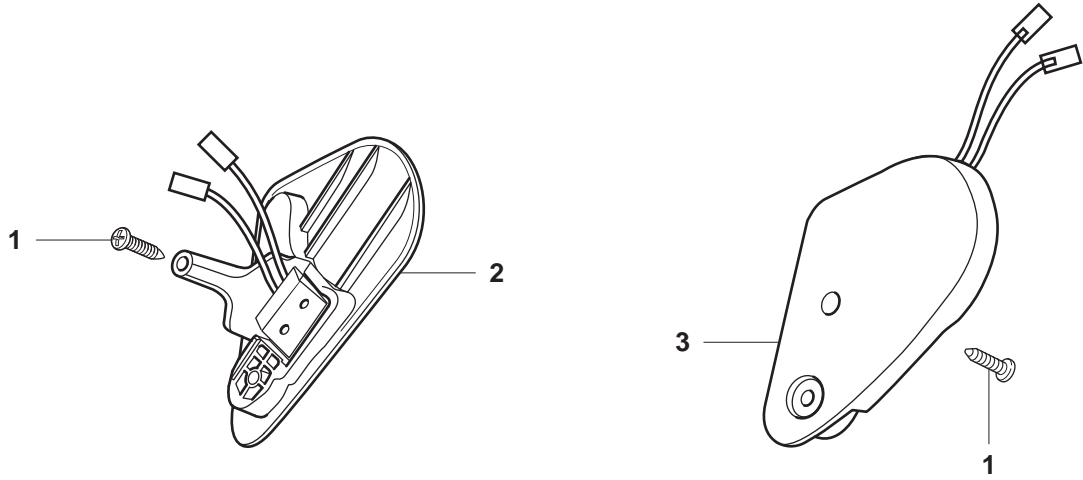
Page Q
K1250, K1250 Rail

Pos.	Part No.	Description	Quantity	Notes
1	544 00 31-03	WATER HOSE KIT	1	Incl. 2, 10-13
2	506 32 90-21	HOSE	1	Incl. 3-6
3	506 29 57-02	NIPPLE	1	Incl. 8
4	506 09 56-02	HOSE CLAMP	2	
5	506 09 75-02	HOSE	1	L=230mm
6	506 31 77-31	VALVE ASSY	1	Incl. 7
7	503 21 06-19	SCREW	2	
8	506 29 88-01	FILTER	1	
9	503 26 30-21	O-RING	1	
10	506 35 27-01	PROTECTIVE SPRING	1	
11	506 32 87-01	Y-TUBE	1	
12	506 29 56-01	NIPPLE	2	
13	506 09 58-24	HOSE	1	L=800mm
14	503 26 60-02	COUPLER	1	



Page R
K1250, K1250 Rail

Pos.	Part No.	Description	Quantity	Notes
1	506 27 92-31	BELT GUARD	1	K1250 Rail 14"
1	506 27 92-38	BELT GUARD	1	K1250 Rail 16"
2	506 26 66-03	BELT TENSIONER ASSY	1	Incl. 3, 4
3	503 20 30-11	SCREW	1	
4	506 26 68-01	COMPRESSION SPRING	1	
5	503 22 66-01	NUT	1	
6	544 87 36-01	LABEL	1	
7	544 88 75-01	BEARING HOUSING	1	K1250 Rail 14"
7	544 88 75-02	BEARING HOUSING	1	K1250 Rail 16"
8	506 22 75-01	SLEEVE	2	
9	503 20 02-16	SCREW	2	
10	506 28 84-01	SCREEN PATTERN FLANG	1	
11	503 25 21-01	BALL BEARING	2	
12	503 20 07-12	SCREW	2	
13	506 07 08-01	SPACING SLEEVE	1	
14	506 29 83-63	SHAFT	1	
15	506 34 05-24	WHEEL GUARD ASSY	1	14". Incl. 18-21
15	506 34 05-26	WHEEL GUARD ASSY	1	16". Incl. 18-21
16	725 53 31-55	SCREW	1	
17	506 34 46-02	HANDLE	1	
18	506 26 63-02	LINING	1	
19	506 37 27-38	BELT	1	16"



Page S
K1250, K1250 Rail

Pos.	Part No.	Description	Quantity	Notes
1	729 53 27-71	SCREW	2	
2	506 35 91-01	STOP SWITCH	1	LH
3	506 35 91-02	STOP SWITCH	1	RH
4	506 35 90-01	WIRING	1	
5	506 35 96-01	SPACING BLOCK	1	
6	535 03 94-01	CONNECTION PLATE	1	
7	506 35 80-01	BRACKET	1	