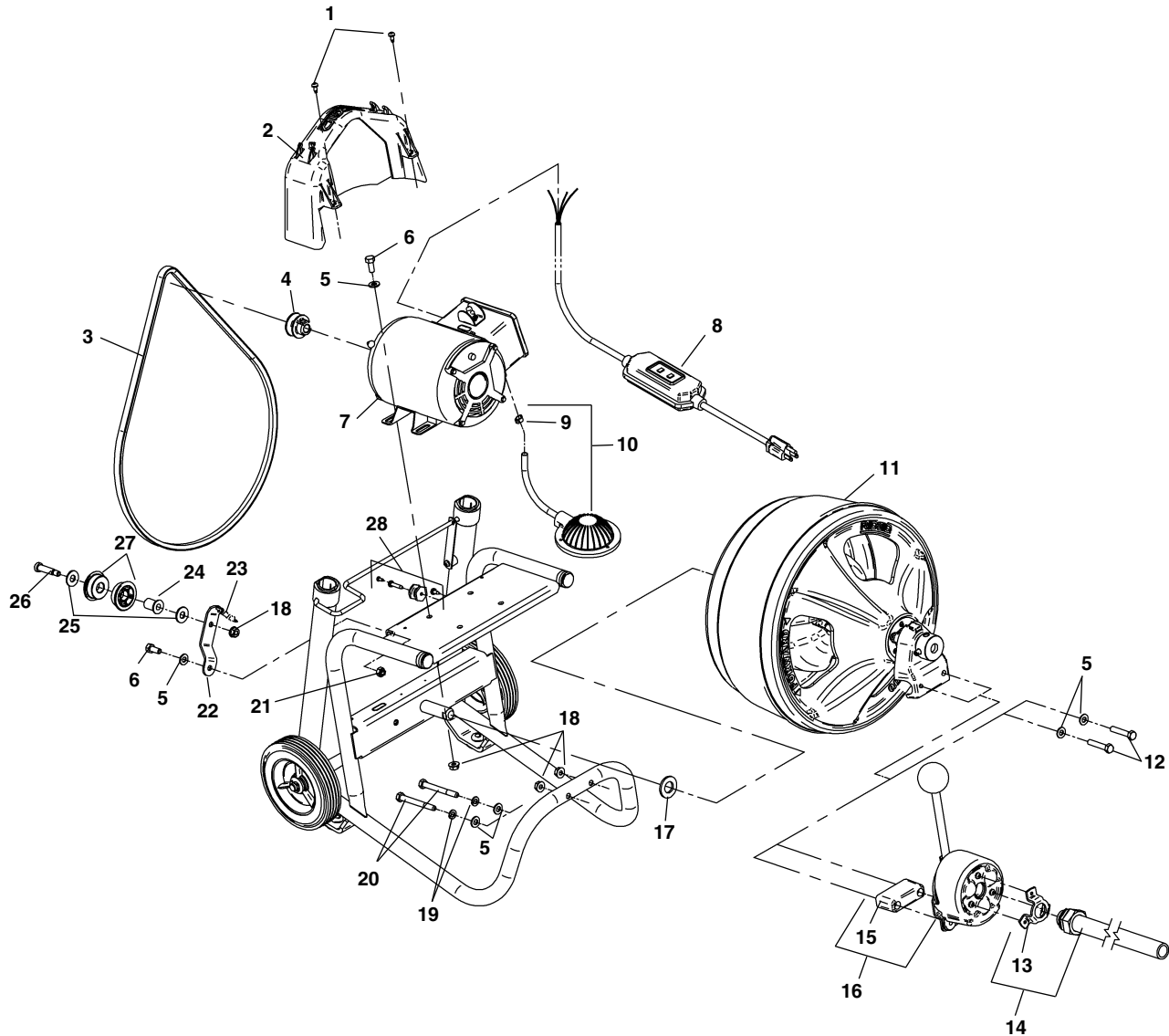


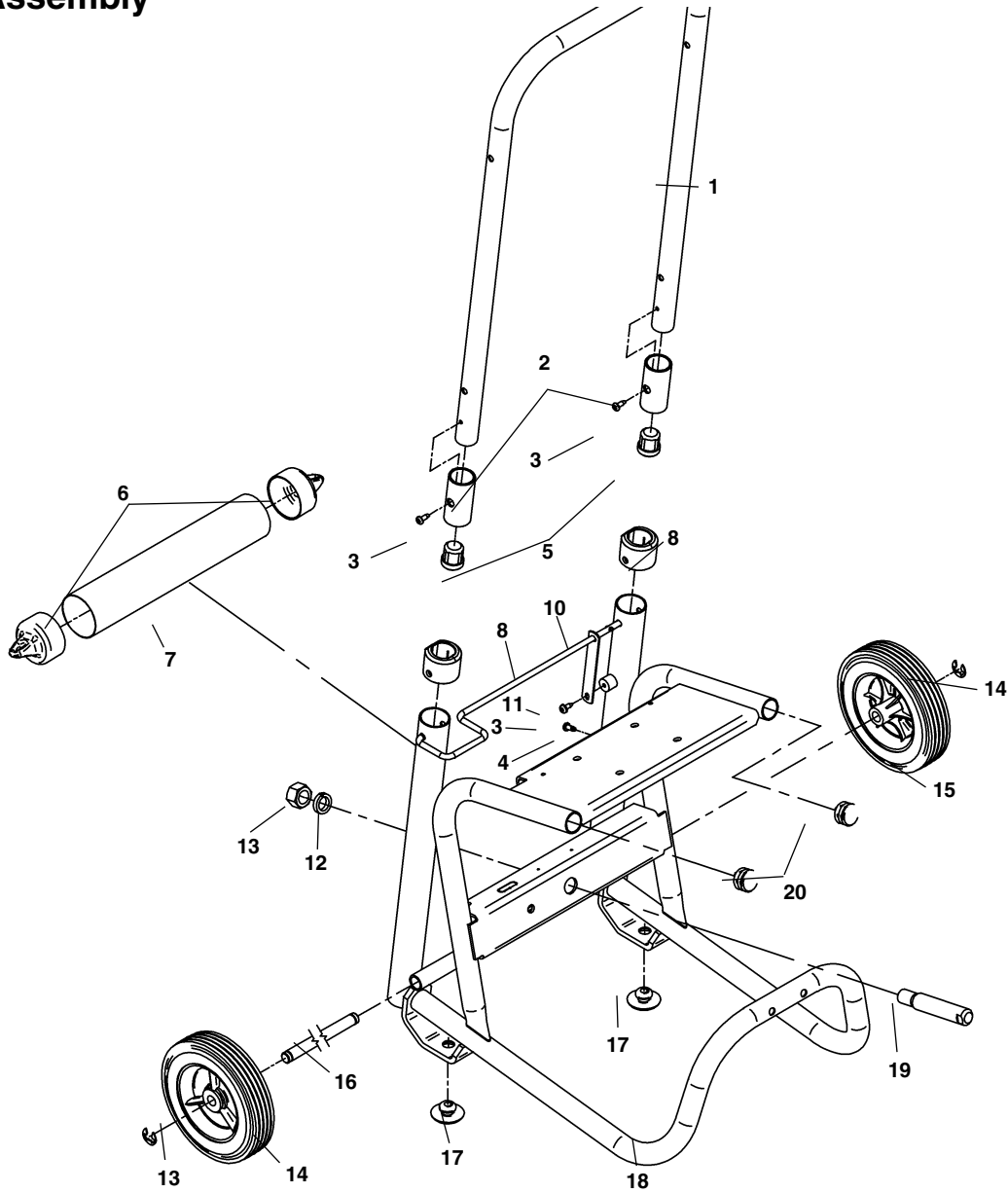
Main Components



**NOTE: Order parts by Catalog Number only.
DO NOT order by Reference Number.**

Ref. No.	Catalog No.	Description	Ref. No.	Catalog No.	Description
1	68937	Screw #10-24 (3)	13	27603	Guide Hose Mounting Bracket
2	27483	Belt Guard	14	26778	Guide Hose Assembly
3	27498	V-Belt	15	27608	Spacer
4	27513	Pulley	16	26773	AUTOFEED® Assembly
5	60065	Flat Washer 5/16" (7)	17	41790	Flat Washer
6	59785	Hex Screw 5/16"-18 x 3/4" (5)	18	27517	Lock Nut 5/16"
7	27568	Motor 120V 50Hz	19	60080	Lock Washer 5/16"
	27623	Motor 220/240V 50Hz	20	60737	Hex Screw 5/16"-18 x 3" (2)
	27583	Motor 220V 50Hz Europe	21	27508	Hex Nut 5/16"
8	50497	GFI Power Cord 120V 60Hz	22	27533	Pulley Bracket
	15707	Power Cord 220V Export	23	27523	Spring
	15692	Power Cord 240V Australia	24	27493	Flange Bushing
	65842	Power Cord 220V Europe	25	33082	Flat Washer 3/8" (2)
9	35142	Hose Clamp	26	33627	Shoulder Screw 3/8" x 1 1/4"
10	37967	Foot Switch	27	27488	Idler Pulley (2)
11	27048	Drum Assembly	28	30728	Torque Limiter Assy.
12	91302	Hex Screw 5/16"-18 x 1 3/4" (2)			

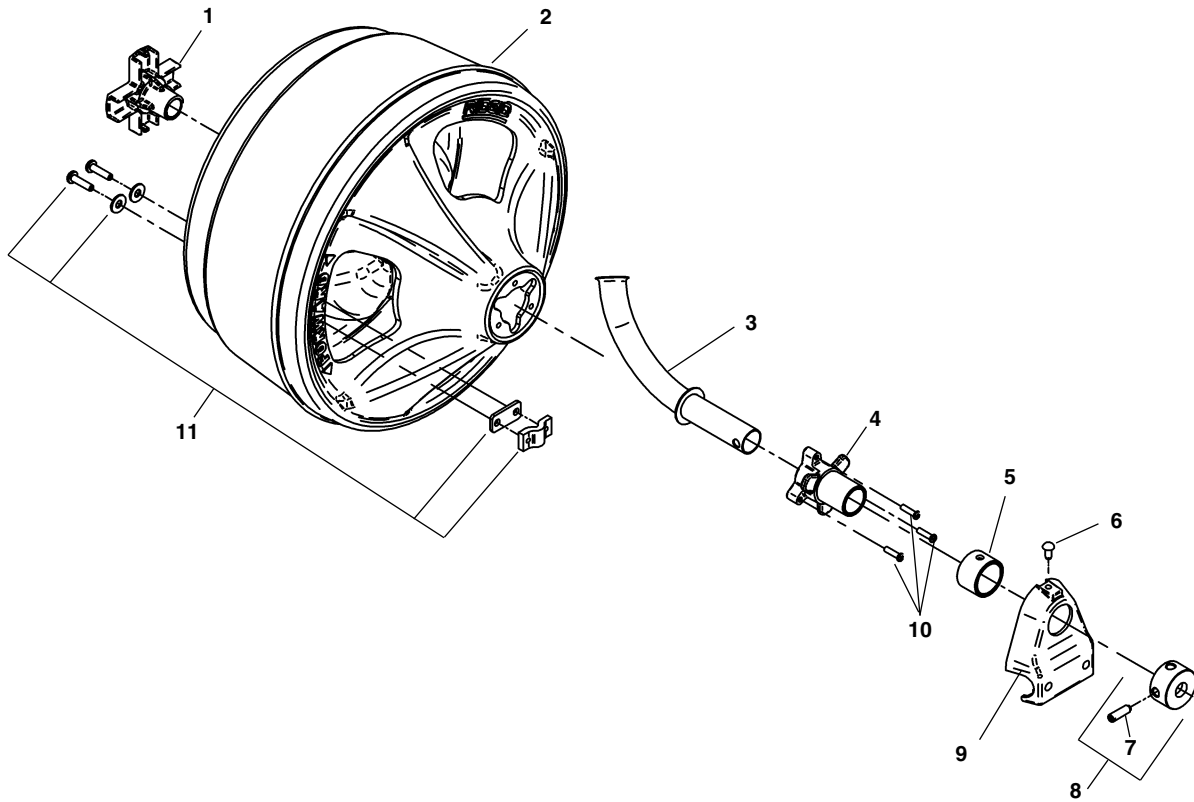
Frame Assembly



**NOTE: Order parts by Catalog Number only.
DO NOT order by Reference Number.**

Ref. No.	Catalog No.	Description	Ref. No.	Catalog No.	Description
1	27473	Handle	11	68937	Screw, #10-24 Pan Head (3)
2	27538	Handle Sleeve (2)	12	46682	Lock Washer 5/8"
3	45275	Screw, #10-24 x 1/2" Pan Head (3)	13	13617	Hex Nut 5/8" - 11
4	45365	Flat Washer #10	14	59810	Ring, Retaining (2)
5	27503	Rubber Foot (2)	15	60842	Wheel (2)
6	27593	Cap (2)	16	27518	Axle
7	27588	Tube f/Operator's Manual	17	27553	Grommet
8	27563	Bushing (2)	18	27438	Frame
9	27453	Release Lever	19	27463	Drum Shaft
10	27458	Flat Spring	20	27558	Plug 1" (2)

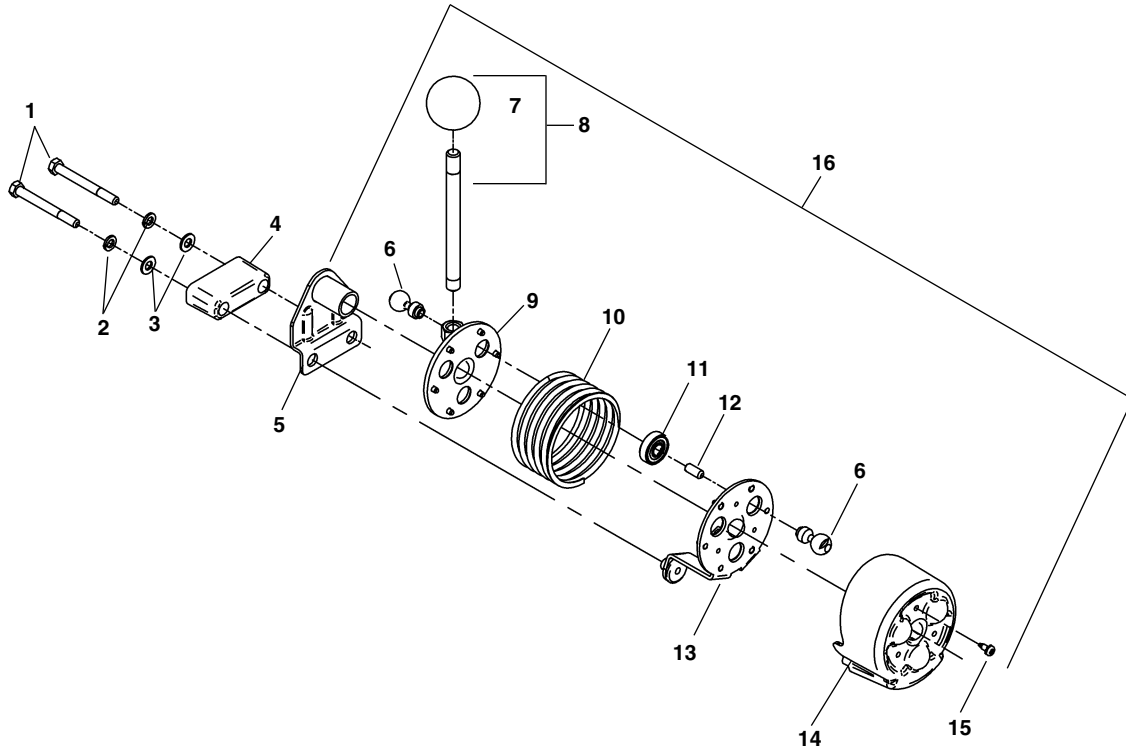
Drum Assembly



**NOTE: Order parts by Catalog Number only.
DO NOT order by Reference Number.**

Ref. No.	Catalog No.	Description
—	27048	Drum Assembly
1	27543	Sleeve Bushing
2	27528	Drum
3	27478	Guide Tube
4	27448	Guide Tube Bushing
5	27468	Sleeve Bushing
6	27548	Drive Screw
7	39582	Set Screw $\frac{5}{16}$ " x 1"
8	37912	Set Collar Assembly
9	27443	Bearing Support
10	27578	Screw #8 - 16 x $\frac{3}{4}$ " (3)
11	56147	Cable Clamp Assembly

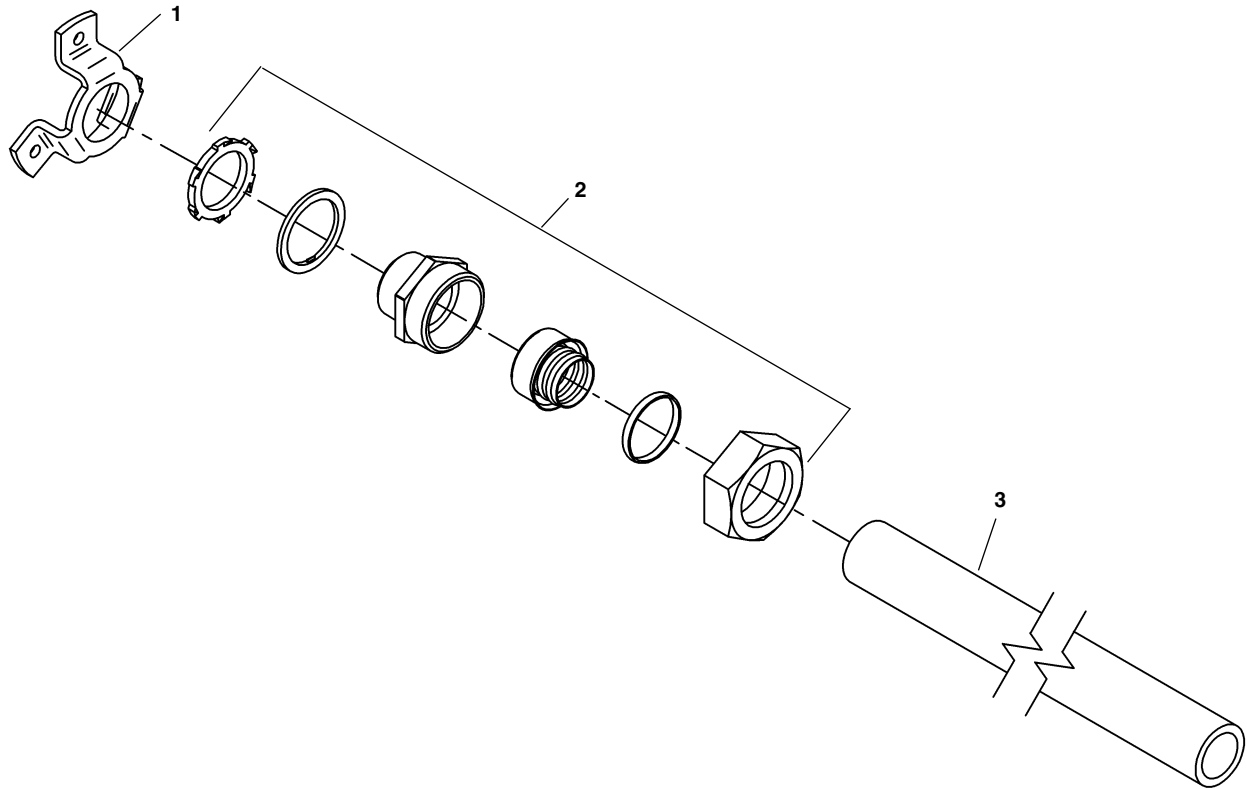
AUTOFEED® Assembly



**NOTE: Order parts by Catalog Number only.
DO NOT order by Reference Number.**

Ref. No.	Catalog No.	Description
—	26773	AUTOFEED Assembly K-400
1	60737	Hex Screw $\frac{5}{16}$ " - 18 x 3" (2)
2	60080	Lock Washer $\frac{5}{16}$ "
3	60065	Flat Washer $\frac{5}{16}$ "
4	27608	Spacer
5	87627	Mounting Bracket
6	87607	Roller Shaft (6)
7	59585	Ball for Handle
8	93630	Clutch Handle
9	87622	Back Plate
10	87617	Spring
11	44077	Bearing
12	41502	Set Screw $\frac{5}{16}$ " - 18 x $\frac{3}{4}$ " (3)
13	87612	Front Plate
14	87632	AUTOFEED Cover
15	45420	Screw 10 - 24 x $\frac{1}{2}$ " (3)
16	26773	AUTOFEED Assembly

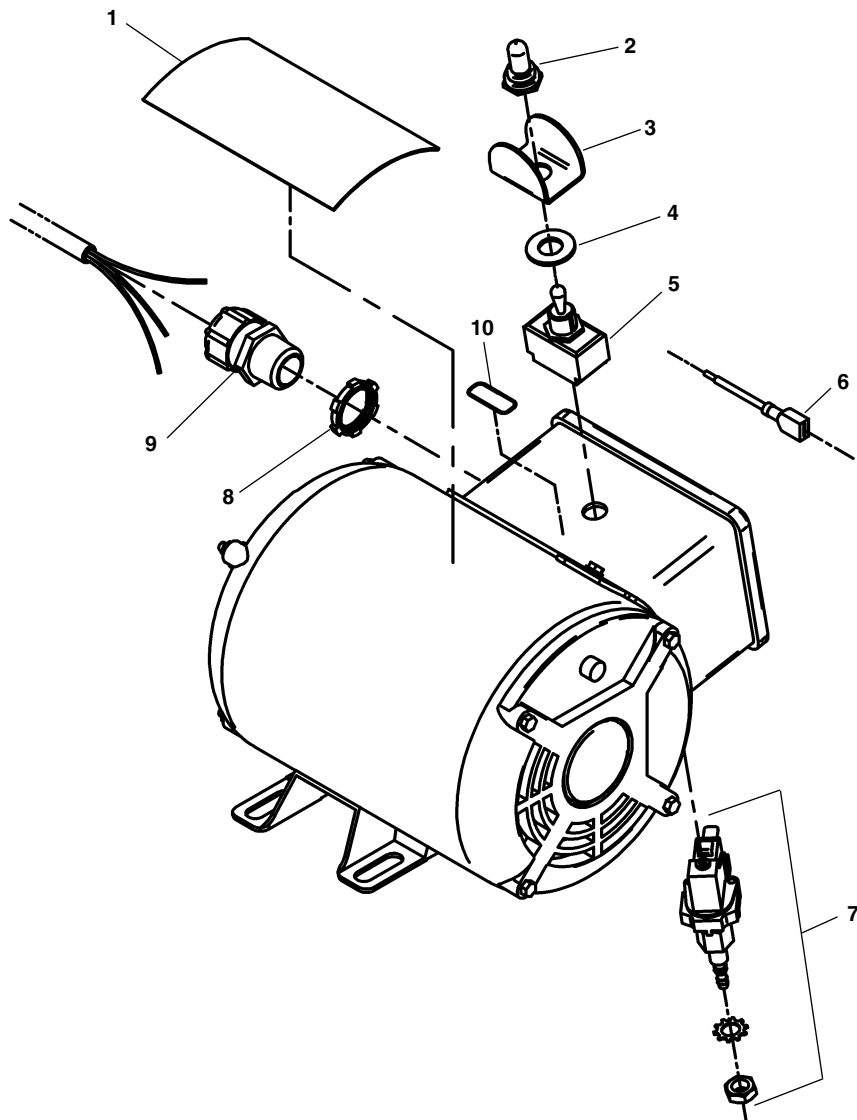
Guide Hose Assembly



**NOTE: Order parts by Catalog Number only.
DO NOT order by Reference Number.**

Ref. No.	Catalog No.	Description
—	26778	Guide Hose Assembly
1	27603	Guide Hose Bracket
2	72477	Guide Hose Connector
3	27598	Hose 2'

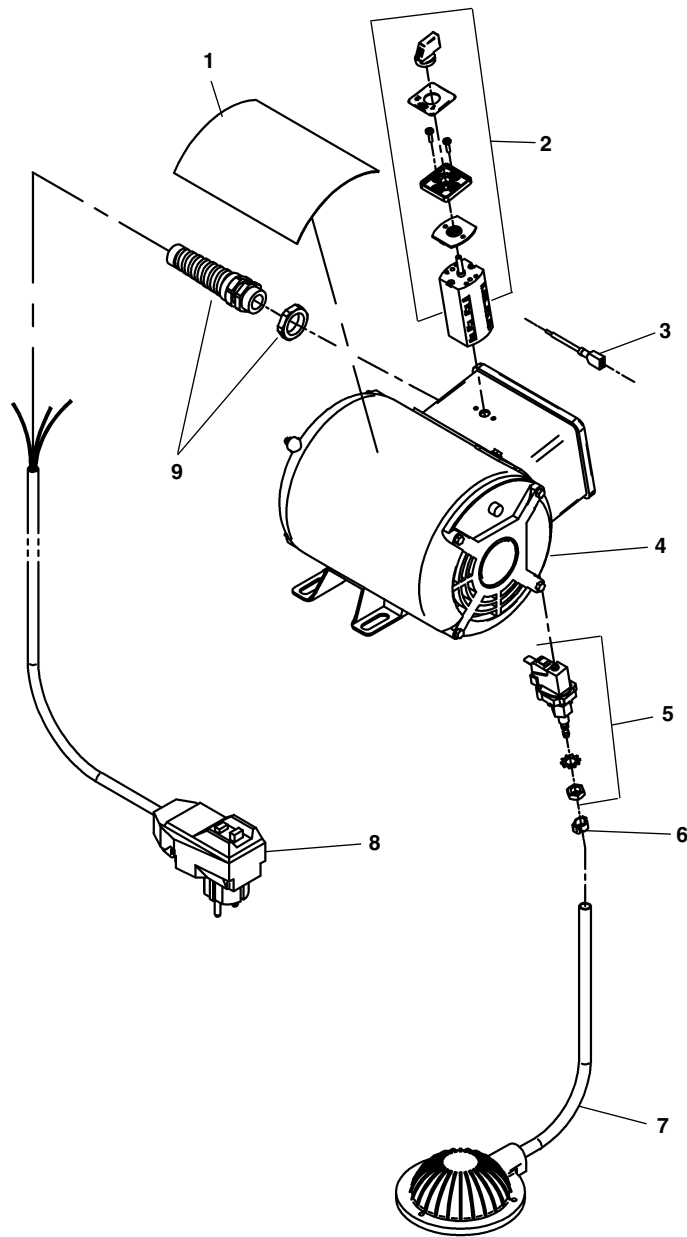
Motor Components



**NOTE: Order parts by Catalog Number only.
DO NOT order by Reference Number.**

Ref. No.	Catalog No.	Description
—	27568	120V 60Hz Motor Assembly
—	27623	220/240V 50Hz Motor Assembly
1	27618	Safety Decal
2	23507	Rubber Boot
3	61490	Switch Guard
4	23512	Rubber Washer
5	41817	Switch
6	44877	Lead Wire Assembly
7	32992	Air Switch
8	65642	Lock Nut
9	96265	Strain Relief
10	23687	FOR/REV Label

Motor Components - 220V - 50Hz Europe



**NOTE: Order parts by Catalog Number only.
DO NOT order by Reference Number.**

Ref. No.	Catalog No.	Description
1	27618	Safety Decal
2	44862	Switch
3	44877	Lead Wire Assembly
4	27583	220V 50Hz Motor Assy.
5	32992	Air Switch
6	35142	Hose Clamp
7	37967	Foot Switch Assembly
8	39562	220V Power Cord (Europe)
9	27187	Strain Relief