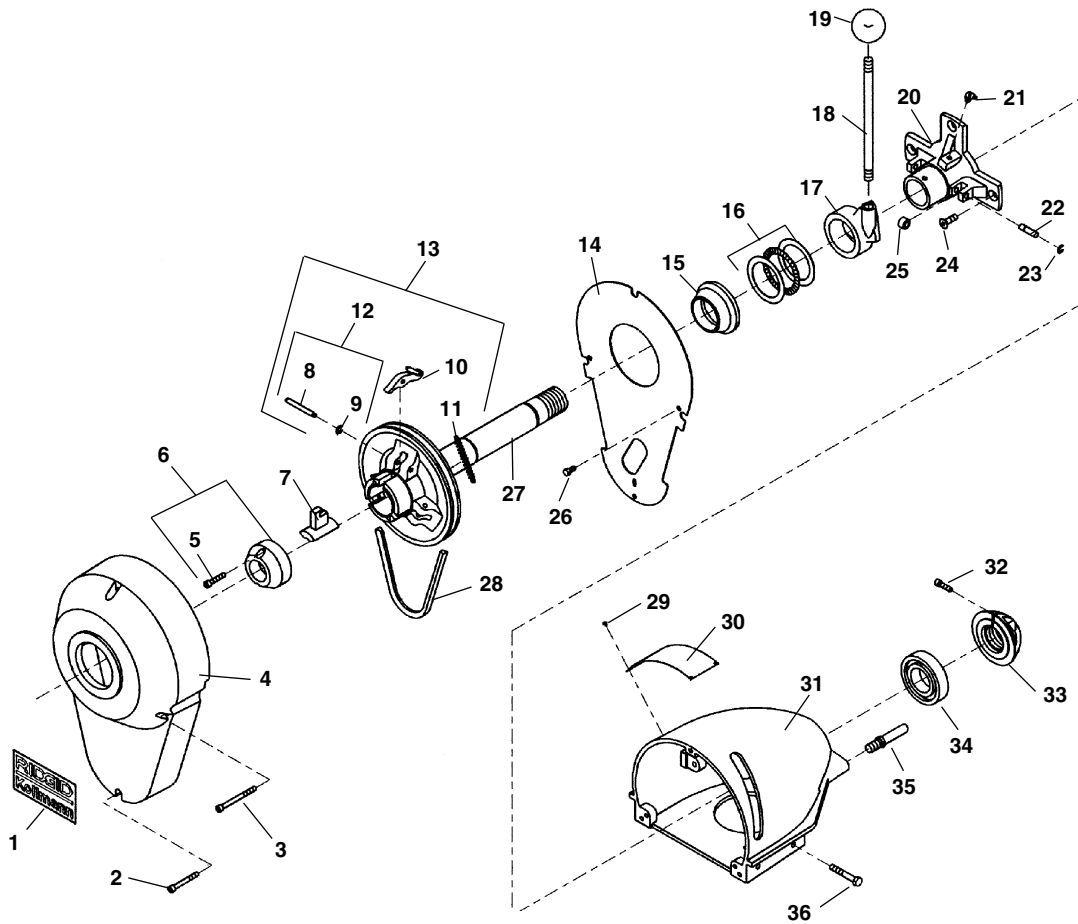


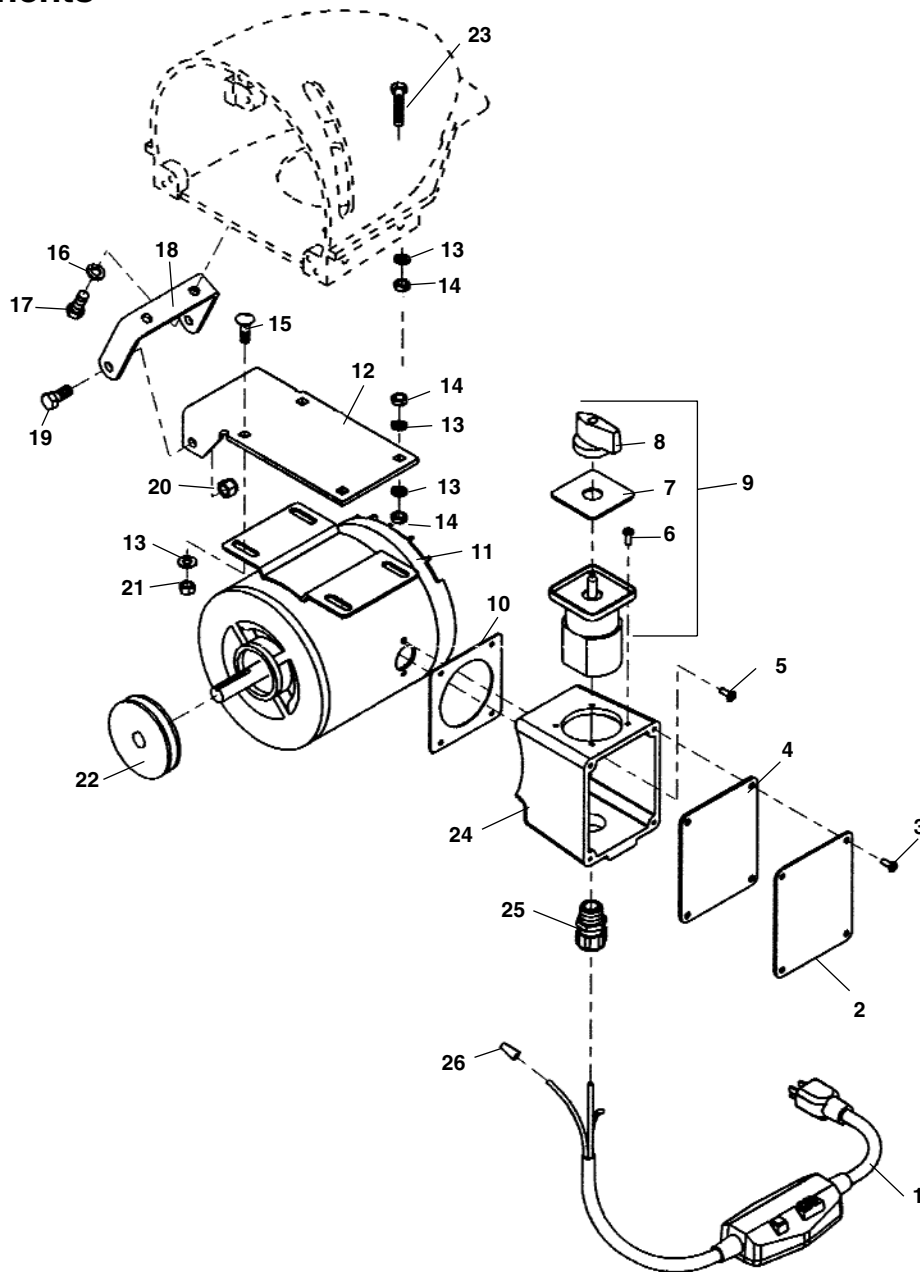
**Main Components**



**NOTE: Order parts by Catalog Number Only.  
DO NOT order by Reference Number.**

| Ref. No. | Catalog No. | Description                           | Ref. No. | Catalog No. | Description                    |
|----------|-------------|---------------------------------------|----------|-------------|--------------------------------|
| 1        | 23657       | Label (K-75A)                         | 18       | 59575       | Clutch Handle                  |
|          | 24102       | Label (K-75B)                         | 19       | 59585       | Clutch Knob                    |
|          | 23662       | Label (K-1500A)                       | 20       | 23552       | Main Bearing                   |
|          | 24097       | Label (K-1500B)                       | 20       | 45247       | Main Bearing (SP Models Only)  |
|          | 45232       | Label (SP Models Only)                | 21       | 89815       | Grease Fittings                |
| 2        | 44510       | Screw                                 | 22       | 23592       | Pin (2)                        |
| 3        | 23652       | Screw (3)                             | 23       | 34175       | Retaining Ring (2)             |
| 4        | 23547       | Front Guard                           | 24       | 68875       | Screw (3)                      |
| 5        | 84425       | Screw (2)                             | 25       | 61015       | Roller (2)                     |
| 6        | 59500       | Nose Piece (Incl. Ref. #29)           | 26       | 60265       | Screw (2)                      |
| 7        | 59330       | Jaw Assembly (K-75) 5/8" Cable        | 27       | 23562       | Pulley & Shaft Assembly        |
|          | 59325       | Jaw Assembly (K-75/K-1500) 7/8" Cable | 28       | 23577       | V-Belt                         |
|          | 59320       | Jaw Assembly (K-1500) 1 1/4" Cable    | 29       | 76730       | Screw (6)                      |
| 8        | 90105       | Pin (3)                               | 30       | 23632       | Warning Label                  |
| 9        | 78780       | Retaining Ring                        |          | 45282       | Warning Label (SP Models Only) |
| 10       | 59530       | Rocker Arm Set                        | 31       | 23542       | Body                           |
| 11       | 60155       | Spring (3)                            | 32       | 60910       | Screw                          |
| 12       | 60150       | Rocker Arm Pin                        | 33       | 60935       | Lock & Adj. Nut (Incl. #2)     |
| 13       | 60145       | Rocker Arm Kit                        | 34       | 60930       | Ball Bearing                   |
| 14       | 23567       | Inside Guard                          | 35       | 59580       | Guide Hose Pin (2)             |
| 15       | 23572       | Clutch Cone                           | 36       | 87405       | Screw (4)                      |
| 16       | 23677       | Thrust Bearing Assembly               |          | 43757       | Screw (4) (SP Models Only)     |
| 17       | 23557       | Clutch Casting                        |          |             |                                |

**Motor Components**

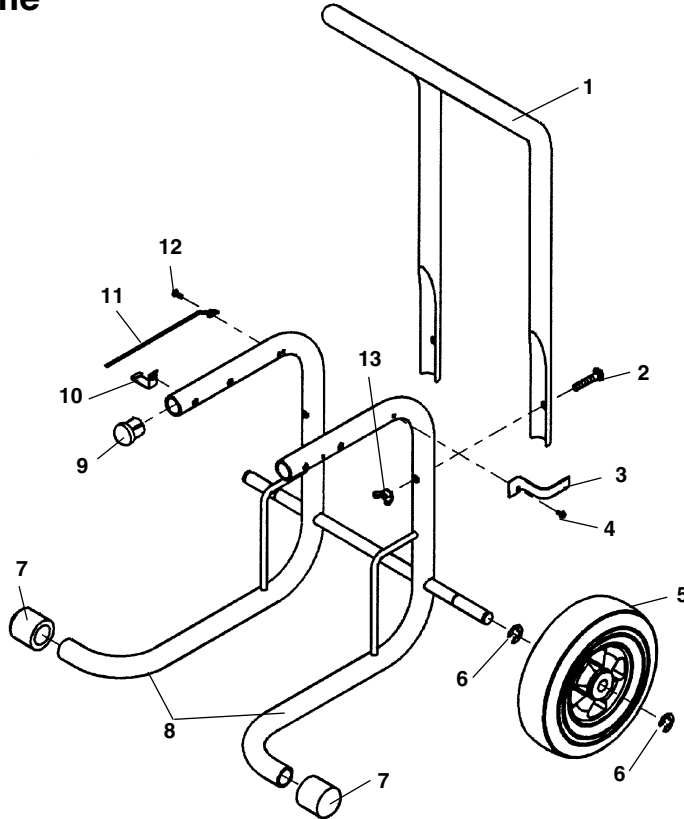


**NOTE: Order parts by Catalog Number Only.  
DO NOT order by Reference Number.**

| Ref. No. | Catalog No. | Description                             | Ref. No. | Catalog No. | Description                         |
|----------|-------------|---|----------|-------------|-------------------------------------|
| 1        | 50502       | Line Cord w/GFCI                        | 13       | 60080       | Lock Washer 5/16" (6)               |
|          | 45022       | Line Cord 110V - U.K.                   | 14       | 61115       | Jam Nut 5/16" - 18 (3)              |
|          | 39562       | Line Cord - Europe                      | 15       | 96260       | Carriage Bolt 5/16" - 18 x 3/4" (3) |
|          | 15707       | Line Cord - Export                      | 16       | 60085       | A-2290 Lock Washer (2)              |
| 2        | 45272       | Cover Plate                             | 17       | 60380       | A-2481 Screw (2)                    |
| 3        | 59990       | Screw #10                               | 18       | 23642       | Motor Bracket                       |
| 4        | 45267       | Cover Plate Gasket                      | 19       | 59785       | A-210 Screw (2)                     |
| 5        | 43932       | A-2256 Screw (2)                        | 20       | 43947       | Lock Nut 3/8" - 16 (2)              |
| 6        | 59727       | Switch Mounting Screw (4)               | 21       | 60230       | Hex Nut 5/16" - 18 (3)              |
| 7        | 59712       | Switch Plate                            | 22       | 45227       | Pulley                              |
| 8        | 59702       | Switch Knob                             | 23       | 43757       | Hex Screw 5/16" - 18 x 2"           |
| 9        | 59757       | Switch Assembly (Includes Ref. No. 6-8) | 24       | 45262       | Switch Box                          |
| 10       | 45257       | Switch Box Gasket                       | 25       | 50512       | Strain Relief                       |
| 11       | 45237       | Motor 1 Hp                              | 26       | 44635       | Wire Nut                            |
| 12       | 54582       | Motor Table                             |          |             |                                     |

**K-75A  
K-75B  
K-1500A  
K-1500B  
K-1500ASP  
K-1500BSP**

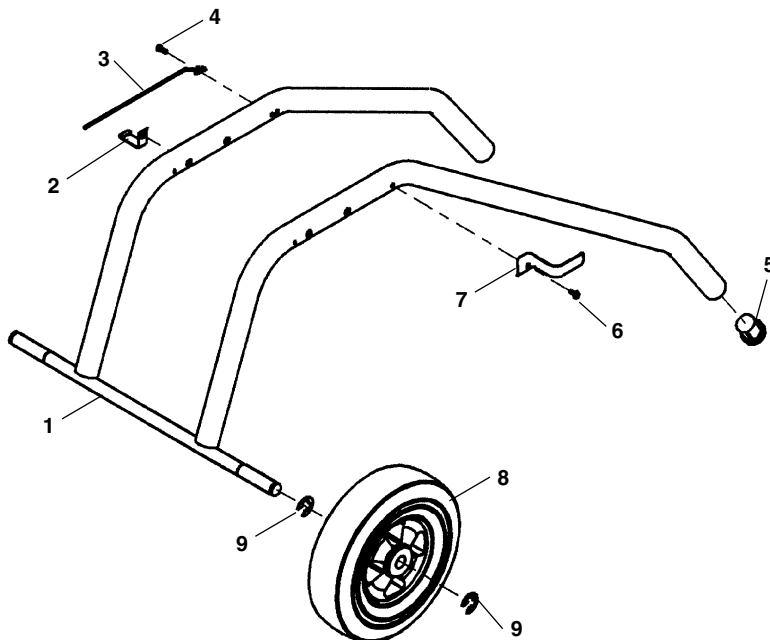
**A Frame**



**NOTE: Order parts by Catalog Number Only.  
DO NOT order by Reference Number.**

| Ref. No. | Catalog No. | Description                   |
|----------|-------------|-------------------------------|
| 1        | 23537       | Handle (Type "A")             |
| 2        | 23617       | Bolt (2)                      |
| 3        | 61965       | Cord Hook w/Screw (2)         |
| 4        | 61500       | A-427 Screw (2)               |
| 5        | 23602       | Wheel (K-75, K-1500) (2)      |
| 6        | 23597       | Wheel (SP Models Only) (2)    |
| 7        | 60050       | A-2281 Retaining Ring (4)     |
| 8        | 23607       | Leg End Cap (2)               |
| 9        | 23532       | Frame Assembly                |
| 10       | 61470       | A-394 Rubber Plug (2)         |
| 11       | 23647       | Tool Clip Bracket             |
| 12       | 23622       | Tool Clip                     |
| 13       | 59990       | A-2256 Screw                  |
|          | 45217       | A-7875 Screw (SP Models Only) |
|          | 45385       | E-3328 Wing Nut (2)           |

**B Frame**



| Ref. No. | Catalog No. | Description                   |
|----------|-------------|-------------------------------|
| 1        | 23672       | Frame Assembly                |
| 2        | 23647       | Tool Clip Bracket             |
| 3        | 23622       | Tool Clip                     |
| 4        | 59990       | A-2256 Screw                  |
| 5        | 45217       | A-7875 Screw (SP Models Only) |
| 6        | 61470       | A-394 Rubber Plug (2)         |
| 7        | 61500       | A-427 Screw (2)               |
| 8        | 61965       | Cord Hook w/Screw (2)         |
| 9        | 23602       | Wheel (K-75, K-1500) (2)      |
|          | 23597       | Wheel (SP Models Only) (2)    |
|          | 60050       | A-2281 Retaining Ring (4)     |