



Operating Instructions and Parts Manual Winch Stacker

Model JWS-770A



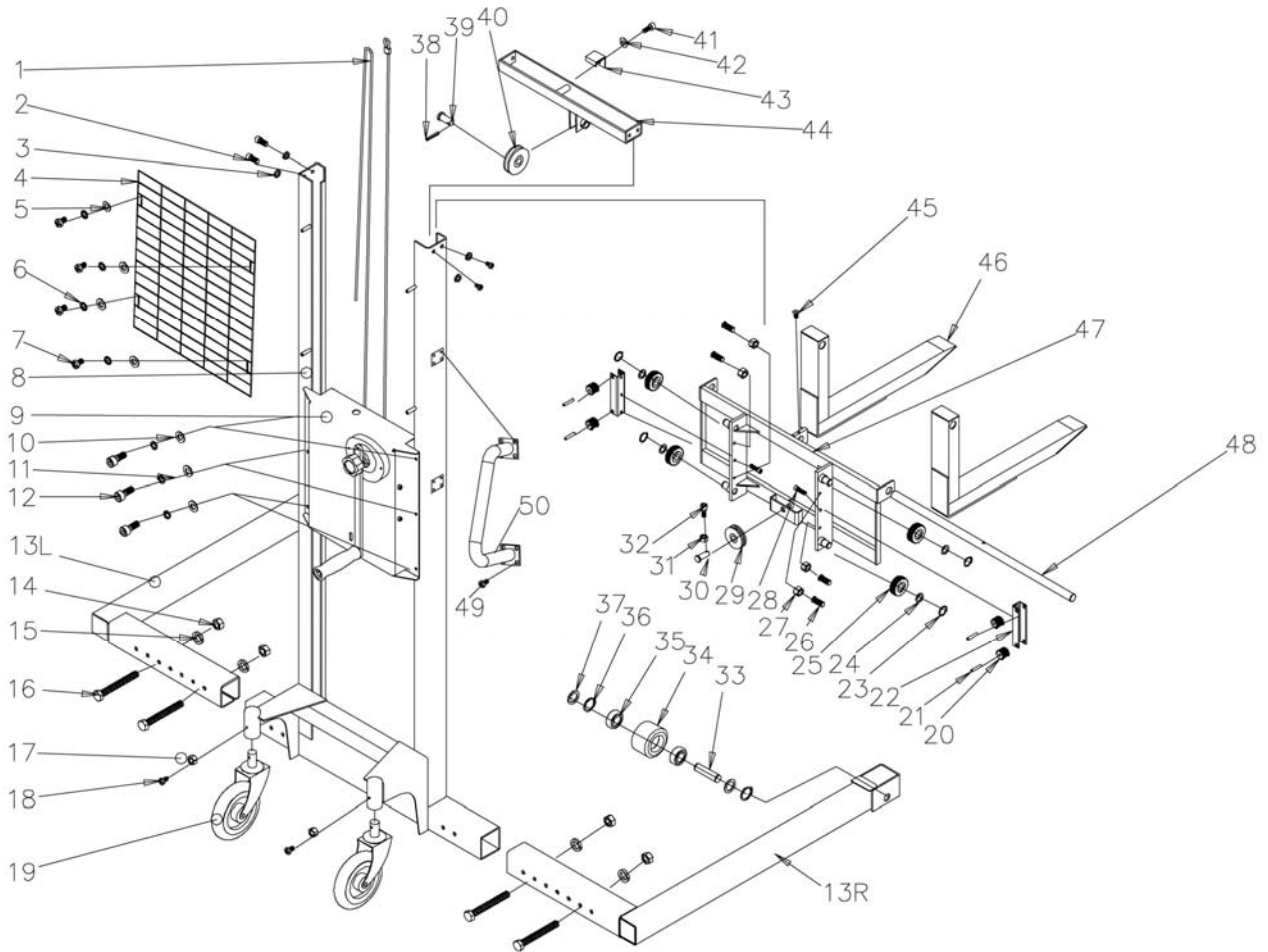
JET
427 New Sanford Road
LaVergne, Tennessee 37086
Ph.: 800-274-6848
www.jettools.com

Part No. M-140511
Revision A2 06/2014
Copyright © 2014 JET

9.0 Replacement Parts

To order parts or reach our service department, call 1-800-274-6848 Monday through Friday (see our website for business hours, www.jettools.com). Having the Model Number and Serial Number of your machine available when you call will allow us to serve you quickly and accurately.

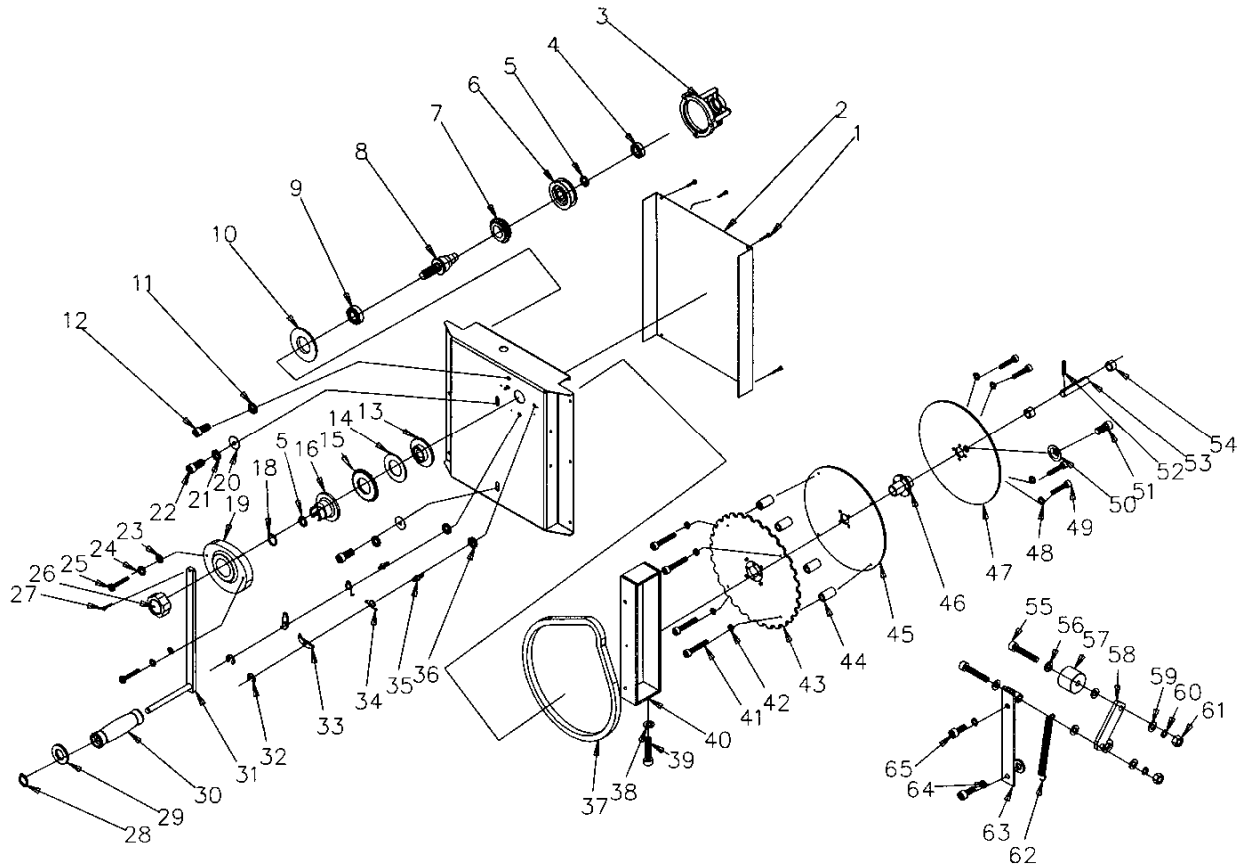
9.1.1 JWS-770A Mast Assembly – Exploded View



9.1.2 JWS-770A Mast Assembly – Parts List

| Index No | Part No | Description | Size | Qty |
|----------|-------------|---------------------------------|------------------------|-----|
| 1 | JWS-02-01 | Wire Rope Assembly | | 1 |
| 2 | TS-1504031 | Socket Head Cap Screw | M8 x 16 | 4 |
| 3 | TS-1551061 | Lock Washer | M8 | 4 |
| 4 | JWS-02-04 | Steel Fence | | 1 |
| 5 | TS-1550031 | Flat Washer | M5 | 4 |
| 6 | TS-1551031 | Lock Washer | M5 | 4 |
| 7 | TS-1533032 | Phillips Pan Head Machine Screw | M5 x 10 | 4 |
| 8 | JWS-03-08 | Mast Assembly | | 1 |
| 9 | JWS-01 | Drive Assembly | | 1 |
| 10 | TS-1550041 | Flat Washer | M6 | 6 |
| 11 | TS-1551041 | Lock Washer | M6 | 6 |
| 12 | TS-1503021 | Socket Head Cap Screw | M6 x 10 | 6 |
| 13L | JWS-03-13L | Outrigger Leg Left | | 1 |
| 13R | JWS-03-13R | Outrigger Leg Right | | 1 |
| 14 | TS-1540071 | Hex Nut | M10 | 4 |
| 15 | TS-1551071 | Lock Washer | M10 | 4 |
| 16 | TS-2239801 | Hex Cap Screw | M10 x 80 | 4 |
| 17 | TS-1540041 | Hex Nut | M6 | 2 |
| 18 | TS-2286252 | Phillips Pan Head Machine Screw | M6 x 25 | 2 |
| 19 | JWS-02-15 | Caster Assembly | Ø 150 x 32 mm | 2 |
| 20 | JWS-02-16 | Side Roller | Ø 29 x Ø 8.6 x 27mm | 4 |
| 21 | JWS-02-17 | Spring Pin | Ø 8 x 35 mm | 4 |
| 22 | JWS-02-18 | Side Roller Bracket | | 2 |
| 23 | JWS-02-19 | Snap Ring | M20 | 4 |
| 24 | JWS-02-20 | Mast Roller Washer | | 4 |
| 25 | JWS-02-21 | Mast Roller | Ø 60 x Ø 20.5 x 22.5mm | 4 |
| 26 | TS-1504051 | Socket Head Cap Screw | M8 x 25 | 4 |
| 27 | TS-1540061 | Hex Nut | M8 | 4 |
| 28 | TS-1504051 | Socket Head Cap Screw | M8 x 25 | 2 |
| 29 | JWS-02-25 | Wire Pulley | Ø 72 x Ø 16.2 x 19mm | 1 |
| 30 | JWS-02-26 | Pulley Pin | Ø 16 x 46 | 1 |
| 31 | TS-1540041 | Hex Nut | M6 | 1 |
| 32 | TS-1503061 | Socket Head Cap Screw | M6 x 25 | 1 |
| 33 | JWS-02-29 | Load Wheel Pin | Ø 20 x 79 mm | 2 |
| 34 | JWS-02-30 | Load Wheel | Ø 82 x 55 mm | 2 |
| 35 | BB-6204ZZ | Ball Bearing | 6204ZZ | 4 |
| 36 | JWS-02-32 | Load Wheel Washer | | 4 |
| 37 | JWS-02-19 | Snap Ring | M20 | 4 |
| 38 | JWS-01-52 | Spring Pin | Ø 4 x 25 mm | 1 |
| 39 | JWS-02-35 | Pulley Pin | Ø 16 x 46 mm | 1 |
| 40 | JWS-02-36 | Wire Pulley | Ø 72 x Ø 16.2 x 19mm | 1 |
| 41 | TS-1503021 | Socket Head Cap Screw | M6 x 10 | 1 |
| 42 | TS-1551041 | Lock Washer | M6 | 1 |
| 43 | JWS-02-39 | Wire Lock | | 1 |
| 44 | JWS-02-40 | Mast Cross Bar | | 1 |
| 45 | TS-1503061 | Socket Head Cap Screw | M6 x 25 | 1 |
| | TS-1540041 | Hex Nut | M6 | 1 |
| 46 | JWS-03-46 | Fork | | 2 |
| 47 | JWS-03-47 | Carriage | | 1 |
| 48 | JWS-03-48 | Fork Shaft | Ø 25 x 775 mm | 1 |
| 49 | TS-1503021 | Socket Head Cap Screw | M6 x 10 | 16 |
| 50 | JWS-03-50 | Rubber Grip Handle | | 2 |
| | JWS-FW | Fork Warning Label | | 1 |
| | PT2748J-JET | JET Logo Label | | 2 |

9.2.1 JWS-770A Drive Assembly – Exploded View



9.2.2 JWS-770A Drive Assembly – Parts List

| Index No | Part No | Description | Size | Qty |
|----------|------------|-------------------------------------------|--------------------|-----|
| | JWS-01 | Drive Assembly (index #1 through 65)..... | | |
| 1 | JWS-01-01 | Self-Tapping Screw | M4.8 x 16 | 4 |
| 2 | JWS-01-02 | Cover | | 1 |
| 3 | JWS-01-03 | Brake Base | | 1 |
| 4 | BB-6003ZZ | Ball Bearing | 6003ZZ | 1 |
| 5 | JWS-01-05 | Washer | Ø25 x Ø17 x 2 mm | 1 |
| 6 | JWS-01-06 | Idler | Ø70 x Ø20 x 20 mm | 1 |
| 7 | JWS-01-07 | Free Wheel | | 1 |
| 8 | JWS-01-08 | Input Shaft | | 1 |
| 9 | BB-6004ZZ | Ball Bearing | 6004ZZ | 1 |
| 10 | JWS-01-10 | Bearing Case | | 1 |
| 11 | TS-1551061 | Lock Washer | M8 | 1 |
| 12 | TS-1504031 | Socket Head Cap Screw | M8 x 15 | 1 |
| 13 | JWS-01-13 | Friction Disc | | 1 |
| 14 | JWS-01-14 | Lining | | 1 |
| 15 | JWS-01-15 | Ratchet Wheel | | 1 |
| 16 | JWS-01-16 | Handle Base | | 1 |
| 18 | JWS-01-18 | Snap Ring | M16 | 1 |
| 19 | JWS-01-19 | Brake Cover | | 1 |
| 20 | JWS-01-20 | Washer | Ø31.5 x Ø9 x 1.5mm | 2 |
| 21 | TS-1551061 | Lock Washer | M8 | 2 |
| 22 | TS-1504031 | Socket Head Cap Screw | M8 x 15 | 2 |
| 23 | TS-1550021 | Flat Washer | M4 | 2 |
| 24 | TS-1551021 | Lock Washer | M4 | 2 |

| Index No | Part No | Description | Size | Qty |
|----------|------------|---------------------------------|---------------------|-----|
| 25 | TS-2284252 | Phillips Pan Head Machine Screw | M4 x 25 | 2 |
| 26 | JWS-01-26 | Handle Nut | | 1 |
| 27 | JWS-01-27 | Self-Tapping Screw | M4.8 x 8 | 1 |
| 28 | JWS-01-28 | Snap Ring | M12 | 1 |
| 29 | TS-2360121 | Flat Washer | M12 | 1 |
| 30 | JWS-01-30 | Handle Knob | | 1 |
| 31 | JWS-01-31 | Handle Arm | | 1 |
| 32 | JWS-01-32 | E-Ring | M6 | 2 |
| 33 | JWS-01-33 | Ratchet | | 2 |
| 34 | JWS-01-34 | Ratchet Spring | | 2 |
| 35 | JWS-01-35 | Ratchet Bolt | | 2 |
| 36 | TS-1551061 | Lock Washer | M8 | 2 |
| 37 | JWS-01-37 | Drive Chain | | 1 |
| 38 | TS-1550061 | Flat Washer | M8 | 1 |
| 39 | TS-1504051 | Socket Head Cap Screw | M8 x 25 | 1 |
| 40 | JWS-01-40 | Wire Drum Case | | 1 |
| 41 | TS-1502071 | Socket Head Cap Screw | M5 x 30 | 4 |
| 42 | TS-1551031 | Lock Washer | M5 | 4 |
| 43 | JWS-01-43 | Sprocket | | 1 |
| 44 | JWS-01-44 | Spacer | | 4 |
| 45 | JWS-01-45 | Drum Plate | | 1 |
| 46 | JWS-01-46 | Connector | | 1 |
| 47 | JWS-01-47 | Drum Plate | | 1 |
| 48 | TS-1551041 | Lock Washer | M6 | 4 |
| 49 | TS-1503071 | Socket Head Cap Screw | M6 x 30 | 4 |
| 50 | JWS-01-50 | Wire Lock | | 1 |
| 51 | TS-1504011 | Socket Head Cap Screw | M8 x 10 | 1 |
| 52 | JWS-01-52 | Spring Pin | Ø 4 x 25 mm | 1 |
| 53 | JWS-01-53 | Wire Drum Pin | | 1 |
| 54 | JWS-01-54 | Spacer | Ø 16 x Ø 20 x 14mm | 1 |
| 55 | TS-1503081 | Socket Head Cap Screw | M6 x 35 | 2 |
| 56 | TS-1550041 | Flat Washer | M6 | 2 |
| 57 | JWS-01-57 | Roller | Ø 25 x Ø 6.1 x 20mm | 1 |
| 58 | JWS-01-58 | Roller Bracket | | 1 |
| 59 | TS-1550041 | Flat Washer | M6 | 2 |
| 60 | TS-1551041 | Lock Washer | M6 | 2 |
| 61 | TS-1540041 | Hex Nut | M6 | 2 |
| 62 | JWS-01-62 | Spring | | 1 |
| 63 | JWS-01-63 | Bracket | | 1 |
| 64 | TS-1551041 | Lock Washer | M6 | 2 |
| 65 | TS-1503021 | Socket Head Cap Screw | M6 x 10 | 2 |
| | JWS770A-ID | ID/Warning Label (JWS-770A) | | 1 |
| | JWS-LCW | Load Center Warning Label | | 1 |



427 New Sanford Road
LaVergne, Tennessee 37086
Phone: 800-274-6848
www.jettools.com