



Assembly Instructions and Parts List

Stand for JWL-1221VS Lathe

Stock No. 719202

WARNING Read and understand the entire owner's manual that accompanied your JWL-1221VS lathe before attempting assembly or operation of accessories.

Inspect contents for shipping damage. Report any damage or part shortages to your distributor. Do not discard shipping materials until accessory is set up and functioning properly.

Shipping contents

- 1 Tool basket assembly
- 1 Cross bar
- 2 Stands
- 2 Tubes
- 2 Brackets
- 2 Hex cap screws, M12x35mm
- 2 Lock washers, M12
- 2 Flat washers, M12
- 4 Socket head cap screws, 5/16x1-1/4"
- 4 Socket head button screws, 5/16x1"
- 8 Socket head button screws, 5/16x1/2"
- 8 Lock washers, 5/16"
- 12 Flat washers, 5/16"
- 4 Levelers with 3/8" hex nut

Tools required for assembly

5mm and 6mm hex keys ("Allen wrenches")
Ratchet wrench with 19mm socket and extension
9/16" (or adjustable) wrench

Assembly

(Parts in brackets refer to index numbers in the exploded view.)

1. Install a leveler [18] with nut [19] at each end of a stand [2]. The levelers can be adjusted for height, and the hex nut tightened up against the stand [2] to secure the setting.
2. Assemble each stand [2] (the recess will face outward) to a tube [3], with hex cap screw [6], lock washer [16] and flat washer [15]. The

holes in the tubes should face inward. Firmly tighten the screw.

3. Mount a bracket [1] to each leg set (the ledge will face inward) with two 5/16x1" button head screws [17] and lock washers [13]. Multiple holes allow adjustment of lathe height. **Do not fully tighten yet.**



4. Install cross bar [8] and tool tray [7] between the legs with 5/16x1/2" button head screws [5] and flat washers [12]. **Do not fully tighten cross bar or tool tray yet.**
5. With help from an assistant, place your lathe onto the stand brackets, and secure with four 5/16x1-1/4 socket head cap screws [14], lock washers [13] and flat washers [12]. Firmly tighten screws.
6. Fully tighten all screws used in steps 2 thru 4.

Specifications

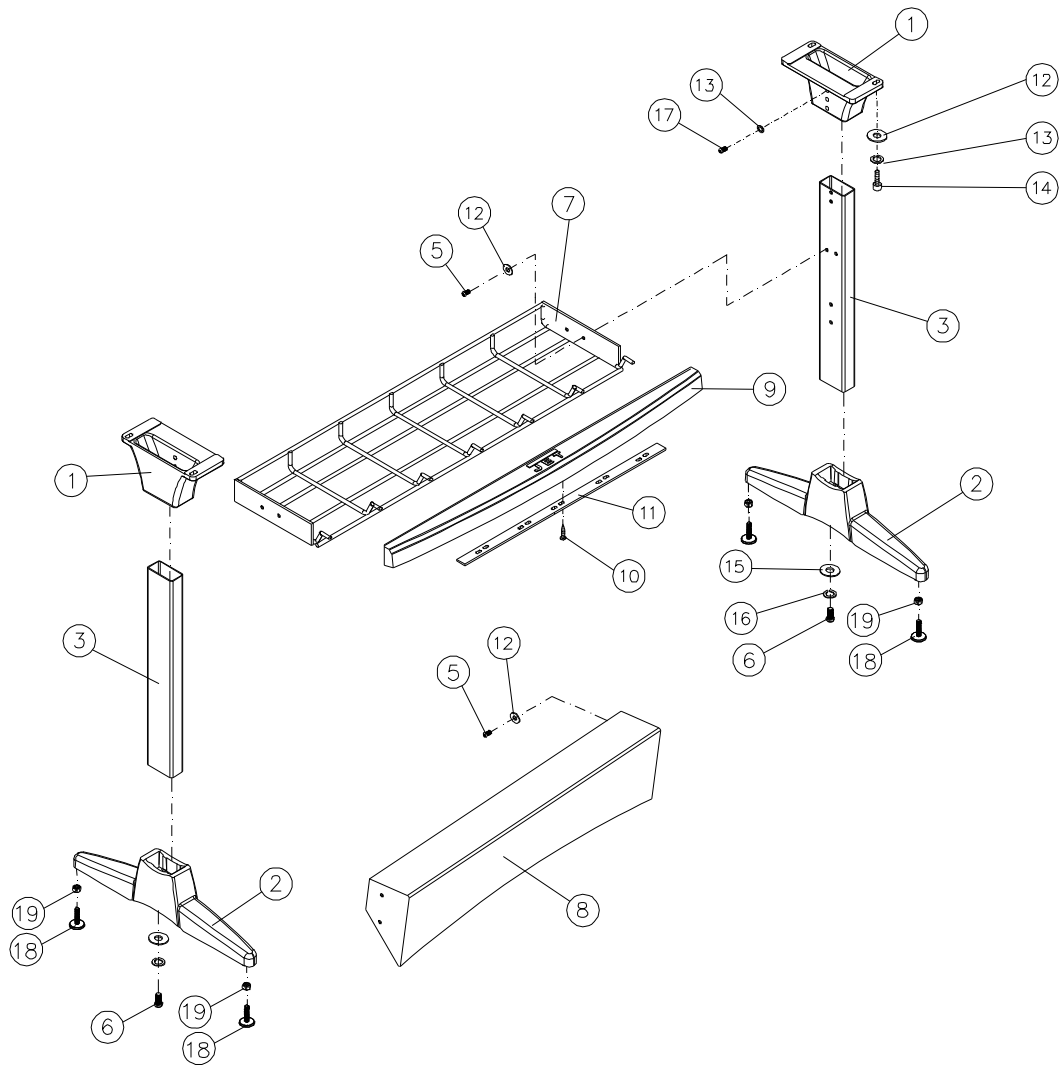
Stock number:..... 719202
Assembled dimensions:.. 788 x 574 x 719 mm
(31"L x 22.6"W x 28.3"H)
Net weight: 33 kg (72.75 lb)
Shipping dimensions: 760 x 710 x 205 mm
(29.92 x 27.95 x 8.07")
Shipping weight: 36kg (79.37 lb)

JET
427 New Sanford Road
LaVergne, Tennessee 37086
Ph.: 800-274-6848
www.jettools.com

Part No. M-719202
Revision B3 06/2015

Copyright © 2015 JET, a Division of JPW Industries, Inc.

719202 Stand for JWL-1221VS Lathe



Index No	Part No	Description	Size	Qty
1	JWL1221VS-401	Upper Bracket		2
2	JWL1221VS-402A	Stand Foot		2
3	JWL1221VS-403	Tube		2
4	JWL1221VS-404	Machine Head		1
5	TS-0255021	Socket Head Button Screw	5/16"-18x1/2"	8
6	TS-1492031	Hex Cap Screw	M12-1.75Px35	2
7	JWL1221VS-407	Tool Tray		1
8	JWL1221VS-408	Cross Bar		1
9	JWL1221VS-409	Tool Tray Cover		1
10	JWL1221VS-410	Machine Tapping Screw	3.5x10	10
11	JWL1221VS-411A	Plate		1
12	TS-0680031	Flat Washer	5/16"	12
13	TS-0720081	Lock Washer	5/16"	8
14	TS-0208071	Socket Head Cap Screw	5/16"-18x1-1/4"	4
15	TS-0680061	Flat Washer	M12	2
16	TS-2360121	Lock Washer	M12	2
17	JWL1221VS-417	Socket Head Button Screw	5/16"-18x1"	4
18	JWL1015-204	Leveler		4
19	TS-0561031	Hex Nut	3/8"-16	4
	JWL1221VS-420	Stand Foot with Levelers Assembly (includes #2,18,19)		2

To order parts or reach our service department, call 1-800-274-6848 Monday through Friday (see our website for business hours, www.jettools.com). Having the Model Number and Serial Number of your machine available when you call will allow us to serve you quickly and accurately.