



Operating Instructions and Parts Manual

12x21-inch EVS Woodworking Lathe

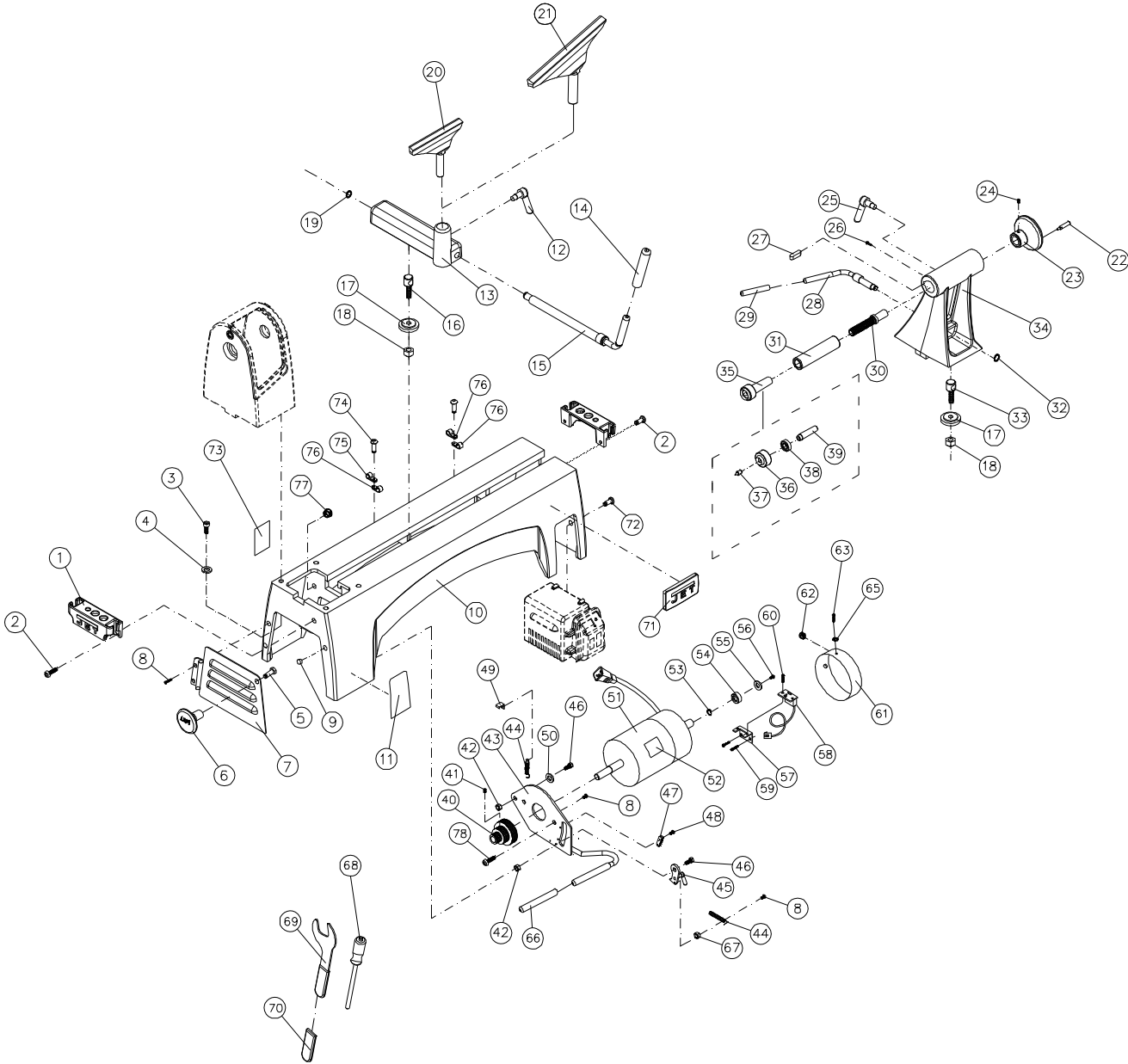
Model JWL-1221VS



JET
427 New Sanford Road
LaVergne, Tennessee 37086
Ph.: 800-274-6848
www.jettools.com

Part No. M-719200
Revision C1 12/2014
Copyright © 2014 JET

16.1.1 Bed Assembly – Exploded View

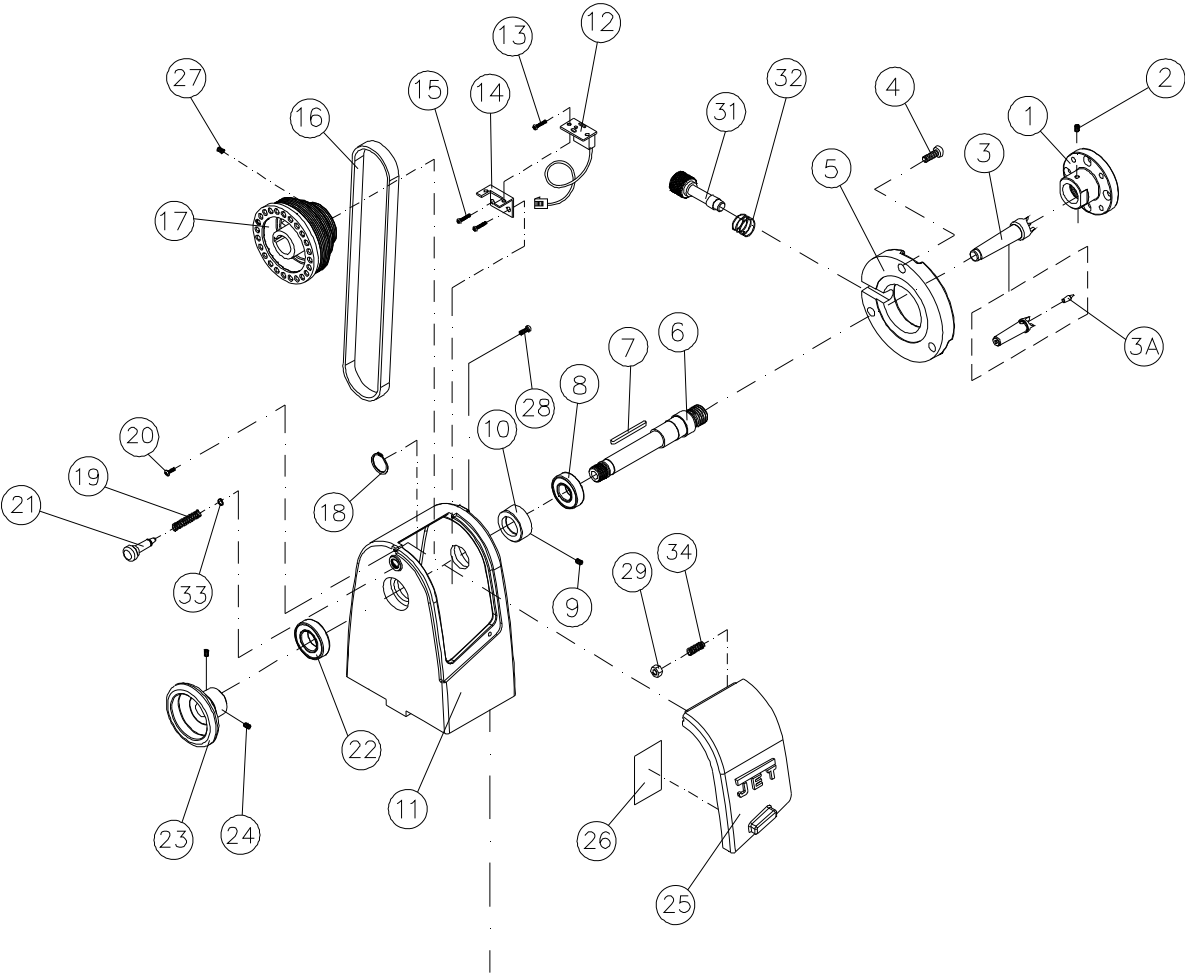


16.1.2 Bed Assembly – Parts List

Index No	Part No	Description	Size	Qty
1	JWL1221VS-201	Tool Caddy		2
2	TS-0255021	Socket Head Button Screw	5/16"-18x1/2"	4
3	TS-0207071	Socket Head Cap Screw	1/4"-20x1-1/4"	4
4	TS-0720071	Lock Washer	1/4"	4
5	TS-1490021	Hex Cap Screw	M8x16	1
6	6295717	Knob		1
7	JWL1221VS-207	Motor Pulley Access Door		1
8	TS-081C022	Pan Head Screw	#10-24X3/8"	3
9	JWL1221VS-209	Magnet		1
10	JWL1221VS-210	Bed		1
11	JWL1221VS-211	Warning Label		1
	JWL1221VS-TBA	Toolrest Base Assembly (includes #12 thru #19)		1
12	JML-59A	Lock Handle Assembly	5/16"-18x5/8"	1
13	JWL1221VS-213	Toolrest Base		1
14	JWL1221VS-214	Rubber Cover		1
15	JWL1221VS-215	Eccentric Rod		1
16	JWL1221VS-216	Toolrest Clamp Bolt		1
17	JML-44	Clamp		2
18	JML-81	Hex Nut		2
19	JML-49	C-Ring	STW-12	1
20	JWL1220-142	Toolrest	6"	1
21	JWL1220-142A	Toolrest	10"	1
	JWL1221VS-TA	Tailstock Assembly (includes # 17, 18, 22 thru #34)		1
	JWL1221VS-THA	Tailstock Handwheel Assembly (includes #22 thru #24)		1
22	JWL1221VS-222	Handle		1
23	JWL1221VS-223	Handwheel		1
24	TS-0267021	Set Screw	1/4"-20x1/4"	2
25	JML-45A	Lock Handle Assembly, Tailstock	5/16"-18x3/4"	1
26	JWL1221VS-115	Socket Head Button Screw	#10-32x5/8"	1
27	JWL1221VS-227	Key		1
28	JML-58	Eccentric Rod, Tailstock		1
29	JWL1221VS-229	Rubber Cover		1
30	JWL1221VS-230	Lead Screw		1
31	JWL1221VS-231	Quill		1
32	JML-63	C-Ring	STW-10	1
33	JWL1221VS-233	Tailstock Clamp Bolt		1
34	JWL1221VS-234	Tailstock		1
35	708331	Live Center Assembly (includes #36 thru #39)		1
36	JML-52	Live Center Head		1
37	JML-52A	Center Point for Live Center		1
38	BB-6002ZZ	Ball Bearing	6002ZZ	1
39	JML-54	Live Center Shaft		1
40	JWL1221VS-240	Motor Pulley		1
41	6295796	Nylon Insert Socket Set Screw	1/4"-20x3/8"	2
42	TS-0640081	Nylon Nut	5/16"-18	2
43	JWL1221VS-243	Motor Plate		1
44	JWL1221VS-244	Spring		2
45	JWL1221VS-245	Ratchet Key		1
46	TS-0051061	Hex Cap Screw	5/16"-18x1-1/4"	2
47	JWL1221VS-247	Rack		1
48	TS-081C011	Pan Head Screw	#10-24x1/4"	2
49	JWL1221VS-249	Hook		1
50	TS-0680031	Flat Washer	5/16"	1
	JWL1221VS-MASS...	Motor Assembly with Sensor set (includes #51 thru #65)		1
51	JWL1221VS-251	DC Motor (includes #51 & #52)		1
52	JWL1221VS-252	Motor Label		1
53	JWL1221VS-253	C-Ring	STW-17	1
54	JWL1221VS-254	Special Magnet Collar		1
55	JWL1221VS-255	Washer		1
56	TS-1533032	Pan Head Screw	M5-0.8Px10	1

Index No	Part No	Description	Size	Qty
57	JWL1221VS-257	Bracket		1
58	JWL1221VS-258	Sensor, Motor		1
59	TS-1533042	Pan Head Screw	M5-0.8Px12	2
60	TS-2283102	Pan Head Screw	M3-0.5Px10	2
61	JWL1221VS-261	Motor Cover		1
62	JWL1221VS-262	Strain Relief		1
63	TS-2284082	Pan Head Screw	M4x8	3
64	JWL1221VS-264	Motor Carbon Brush with Cap (not shown)		2
65	TS-0733031	External Tooth Lock Washer	#10	2
66	JWL1221VS-266	Rubber Cover		1
67	TS-0560071	Hex Nut	#10-24	1
68	JWL1221VS-268	Knockout Rod		1
69	JWL1221VS-269	Wrench (includes #70)		1
70	JWL1221VS-270	Rubber Cover		1
71	JET-92	JET Logo with 3M Adhesive	92x38mm	1
72	TS-081C072	Pan Head Screw	#10-24x1-14"	2
73	JWL1221VS-273	ID Label		1
74	TS-0253031	Socket Head Button Screw	#10-24x1/2"	2
75	JWL1221VS-275	Clamp	3/8"	1
76	JWL1221VS-276	Clamp	1/2"	3
77	JWL1221VS-277	Cord Snap Ring		1
78	TS-0254021	Socket Head Button Screw	1/4-20 x 1/2"	2

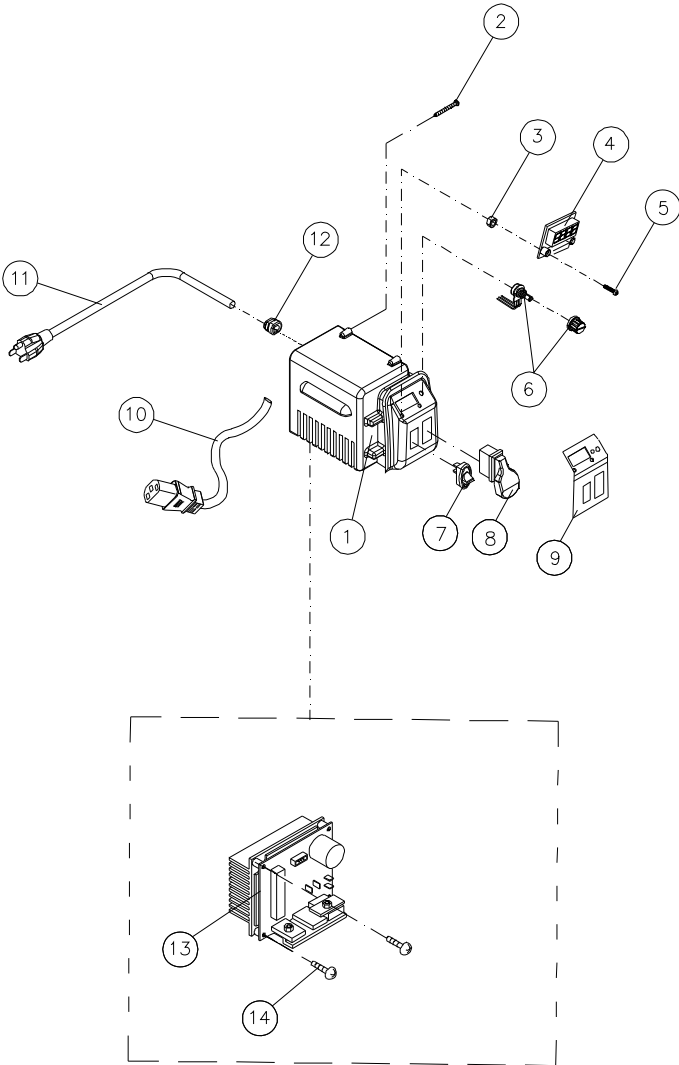
16.2.1 Headstock Assembly – Exploded View



16.2.2 Headstock Assembly – Parts List

Index No	Part No	Description	Size	Qty
	JWL1221VS-HA	Headstock Assembly (<i>includes #4 thru #34</i>)		1
1	JWL1221VS-101	Faceplate	3"	1
2	JWL1221VS-102	Nylon Insert Socket Set Screw	1/4-20x1/4"	2
3	JML-3	Spur Center	MT2	1
3A	JML-3A	Center Point for Spur Center		1
4	TS-0253031	Socket Head Button Screw	#10-24X1/2"	3
5	JWL1221VS-105A	Cover (<i>serial #1302315 and higher</i>)		1
6	JWL1221VS-106A	Spindle	1"-8TPI	1
7	JML-5	Key	5x5x25mm	1
8	BB-6005VV	Ball Bearing	6005VV	1
9	TS-1521021	Set Screw	M4*0.7Px6	1
10	JWL1221VS-110	Spindle Sensor Collar		1
11	JWL1221VS-111	Headstock		1
12	JWL1221VS-112	Sensor, Headstock		1
13	TS-2283102	Pan Head Screw	M3x0.5Px10	2
14	JWL1221VS-114	Bracket		1
15	JWL1221VS-115	Socket Head Button Screw	#10-32x5/8"	2
16	JWL1221VS-116	V-Belt	310J	1
17	JWL1221VS-117	Spindle Pulley		1
18	6295710	C-ring	S-25	1
19	JML1014-188	Spring		1
20	JWL1221VS-120	Pan Head Screw	M3x35	1
21	JML1014-189	Index Pin		1
22	BB-6004VV	Ball Bearing	6004VV	1
23	JWL1221VS-123	Handwheel		1
24	TS-0267021	Set Screw	1/4"-20x1/4"	2
25	JWL1221VS-125	Pulley Access Door		1
26	JWL1221VS-126	Speed Label		1
27	TS-0267041	Set Screw	1/4"-20x3/8"	2
28	JWL1221VS-128	Pan Head Screw	M3x50	1
29	4224B-179	Nylon Nut	M3	2
31	JWL1221VS-131A	Spindle Lock Pin (<i>serial #1302315 and higher</i>)		1
32	JWL1221VS-132	Spring		1
33	JML1014-187	C-Ring	STW-9	1
34	JWL1221VS-134	Spring		1

16.3.1 Controller Assembly – Exploded View



16.3.2 Controller Assembly – Parts List

Index No	Part No	Description	Size	Qty
	JWL1221VS-CA	Controller Assembly (includes #1 thru #15)		1
1	JWL1221VS-301	Switch Box		1
2	JWL1221VS-302	Tapping Screw	M3x19	4
3	TS-1540011	Hex Nut	M3	2
4	JWL1221VS-304	Digital Readout		1
5	JWL1221VS-305	Pan Head Screw	M3x20	2
6	JWL1221VS-306	Control Potentiometer Assembly		1
7	4224B-148	Switch Fwd / Rev		1
8	JWL1221VS-308	Main Switch		1
9	JWL1221VS-309	Control Panel Label		1
10	JWL1221VS-310	Motor Cord, Female		1
11	JWL1221VS-311	Power Cord		1
12	JWL1221VS-320	Strain Relief	6B-32	2
13	JWL1221VS-317A	Circuit Board Assembly (serial # 1304627 and higher)		1
14	JWL1221VS-321	Tapping Screw		4
15	JWL1221VS-324	Connection Cord (Power cord to PC Board)(not shown)		1



427 New Sanford Road
LaVergne, Tennessee 37086
Phone: 800-274-6848
www.jettools.com