



Assembly Instructions and Parts List
21" Bed Extension for JWL-1015/1015VS Lathes
Stock No. 719101



⚠ WARNING Read and understand the entire owner's manual that accompanied your JWL-1015 lathe before attempting assembly or operation of accessories.

Inspect contents for shipping damage. Report any damage or part shortages to your distributor. Do not discard shipping materials until accessory is set up and functioning properly.

Shipping contents

- 1 Bed extension
- 2 Socket head screws, 5/16x1
- 2 Lock washers, 5/16
- 2 Flat washers, 5/16
- 1 Positioning plate
- 1 Pan head screw, 1/4x1/2

Tools required for assembly

- 1/4" hex key ("Allen wrench")
- Cross point screwdriver

Assembly

(Bracketed numbers refer to index numbers in the exploded view.)

1. Use the pan head screw [1] to attach plate [2] to end of bed extension [3] where the beds will meet.
2. Place bed extension against lathe bed and hold in place with the plate [2].
3. Insert two socket head screws [6], lock washers [5] and flat washers [4]. Align beds as closely as possible, then snug the screws but do not fully tighten yet.
4. Move tailstock over the seam of lathe bed and bed extension and align the clamping nut in the center where the beds meet. (Shift bed extension as needed until tailstock can slide onto it). Tighten tailstock clamping lever – this will properly align and make flush the beds.
5. Tighten both socket head screws [6].
6. Unlock tailstock, and slide it back and forth across seam to verify smooth travel.

JET
427 New Sanford Road
LaVergne, Tennessee 37086
Ph.: 800-274-6848
www.jettools.com

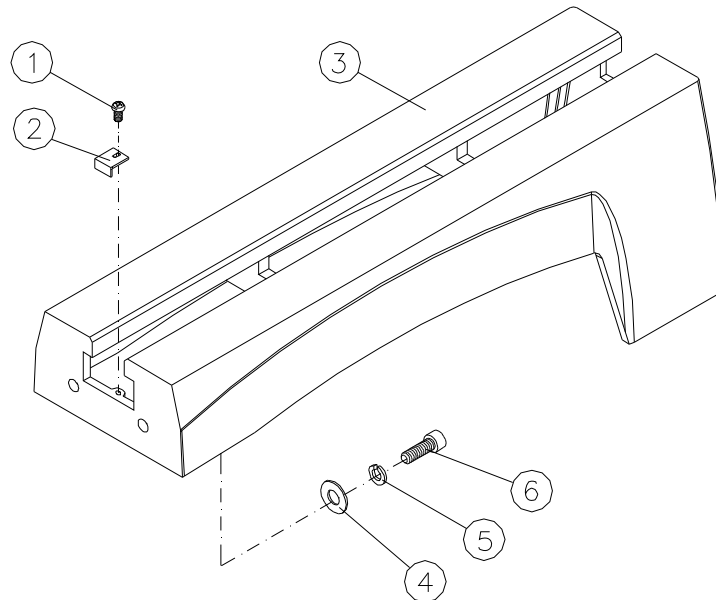
Manual No. M-719101
Revision A1 02/2014
Copyright © 2014 JET

Specifications

Stock number 719101
 Assembled dimensions 21" L x 7-1/4" W
 Net weight 23 lb
 Shipping dimensions 21.61" L x 7.52" W x 8.46" H
 Shipping weight 25 lb

Specifications were current at time of publication, but because of our policy of continuous improvement, JET reserves the right to change specifications at any time and without prior notice, without incurring obligations.

719101 Bed extension (21") for JWL-1015/1015VS lathes



Index No	Part No	Description	Size	Qty
1	TS-081F032	Phillips Pan Head Machine Screw	1/4"-20x1/2"	1
2	JWL1221VS-502	Plate		1
3	JWL1015-303	Extension Bed		1
4	TS-0680031	Flat Washer	5/16"	2
5	TS-0720081	Lock Washer	5/16"	2
6	TS-0208061	Socket Head Cap Screw	5/16"-18x1"	2

To order parts or reach our service department, call 1-800-274-6848 Monday through Friday (see our website for business hours, www.jettools.com). Having the Model Number and Serial Number of your machine available when you call will allow us to serve you quickly and accurately.