



# Operating Instructions and Parts Manual

## 14-inch Woodworking Band Saw

Models JWBS-14SF and JWBS-14SF-3

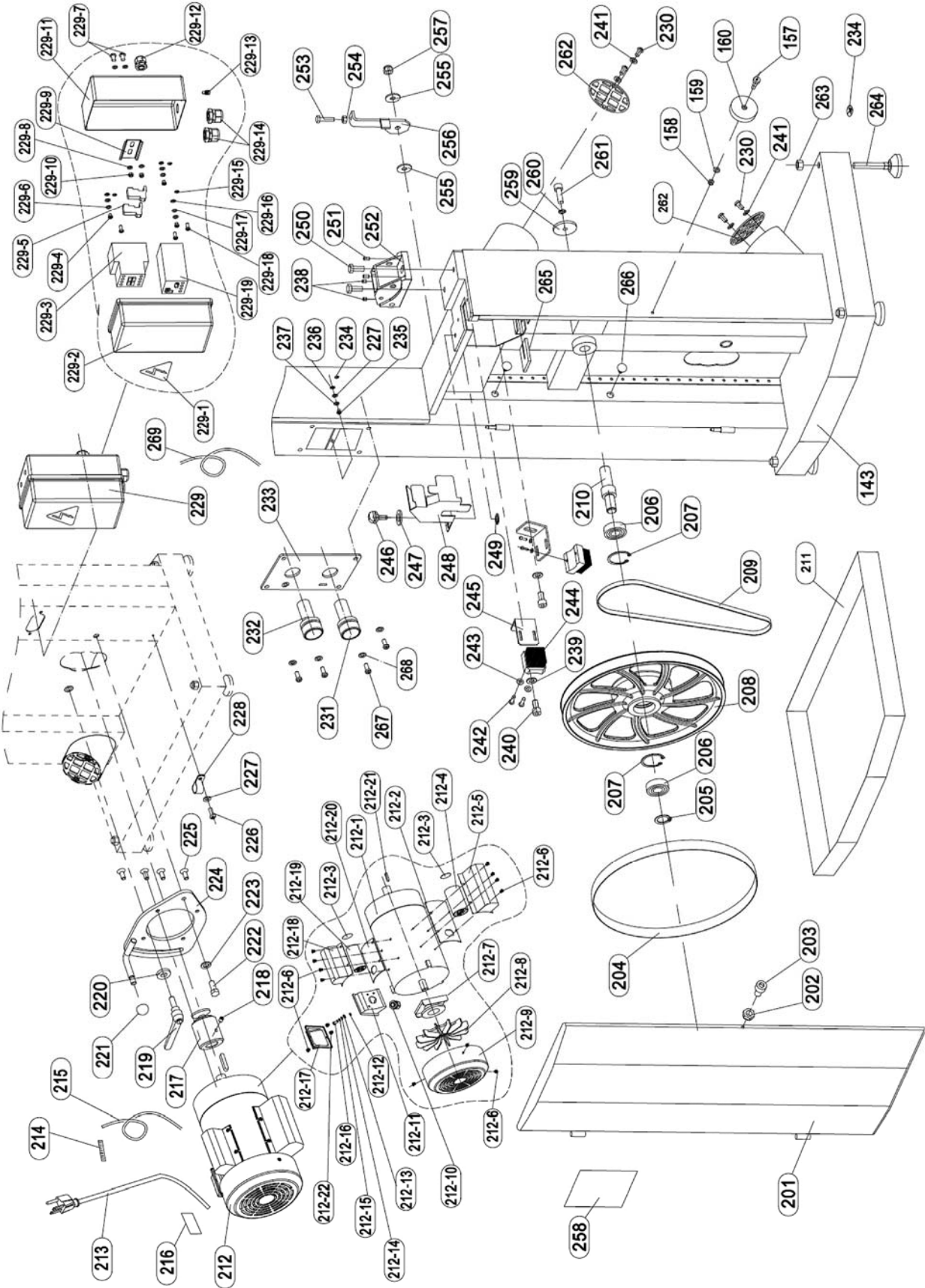


*Model #714500 shown*

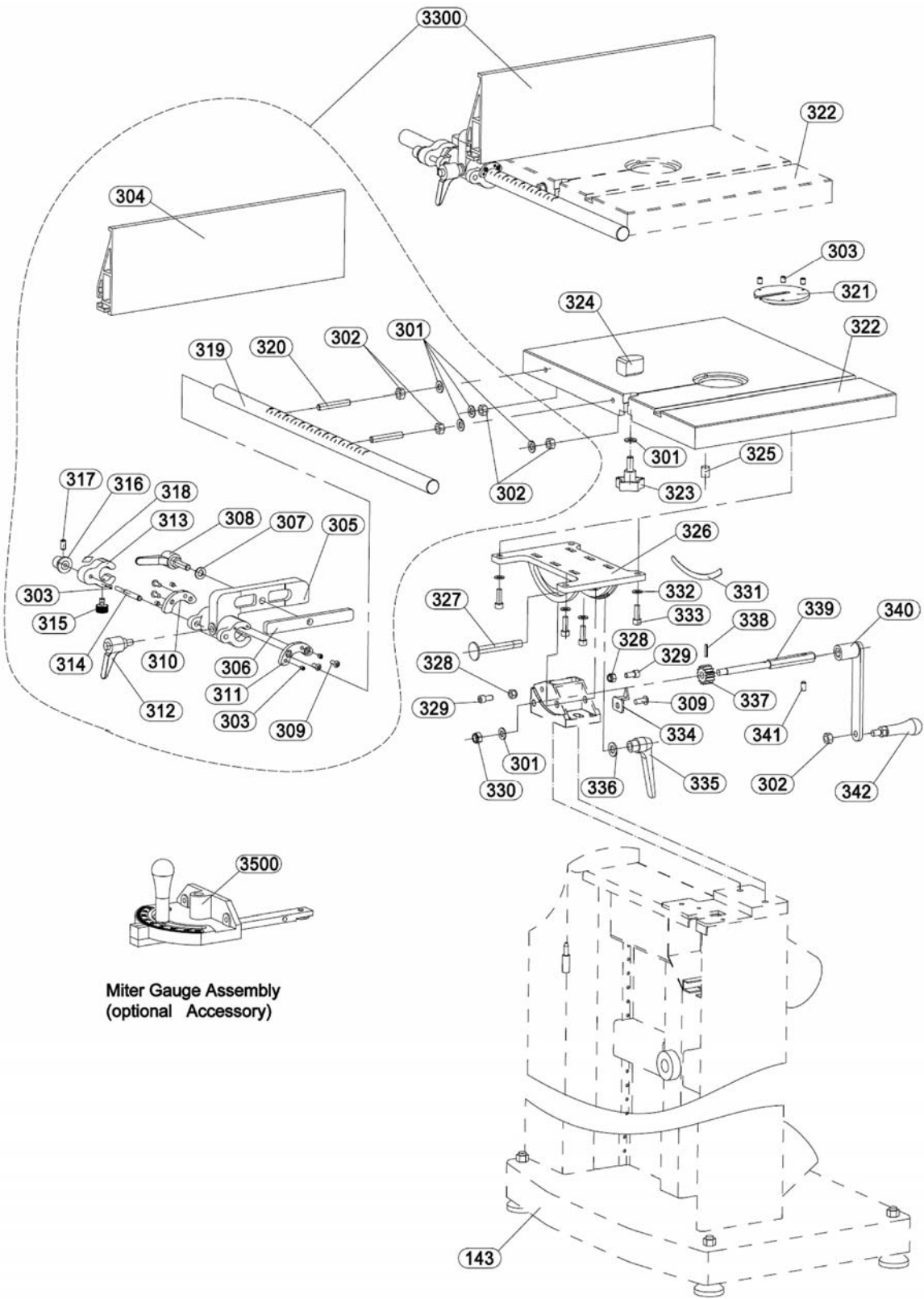
**JET**  
427 New Sanford Road  
LaVergne, Tennessee 37086  
Ph.: 800-274-6848  
[www.jettools.com](http://www.jettools.com)

**Part No. M-714500**  
Revision B 04/2014  
Copyright © 2014 JET

16.2.2 JWBS-14SF-3 (#714550) – Lower Wheel & Motor Assembly – Exploded View



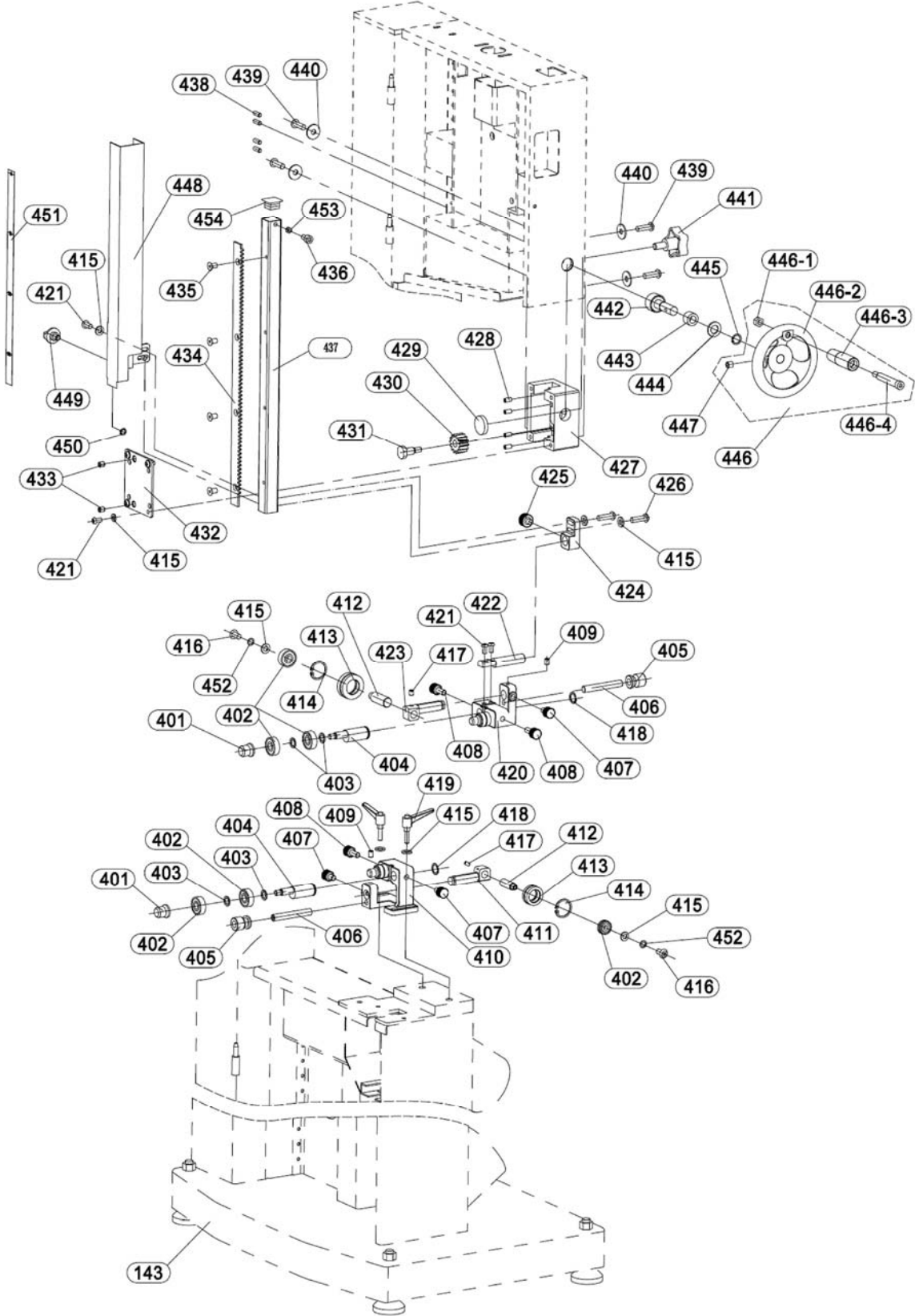
16.2.3 JWBS-14SF-3 (#714550) – Table and Miter Gauge\* Assembly – Exploded View



Miter Gauge Assembly  
(optional Accessory)

\* optional accessory – see your dealer to order.

16.2.4 JWBS-14SF-3 (#714550) – Blade Guide Assembly – Exploded View



## 16.2.5 JWBS-14SF-3 (#714550) – Parts List

Index No	Part No	Description	Size	Qty
101	JWBS14SF-101	Upper Front Door		1
102	JWBS14SF-102	Sight Glass		2
103	TS-1541021	Nylon Insert Lock Hex Nut	M6	6
104	TS-1503021	Socket Head Cap Screw	M6x10	1
105	TS-1541001	Nylon Insert Lock Hex Nut	M4	1
106	TS-1550021	Flat Washer	4 mm	2
107	JWBS14SF-107	Guide Pointer		1
108	TS-1501031	Socket Head Cap Screw	M4x10	1
109	JWBS14SF-3-109	I.D. Label		1
110	JET-138	Jet Logo	138 x 57mm	1
111	JWBS14SF-111	Blade	3/4" x 125"	1
112	JWBS14SF-112	Retaining Ring	R20	1
113	BB-6204ZZ	Bearing	6204/P6-2RZ	2
114	JWBS14SF-114	Retaining Ring	R47	2
115	JWBS14SF-115	Upper Wheel		1
116	JWBS14SF-116	Tire		1
117	JWBS14SF-117	Upper Wheel Shaft		1
118	JWBS14SF-118	Slide Pad		1
119	TS-1523021	Socket Set Screw	M6x8	1
120	TS-1524041	Socket Set Screw	M8x16	1
121	JWBS14SF-121	Fixed Screw	M8x10	4
122	JWBS14SF-122	Dovetail Base		1
123	JWBS14SF-123	Bracket		1
124	TS-1550041	Flat Washer	6 mm	11
125	TS-1503041	Socket Head Cap Screw	M6x16	2
126	TS-1541041	Nylon Insert Lock Hex Nut	M10	2
127	JWBS14SF-127	Square Head Screw		2
128	TS-2311121	Hex Nut	M12	2
129	JWBS14SF-129	Rotating Shaft		1
130	JWBS14SF-130	Block		1
131	JWBS14SF-131	Washer		2
132	JWBS14SF-132	Spring		1
133	JWBS14SF-133	Tensioning Washer		1
134	JWBS14SF-134	Bearing	51201 (ø12-ø28-h11)	1
135	JWBS14SF-135	Blade Adjusting Screw		1
136	JWBS14SF-136	Blade Tension Indicator Label		1
137	TS-1503031	Socket Head Cap Screw	M6x12	1
138	JWBS14SF-138	Tension Pointer		1
139	JWBS14SF-139	Tension Indicator Plate		1
140	TS-1503041	Socket Head Cap Screw	M6x16	4
141	JWBS14SF-141	Handwheel		1
142	JWBS14SF-142	Limit Plate		1
143	JWBS14SF-3-143	Saw Body		1
144	JWBS14SF-144	Collar		1
145	JWBS14SF-145	Support Collar		1
146	TS-1504061	Socket Head Cap Screw	M8x30	3
147	JWBS14SF-147	Cam Shaft		1
148	TS-1524021	Socket Set Screw	M8x10	1
149	TS-2361121	Lock Washer	12 mm	2
150	TS-2360121	Flat Washer	12 mm	2
151	TS-2331121	Cap Nut	M12	2
152	JWBS14SF-152	Blade Quick Release Label		1
153	JWBS14SF-153	Adjusting Nut		1
154	JWBS14SF-154	Handle	M10X45	1
155	JWBS14SF-155	Tension Handle		1
156	JWBS14SF-156	Tension Handle Knob		1
157	JWBS14SF-157	Hex Head Shoulder Screw	M6x10	2
158	TS-1541011	Nylon Insert Lock Hex Nut	M5	2
159	TS-1550031	Flat Washer	5 mm	2

Index No	Part No	Description	Size	Qty
160	JWBS14SF-160	Door Lock Knob		2
201	JWBS14SF-201	Lower Front Door		1
202	TS-1541021	Nylon Insert Lock Hex Nut	M6	6
203	TS-1503021	Socket Head Cap Screw	M6x10	1
204	JWBS14SF-116	Tire		1
205	JWBS14SF-112	Retaining Ring	R20	1
206	BB-6204ZZ	Bearing	6204/P6-2RZ	2
207	JWBS14SF-114	Retaining Ring	R47	2
208	JWBS14SF-208	Lower Wheel		1
209	JWBS14SF-3-209	V-Belt	HM36.5x925La	1
210	JWBS14SF-210	Lower Wheel Shaft		1
211	STRIPE-1-3/4	Jet Stripe	1-3/4" W	sold per ft.
212	JWBS14SF-3-212	Motor Assembly (#212-1 thru 212-22)	3HP, 230V	1
212-1	JWBS14SF-3-212-1	Motor Body		1
212-2	JWBS14SF-3-212-2	Soft Mat		1
212-3	JWBS14SF-3-212-3	Insulating Trip		2
212-4	JWBS14SF-3-212-4	Running Capacitor	25µF, 370V	1
212-5	JWBS14SF-3-212-5	Running Capacitor Box		1
212-6	TS-2171012	Pan Head Machine Screw	M4x6	12
212-7	JWBS14SF-3-212-7	Centrifugal Switch		1
212-8	JWBS14SF-3-212-8	Motor Fan		1
212-9	JWBS14SF-3-212-9	Motor Fan Cover		1
212-10	JWBS14SF-3-212-10	Strain Relief Bushing		1
212-11	JWBS14SF-3-212-11	Junction Box		1
212-12	JWBS14SF-3-212-12	Grounding Symbol		1
212-13	JPS10TS-345	External Tooth Lock Washer	4mm	1
212-14	TS-1550021	Flat Washer	4mm	1
212-15	TS-2361041	Lock Washer	4mm	1
212-16	TS-2284082	Pan Head Machine Screw	M4x8	1
212-17	JWBS14SF-3-212-17	Junction Box Cover		1
212-18	JWBS14SF-3-212-18	Starting Capacitor Box		1
212-19	JWBS14SF-3-212-19	Starting Capacitor	200µF, 250VAC	1
212-20	JWBS14SF-3-212-20	Soft Mat		1
212-21	JWBS14SF-3-212-21	Key	4.6x35mm	1
212-22	TS-2284082	Pan Head Machine Screw	M4x8	1
213	JWBS14SF-3-213	Power Cord	6-15P	1
214	JWBS14SF-3-214	Plug Warning Label		1
215	JWBS14SF-3-215	Motor Cord		1
216	JWBS14SF-3-216	Motor Label		1
217	JWBS14SF-3-217	Motor Pulley		1
218	TS-1523021	Socket Set Screw	M6x8	1
219	JWBS14SF-219	Adjustable Handle		1
220	JWBS14SF-220	Washer		1
221	JWBS14SF-3-221	Handle		1
222	TS-1492021	Hex Cap Screw	M12x30	1
223	JWBS14SF-223	Nylon Washer		1
224	JWBS14SF-3-224	Motor Bracket		1
225	TS-0256051	Socket Head Button Screw	3/8"-16x1	4
226	TS-1532032	Pan Head Machine Screw	M4x10	1
227	TS-1550021	Flat Washer	4 mm	3
228	JWBS14SF-228	R-Type Cable Clamp		1
229	JWBS14SF-3-229	Electric Box (#229-1 thru 229-19)		1
229-1	JWBS14SF-3-229-1	Electric Hazard Label		1
229-2	JWBS14SF-3-229-2	Electric Box Cover		1
229-3	JWBS14SF-3-229-3	Contact	NC1-1810	1
229-4	TS-2284082	Pan Head Machine Screw	M4x8	3
229-5	JWBS14SF-3-229-5	Terminal Clamp	ABB	2
229-6	TS-2361041	Lock Washer	4mm	3
229-7	TS-1481011	Hex Cap Screw	M5x8	2
229-8	TS-1550031	Flat Washer	5mm	4
229-9	JWBS14SF-3-229-9	Support		1

Index No	Part No	Description	Size	Qty
229-10	TS-1541011	Nylon Insert Lock Hex Nut	M5	2
229-11	JWBS14SF-3-229-11	Electric Box Seat		1
229-12	JWBS14SF-3-229-12	Strain Relief Bushing		1
229-13	JWBS14SF-3-229-13	Hand Screw	M4x10	1
229-14	JWBS14SF-3-229-14	Strain Relief Bushing		2
229-15	JWBS14SF-3-229-15	Grounding Symbol		3
229-16	JPS10TS-345	External Tooth Lock Washer	4 mm	3
229-17	TS-1550021	Flat Washer	M4	3
229-18	TS-1533032	Pan Head Machine Screw	M5x10	3
229-19	JWBS14SF-3-229-19	Thermal Relay	NR2-25	1
230	TS-1534042	Pan Head Machine Screw	M6x12	4
231	JWBS14SF-3-231	Start Button	CP1-10G-10	1
232	JWBS14SF-3-232	Stop Button	CP1-10R-01	1
233	JWBS14SF-3-233	Panel		1
234	JWBS14SF-234	Grounding Symbol		2
235	TS-2284082	Pan Head Machine Screw	M4x8	1
236	JPS10TS-345	External Tooth Lock Washer	4 mm	1
237	TS-2361041	Lock Washer	4 mm	1
238	TS-1523021	Socket Set Screw	M6x8	2
239	TS-1550061	Flat Washer	8 mm	2
240	TS-1504031	Socket Head Cap Screw	M8x16	2
241	TS-1550041	Flat Washer	6 mm	4
242	JWBS14SF-242	Pan Head Tapping Screw	ST3×13	4
243	TS-1550011	Flat Washer	3 mm	4
244	JWBS14SF-244	Brush		2
245	JWBS14SF-245	Brush Plate		2
246	JWBS14SF-246	Kneading Screw	M8×20	1
247	TS-1550061	Flat Washer	8 mm	1
248	JWBS14SF-248	Lower Blade Guard		1
249	JWBS14SF-249	Retaining Ring	R6	1
250	TS-149105	Hex Cap Screw	M10x35	2
251	TS-1523041	Socket Set Screw	M6x12	2
252	JWBS14SF-252	Trunnion Support Bracket		1
253	TS-1482051	Hex Cap Screw	M6x25	1
254	TS-2311061	Hex Nut	M6	1
255	TS-1550061	Flat Washer	8 mm	2
256	JWBS14SF-256	Support Plate		1
257	TS-1541031	Nylon Insert Lock Hex Nut	M8	1
258	JWBS18-141	Warning Label		1
259	JWBS14SF-259	Washer		1
260	TS-2361081	Lock Washer	8 mm	1
261	TS-1504051	Socket Head Cap Screw	M8x25	1
262	JWBS14SF-262	Dust Guard		2
263	TS-2342121	Hex Nut	M12	4
264	JWBS14SF-268	Bolt With Leveling Pad	M12x70	4
265	JWBS14SF-265	Wood Insert		2
266	TS-2342121	Plug		4
267	TS-1533042	Pan Head Machine Screw	M5x12	4
268	TS-1550031	Flat Washer	M5	4
269	JWBS14SF-3-269	Control Line		1
3300	JWBS14SF-3300	Fence Assembly (#301 thru 320)		1
301	TS-1550071	Flat Washer	10 mm	6
302	TS-1540071	Hex Nut	M10	5
303	TS-1521011	Socket Set Screw	M4x5	7
304	JWBS14SF-304	Fence		1
305	JWBS14SF-305	Fence Body		1
306	JWBS14SF-306	Lock Bar		1
307	TS-1550071	Flat Washer	10 mm	1
308	JWBS14SF-308	Adjustable Handle	M10x40	1
309	TS-1532032	Pan Head Machine Screw	M4x10	5
310	JWBS14SF-310	Fence Collar LH		1

Index No	Part No	Description	Size	Qty
311	JWBS14SF-311	Fence Collar RH		1
312	JWBS14SF-312	Adjustable Handle	M10x15	1
313	JWBS14SF-313	Fine Adjust Collar		1
314	JWBS14SF-314	Fine Adjust Rod		1
315	JWBS14SF-315	Knurled Locking Knob		1
316	JWBS14SF-316	Fine Adjust Knob		1
317	TS-1521031	Socket Set Screw	M4x8	1
318	JWBS14SF-318	Fine Adjust Label		1
319	JWBS14SF-319	Guide Bar		1
320	JWBS14SF-320	Fence Bolt		2
321	JWBS14SF-321	Table Insert		1
322	JWBS14SF-322	Table		1
323	JWBS14SF-323	Handle	M10x25	1
324	JWBS14SF-324	Table Locking Block		1
325	JWBS14SF-325	Roll Pin		1
326	JWBS14SF-326	Trunnion		1
327	JWBS14SF-327	Locking Shaft		1
328	TS-1541031	Nylon Insert Lock Hex Nut	M8	2
329	JWBS14SF-329	Locating Shaft		2
330	TS-2342101	Nylon Insert Lock Hex Nut	M10	1
331	JWBS14SF-331	Tilt Degree Scale		1
332	TS-1550061	Flat Washer	8 mm	4
333	TS-1504051	Socket Head Cap Screw	M8x25	4
334	JWBS14SF-334	Pointer		1
335	JWBS14SF-335	Adjustable Handle	M12x20	1
336	TS-2360121	Flat Washer	12 mm	1
337	JWBS14SF-337	Gear		1
338	JWBS14SF-338	Spring Pin	4x22 mm	1
339	JWBS14SF-339	Table Shaft		1
340	JWBS14SF-340	Table Tilt Handle		1
341	JWBS14SF-341	Screw	M8x16	1
342	JWBS14SF-342	Handle		1
401	JWBS14SF-401	Front Bearing Fixed Knob		4
402	BB-608ZZ	Bearing	608ZZ	10
403	JWBS14SF-403	Bushing Washer		8
404	JWBS14SF-404	Eccentric Shaft		4
405	JWBS14SF-405	Upper Knob		2
406	JWBS14SF-406	Set Screw	M8x55	2
407	JWBS14SF-407	Knurled Locking Knob, Short		3
408	JWBS14SF-408	Knurled Locking Knob, Long		3
409	JWBS14SF-409	Screw	5x12	2
410	JWBS14SF-410	Lower Guide Bracket		1
411	JWBS14SF-411	Lower Guide Shaft		1
412	JWBS14SF-412	Rear Bearing Guide Shaft		2
413	JWBS14SF-413	Bearing Bracket		2
414	JWBS14SF-414	Retaining Ring	R22 mm	2
415	TS-1550041	Flat Washer	6 mm	12
416	TS-1534052	Pan Head Machine Screw	M6x16	2
417	TS-1523011	Socket Set Screw	M6x6	2
418	JWBS14SF-418	Retaining Ring	R15 mm	4
419	JWBS14SF-419	Adjustable Handle	M6x20	2
420	JWBS14SF-420	Upper Guide Bracket		1
421	TS-1534042	Pan Head Machine Screw	M6x12	8
422	JWBS14SF-422	Locking Shaft		1
423	JWBS14SF-423	Upper Guide Shaft		1
424	JWBS14SF-424	Guide Bracket		1
425	JWBS14SF-425	Knurled Locking Knob		1
426	TS-2286202	Pan Head Machine Screw	M6x20	2
427	JWBS14SF-427	Guide Bar Bracket		1
428	TS-1523041	Socket Set Screw	M6x12	4
429	JWBS14SF-429	Rack Lock Block		1



Index No	Part No	Description	Size	Qty
430	JWBS14SF-430	Gear		1
431	JWBS14SF-431	Shaft		1
432	JWBS14SF-432	Plate		1
433	JWBS14SF-121	Set Screw	M8x10	2
434	JWBS14SF-434	Rack		1
435	TS-1534041	Flat Head Machine Screw	M5x10	4
436	TS-1503031	Socket Head Cap Screw	M6x12	1
437	JWBS14SF-437	Guide Post		1
438	TS-1523051	Socket Set Screw	M6x16	4
439	JWBS14SF-439	Flat Head Machine Screw	M8x25	4
440	TS-1550061	Flat Washer	8 mm	4
441	JWBS14SF-441	Lock Knob	M10x20	1
442	JWBS14SF-442	Worm		1
443	JWBS14SF-443	Sleeve		1
444	JWBS14SF-444	Washer		1
445	JWBS14SF-445	Retaining Ring	R14mm	1
446	JWBS14SF-446	Handwheel Assembly (#446-1 thru 446-4)	14x125 mm	1
446-1	TS-1541031	Hex Nut	M8	1
446-2	JWBS14SF-446-2	Handwheel		1
446-3	JWBS14SF-446-3	Handle Body		1
446-4	JWBS14SF-446-4	Handle		1
447	TS-1524021	Socket Set Screw	M8x10	1
448	JWBS14SF-448	Blade Guard		1
449	JWBS14SF-449	Kneading Screw	M8x10	1
450	JWBS14SF-236	Retaining Ring	R6	1
451	JWBS14SF-451	Cutting Height Scale		1
452	TS-2361061	Lock Washer	M6	2
453	TS-1541021	Nylon Insert Hex Lock Nut	M6	1
454	JWBS14SF-254	Guide Post Cap		1

**Optional accessory:**

3500	708748	Miter Gauge Assembly		
------	--------	----------------------	--	--



427 New Sanford Road  
LaVergne, Tennessee 37086  
Phone: 800-274-6848  
[www.jettools.com](http://www.jettools.com)