



Operating Instructions and Parts Manual Step-Pulley Turret Mill

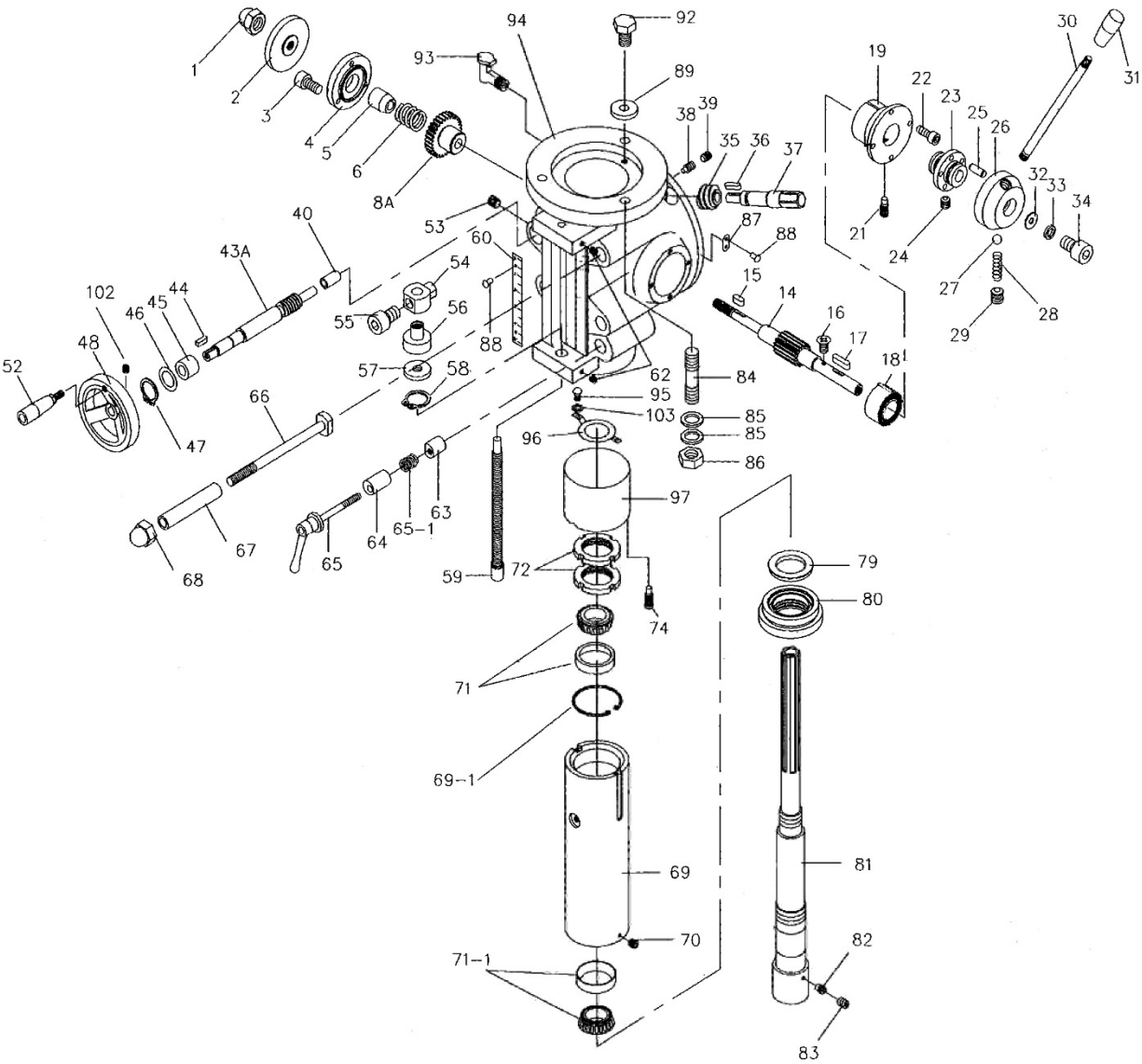
Model JVM-836



JET
427 New Sanford Road
LaVergne, Tennessee 37086
Ph.: 800-274-6848
www.jettools.com

Part No. M-690036
Revision C 11/2014
Copyright © 2014 JET

13.1.1 JVM-836 Head Assembly – Exploded View

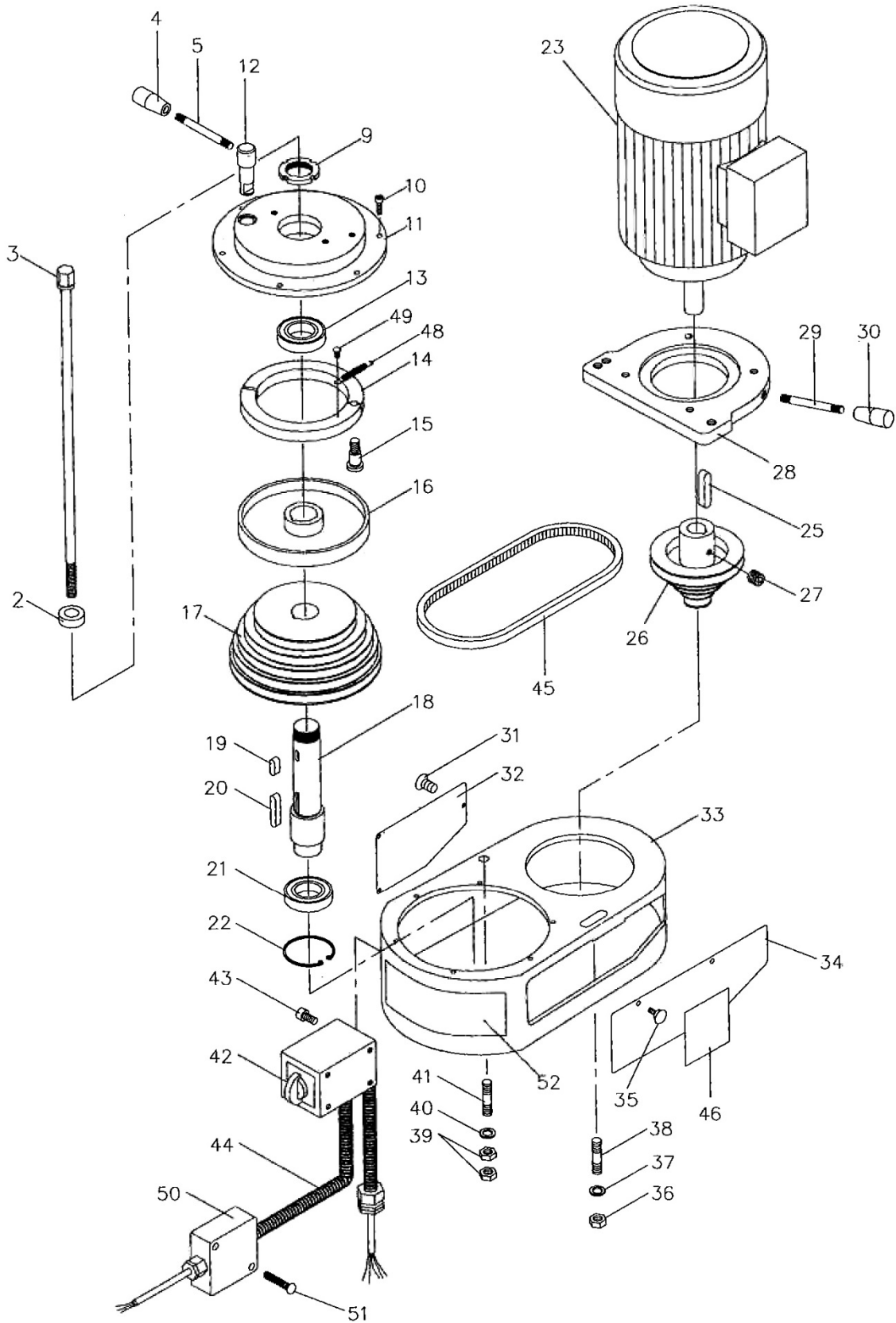


13.1.3 JVM-836 Head Assembly – Parts List

Index No	Part No	Description	Size	Qty
1	JVM836-01	Castle Nut	M12	1
2	JVM836-02	Lock Nut		1
3	TS-1523041	Hex Socket Cap Screw	M6x12	3
4	JVM836-04	Cover		1
5	JVM836-05	Taper Sleeve		1
6	JVM836-06	Spring		1
7	JVM836-07	Transmission Sleeve (s/n 307XXXX and lower)		1
8	JVM836-08	Worm Gear (s/n XXX0049 and lower)		1
	JVM836-08T	Worm Gear (s/n 0040050 and higher)		1
8A	JVM836-08TN	Worm Gear (s/n 307XXXX and higher)		1
9	JVM836-09	Spring Washer (s/n 307XXXX and lower)	M4	3
10	JVM836-10	Cross Round Head Screw (s/n 307XXXX and lower)	M4x16	3
14	JVM836-14	Shaft (s/n XXX0049 and lower)		1
	JVM836-14T	Shaft (s/n 0040050 and higher)		1
15	JVM836-15	Key (s/n XXX0049 and lower)	5x5x20 mm	1
	JVM836-15T	Key (s/n 0040050 and higher)	5x5x12 mm	1
16	JVM836-16	Cross Flat Head Screw	M5x6	1
17	JVM836-17	Whitney Key		1
18	JVM836-18	Volume Spring (s/n XXX0049 and lower)		1
	JVM836-18T	Volume Spring (s/n 0040050 and higher)		1
19	JVM836-19	Spring Bracket		1
21	JVM836-21	Full Dog Point Set Screw	M8x35	1
22	TS-1514021	Hex Socket Cap Screw	M6x15	4
23	JVM836-23	Transmission Sleeve		1
24	TS-1523031	Set Screw	M6x6	1
25	JVM836-25	Round Pin		1
26	JVM836-26	Handle Base (s/n XXXX0049 and lower)		1
	JVM836-26T	Handle Base (s/n 0040050 and higher)		1
	JVM836-26TA	Handle Assembly (includes # 26,30,31)		1
27	SB-6MM	Steel Ball	Ø6	1
28	JVM836-28	Spring		1
29	TS-1524011	Set Screw	M8x8	1
30	JVM836-30	Rocket Rod (s/n XXX0049 and lower)		1
	JVM836-30T	Rocket Rod (s/n 0040050 and higher)		1
31	JVM836-31	Knob (s/n XXX0049 and lower)		1
	JVM836-31T	Knob (s/n 0040050 and higher)		1
32	JVM836-32	Flat Washer	M8	1
33	JVM836-33	Spring Washer	M8	1
34	JVM836-34	Hex Socket Cap Screw	M8x16	1
35	JVM836-35	Worm (s/n XXX0049 and lower)		1
	JVM836-35T	Worm (s/n 0040050 and higher)		1
36	JVM836-36	Whitney Key	4x4x16 mm	1
37	JVM836-37	Worm Shaft		1
38	JVM836-38	Full Dog Point Set Screw	M5x6	1
39	TS-1522011	Set Screw	M5x6	1
40	JVM836-40	Bushing (s/n XXX0049 and lower)		1
	JVM836-40T	Bushing (s/n 0040050 and higher)		1
41	JVM836-41	Spring Pin (s/n 307XXXX and lower)	Ø3x14 mm	1
42	JVM836-42	Worm (s/n XXX0049 and lower)		1
	JVM836-42T	Worm (s/n 307XXXX and lower)		1
43	JVM836-43	Shaft (s/n XXX0049 and lower)		1
	JVM836-43T	Shaft (s/n 0040050 and higher)		1
	JVM836-43TN	Shaft (s/n 307XXXX and higher)		1
44	JVM836-44	Flat Key	4x4x12 mm	1
45	JVM836-45	Bushing (s/n XXX0049 and lower)		1
	JVM836-45T	Bushing (s/n 0040050 and higher)		1
46	JVM836-46	Spacer		1
47	JVM836-47	C-Retaining Ring		1
48	JVM836-48	Wheel		1

Index No	Part No	Description	Size	Qty
52	JVM836-52	Hand Grip		1
53	TS-1523041	Set Screw	M6x10	1
54	JVM836-54	Locating Block		1
55	JVM836-55	Hex Socket Cap Screw	3/8-24UNF	1
56	JVM836-56	Graduated Ring		1
57	JVM836-57	Graduated Tight Nut		1
58	JVM836-58	C-Retaining Ring		1
59	JVM836-59	Screw		1
60	JVM836-60	Graduated Scale		1
62	TS-1523041	Set Screw	M6x12	2
63	JVM836-63	Tight Collar		1
64	JVM836-64	Tight Collar		1
65	JVM836-65	Flexible Handle		1
66	JVM836-66	T-Head Bolt		4
67	JVM836-67	Sleeve Pipe		4
68	JVM836-68	Castle Nut		4
69	JVM836-69	Rack Sleeve (s/n xxx0049 and lower)		1
	JVM836-69T	Rack Sleeve (s/n 0040050 to 0050103)		1
	JVM836-69TN	Rack Sleeve (s/n: 0050104 and higher)		1
69-1	JVM836-69T-1	C-Clip	R62	1
70	JVM836-70	Cone point Set Screw	M5x5	1
71	JVM836-71	Taper Roller Bearing	30206	1
71-1	JVM836-71-1	Taper Roller Bearing	32008	1
72	JVM836-72	Nut (s/n xxx0049 and lower)		1
	JVM836-72T	Nut (s/n 0040050 and higher)		2
	JVM836-72TA	Nut Assembly (includes # 72,83,98)		1
79	JVM836-79	Protection Ring		1
80	JVM836-80	Protection Cover (s/n xxx0049 and lower)		1
	JVM836-80T	Protection Cover (s/n 0040050 and higher)		1
81	JVM836-81	Spindle Shaft		1
82	JVM836-82	Full Dog Point Set Screw	M6x6	1
83	TS-1522011	Set Screw	M5x6	1
84	JVM836-84	Stud	M12x50	3
85	JVM836-85	Spring Washer	M12	3
86	TS-1540081	Hex Nut	M12	3
87	JVM836-87	Limit Plate		1
88	JVM836-88	Rivet	Ø2	5
89	JVM836-89	Stop Block (s/n xxx0049 and lower)		1
	JVM836-89T	Stop Block (s/n 0040050 and higher)		1
90	TS-1523041	Set Screw	M6x12	1
91	TS-1540041	Hex. Nut	M6	1
92	TS-41490011	Hex. Screw	M8x12	1
93	JVM836-93	Oil Cup	1/16"PS	1
94	JVM836-94	Head Body (s/n xxx0049 and lower)		1
	JVM836-94T	Head Body (s/n 0040050 and higher)		1
95	JVM836-95	Cross Round Cap Screw	M5x6	2
96	JVM836-96	Plate		1
97	JVM836-97	Cover		1
102	JVM836-102	Set Screw	M5x6	1

13.2.1 JVM-836 Upper Head Assembly – Exploded View

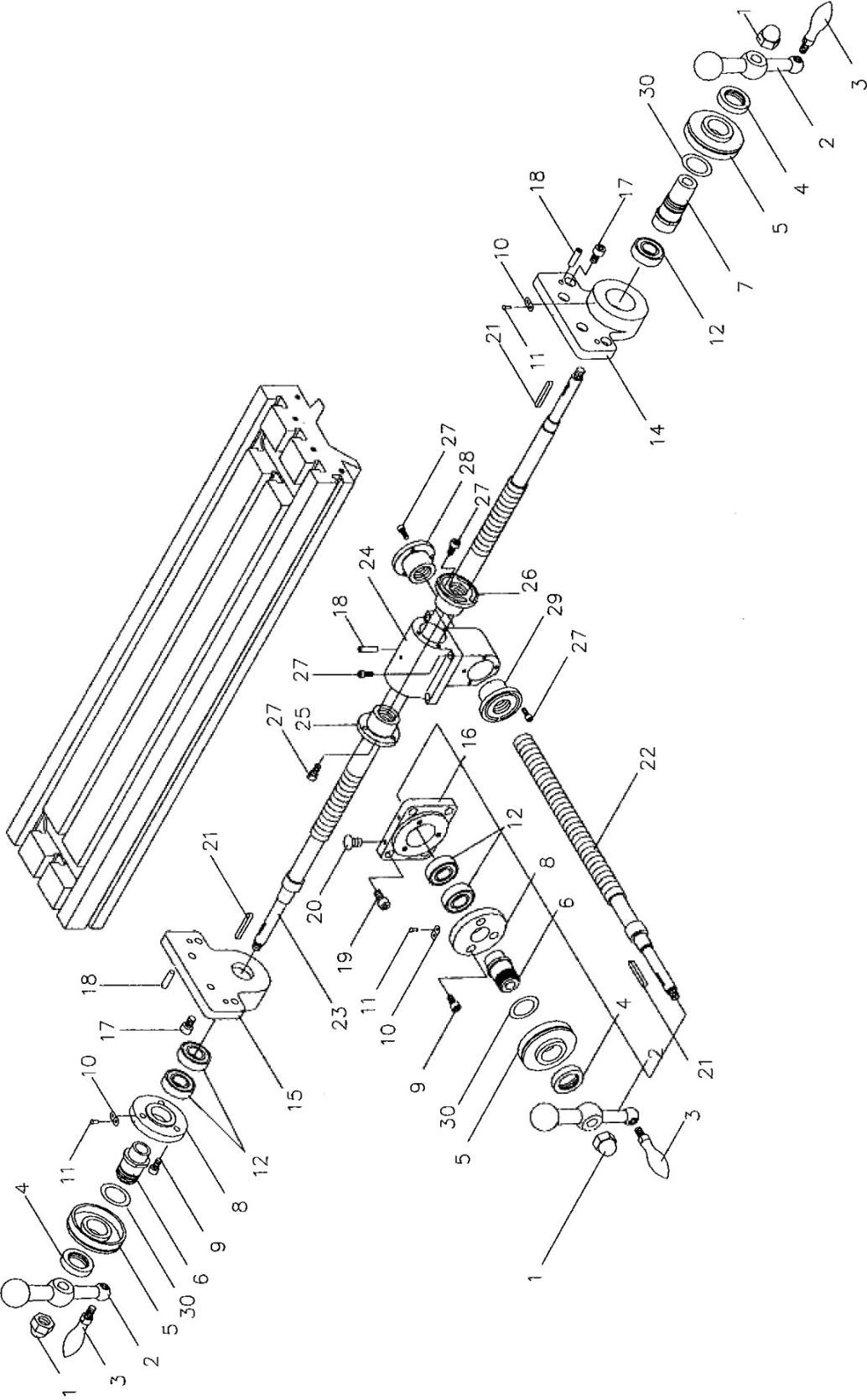


13.2.2 JVM-836 Upper Head Assembly – Parts List

Index No	Part No	Description	Size	Qty
2	VM-G22-1	Spacer		1
3	VM-G22	Draw Bar		1
4	VM-M3-1	Knob (s/n XXX0049 and lower)		1
	VM-M3-1T	Knob (s/n 0040050 and higher)		1
5	VM-M3-3	Brake Handle (s/n XXX0049 and lower)		1
	VM-M3-3T	Brake Handle (s/n 0040050 and higher)		1
9	VM-M11-1	Nut		1
10	TS-1514021	Hex Head Socket Screw	M6x16	6
11	VM-M4	Fixed Cover (s/n XXX0049 and lower)		1
	VM-M4T	Fixed Cover (s/n 0040050 and higher)		1
12	VM-M3-5	Brake Rod (s/n XXX0049 and lower)		1
	VM-M3-5T	Brake Rod (s/n 0040050 and higher)		1
13	BB-6007ZZ	Ball Bearing	6007zz	1
14	VM-M2	Brake (s/n XXX0049 and lower)		1
	VM-M2T	Brake (s/n 0040050 and higher)		1
	VM-M2TA	Brake Assembly (includes #14,15,48,49)		1
15	VM-M1	Screw (s/n XXX0049 and lower)		1
	VM-M1T	Screw (s/n 0040050 and higher)		1
16	VM-M6	Brake Disc		1
17	VM-M8	Pulley		1
18	VM-M11	Splined Shaft		1
19	VM-M7	Whitney Key	6x6x16 mm	1
20	VM-M9	Whitney Key	6X6X32 mm	1
21	BB-6007ZZ	Ball Bearing	6007zz	1
22	VM-M5	C-Retaining Ring	Ø62 mm	1
23	VM-M25C	Motor (s/n XXX0049 and lower)	(1-1/2HP 1 Ph)	1
	VM-M25C-3Ph	Motor (s/n XXX0049 and lower)	(1-1/2HP 3 Ph)	1
	VM-M25	Motor (s/n 0040050 to 2110610)	(1-1/2HP 1 Ph)	1
	VM-M25-3Ph	Motor (s/n 0040050 to 2110610)	(1-1/2HP 3 Ph)	1
	VM-M25N	Motor (s/n 2120611 and higher)	(1-1/2HP 1 Ph)	1
	VM-M25N-3Ph	Motor (s/n 2120611 and higher)	(1-1/2HP 3 Ph)	1
	VM-M25CS	Centrifugal Switch (not shown)		1
	VM-M25RC	Running Capacitor (not shown)	25µF 350VAC	1
	VM-M25SC	Starting Capacitor (not shown)	350MFD 350VAC	1
24	VM-M21	Hex Head Screw	M10x25	4
25	VM-M25-1	Flat Key	8x7x36 mm	1
26	VM-M19	Pulley (s/n 2110610 and lower)		1
	VM-M19N	Pulley (s/n 2120611 and higher)		1
27	TS-1524011	Set Screw	M8x8	1
28	VM-M20	Motor Cover (s/n XXX0049 and lower)		1
	VM-M20T	Motor Cover (s/n 0040050 to 2110610)		1
	VM-M20TN	Motor Cover (s/n 2120611 and higher)		1
29	VM-M3	Rod (s/n XXX0049 and lower)		1
	VM-M3T	Rod (s/n 0040050 and higher)		1
30	VM-M3-1	Knob (s/n XXX0049 and lower)		1
	VM-M3-1T	Knob (s/n 0040050 and higher)		1
31	JVM836-31B	Cross Flat Head Screw	M6x6	3
32	VM-M12-2	Cover		1
33	VM-M12	Pulley Housing		1
34	VM-M12-1	Cover		1
35	VM-DM85	Plum Knob (s/n 0040049 and lower)		2
	JVM836-31B	Cross Flat Screw (s/n 0040050 and higher)	M6x6	2
36	TS-1540081	Hex Nut	M12	1
37	TS-1550081	Flat Washer	M12	1
38	VM-M23-1	Stud	M12x50	1
39	TS-1540081	Hex Nut	M12	2
40	TS-1550081	Flat Washer	M12	1
41	VM-M23-1	Stud	M12x50	1
42	JVM836-42B	Switch Assembly (1Ph)		1
	JVM836-42-3Ph	Switch Assembly (3Ph)		1

Index No	Part No	Description	Size	Qty
43	JVM836-43B	Hex Socket Cap Screw	M6x8	4
44	JVM836-44B	Switch Cord (4C, 1Ph)		1
	JVM836-44-3Ph	Switch Cord (7C, 3Ph)		1
45	VB-A29	Belt	A29	1
46	VM-M26-1PH	Spindle Speed Chart (1 Phase)		1
	VM-M26-3PH	Spindle Speed Chart (3 Phase)		1
48	VM-M2-1	Spring		2
49	VM-M2-2	Cross Round Cap Screw		2
50	JVM836-U50	Plastic Electrical Box		1
51	JVM836-U51	Cross Round Cap Screw	M5x40L	2
52	JVM836-N01	JET Label		1

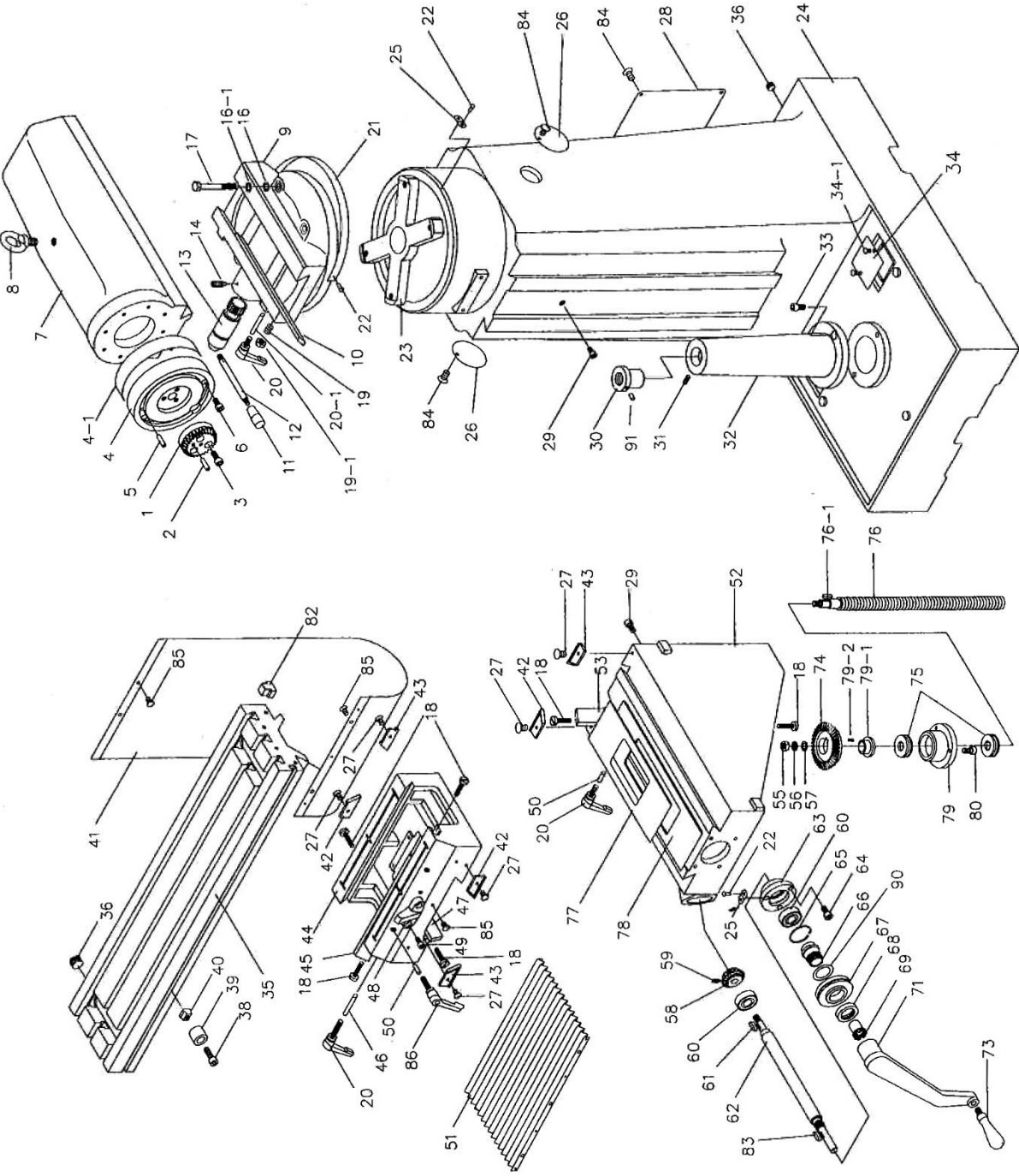
13.3.1 JVM-836 Leadscrew Assembly – Exploded View



13.3.2 JVM-836 Leadscrew Assembly – Parts List

Index No	Part No	Description	Size	Qty
1	VM-I1	Castle Nut	M12	3
2	VM-I2	Handle		3
3	VM-I2-1	Ball Handle		3
4	VM-I3	Knurled Nut (s/n XXX0049 and lower)		3
	VM-I3T	Knurled Nut (s/n 0040050 and higher)		3
5	VM-I5	Dial (s/n XXX0049 and lower)		3
	VM-I5T	Dial (s/n 0040050 and higher)		3
6	VM-I24	Dial Holder (s/n XXX0049 and lower)		2
	VM-I24T	Dial Holder (s/n 0040050 and higher)		2
	VM-I24TA	Dial Holder Assembly (includes #4,5,6,30)		1
7	VM-I6	Dial Holder (s/n XXX0049 and lower)		1
	VM-I6T	Dial Holder (s/n 0040050 and higher)		1
	VM-I6TA	Dial Holder Assembly (includes #4,5,7,30)		1
8	VM-I8	Bearing Retaining Cover		2
9	TS-1515011	Hex Socket Screw	M8x16	6
10	VM-M26	Limit Plate		3
11	VM-M26-1	Rivet	Ø12 mm	6
12	BB-6204	Ball Bearing	6204	5
14	VM-I14	Bearing Bracket		1
15	VM-I18	Bearing Bracket		1
16	VM-J11	Bearing Block		1
17	VM-I13	Hex Socket Screw	M10x16	8
18	VM-I12	Taper Pin	Ø8x130 mm	6
19	TS-1515021	Hex Socket Screw	M8x20	4
20	JVM836-20B	Flat Screw	M6x6	2
21	VM-I4	Whitney Key	3x3x28 mm	3
22	VM-J16	Lead Screw (s/n 2010471 and lower)		1
	VM-J16T	Lead Screw (s/n 2020472 and higher)		1
23	VM-I15	Lead Screw (s/n 2010471 and lower)		1
	VM-I15T	Lead Screw (s/n 2020472 and higher)		1
24	VM-J28	Feed Nut Bracket		1
25	VM-J26-1	Feed Screw Nut (s/n 2010471 and lower)		1
	VM-J26-1T	Feed Screw Nut (s/n 2020472 and higher)		1
26	VM-J26	Feed Screw Nut (s/n 2010471 and lower)		1
	VM-J26T	Feed Screw Nut (s/n 2020472 and higher)		1
27	TS-1514021	Hex Socket Screw	M6x16	14
28	VM-J25-1	Feed Screw Nut (s/n 2010471 and lower)		1
	VM-J25-1T	Feed Screw Nut (s/n 2020472 and higher)		1
29	VM-J25	Feed Screw Nut (s/n 2010471 and lower)		1
	VM-J25T	Feed Screw Nut (s/n 2020472 and higher)		1
30	JVM836-T30	Spacer		3
	JVM836-I2A	Washer with Keyway (not shown)		3

13.4.1 JVM-836 Base Assembly – Exploded View



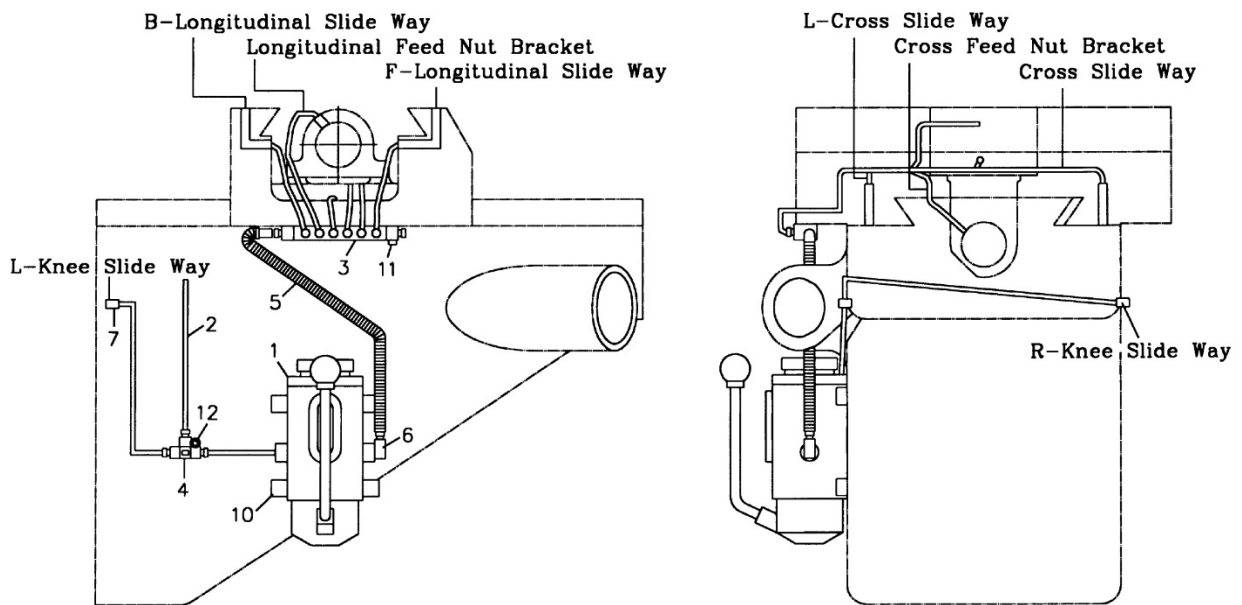
13.4.2 JVM-836 Base Assembly – Parts List

Note: Some index numbers in this parts list have two part numbers. If your milling machine has the serial number 0040050 and higher, use the part number ending with a “T.” If your milling machine has the serial number xxx0049 and lower, use the part number without the letter “T.”

Index No	Part No	Description	Size	Qty
1	VM-L11	Worm Gear (s/n XXX0049 and lower)		1
	VM-L11T	Worm Gear (s/n 0040050 and higher)		1
2	VM-L13	Taper Pin	Ø8x150	1
3	TS-1505031	Hex Socket Screw	M10x25	3
4	VM-L10	Graduated Dial		1
4-1	VM-L10-1	Graduated Dial Plate		1
5	VM-L9	Taper Pin	Ø8x130	2
6	TS-1515011	Hex Socket Screw	M8x16	8
7	VM-L15	Ram		1
8	JVM836-08B	Eye Bolt	M16	1
9	VM-L6	Turret		1
10	VM-L5	Turret Gib		1
11	VM-L1-1	Knob (s/n XXX0049 and lower)		1
	VM-L1-1T	Knob (s/n 0040050 and higher)		1
12	VM-L1	Handle (s/n XXX0049 and lower)		1
	VM-L1T	Handle (s/n 0040050 and higher)		1
13	VM-L3	Pinion Shaft (s/n XXX0049 and lower)		1
	VM-L3T	Pinion Shaft (s/n 0040050 and higher)		1
	VM-L3TA	Pinion Shaft Assembly (includes #11,12,13)		1
14	VM-L2	Full Dog Point Set Screw	M6x12	1
16	TS-1550081	Flat Washer	M12	4
17	VM-K12	Stud (serial # 0040063 & lower)	M12x105	4
17	VM-K12N	Stud (serial # 0040064 & higher)	M12x115	4
18	JVM836-18B	Adjustable Screw		6
19	TS-1523021	Set Screw	M6x10	2
19-1	TS-1540041	Hex Nut	M6	2
20	VM-L4	Lock Handle	M10x40	5
20-1	VM-L4-1	Shoe		2
21	VM-L7	Graduated Scale		1
22	VM-L7-1	Rivet	Ø2 mm	7
23	VM-K11	Spider Arm		1
24	VM-K9	Base		1
25	VM-K17	Limit plate		2
26	VM-K5	Plate		1
27	JVM836-27B	Cross Flat Screw	M6x6	22
	JVM836-27BT	Cross Round Cap Screw	M5x12	6
28	VM-K13	Plate		2
29	JVM836-29	Hex Socket Screw	M8x12	2
30	VM-H29	Elevating Nut		1
31	TS-1523051	Set Screw	M6x15	1
32	VM-H30	Elevation Screw Stand		1
33	VM-H30-1	Hex Socket Screw	M10x30	2
34	VM-K2	Strainer Net		2
34-1	VM-H34-1	Screw	M5x12	4
35	VM-I37	Table		1
36	VM-I40	Oil Plug	3/8"PT	2
38	VM-I33-2	Hex Socket Screw	M8x20	2
39	VM-I33	Stop Ring		2
40	VM-I33-1	T-Nut		2
41	VM-C-100	Rear Way Cover (Plastic)		1
42	VM-H32	Wiper		3
43	VM-H32-1	Wiper		3
44	VM-J36	Saddle		1
45	VM-I32	Table Gib		1
46	VM-J39-1	Shoe		2

Index No	Part No	Description	Size	Qty
47	VM-J20	Saddle Gib		1
48	VM-J30	Table Stop Bracket		1
49	TS-1515021	Hex Socket Cap Screw	M8x20	2
50	VM-J29-1	Shoe		2
51	VM-C-101	Accordion Way Cover (Plastic)		1
52	VM-H35	Knee		1
53	VM-H34	Knee Gib		1
55	TS-1540081	Hex Nut	M12	2
56	VM-H19	Spring Washer	M12	2
57	TS-1550081	Flat Washer	M12	2
58	VM-H17	Straight Bevel Gear (s/n XXX0049 and lower)		1
	VM-H17T	Helical Bevel Gear (s/n 0040050 and higher)		1
59	TS-1523031	Set Screw	M6x6	1
60	BB-6204	Ball Bearing	6204	2
61	VM-H6	Whitney Key	5x5x16 mm	3
62	VM-H12	Shaft		1
	VM-H12T	Shaft		1
63	VM-H11	Bearing Block		1
64	TS-1514021	Hex Socket Screw	M6x16	3
65	VM-H7	C-Retaining Ring	Ø47 mm	1
66	VM-H5	Dial Holder		1
	VM-H5T	Dial Holder		1
	VM-H5TA	Dial Holder Assembly (includes #66,67,68,69,71,90)		1
67	VM-H3	Dial		1
	VM-H3T	Dial		1
68	VM-H2	Knurled Nut		1
	VM-H2T	Knurled Nut		1
69	VM-H4	Clutch Insert		1
	VM-H4T	Clutch Insert		1
71	VM-H1	Hand Lever		1
	VM-H1T	Hand Lever		1
73	VM-H1-3	Hand Grip		1
74	VM-H24	Straight Bevel Gear (s/n XXX0049 and lower)		1
	VM-H24T	Helical Bevel Gear (s/n 0040050 and higher)		1
75	BB-6204	Ball Bearing (s/n 0070226 and lower)	6204	2
	BB-51104	Thrust Bearing (s/n 0080227 and higher)	51104	2
76	VM-H27	Elevating Screw		1
76-1	VM-H27-1	Bushing (s/n 0080227 and higher)		1
77	VM-J37-1	Upper Chip Guard		1
78	VM-J37	Lower Chip Guard		1
79	VM-H25	Bearing Housing (s/n 0070226 and lower)		1
	VM-H25T	Bearing Housing (s/n 0080227 and higher)		1
79-1	VM-H25-1	Adaptor (s/n 0040050 and higher)		1
79-2	JVM836-B79-2	Key (s/n 0040050 and higher)	5x5x10 mm	1
80	TS-1514031	Hex Socket Cap Screw	M6x20	3
81	JVM836-B81	C-Clip	S47	1
82	VM-I39	Rubber T-Nut		6
83	JVM836-B83	Key	3x3x28 mm	1
84	JVM836-B84	Cross Round Cap Screw	M6x10	6
85	JVM836-B85	Cross Round Cap Screw	M6x12	7
86	JVM836-B86	Lock Handle	M10x20	2
89	JVM836-B89	Spacer (s/n 0070226 and lower)		1
90	JVM836-B90	Spacer		1
91	JVM836-B91	Oil Block	1/4"	1

13.5.1 JVM-836 One Shot Lubrication System – Exploded View



13.5.2 One Shot Lubrication System – Parts List

Index No	Part No	Description	Size	Qty
1	JVM836-HP	Hand Oiling Pump		1
2	JVM836-ALMP	Aluminum Pipe	Ø4	1
3	JVM836-DB	Oil Regulating Distributor		1
4	JVM836-TJ	T-Joint	Ø4	1
5	JVM836-FST	Flexible Steel Tube		1
6	JVM836-CJ	Check Joint	Ø4-1/8PT	2
7	JVM836-EJ	Elbow Joint	Ø4-1/8PT	2
10	TS-1514021	Hex Socket Cap Screw	M6x16	4
11	TS-1503061	Hex Socket Cap Screw	M6x25	2
12	TS-1502061	Hex Socket Cap Screw	M5x25	1



427 New Sanford Road
LaVergne, Tennessee 37086
Phone: 800-274-6848
www.jettools.com