



Operating Instructions and Parts Manual Step Pulley Turret Mill

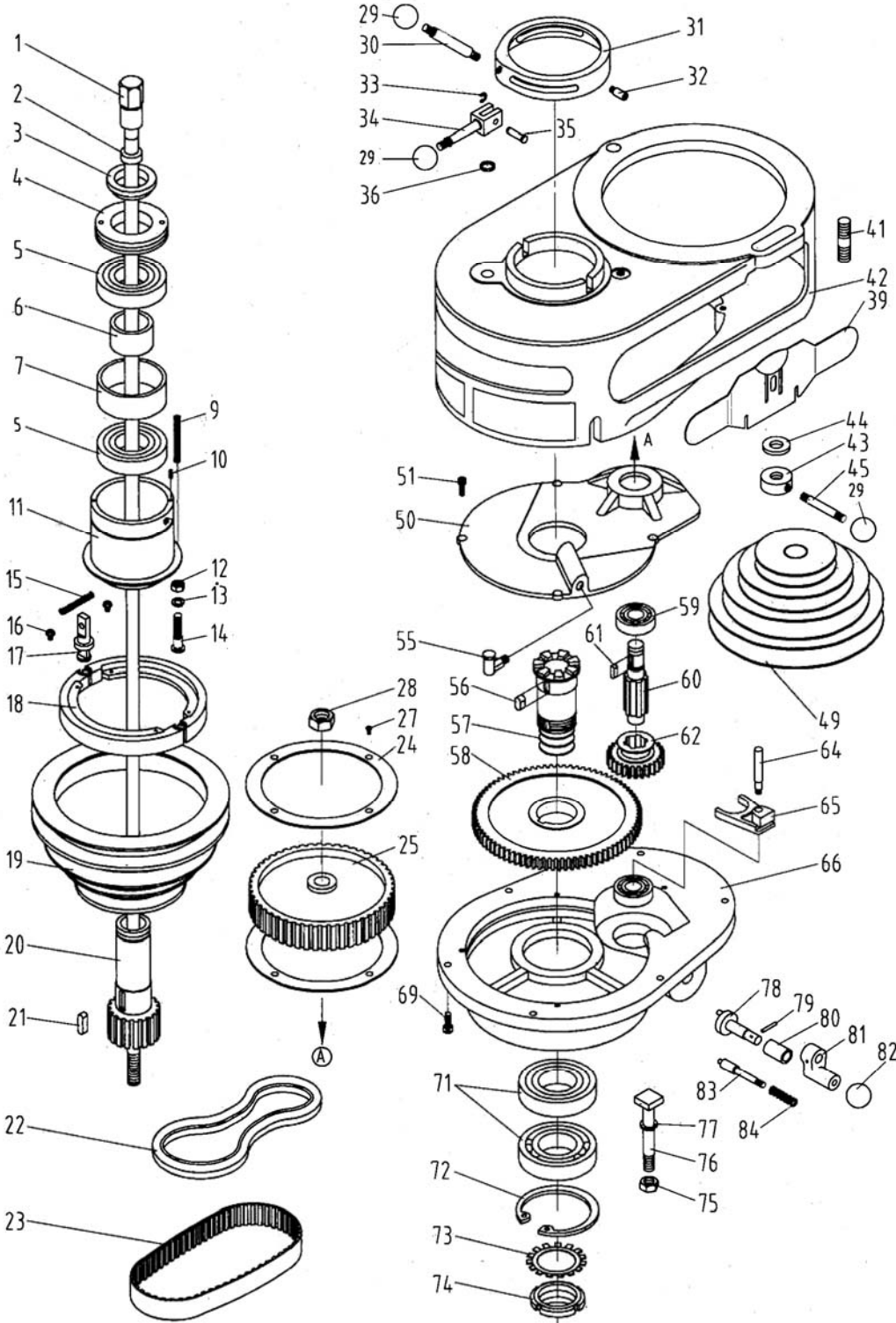
Model JTM-1, JTM-2



JET
427 New Sanford Road
LaVergne, Tennessee 37086
Ph.: 800-274-6848
www.jettools.com

Part No. M-690082
Revision G2 12/2014
Copyright © 2014 JET

15.1.1 Upper Head Assembly – Exploded View

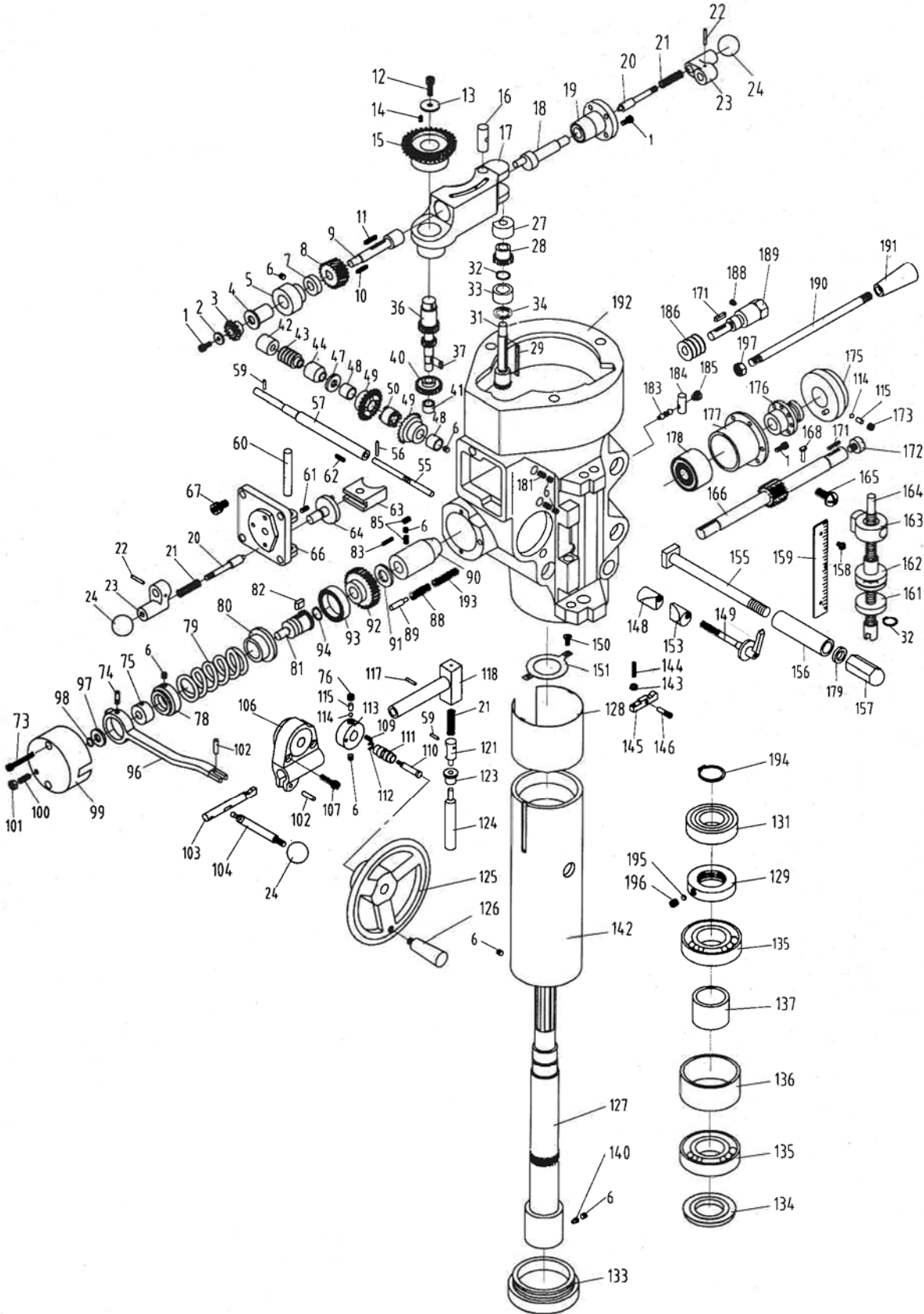


15.1.2 Upper Head Assembly – Parts List

| Index No | Part No | Description | Size | Qty |
|----------|--------------|-------------------------------|------------|-----|
| 1 | LA-072 | Draw Bar | R8 | 1 |
| 2 | JTM4VS-A002B | Draw Bar Washer | | 1 |
| 3 | LA-071 | Upper Bearing Lock Nut | | 1 |
| 4 | LA-070 | Bearing Sleeve Lock Nut | | 1 |
| 5 | BB-6207ZZ | Ball Bearing | 6207-ZZ | 2 |
| 6 | LA-068 | Upper Bearing Spacer (small) | | 1 |
| 7 | LA-069 | Upper Bearing Spacer (large) | | 1 |
| 9 | LA-169 | Compression Spring | | 4 |
| 10 | TS-1520041 | Set Screw | M3x10 | 4 |
| 11 | LA-066 | Spindle Pulley Bearing Sleeve | | 1 |
| 12 | TS-0571021 | Hex Jam Nut | 5/16" | 1 |
| 13 | TS-0720081 | Lock Washer | 5/16" | 1 |
| 14 | LA-034 | Brake Ring Screw | | 1 |
| 15 | LA-036 | Spring | | 2 |
| 16 | BUTW31612 | Screw | 3/16"x1/2" | 4 |
| 17 | LA-037 | Brake Lock Stud | | 1 |
| 18 | LA-035 | Brake Assembly | | 1 |
| 19 | LA-065 | Spindle Pulley (four-step) | | 1 |
| 20 | LA-064 | Spindle Pulley Hub | | 1 |
| 21 | JTM1-021 | Key | 6x6x25mm | 1 |
| 22 | VB-A33 | V-belt | A33 | 1 |
| 23 | VB225L100 | Timing Belt | 225L | 1 |
| 24 | LA-027 | Timing Belt Flange | | 2 |
| 25 | LA-028 | Timing Belt Pulley | | 1 |
| 27 | JTM1-C27 | Flat Head Screw | | 8 |
| 28 | TS-0571072 | Hex Jam Nut | 5/8"-18NF | 1 |
| 29 | LA-006 | Plastic Ball | | 3 |
| 30 | LA-074 | Spindle Clutch Lever | | 1 |
| 31 | LA-073 | Cam Ring | | 1 |
| 32 | JTM1-032 | Cam Ring Pin | | 2 |
| 33 | JTM1-C33 | E-Ring | | 1 |
| 34 | LA-039 | Brake Lock Handle | | 1 |
| 35 | LA-038 | Brake Lock Pin | | 1 |
| 36 | TS-0680061 | Washer | 1/2" | 1 |
| 37 | JTM1-037 | Spindle Speed Plate (JTM-1) | | 1 |
| | JTM1-037A | Spindle Speed Plate (JTM-2) | | 1 |
| 39 | JTM1-039A | Belt Guard | | 2 |
| 41 | LA-012 | Motor Mount Studs | | 2 |
| 42 | LA-015 | Belt Housing | | 1 |
| 43 | LA-007 | Motor Lock Nut | | 2 |
| 44 | LA-008 | Washer | | 1 |
| 45 | LA-009 | Motor Lock Nut Handle | | 4 |
| 49 | LA-011 | Motor Pulley (four-step) | | 1 |
| 50 | LA-013 | Gear Housing Cover | | 1 |
| 51 | JTM1-C51 | Hex Socket Cap Screw | M5x14 | 4 |
| 55 | JTM1-055 | Oil Cup | | 1 |
| 56 | JTM1-C56 | Key | | 1 |
| 57 | LA-062 | Spindle Gear Hub | | 1 |
| 58 | LA-061 | Spindle Bull Gear Assembly | | 1 |
| 59 | BB-6203ZZ | Ball Bearing | | 1 |
| 60 | LA-026 | Shaft | | 1 |
| 61 | JTM1-061 | Key | 5x5x15mm | 1 |
| 62 | LA-025 | Gear | | 1 |
| 63 | BB-6203ZZ | Ball Bearing | | 1 |
| 64 | LA-032 | Dowel Pin | | 1 |
| 65 | LA-031 | Back Gear Shifter Fork | | 1 |
| 66 | LA-014 | Gear Housing | | 1 |
| 69 | TS-1503041 | Hex Socket Cap Screw | M6x16 | 6 |
| 71 | BB-6208ZZ | Ball Bearing | | 2 |
| 72 | JTM1-C72 | Snap Ring | | 1 |

| Index No | Part No | Description | Size | Qty |
|----------|-------------|---|------------------|-----|
| 73 | JTM1-C73 | Lock Washer | | 1 |
| 74 | LA-059 | Bearing Lock Nut | | 1 |
| 75 | JTM1-C75 | Hardened Nut | 7/16" | 1 |
| 76 | LA-045 | T-Bolt | | 3 |
| 77 | JTM1-C77 | Bolt Washer | | 3 |
| 78 | LA-001 | Shift Crank | | 1 |
| 79 | JTM-C79 | Spring Pin | | 1 |
| 80 | LA-044 | Back Gear Shift Bushing | | 1 |
| 81 | LA-003 | Shaft Crank Handle | | 1 |
| 82 | LA-006 | Plastic Ball | | 1 |
| 83 | LA-004 | Gearshift Plunger | | 1 |
| 84 | LA-005 | Compression Spring | | 1 |
| | JTM1-M2 | Motor (not shown) | 2HP 3PH 220V | 1 |
| | JTM1-598 | Fwd/Rev Switch (not shown) | for 3PH, 2/4P | 1 |
| | JTM1-598A | Switch Speed Plate (not shown) | | 1 |
| | JTM1-598B | Switch Knob (not shown) | | 1 |
| | JTM1-598C | Switch Bracket (not shown) | | 1 |
| | JTM1-598D | Metal Switch Box (not shown) | | 1 |
| | JTM2-M1 | Motor (not shown) | 2HP 1PH 115/230V | 1 |
| | JTM2-SC | Start Capacitor | 500MFD, 125AC | 1 |
| | JTM2-598CP | Switch Assembly CP (not shown) | | 1 |
| | JTM2-599 | Fwd/Rev Switch (not shown) | for 1PH | 1 |
| | JTM2-599A | Switch Plate (not shown) | | 1 |
| | JTM2-599B | Switch Plate Mounting Screw (not shown) | | 1 |
| | JTM2-599C | Motor – Switch Wiring Harness (not shown) | | 1 |
| | BD1325R-X02 | Centrifugal Switch (not shown) | | 1 |

15.2.1 Head Assembly – Exploded View



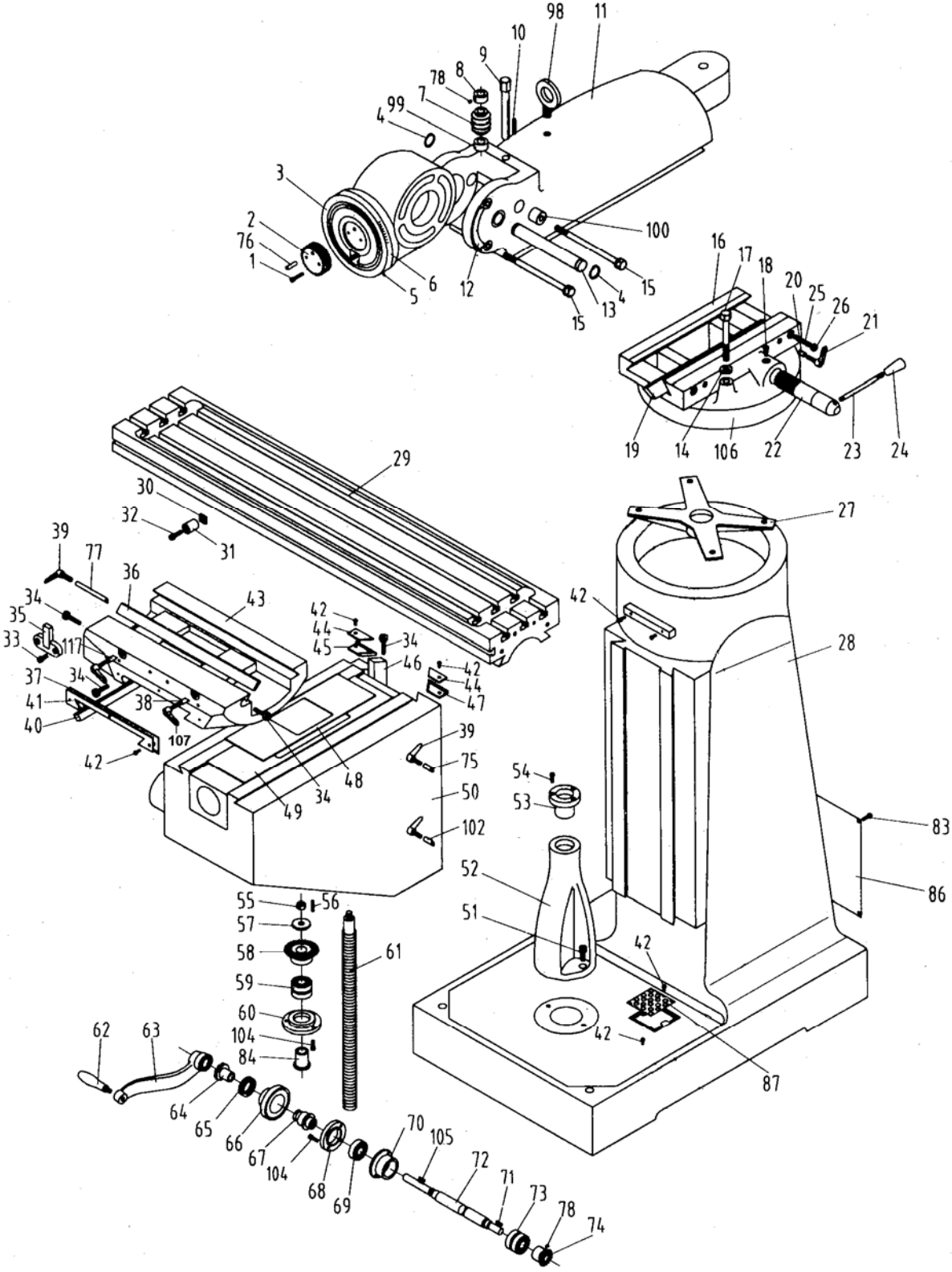
15.2.2 Head Assembly – Parts List

| Index No | Part No | Description | Size | Qty |
|----------|------------|---|----------|-----|
| | LA-166A | Worm Gear Cradle Assembly (includes #1-17,36,37,40) | | 1 |
| 1 | TS-1533042 | Screw | M5x10 | 6 |
| 2 | HA-002 | Bevel Pinion Washer | | 1 |
| 3 | HA-003 | Feed Gear | | 1 |
| 4 | LA-161 | Shaft Sleeve | | 1 |
| 5 | LA-162 | Worm Cradle Bushing | | 1 |
| 6 | TS-1523011 | Set Screw | M6x6 | 9 |
| 7 | LA-163 | Worm Gear Spacer | | 1 |
| 8 | LA-164 | Feed Drive Worm Gear | | 1 |
| 9 | LA-165 | Worm Gear Shaft | | 1 |
| 10 | HA-010 | Worm Shaft Key | 3x3x8mm | 1 |
| 11 | HA-011 | Key | 3x3x20mm | 1 |
| 12 | HA-012 | Lock Nut | M6x16 | 1 |
| 13 | HA-013 | Washer | | 1 |
| 14 | HA-014 | Cluster Gear key | 3x3x8.5 | 1 |
| 15 | LA-154 | Feed Reverse Bevel Gear | | 1 |
| 16 | LA-167 | Feed Engage Pin | | 1 |
| 17 | LA-166 | Worm Gear Cradle | | 1 |
| 18 | LA-033 | Worm Gear Throw-out | | 1 |
| 19 | LA-002 | Shift Sleeve | | 1 |
| 20 | LA-004 | Plunger | | 2 |
| 21 | LA-005 | Spring | | 3 |
| 22 | HA-022 | Spring Pin | 3x22mm | 2 |
| 23 | LA-003 | Cam Rod | | 2 |
| 24 | LA-006 | Plastic Ball | | 3 |
| 27 | LA-147 | Upper Bushing | | 1 |
| 28 | LA-144 | Cluster Gear Assembly | | 1 |
| 29 | HA-029 | Cluster Gear Key | 3x3x45mm | 1 |
| 31 | LA-143 | Cluster Gear Shaft | | 1 |
| 32 | HA-032 | Snap Ring | | 2 |
| 33 | LA-142 | Bevel Gear Bushing | | 1 |
| 34 | LA-141 | Thrust Spacer | | 1 |
| 36 | LA-156 | Feed Drive Gear | | 1 |
| 37 | HA-037 | Key | 3x3x10mm | 1 |
| 40 | LA-157 | Feed Drive Gear | | 1 |
| 41 | HA-041 | Needle Bearing | | 1 |
| 42 | LA-168 | Bushing | | 1 |
| 43 | LA-139 | Worm | | 1 |
| 44 | LA-138 | Feed Worm Shaft Bushing | | 1 |
| 47 | LA-137 | Bevel Gear Thrust Spacer | | 1 |
| 48 | LA-134 | Bushing | | 2 |
| 49 | LA-135 | Feed Reverse Bevel Gear | | 2 |
| 50 | LA-136 | Feed Reverse Clutch | | 1 |
| 55 | LA-132 | Reverse Clutch Rod | | 1 |
| 56 | HA-056 | Spring Pin | 3x20mm | 1 |
| 57 | LA-133 | Feed Worm Shaft | | 1 |
| 59 | HA-059 | Spring Pin | 3x12mm | 2 |
| 60 | LA-150 | Feed Shift Rod | | 1 |
| 61 | TS-1522031 | Set Screw | M5x10 | 1 |
| 62 | HA-062 | Key | 3x3x15mm | 1 |
| 63 | LA-149 | Feed Gear Shift Fork | | 1 |
| 64 | LA-151 | Cluster Gear Shift Crank | | 1 |
| 66 | LA-148 | Cluster Gear Cover | | 1 |
| 67 | TS-1504011 | Hex Socket Cap Screw | M8x10 | 4 |
| 73 | TS-1502081 | Hex Socket Cap Screw | M5x35 | 2 |
| 74 | LA-081 | Clutch Ring Pin | | 2 |
| 75 | LA-080 | Clutch Ring | | 1 |
| 76 | TS-1524011 | Set Screw | M8x8 | 1 |
| 78 | LA-082 | Overload Clutch Lookout | | 1 |
| 79 | LA-083 | Safety Clutch Spring | | 1 |

| Index No | Part No | Description | Size | Qty |
|----------|------------|-----------------------------------|----------|-----|
| 80 | LA-084 | Overload Clutch | | 1 |
| 81 | LA-085 | Overload Clutch Sleeve | | 1 |
| 82 | LA-090 | Key | | 1 |
| 83 | TS-1532052 | Pan Head Machine Screw | M4x16 | 3 |
| 85 | TS-1523031 | Set Screw | M6x10 | 2 |
| 88 | LA-169 | Spring | | 1 |
| 89 | LA-089 | Spring Plunger | | 1 |
| 90 | LA-123 | Pinion Shaft Bushing | | 1 |
| 91 | LA-122 | Spacer | | 1 |
| 92 | LA-087 | Overload Clutch Worm Gear (Brass) | | 1 |
| 93 | LA-086 | Overload Clutch Ring | | 1 |
| 94 | HA-094 | Snap Ring | | 1 |
| 96 | LA-079 | Trip Lever | | 1 |
| 97 | LA-078 | Washer | | 1 |
| 98 | HA-098 | Snap Ring | | 1 |
| 99 | LA-076 | Clutch Arm Cover | | 1 |
| 100 | TS-1523051 | Set Screw | M6x10 | 1 |
| 101 | HA-101 | Lock Nut | | 1 |
| 102 | LA-077 | Pin | | 3 |
| 103 | LA-091 | Cam Rod | | 1 |
| 104 | LA-100 | Trip Handle | | 1 |
| 106 | LA-092 | Feed trip Bracket | | 1 |
| 107 | TS-1503051 | Hex Socket Cap Screw | M6x20 | 2 |
| 109 | HA-109 | Key | 3x3x10mm | 1 |
| 110 | LA-130 | Feed Reverse Knob Stud | | 1 |
| 111 | LA-131 | Reverse Knob | | 1 |
| 112 | HA-112 | Snap Ring | | 1 |
| 113 | LA-129 | Handwheel Clutch | | 1 |
| 114 | SB-3/16 | Steel Ball | 3/16" | 2 |
| 115 | HA-115 | Spring | | 2 |
| 117 | HA-117 | Spring Pin | | 1 |
| 118 | LA-093 | Cam Rod Sleeve Assembly | | 1 |
| 121 | LA-095 | Trip Plunger | | 1 |
| 123 | LA-121A | Bushing | | 1 |
| 124 | LA-097 | Feed Trip Plunger | | 1 |
| 125 | LA-126 | Handwheel | | 1 |
| 126 | LA-125 | Handle | | 1 |
| 127 | LA-050A | Spindle | | 1 |
| 128 | LA-060 | Quill Skirt | | 1 |
| 129 | LA-048 | Lock Nut | | 1 |
| 131 | BB-6206ZZ | Ball Bearing | 6206-ZZ | 1 |
| 133 | LA-051 | Nose Piece | | 1 |
| 134 | LA-052 | Spindle Shield | | 1 |
| 135 | BB-7207C | Ball Bearing | | 2 |
| 136 | LA-054 | Bearing Spacer (large) | | 1 |
| 137 | LA-053 | Bearing Spacer (small) | | 1 |
| 140 | LA-172 | Set Screw | | 1 |
| 142 | LA-058 | Quill | | 1 |
| 143 | TS-154021 | Hex Nut | M4 | 1 |
| 144 | TS-1521071 | Set Screw | M4x20 | 1 |
| 145 | LA-098 | Feed Trip Lever | | 1 |
| 146 | LA-099 | Trip Lever Pin | | 1 |
| 148 | LA-111 | Quill Lock Sleeve | | 1 |
| 149 | LA-109 | Lock Handle | | 1 |
| 150 | HA-150 | Screw | M5x10 | 2 |
| 151 | LA-057 | Felt Washer | | 1 |
| 153 | LA-110 | Quill Lock Sleeve | | 1 |
| 155 | LA-043 | T-Bolt Assembly | | 4 |
| 156 | LA-046 | Spacer | | 4 |
| 157 | LA-040 | Lock Nut | | 4 |
| 158 | HA-158 | Screw | M4x5 | 2 |
| 159 | LA-118 | Micrometer Scale | | 1 |

| Index No | Part No | Description | Size | Qty |
|----------|------------|---|-----------------|-----|
| 161 | LA-115 | Quill Micro-Stop Nut | | 1 |
| 162 | LA-116 | Micrometer Nut | | 1 |
| 163 | LA-117 | Quill Stop Knob | | 1 |
| 164 | LA-112 | Quill Micro-Screw | | 1 |
| 165 | LA-165A | Screw | 3/8-24UNF x 3/4 | 1 |
| 166 | LA-101 | Quill Pinion Shaft | | 1 |
| 168 | LA-101A | Pin | | 1 |
| 171 | HA-171 | Key | | 2 |
| 172 | LA-107 | Pinion Shaft Hub | | 1 |
| 173 | TS-0270021 | Set Screw | 5/16"x1/4" | 1 |
| 175 | LA-106 | Hub | | 1 |
| 176 | LA-104 | Hub Sleeve | | 1 |
| | LA-102/3 | Clock Spring Assembly (includes #177,178) | | 1 |
| 177 | LA-103 | Spring Cover | | 1 |
| 178 | LA-102 | Clock Spring | | 1 |
| 179 | TS-0680061 | Washer | 1/2" | 1 |
| 181 | TS-1523011 | Set Screw | M6x6 | 2 |
| 183 | LA-113 | Lever | | 1 |
| 184 | LA-114 | Plunger | | 1 |
| 185 | LA-124 | Screw | | 1 |
| 186 | LA-018 | Worm Gear | | 1 |
| 188 | LA-173 | Set Screw | | 1 |
| 189 | LA-019 | Worm Shaft | | 1 |
| 190 | LA-105 | Handle | | 1 |
| 191 | LB-017 | Plastic Ball | | 1 |
| 192 | LA-016 | Quill Housing | | 1 |
| 193 | HA-193 | Spring | 10x20mm | 1 |
| 194 | RINS30 | Snap Ring | | 1 |
| 195 | BH1291 | Lock Washer | | 1 |
| 196 | TS-1524011 | Set Screw | M8x8 | 1 |
| 197 | TS-0561031 | Hex Nut | 3/8" | 1 |

15.3.1 Base Assembly – Exploded View

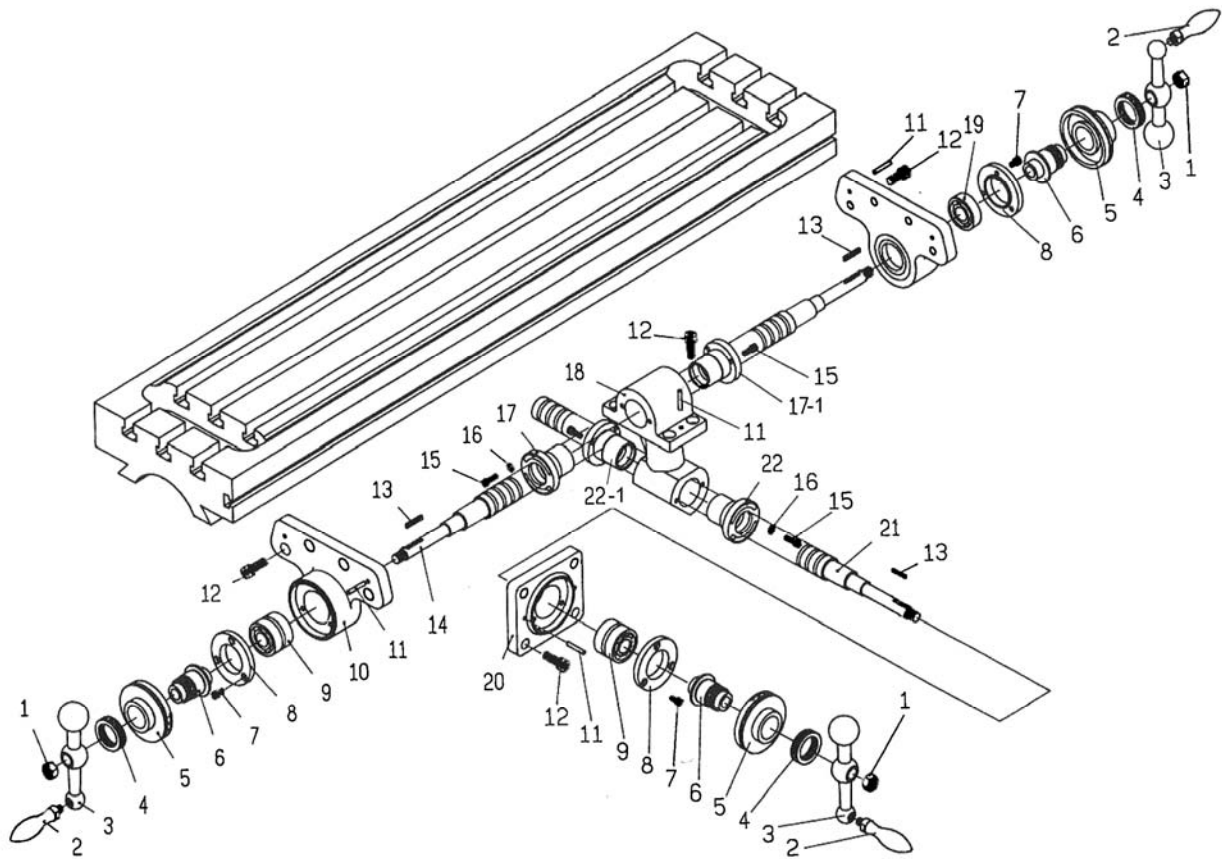


15.3.2 Base Assembly – Parts List

| Index No | Part No | Description | Size | Qty |
|----------|------------|--|------------|-----|
| 1 | LB-001 | Hex Socket Cap Screw | M6 x30 | 2 |
| 2 | LB-023 | Gear | | 1 |
| 3 | LB-020 | Ram Adapter | | 1 |
| 4 | LB-004 | Snap Ring | S-28 | 2 |
| 5 | LB-005 | Rivet | | 15 |
| 6 | LB-027 | Adapter Scale | | 1 |
| 7 | LB-035 | Worm | | 1 |
| 8 | LB-036 | Worm Thrust Washer | | 1 |
| 9 | LB-034 | Shaft | | 1 |
| 10 | LB-100 | Key | 5 x 5 x 40 | 1 |
| 11 | MB-026 | Ram | | 1 |
| 12 | LB-032 | Angle Plate | | 1 |
| 13 | LB-028 | Adapter Pivot Stud | | 1 |
| 14 | LB-031 | Washer | | 4 |
| 15 | LB-030 | Adapter Locking Bolt | | 3 |
| 16 | MB-009 | Turret | | 1 |
| 17 | LB-030 | Lock Bolt | | 4 |
| 18 | LB-041 | Ram Pinion Screw | | 1 |
| 19 | LB-011 | Ram/Turret Gib | | 1 |
| 20 | LS-005E | Lock Plunger | | 2 |
| 21 | LB-014 | Ram Lock Bolt Handle | | 2 |
| 22 | LB-015 | Ram Pinion | | 1 |
| 23 | LB-016 | Handle | | 1 |
| 24 | LB-017 | Black Plastic Ball | | 1 |
| 25 | TS-0211131 | Set Screw | 3/8 x 2 | 2 |
| 26 | TS-0561031 | Hex Nut | 3/8 | 2 |
| 27 | MB-008 | Spider | | 1 |
| 28 | MB-000 | Column (serial # 1999/4/29 and lower) | | 1 |
| | MB-000A | Column (serial # 1999/4/30 and higher) | | 1 |
| 29 | JTM1-330A | Table | | 1 |
| 30 | LT-027 | Stop Nut | | 2 |
| 31 | LT-028 | Table Stop | | 2 |
| 32 | TS-1504071 | Hex Socket Cap Screw | M8 x 35 | 2 |
| 33 | TS-1504031 | Hex Socket Cap Screw | M8 x 16 | 2 |
| 34 | LK-002 | Gib Adjusting Screw | | 6 |
| 35 | LS-003 | Table Stop Bracket | | 1 |
| 36 | LS-008 | Saddle/Table Gib | | 1 |
| 37 | LS-013 | Felt Wiper | | 2 |
| 38 | LS-005B | Table Lock Plunger | 16mm | 2 |
| 39 | LS-011 | Saddle Lock Handle | | 5 |
| 40 | LS-001 | Saddle/Knee Gib | | 1 |
| 41 | LS-014 | Wiper Plate | | 2 |
| 42 | LS-042 | Screw | | 16 |
| 43 | MS-000 | Saddle | | 1 |
| 44 | LS-017A | Wiper Felt | | 2 |
| 45 | LS-016A | Felt (left) | | 1 |
| 46 | LK-001 | Knee/Column Gib | | 1 |
| 47 | LS-016 | Knee/Wiper Felt (right) | | 1 |
| 48 | LK-007 | Upper Chip Guard | | 1 |
| 49 | LK-006 | Lower Chip Guard | | 1 |
| 50 | MK-000 | Knee | | 1 |
| 51 | TS-1505031 | Hex Socket Cap Screw | M10 x 25 | 2 |
| 52 | MK-012 | Elevating Screw Housing | | 1 |
| 53 | MK-014 | Elevating Screw Nut | | 1 |
| 54 | TS-1503041 | Hex Socket Cap Screw | M6 x 16 | 8 |
| 55 | TS-0561052 | Hex Nut | 1/2-20UNF | 1 |
| 56 | LK-058 | Key | 4 x 4 x 30 | 1 |
| 57 | LK-022 | Washer | | 1 |
| 58 | MK-021 | Bevel Gear | | 1 |
| 59 | BB-6306ZZ | Ball Bearing | | 2 |

| Index No | Part No | Description | Size | Qty |
|----------|--------------|-----------------------------------|------------|---------|
| 60 | MK-019 | Bearing Retainer Ring | | 1 |
| 61 | MK-016 | Elevating Screw | | 1 |
| 62 | LK-037 | Handle | | 1 |
| 63 | LK-036 | Elevating Crank | | 1 |
| 64 | LK-035 | Clutch Insert | | 1 |
| 65 | LK-034 | Dial Lock Nut | | 1 |
| 66 | LK-033 | Dial | | 1 |
| 67 | LK-032 | Dial Holder | | 1 |
| 68 | LK-030 | Bearing Retainer Ring | | 1 |
| 69 | BB-6204ZZ | Ball Bearing | | 1 |
| 70 | LK-029 | Bearing Cap | | 1 |
| 71 | LK-075 | Key | 4 x 4 x 18 | 2 |
| 72 | MK-028 | Elevating Shaft | | 1 |
| 73 | BB-6204ZZ | Ball Bearing | | 2 |
| 74 | MK-024 | Bevel Pinion | | 1 |
| 75 | LK-003 | Plunger | | 1 |
| 76 | LK-081 | Spring Pin | 8 x 30 | 1 |
| 77 | LS-010 | Saddle Lock Plunger | | 1 |
| 83 | MB-090 | Screw | 1/4 x 3/8 | 4 |
| 84 | MK-038 | Bushing | | 1 |
| 86 | MB-004 | Cover | | 1 |
| 87 | MB-041 | Strainer Screen | | 2 |
| 98 | RIBW34 | Hoisting Ring | | 1 |
| 99 | LB-036 | Worm Thrust Washer | | 1 |
| 100 | LB-033 | Thrust Washer | | 1 |
| 102 | LK-003 | Lock Plunger | | 1 |
| 104 | TS-1503051 | Hex Socket Cap Screw | M6 x 20 | 6 |
| 105 | KEY3320 | Key | 3x3x20mm | 1 |
| 106 | MB-00B | Turret Scale | | 1 |
| 107 | LS-006B | Saddle Ratcheting Lever | | 3 |
| 117 | LS-005A | Table Lock Plunger – L | | 3 |
| | JTM1-WCF | Flat Way Cover (not shown) | | 1 |
| | JTM1-WCA | Pleated Way Cover (not shown) | | 1 |
| | JTM4VS-TB | Tool Box Kit Complete (not shown) | | 1 |
| | STRIPE-1-3/4 | JET Stripe | 1-3/4"W | per ft. |

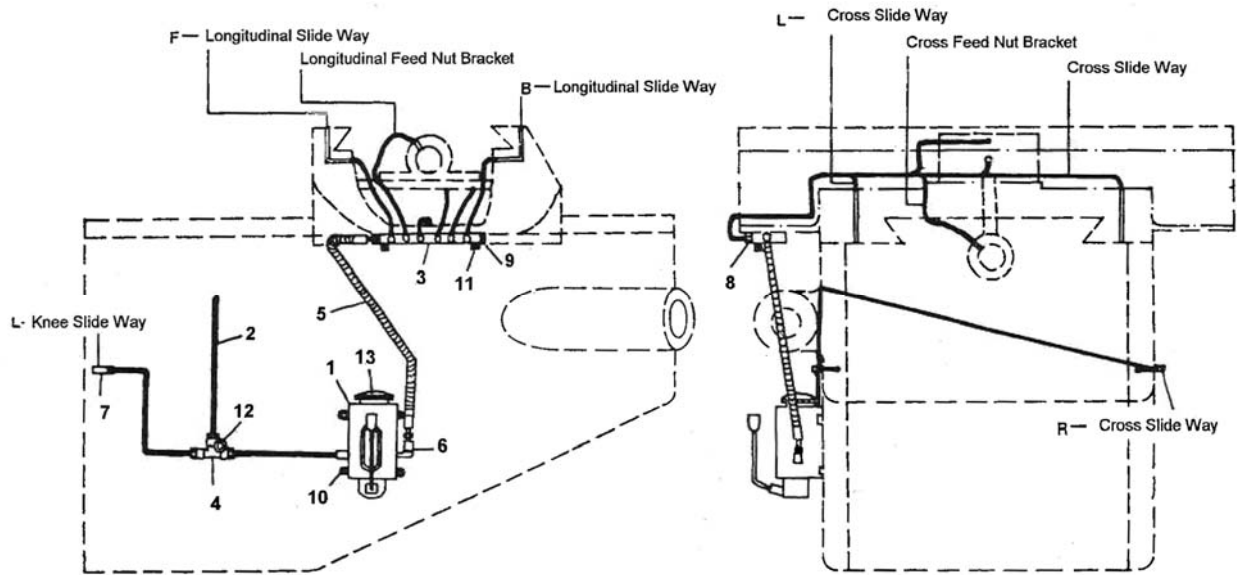
15.4.1 Table Leadscrew Assembly – Exploded View



15.4.2 Table Leadscrew Assembly – Parts List

| Index No | Part No | Description | Size | Qty |
|----------|------------|-------------------------------------|------------|-----|
| 1 | TS-0571052 | Jam Nut | 1/2-20UNF | 3 |
| 2 | LT-010C | Handle | | 3 |
| 3 | LT-010B | Ball Crank | | 3 |
| 4 | LT-009 | Dial Lock Nut | | 3 |
| 5 | LT-008 | Dial | | 3 |
| 6 | LT-007 | Dial Holder | | 3 |
| 7 | TS-1503021 | Hex Socket Cap Screw | M6 x 12 | 3 |
| 8 | LT-005 | Bearing Retainer Ring | | 3 |
| 9 | BB-6204ZZ | Ball Bearing | | 3 |
| 10 | LT-002 | Bearing Bracket | | 2 |
| 11 | LS-009 | Spring Pin | 5 x 30 | 8 |
| 12 | TS-1505031 | Hex Socket Cap Screw | M10 x 25 | 16 |
| 13 | BD920-A04 | Key | 3 x 3 x 25 | 3 |
| 14 | MT-015B | Longitudinal Feed Screw | | 1 |
| 15 | TS-1503041 | Hex Socket Cap Screw | M6 x 16 | 10 |
| 16 | TS-1550051 | Washer | M7 | 4 |
| 17 | MT-019B | Feed Screw Nut Set (includes #17-1) | | 1 |
| 18 | MT-017 | Feed Nut Bracket | | 2 |
| 19 | BB-6204ZZ | Ball Bearing | | 1 |
| 20 | MT-025 | Cross Feed Bearing Bracket | | 1 |
| 21 | MT-024 | Cross Feed Screw | | 1 |
| 22 | MT-022 | Cross Feed Nut Set (includes #22-1) | | 2 |

15.5.1 One-Shot Lubrication System – Exploded View



15.5.2 One-Shot Lubrication System – Parts List

| Index No | Part No | Description | Size | Qty |
|----------|-----------------|--|---------|-----|
| | LT-8-A | Hand Oiler Assembly (includes #1,1A,4,5,9) | | 1 |
| 1 | LT-8 | Hand Oiler | | 1 |
| 1A | LT-8-SG | Hand Oiler Sight Glass (with gasket) | | 1 |
| 2 | ALMP-04 | Aluminum Pipe | 3.5M | 1 |
| | ALMP-04-VS | Oil Line Set w/ Fittings | | 1 |
| 3 | DB-4 | Oil Regulating Distributor | | 1 |
| 4 | PKD-4 | T-Joint | | 1 |
| 5 | FHC-404 | Flexible Steel Tube | | 1 |
| 6 | PH-1-1/PB-4 | Check Joint | | 2 |
| 7 | PH-4 | Elbow Joint | | 2 |
| 8 | PA-4/PB-4 | Straight Joint | | 14 |
| 9 | PG-004 | Union | | 1 |
| 10 | JTM4VS-BUTW1458 | Screw | | 4 |
| 11 | TS-1503061 | Hex Socket Cap Screw | M6 x 25 | 2 |
| 12 | TS-1502061 | Hex Socket Cap Screw | M5 x 25 | 1 |
| 13 | LT-8-C | Oil Cap | | 1 |



427 New Sanford Road
LaVergne, Tennessee 37086
Phone: 800-274-6848
www.jettools.com