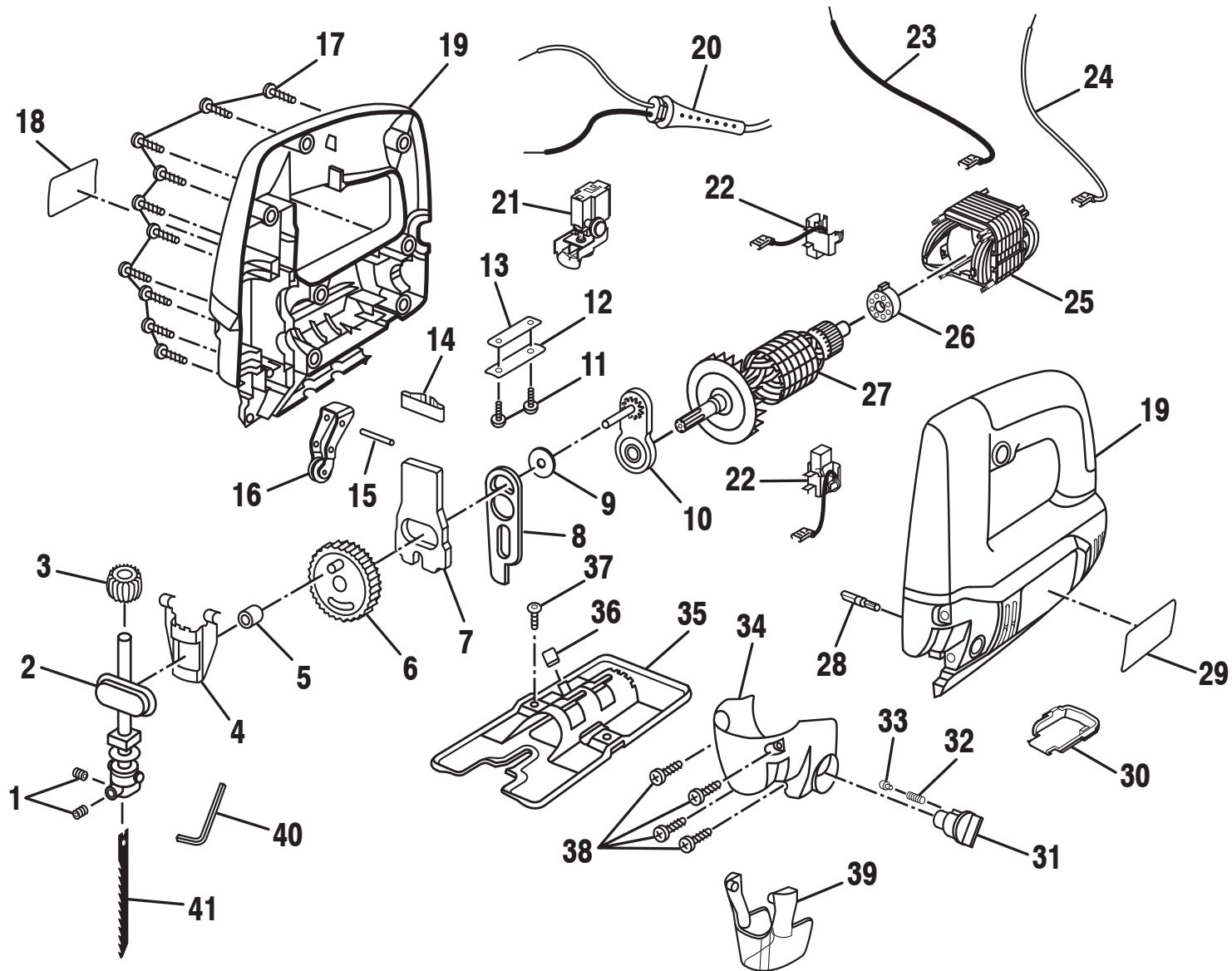


RYOBI JIG SAW – MODEL NUMBER JS048



WARNING:

Improper repair of a double insulated tool can result in damages to the double insulation system possibly causing electrical shock or electrocution. Any repairs requiring disassembly of your tool requires safety testing and should only be performed by an authorized service center. For the repair center nearest you call 1-800-525-2579 in the United States or 1-800-265-6778 in Canada.

RYOBI JIG SAW – MODEL NUMBER JS048

The model number will be found on a plate attached to the motor housing. Always mention the model number in all correspondence regarding your **JIG SAW** or when ordering repair parts.

PARTS LIST

Key No.	Part Number	Description	Quan.	Key No.	Part Number	Description	Quan.
1	970740-002	SCREW (#1/4-28 X 1/4 in. HEX SOC. HD.) ..	2	22	968304-078	BRUSH ASSEMBLY	2
2	974301-001	SAW BAR ASSEMBLY	1	23	975028-002	BLACK LEAD	1
3	975245-000	HEAT SINK W/BEARING	1	24	975028-001	WHITE LEAD	1
4	974305-001	SLIDE GUIDE PLATE	1	25	968307-127	FIELD ASSEMBLY	1
5	975276-000	BUSHING W/BEARING	1	26	611135-005	SLEEVE BEARING	1
6	975233-000	GEAR ASSEMBLY	1	27	968306-135	ARMATURE ASSEMBLY	1
7	974297-003	COUNTERWEIGHT	1	28	974307-800	ADJUSTMENT ROD	1
8	974298-002	DRIVE PLATE	1	29	974316-001	LOGO PLATE	1
9	706382-343	WASHER	1	30	974313-001	DOOR	1
10	975232-000	BEARING BLOCK W/BEARINGS	1	31	974306-001	ADJUSTMENT KNOB	1
11	974321-002	SCREW (#10-24 X 1/2 in. BUTTON HD.)	2	32	970627-001	SPRING	1
12	974309-001	CLAMP PLATE	1	33	970700-001	DETENT BUTTON	1
13	974631-002	STRIP NUT	1	34	974311-001	FRONT COVER	1
14	968507-002	SPRING	1	35	974308-002	BASE ASSEMBLY	1
15	623924-010	NEEDLE ROLLER	1	36	975083-001	TUBE	1
16	975234-000	BLADE GUIDE ASSEMBLY	1	37	974321-001	SCREW (#10-24 X 3/8 in. BUTTON HD.)	1
17	643526-003	SCREW (#8-18 X 5/8 in. PAN HD. HI-LO)	10	38	968700-007	SCREW (#6-19 X 1/2 in. PAN HD.)	4
18	974314-001	DATA PLATE	1	39	974312-001	CHIP SHIELD	1
19	975230-000	HOUSING ASSEMBLY	1	40	820193-005	1/8 in. HEX ALLEN WRENCH	1
20	969274-017	CORD	1	41	*	SAW BLADE	1
21	968303-099	SWITCH	1		972000-303	OWNER'S MANUAL	

11-96

* STANDARD HARDWARE ITEM — MAY BE PURCHASED LOCALLY