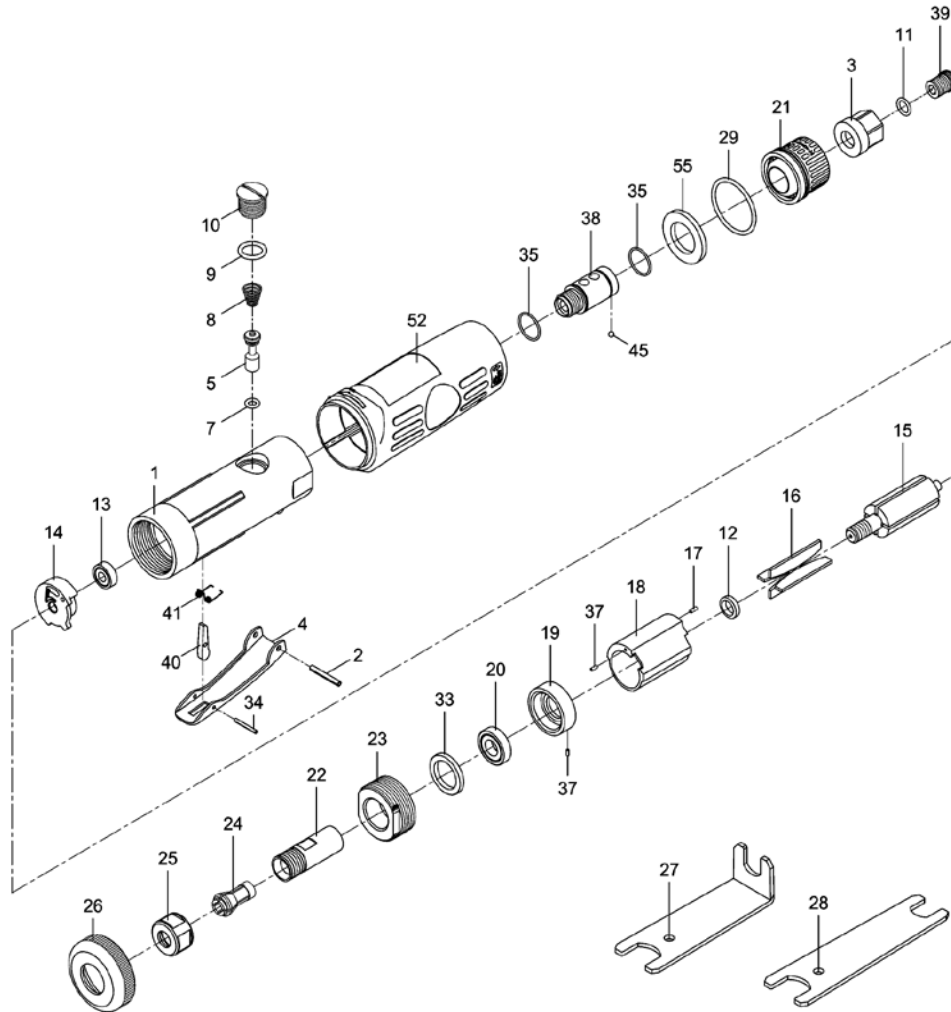




JSM-5130 Die Grinder

Stock No. JSM-5130



Index Part No	Description	Qty	
1	JSM5130-01 .. Motor Housing	1	
2	SM-30102..... Spring Pin (3x24)	1	
3	JSM5130-03.. Air Inlet.....	1	
4	JSM5130-04.. Throttle Lever.....	1	
5	JSM5130-05.. Valve Shaft.....	1	
7	70107	O-Ring (4.8x1.9)	1
8	51208	Valve Spring	1
9	70123	O-Ring (11.8x2.4)	1
10	JSM5130-10.. Throttle Valve Plug	1	
11	JSM5130-11.. O-Ring (7.5x1.5)	1	

Index Part No	Description	Qty	
12	51212.....	Rotor Bushing	1
13	BB-696ZZ	Ball Bearing (696ZZ).....	1
14	JSM5130-14 ..	Rear End Plate.....	1

Parts List continued on back

To order parts, call our service department at 800-274-6848 Monday through Friday (see our website for business hours, www.jettools.com). Having the Model Number and Serial Number will allow us to serve you quickly and accurately.

JET

427 New Sanford Road
 LaVergne, Tennessee 37086
 Ph.: 800-274-6848
www.jettools.com

Part No. M-JSM-5130
 Revision A3 06/2014
 Copyright © 2014 JET

Index Part No	Description	Qty	Index Part No	Description	Qty
15	JSM5130-15..Rotor	1	33	JSM5130-33..Washer	1
16	JSM5130-16..Rotor Blades	4	34	51542.....Spring Pin (2x18)	1
17	SM-30117.....Spring Pin (1.5x6)	1	35	JSM5130-35..O-Ring (14x1)	2
18	JSM5130-18..Cylinder	1	37	JSM4140-27..Spring Pin (1.5x4)	2
19	JSM5130-19..Front End Plate	1	38	JSM5130-38..Fixed Shaft	1
20	BB-6000ZZ....Ball Bearing (6000ZZ)	2	39	JSM5130-39..Screw	1
21	JSM5130-21..Deflector	1	40	JSM5130-40..Safety Bar	1
22	51222.....Spindle	1	41	JSM5130-41..Spring	1
23	JSM5130-23..Clamp Nut	1	45	SB-1/8.....Steel Ball (1/8")	1
24	51224.....Collet (1/4")	1	52	JSM5130-52..Rubber Grip	1
25	51225.....Collet Nut	1	55	JSM5130-55..Damping Material	1
26	JSM5130-26..Front Cap	1			
27	51227.....Angle Double Ended Spanner	1		RPK-5130.....Repair Kit ¹	
28	51228.....Double Ended Spanner	1		RBK-5130.....Rebuild Kit ²	
29	JSM5130-29..O-Ring (28.5x2)	1			

¹ Contains Index No.'s 7, 8, 9, 11, 16, 29, 35

² Contains Index No.'s 18, 24, 25

Specifications

Stock number.....	JSM-5130
Collet size (in.).....	1/4
Horsepower.....	1/2 HP
Free speed (RPM).....	20,000
Air pressure (PSI).....	90
Air consumption (CFM).....	4
Air inlet (in.).....	1/4 NPT
Air hose inside diameter (in.).....	3/8
Vibration value (m/s ²).....	1.68
Overall length (in.).....	7.4
Noise level (dB).....	79
Weight (Shipping/Net) (lb).....	2.04/1.5