

Cordless Jigsaw - 3 601 E8J 311 - JSH180

www.powertools-aftersaleservice.com

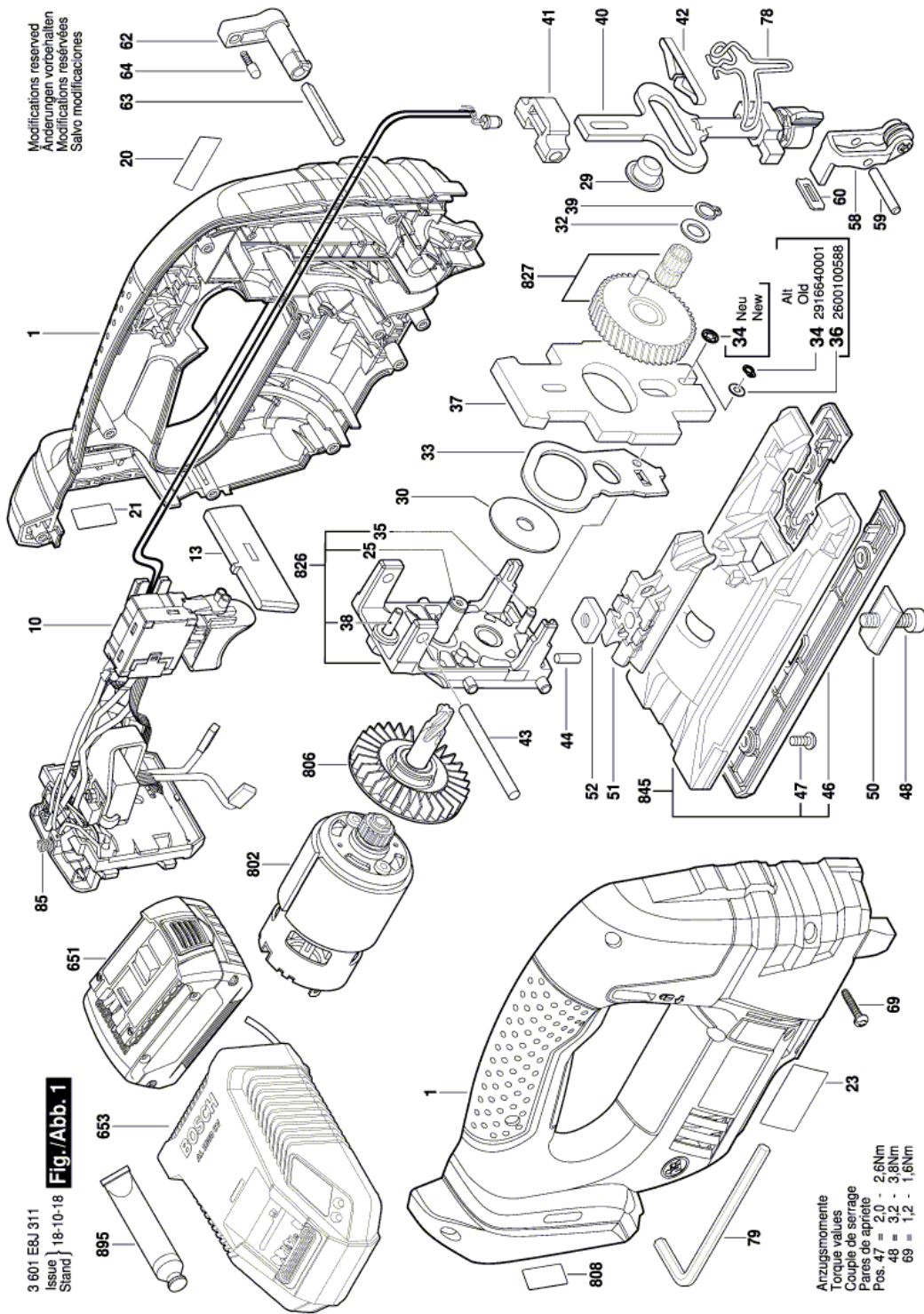


BOSCH

Item	Part Number	Description	Illustration	Price	Quantity	Price Group
1	2 605 105 177	Housing Section	1	-,-	1	37
10	1 607 233 518	Electronics Module	1	-,-	1	45
13	2 607 200 686	Adjusting Slide	1	-,-	1	12
20	2 601 111 561	Manufacturer's nameplate Lithium-Ion 18V	1	-,-	1	13
21	2 601 115 659	Reference Plate	1	-,-	1	13
23	2 601 111 562	Warning Plate	1	-,-	1	13
25	2 603 105 080	Bearing bolt	1	-,-	1	13
29	2 600 914 022	Needle bearing	1	-,-	1	19
30	2 600 101 048	Shim 0,5 MM	1	-,-	1	11
32	2 600 101 077	Shim 0,5 MM	1	-,-	1	11
33	2 601 923 012	Fork Lever	1	-,-	1	16
34	1 600 A00 8C6	Retaining Washer	1	-,-	1	10
35	2 603 105 091	Bearing bolt	1	-,-	1	13
37	2 601 098 098	Counterweight	1	-,-	1	22
38	2 603 201 055	Needle Roller	1	-,-	1	11
39	2 916 640 905	Spring retaining ring 8x0,8 N31A MR7	1	-,-	1	11
40	2 600 780 173	Lifting Rod	1	-,-	1	35
41	2 605 801 038	Plain bearing	1	-,-	1	17
42	1 604 612 01E	Compression Spring	1	-,-	1	11
43	2 603 201 089	Needle Roller	1	-,-	2	17
44	2 603 105 143	Bearing bolt	1	-,-	1	10
46	2 601 099 225	Work Board	1	-,-	1	21
47	2 603 410 048	Thread-forming tap. Screw M4x8	1	-,-	4	11
48	2 910 141 203	Hex Socket Head Cap Screw DIN 912-M6x25-8.8	1	-,-	1	11
50	2 601 030 019	Profile Beading	1	-,-	1	13
51	2 605 500 207	Location Piece	1	-,-	1	24
52	2 600 040 004	fixing plate	1	-,-	1	14
58	2 601 321 077	Roller Lever	1	-,-	1	24
59	2 609 002 725	Straight Pin	1	-,-	1	10
60	2 601 015 077	Sealing Plate	1	-,-	1	11
62	2 601 015 113	Change-Over Switch	1	-,-	1	12
63	2 603 124 155	Control Shaft	1	-,-	1	11
64	2 600 590 006	Ratchet Cap	1	-,-	1	11

Item	Part Number	Description	Illustration	Price	Quantity	Price Group
69	2 609 110 201	Torx Flat-Head Screw 3x16	1	-,-	10	10
78	2 603 105 138	Protecting Cover	1	-,-	1	26
79	1 907 950 006	Offset Screwdriver DIN 911-SW5 BLACK	1	-,-	1	16
85	2 604 690 055	Compression Spring	1	-,-	1	10
651	2 607 336 093	Battery Set 18V, 2,6Ah, LI, MS	1	-,-	1	52
653	2 607 225 927	Charger USA BC 1880 CV 13,3-18V/120V	1	-,-	1	47
655	2 601 016 093	Splintering Protector	N/A	-,-	1	16
802	2 607 022 831	DC motor 18V	1	-,-	1	43
806	2 606 445 016	Coupling Half	1	-,-	1	27
808	1 601 11A 1PW	Nameplate	1	-,-	1	13
826	2 605 807 946	Bearing Bracket	1	-,-	1	31
827	2 609 001 931	Eccentric Cog Wheel	1	-,-	1	30
845	2 601 016 906	Base Plate	1	-,-	1	32
895	3 605 430 003	Grease Tube Albida	1	-,-	1	32

Illustration - Type E



Information subject to change without further notice.