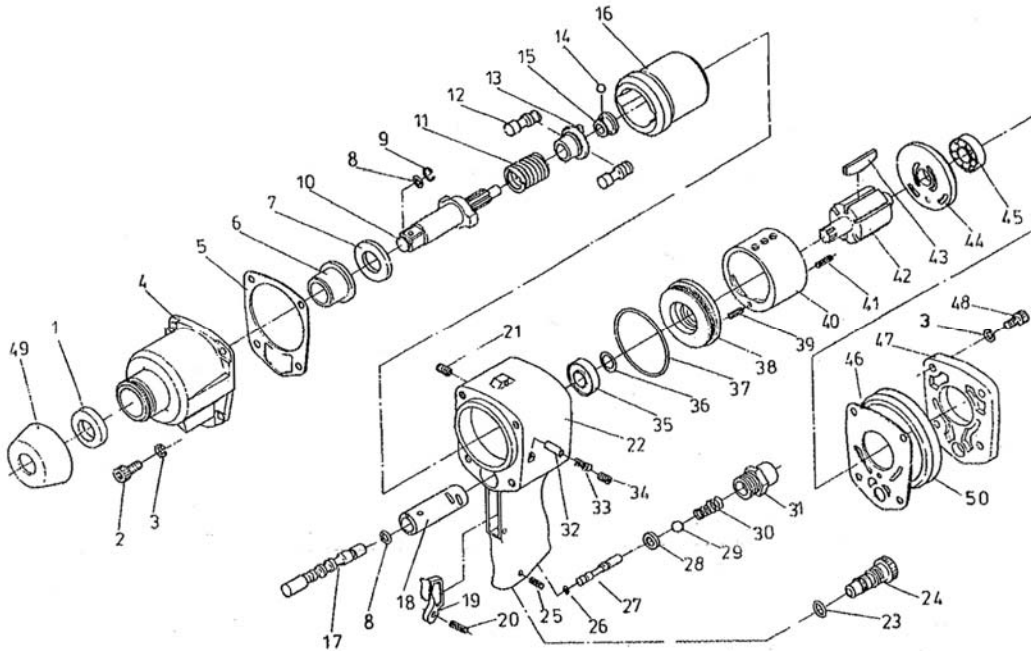




Parts List for JSG-0717SH, 1/2" Impact Wrench



Index	Part No.	Description	Qty.
1	00-4212	Oil Seal	1
2	00-0117	Cap Screw	4
3	00-1802	Spring Washer	8
4	29-0002	Hammer Case	1
5	29-0008	Front Gasket	1
6	29-0017	Anvil Bushing	1
7	30-0001	Spacer	1
8	00-4103	O-Ring	2
9	25-1040	Anvil Collar	1
10	30-0002S	Anvil (Short)	1
11	30-0003	Spring	1
12	30-0005	Hammer Pin	2
13	30-0004	Drive Cam	1
14	SB-5/16	Steel Ball, 5/16"	1
15	30-0006	Driver Cam Foundation	1
16	30-0007	Hammer Cage	1
17	29-0004	Reverse Valve	1
18	29-0005	Valve Sleeve	1
19	29-0022	Trigger	1
20	00-3303	Spring Pin	1
21	00-0614	Set Screw	1
22	29-0001	Housing	1
23	00-4114	O-Ring	1
24	29-0007	Air Regulator	1
25	00-3302	Spring Pin	1
26	00-4101	O-Ring	1
27	29-0010	Valve Stem	1

Index	Part No.	Description	Qty.
28	29-0020	Bushing	1
29	SB-3/8	Steel Ball, 3/8"	1
30	25-1009	Spring	1
31	25-1010	Hose Adaptor	1
32	25-1032	Pin	1
33	25-1031	Spring	1
34	00-0609	Set Screw	1
35	BB-6001Z	Ball Bearing	1
36	00-4201	Oil Seal	1
37	00-4120	O-Ring	1
38	29-0024	Front End Plate	1
39	00-3304	Spring Pin	1
40	29-0021	Cylinder	1
41	00-3308	Spring Pin	1
42	29-0019	Rotor	1
43	29-0013	Rotor Blade	6
44	29-0023	Rear End Plate	1
45	BB-6001	Ball Bearing	1
46	29-0006	Gear Gasket	1
47	29-0003	Rear Cover	1
48	00-0107	Cap Screw	4
49	29-0009	Protective Rubber	1
50	25-1044	Rubber Piece	1

RPK-0717SH Repair Kit (contains #8,23,26,29,30,36,37,43)
 RBK-0717SH Rebuild Kit (contains #1,5,10,11,12,13,15,46)

JET
 427 New Sanford Road
 LaVergne, Tennessee 37086
 Ph.: 800-274-6848
 www.jettools.com

Part No. M-JSG-0717SH
 Revision B 08/2014

Copyright © 2014 JET, a Division of JPW Industries, Inc.

Replacement Parts

To order parts or reach our service department, call 1-800-274-6848 Monday through Friday (see our website for business hours, www.jettools.com). Having the Model Number and Serial Number of your product available when you call will allow us to serve you quickly and accurately.

Specifications for 1/2" Impact Wrench

Stock Number.....	JSG-0717SH
Square Drive (in.).....	1/2
Impact Mechanism.....	Pin Clutch Hammer
Bolt Capacity (in.).....	5/8
Anvil Retainer Type.....	Ring
Maximum Torque (ft./lbs).....	380
Working Torque (ft./lbs.).....	75-320
Torque Settings.....	forward 1 step, reverse 1 step
Free Speed (RPM).....	7000
Air Consumption (CFM).....	5
Air Inlet (NPT/in.).....	1/4
Air Hose (ID/in.).....	3/8
Vibration Value (m/s ²).....	2.5
Noise Level (dB).....	88
Overall Length (in.).....	7-5/8
Weight (lbs.).....	6

The above specifications were current at time of publication, but because of our policy of continuous improvement, JET reserves the right to change specifications at any time and without prior notice, without incurring obligations.