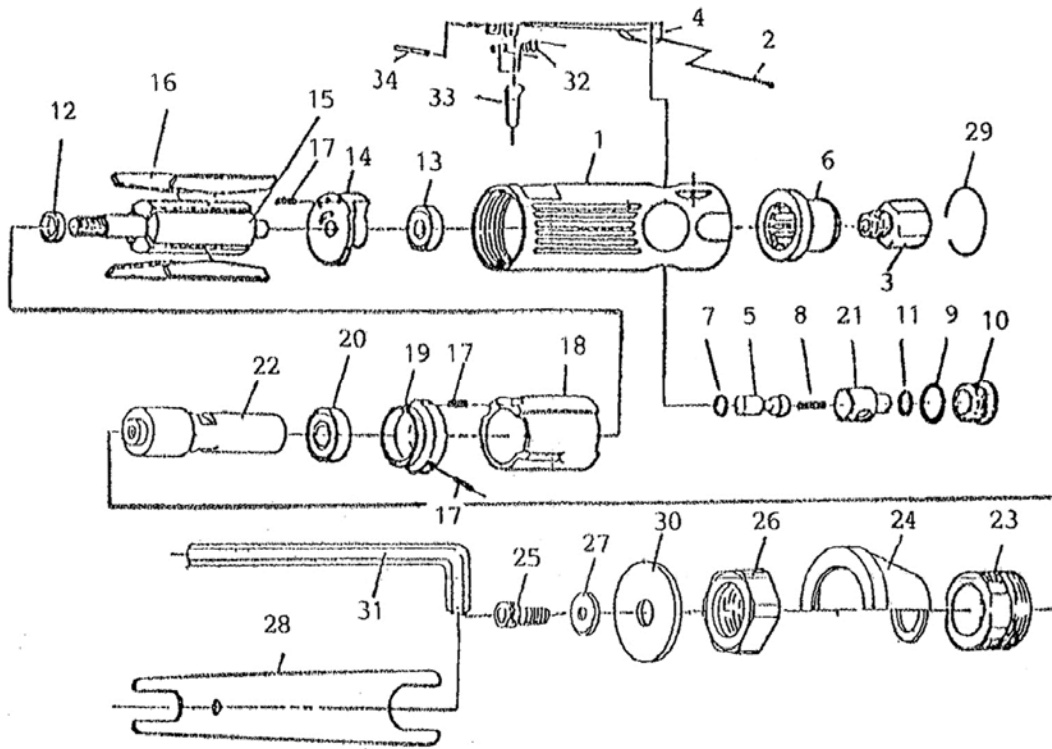




Parts List for JSG-0516 Utility Cut-Off Tool



Index	Part No.	Description	Qty.
1	SM-52601	Motor Housing	1
2	SM-52602	Lever Pin	1
3	SM-52603	Air Inlet	1
4	SM-52604	Throttle Lever	1
5	SM-52605	Valve Stem	1
6	SM-52606	Exhaust Deflector	1
7	SM-52607	O-Ring	1
8	SM-52608	Valve Spring	1
9	SM-52609	O-Ring	1
10	SM-52610	Throttle Valve Plug	1
11	SM-52611	O-Ring	1
12	SM-52612	Rotor Bushing	1
13	SM-52613	Ball Bearing	1
14	SM-52614	Rear End Plate	1
15	SM-52615	Rotor	1
16	SM-52616	Rotor Blades	4
17	SM-52617	Pin	3
18	SM-52618	Cylinder	1

Index	Part No.	Description	Qty.
19	SM-52619	Front End Plate	1
20	SM-52620	Ball Bearing	1
21	SM-52621	Air Regulator	1
22	SM-52622	Spindle	1
23	SM-52623	Retainer	1
24	SM-52624	Guard	1
25	SM-52625	Hex Screw	1
26	SM-52626	Nut	1
27	SM-52627	Washer	1
28	SM-52628	Spanner	1
29	SM-52629	Retainer Ring	1
30	SM-52630	Cutting Wheel	1
31	SM-52631	Allen Wrench	1
32	SM-52632	Spring	1
33	SM-52633	Safety Bar	1
34	SM-52634	Spring Pin	1

RPK-0516 Repair Kit (contains #2,7,8,9,11,16)

JET

427 New Sanford Road
 LaVergne, Tennessee 37086
 Ph.: 800-274-6848
 www.jettools.com

Part No. M-JSG-0516

Revision B 08/2014

Copyright © 2014 JET, a Division of JPW Industries, Inc.

Replacement Parts

To order parts or reach our service department, call 1-800-274-6848 Monday through Friday (see our website for business hours, www.jettools.com). Having the Model Number and Serial Number of your product available when you call will allow us to serve you quickly and accurately.

Specifications for Utility Cut-Off Tool

Stock Number	JSG-0516
Wheel Size (in.)	3 x 3/8
Horsepower	1/2
Free Speed (RPM)	2000
Air Pressure (PSI)	90
Air Consumption (CFM)	4
Air Inlet (NPT/in.)	1/4
Air Hose (ID/in.)	3/8
Vibration Value (m/s ²)	2.2
Overall Length (in.)	8
Shipping Weight (lbs.)	3

The above specifications were current at time of publication, but because of our policy of continuous improvement, JET reserves the right to change specifications at any time and without prior notice, without incurring obligations.