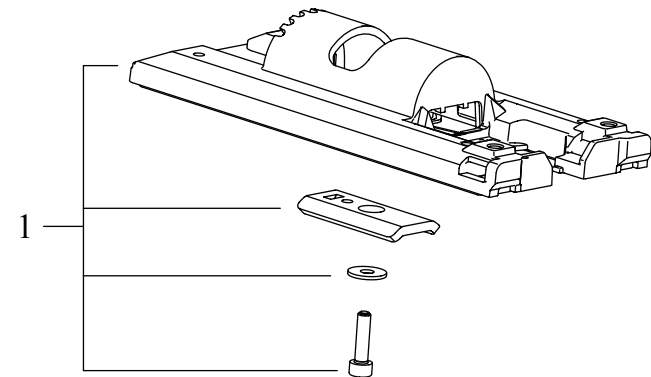
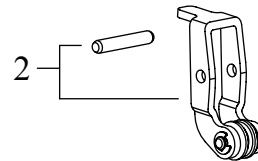
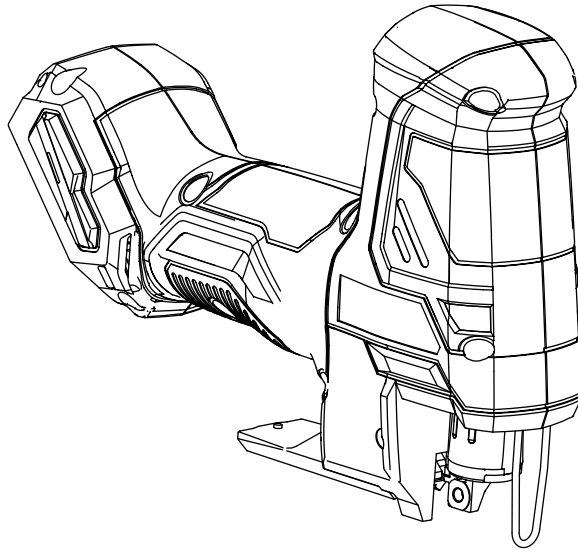




Product Description: Jig Saw  
Model Number: JS5833A-00  
Body Number: 0770024001  
Version: A  
Issue Date: 2020/3/30



No.	Product Model#	Part Number	Description	Qty
1	JS5833A-00	2827433001	Base Plate Assembly	1
2	JS5833A-00	2827436001	Roller Support Set	1