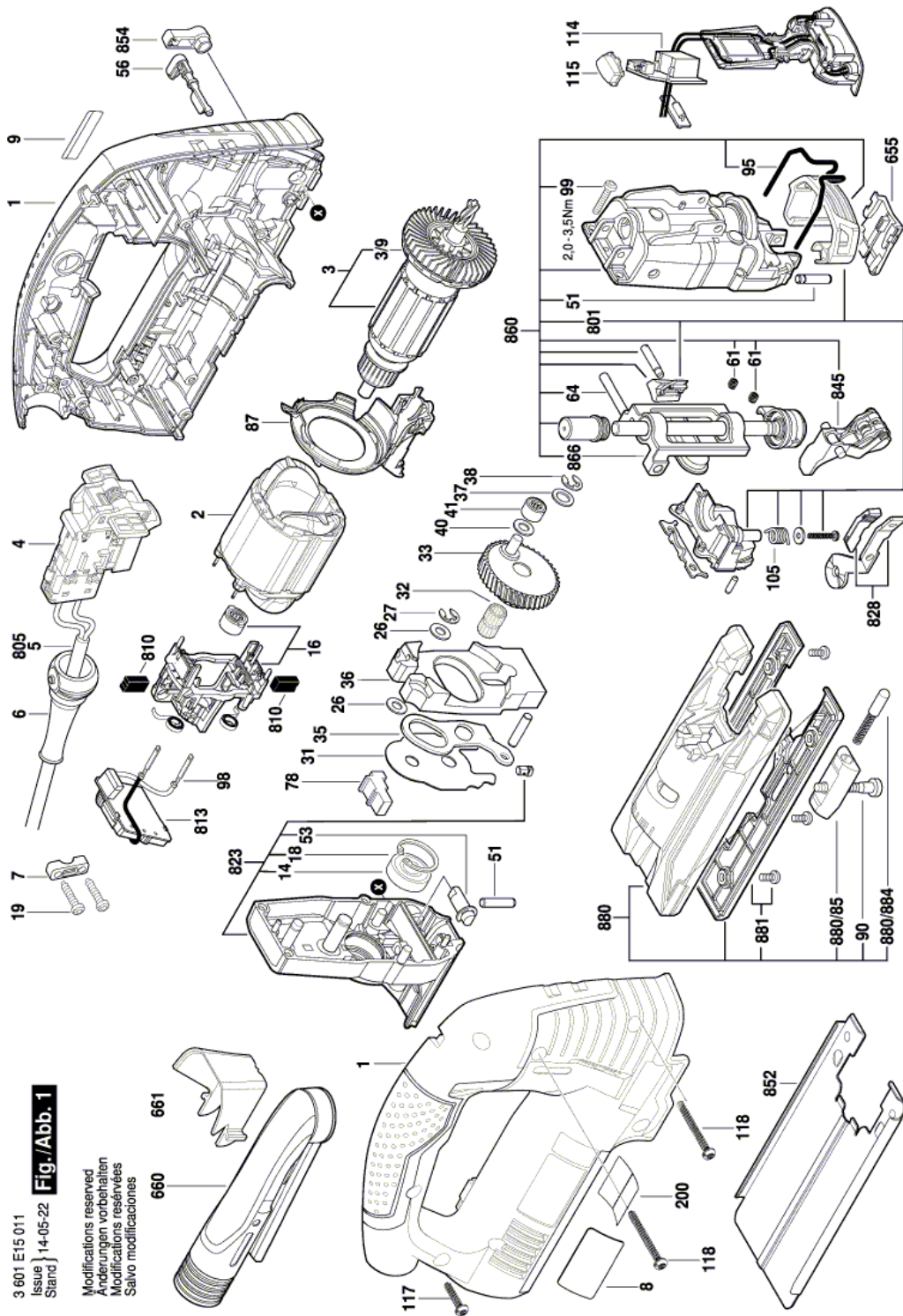


Illustration - Type E



Information subject to change without further notice.

## Jig Saw - 3 601 E15 011 - JS572E

www.powertools-aftersaleservice.com



**BOSCH**

| Item | Part Number   | Description   | Illustration | Price | Quantity | Price Group |
|------|---------------|---|--------------|-------|----------|-------------|
| 1    | 2 605 105 181 | Housing Section   | 1            | -,-   | 1        | 33          |
| 2    | 2 604 220 742 | Field 110V  | 1            | -,-   | 1        | 33          |
| 3    | 2 604 011 432 | Armature 110V   | 1            | -,-   | 1        | 40          |
| 3/9  | 2 606 610 089 | Fan   | 1            | -,-   | 1        | 17          |
| 4    | 2 607 200 670 | Switch  | 1            | -,-   | 1        | 28          |
| 5    | 2 604 460 240 | Power supply cord USA/CAN/ SMA 4,15m 2 x 0,82mm SJ 18/2 | 1            | -,-   | 1        | 31          |
| 6    | 2 600 707 076 | Grommet   | 1            | -,-   | 1        | 12          |
| 7    | 2 601 035 001 | Cable Clip  | 1            | -,-   | 1        | 11          |
| 8    | 2 601 112 217 | Warning Plate   | 1            | -,-   | 1        | 13          |
| 9    | 2 601 112 020 | Manufacturer's nameplate JS572E                         | 1            | -,-   | 1        | 13          |
| 14   | 2 600 905 112 | groove ball bearing 9x24x7                              | 1            | -,-   | 1        | 24          |
| 16   | 2 605 807 138 | Brush Plate   | 1            | -,-   | 1        | 28          |
| 18   | 2 916 660 008 | Spring retaining ring DIN 472-24x1,2 MM                 | 1            | -,-   | 1        | 11          |
| 19   | 2 603 490 022 | Torx Oval-Head Screw 4x16                               | 1            | -,-   | 2        | 10          |
| 26   | 2 600 100 040 | Shim  | 1            | -,-   | 2        | 11          |
| 27   | 2 916 080 908 | Locking Washer 5 DIN 6799                               | 1            | -,-   | 1        | 10          |
| 31   | 2 600 101 124 | Shim  | 1            | -,-   | 1        | 11          |
| 32   | 2 600 913 040 | Needle-Roller Assembly                                  | 1            | -,-   | 1        | 18          |
| 33   | 2 606 320 107 | Eccentric Cog Wheel                                     | 1            | -,-   | 1        | 30          |
| 35   | 2 601 923 015 | Fork Lever  | 1            | -,-   | 1        | 14          |
| 36   | 2 601 098 120 | Counterweight   | 1            | -,-   | 1        | 29          |
| 37   | 2 600 101 047 | Shim 0,3 MM   | 1            | -,-   | 1        | 11          |
| 38   | 2 916 080 909 | Locking Washer DIN 6799-6-FST                           | 1            | -,-   | 1        | 10          |
| 40   | 2 600 101 130 | Shim washer   | 1            | -,-   | 1        | 11          |
| 41   | 2 600 917 900 | Needle bearing  | 1            | -,-   | 1        | 21          |
| 51   | 2 603 105 131 | Bearing bolt  | 1            | -,-   | 1        | 12          |
| 53   | 2 603 124 157 | Control Shaft   | 1            | -,-   | 1        | 17          |
| 56   | 2 602 026 170 | Rotary Knob   | 1            | -,-   | 1        | 11          |
| 61   | 2 604 610 151 | Compression Spring                                      | 1            | -,-   | 2        | 11          |
| 64   | 2 601 322 045 | Straight Pin  | 1            | -,-   | 1        | 11          |
| 78   | 2 600 206 031 | Damping Element   | 1            | -,-   | 1        | 13          |
| 87   | 2 605 500 206 | Air-Deflector Ring                                      | 1            | -,-   | 1        | 22          |

| Item    | Part Number   | Description                                  | Illustration | Price | Quantity | Price Group |
|---------|---------------|--|--------------|-------|----------|-------------|
| 90      | 2 910 131 205 | Hex Socket Head Cap Screw DIN 7984 M6x30-8.8 |              | 1     | -,-      | 1 10        |
| 95      | 2 603 101 060 | Protecting Cover                             |              | 1     | -,-      | 1 16        |
| 98      | 2 604 448 365 | Connecting Cable                             |              | 1     | -,-      | 1 12        |
| 99      | 2 603 410 051 | Thread-forming tap. Screw                    |              | 1     | -,-      | 4 10        |
| 105     | 2 604 690 060 | Torsion Spring                               |              | 1     | -,-      | 1 10        |
| 114     | 1 607 233 384 | EL luma module 230V                          |              | 1     | -,-      | 1 33        |
| 115     | 2 600 030 025 | Headlamp Switch                              |              | 1     | -,-      | 1 13        |
| 117     | 2 603 490 023 | Torx Oval-Head Screw 4x20                    |              | 1     | -,-      | 8 10        |
| 118     | 2 603 490 027 | Torx Oval-Head Screw 4x40                    |              | 1     | -,-      | 2 10        |
| 200     | 2 601 113 237 | Nameplate                                    |              | 1     | -,-      | 1 14        |
| 655     | 2 601 016 093 | Splintering Protector                        |              | 1     | -,-      | 1 14        |
| 660     | 2 605 730 061 | Suction Socket                               |              | 1     | -,-      | 1 28        |
| 661     | 2 605 510 296 | Covering hood                                |              | 1     | -,-      | 1 15        |
| 801     | 2 607 990 070 | Ejection Lever                               |              | 1     | -,-      | 1 23        |
| 810     | 2 604 320 918 | Carbon-Brush Set                             |              | 1     | -,-      | 1 24        |
| 813     | 1 607 233 5AP | Speed governor 110V                          |              | 1     | -,-      | 1 40        |
| 823     | 2 605 806 868 | Gear Housing                                 |              | 1     | -,-      | 1 45        |
| 828     | 2 602 098 024 | Tensioning Lever                             |              | 1     | -,-      | 1 19        |
| 845     | 2 601 321 911 | Roller Lever                                 |              | 1     | -,-      | 1 24        |
| 852     | 2 601 098 121 | Work Board                                   |              | 1     | -,-      | 1 28        |
| 854     | 2 602 026 909 | Rotary Knob BLACK                            |              | 1     | -,-      | 1 13        |
| 860     | 2 605 808 943 | Gear Cover                                   |              | 1     | -,-      | 1 49        |
| 866     | 1 600 A00 H4H | Lifting Rod                                  |              | 1     | -,-      | 1 45        |
| 880     | 2 601 099 256 | Base Plate                                   |              | 1     | -,-      | 1 42        |
| 880/85  | 2 602 317 067 | Clamping Piece                               |              | 1     | -,-      | 1 16        |
| 880/884 | 2 600 590 018 | Ratchet Cap                                  |              | 1     | -,-      | 1 14        |
| 881     | 2 601 099 900 | Work Board                                   |              | 1     | -,-      | 1 26        |