

Jig Saw - 3 601 E8H 010 - JS260

www.powertools-aftersaleservice.com

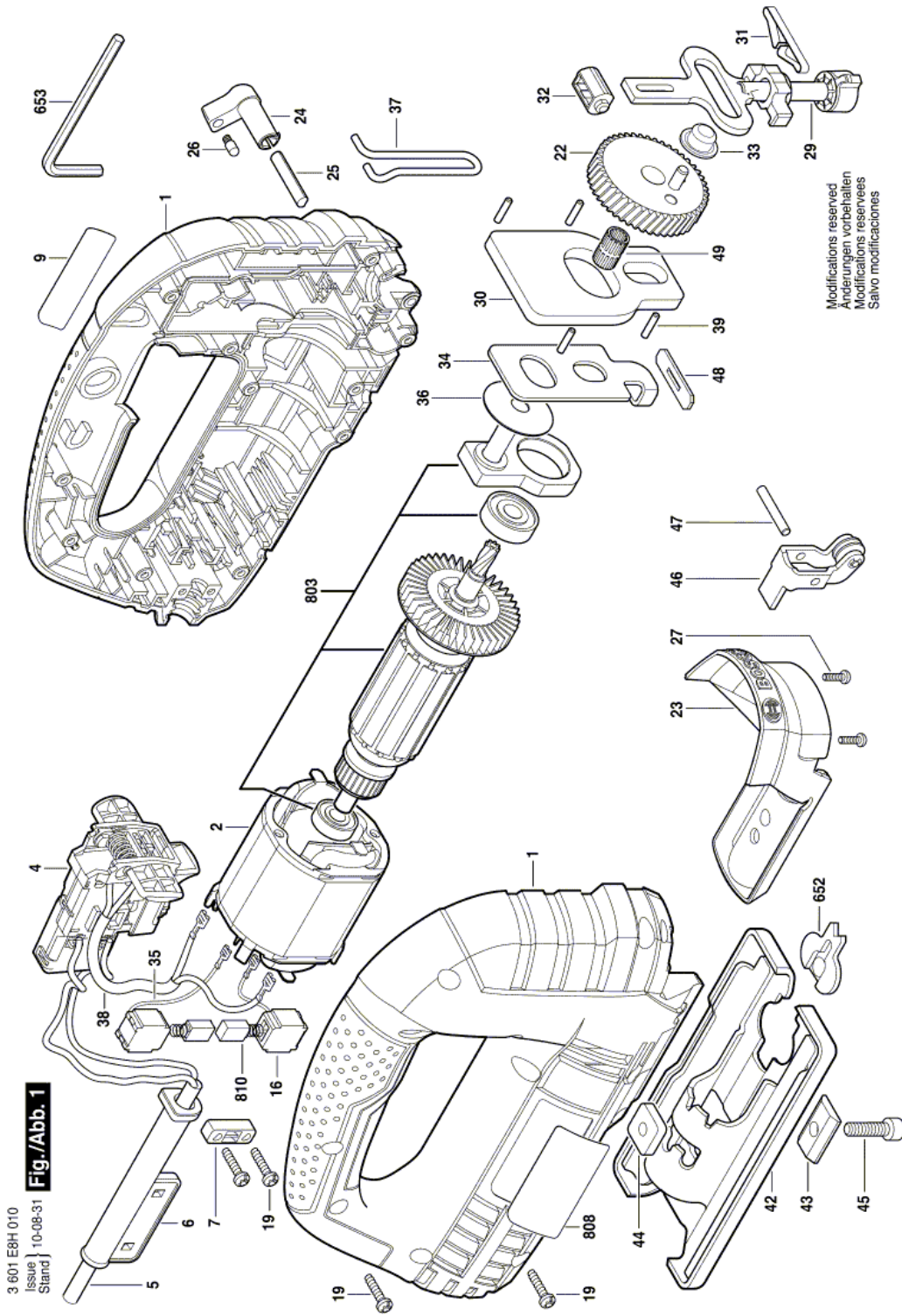


BOSCH

Item	Part Number	Description	Illustration	Price	Quantity	Price Group
1	1 619 X04 876	Housing Set	1	-,-	1	28
2	1 619 X03 049	Field 115V	1	-,-	1	25
4	1 619 X05 009	Switch	1	-,-	1	25
5	1 619 P07 350	Power supply cord USA/CAN/SMA 2,70m 2 x 0,82mm SJ 18/2	1	-,-	1	23
6	2 600 703 028	Grommet Ø7,6-Ø8,2x95 MM	1	-,-	1	11
7	2 601 035 001	Cable Clip	1	-,-	1	11
9	1 619 X04 884	Manufacturer's nameplate	1	-,-	1	-
16	1 619 X02 735	Brush Holder	1	-,-	2	12
19	2 610 315 386	Screw ST3,9x19	1	-,-	3	11
22	1 619 X04 872	Gear Unit	1	-,-	1	24
23	1 600 A00 XY2	Decorative Cover	1	-,-	1	20
24	1 619 X04 885	Lever	1	-,-	1	11
25	1 619 X03 695	Shaft	1	-,-	1	11
26	1 619 X03 196	Spring	1	-,-	1	11
27	1 619 P00 220	Torx Oval-Head Screw 3x10	1	-,-	2	10
29	2 600 780 173	Lifting Rod	1	-,-	1	35
30	1 619 X04 546	Counter Weight	1	-,-	1	15
31	1 604 612 01E	Compression Spring	1	-,-	1	11
32	1 619 X00 399	Bearing Block	1	-,-	1	10
33	2 600 914 022	Needle bearing	1	-,-	1	19
34	1 619 X04 542	Pusher	1	-,-	1	14
35	1 619 X03 396	Cable	1	-,-	2	11
36	1 619 X00 434	Wear Plate	1	-,-	1	11
37	1 619 X04 886	Protective Guard	1	-,-	1	13
38	1 619 X03 111	Cable Set	1	-,-	1	11
39	1 619 X04 547	Straight Pin	1	-,-	4	11
42	1 619 X05 094	Base Plate	1	-,-	1	-
43	2 601 030 019	Profile Beading	1	-,-	1	13
44	1 619 P07 163	fixing plate	1	-,-	1	10
45	1 619 X04 887	Hex Socket Head Cap Screw	1	-,-	1	12
46	1 619 P07 129	Roller Lever	1	-,-	1	24
47	1 619 P07 159	Bearing bolt	1	-,-	1	10
48	1 619 X04 574	Seal	1	-,-	1	12

Item	Part Number	Description	Illustration	Price	Quantity	Price Group
49	2 600 913 040	Needle-Roller Assembly	1	-,-	1	18
652	2 601 016 065	Splintering Protector	1	-,-	1	17
653	1 907 950 006	Offset Screwdriver DIN 911-SW5 BLACK	1	-,-	1	16
803	1 619 X05 280	Armature set 115V	1	-,-	1	37
808	1 619 X05 121	Nameplate	1	-,-	1	-
810	1 619 X03 193	Carbon-Brush Set	1	-,-	1	17

Illustration - Type E



Information subject to change without further notice.